

US00D407789S

United States Patent [19]
Holmberg et al.

[11] **Patent Number: Des. 407,789**
[45] **Date of Patent: **Apr. 6, 1999**

[54] **CONNECTOR UNIT**

5,524,547 6/1996 Kelly et al. 102/275.2 X
5,659,149 8/1997 Sutula, Jr. 102/275.7

[75] Inventors: **Roger Holmberg**, Gyttorp; **Tord Olsson**, Nora; **Allan Salåker**, Vikmanshyttan, all of Sweden

Primary Examiner—Alan P. Douglas
Assistant Examiner—Lavone D. Tabor
Attorney, Agent, or Firm—Milton Oliver; Ware, Fressola, Van Der Sluys & Adolphson LLP

[73] Assignee: **Nitro Nobel AB**, Gyttorp, Sweden

[**] Term: **14 Years**

[57] **CLAIM**

[21] Appl. No.: **51,962**

The ornamental design for a connector unit, as shown and described.

[22] Filed: **Mar. 20, 1996**

DESCRIPTION

[30] **Foreign Application Priority Data**

Sep. 20, 1995 [SE] Sweden 95-1770

FIG. 1 is a perspective view of the connector unit of this invention;

[51] **LOC (6) Cl.** **22-03**

FIG. 2 is a top plan view of the connector unit of this invention;

[52] **U.S. Cl.** **D22/112; D8/356**

FIG. 3 is a left side elevation view of the connector unit;

[58] **Field of Search** D13/133; D8/356,
D8/367, 394; 102/275.2, 275.3, 275.7, 275.12;
D22/112, 199

FIG. 4 is a right side elevation view of the connector unit;

FIG. 5 is a rear view of the connector unit;

FIG. 6 is a bottom plan view of the connector unit;

FIG. 7 is a front view of the connector unit; and,

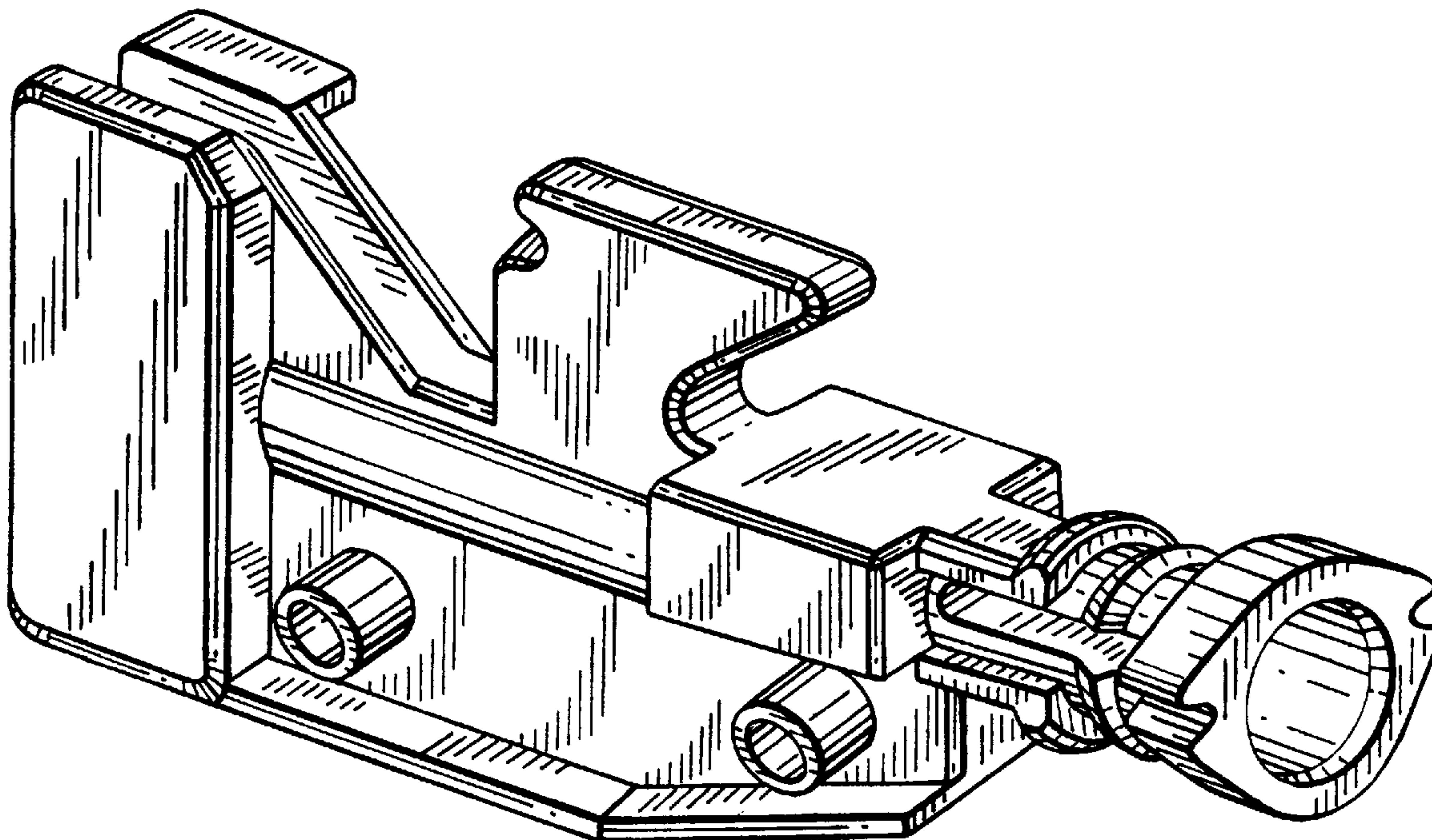
FIG. 8 is a cross-sectional view of the connector unit.

[56] **References Cited**

U.S. PATENT DOCUMENTS

5,192,828 3/1993 Austin et al. 102/275.12

1 Claim, 3 Drawing Sheets



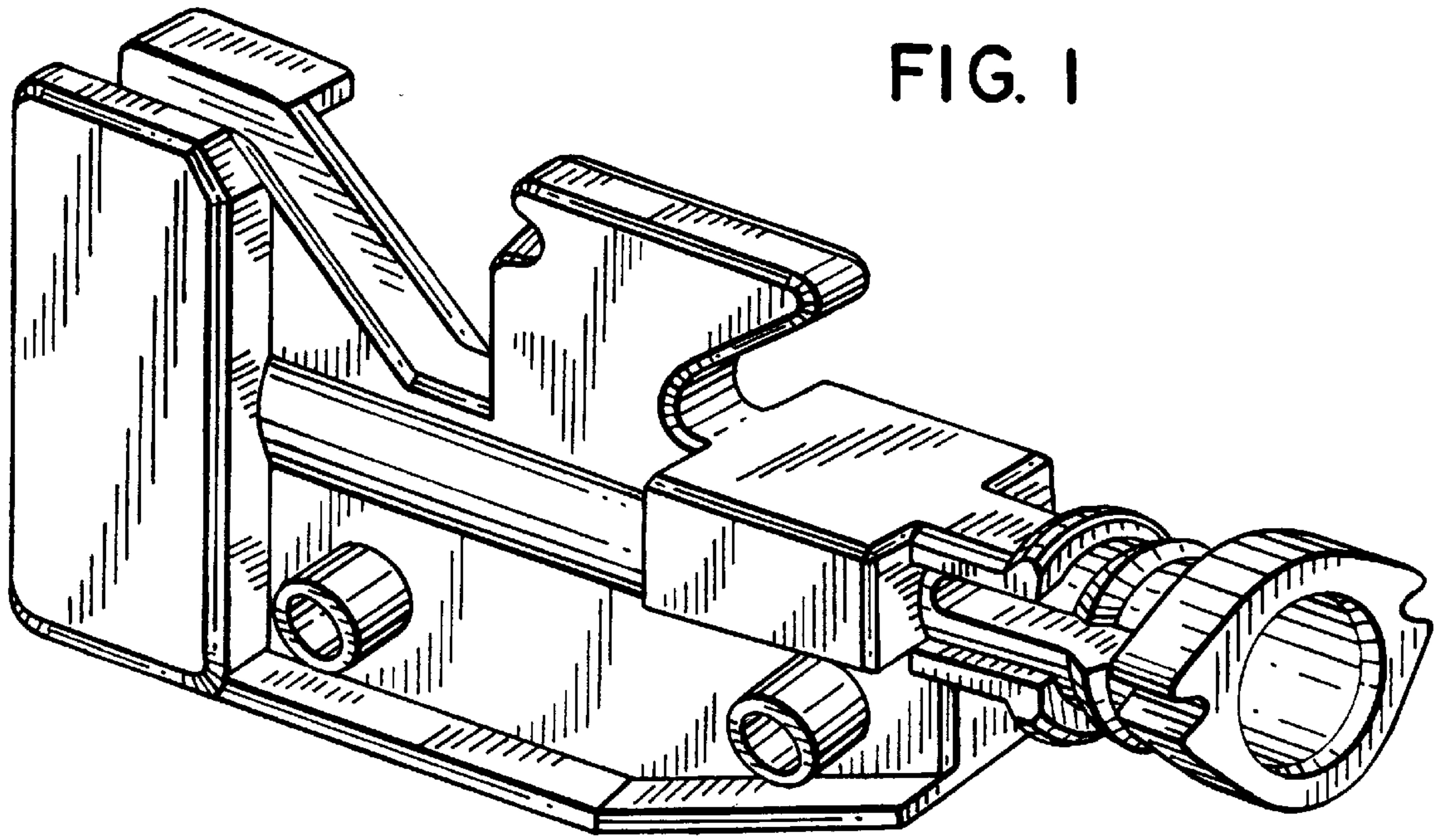


FIG. 1

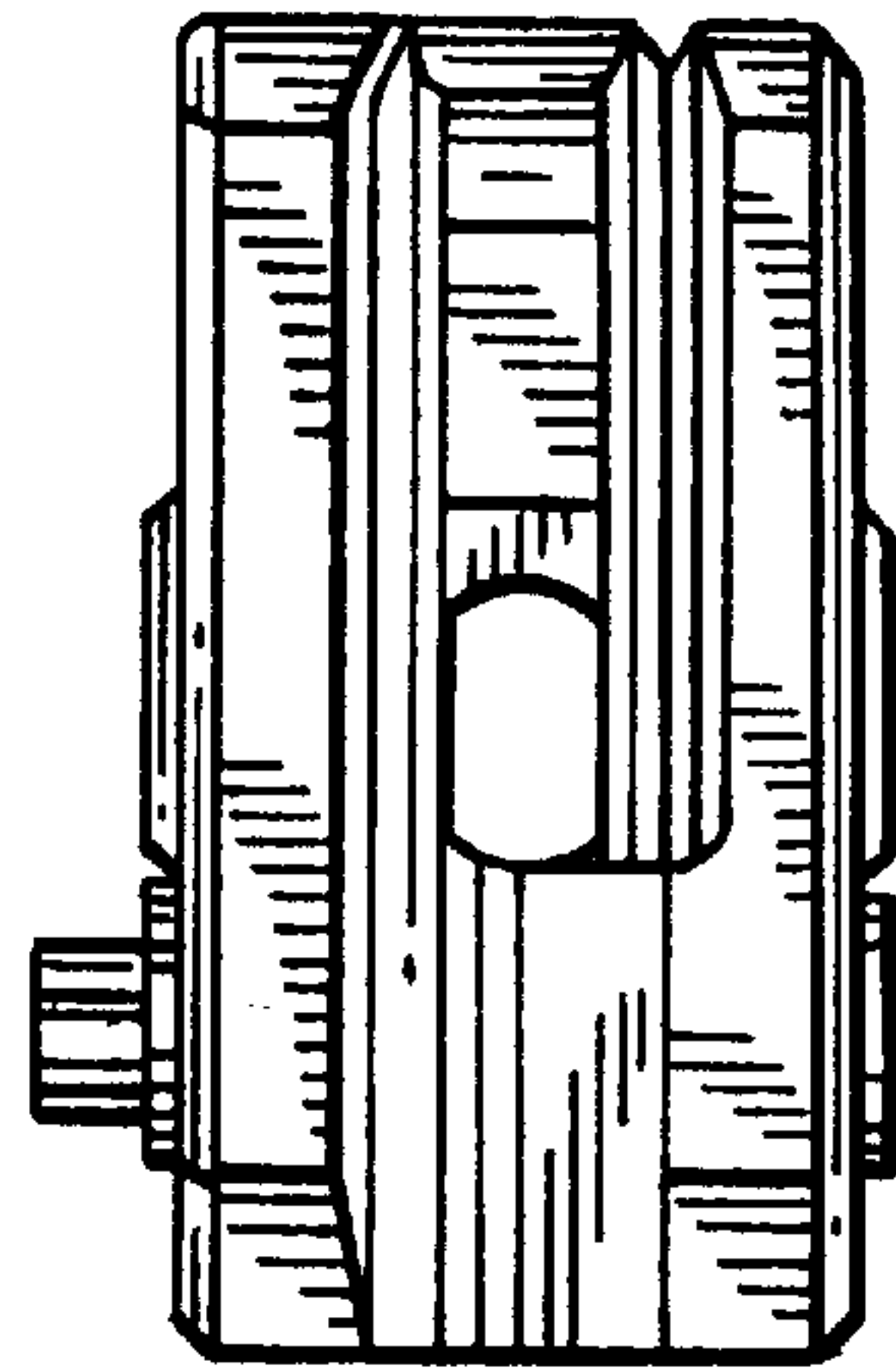


FIG. 2

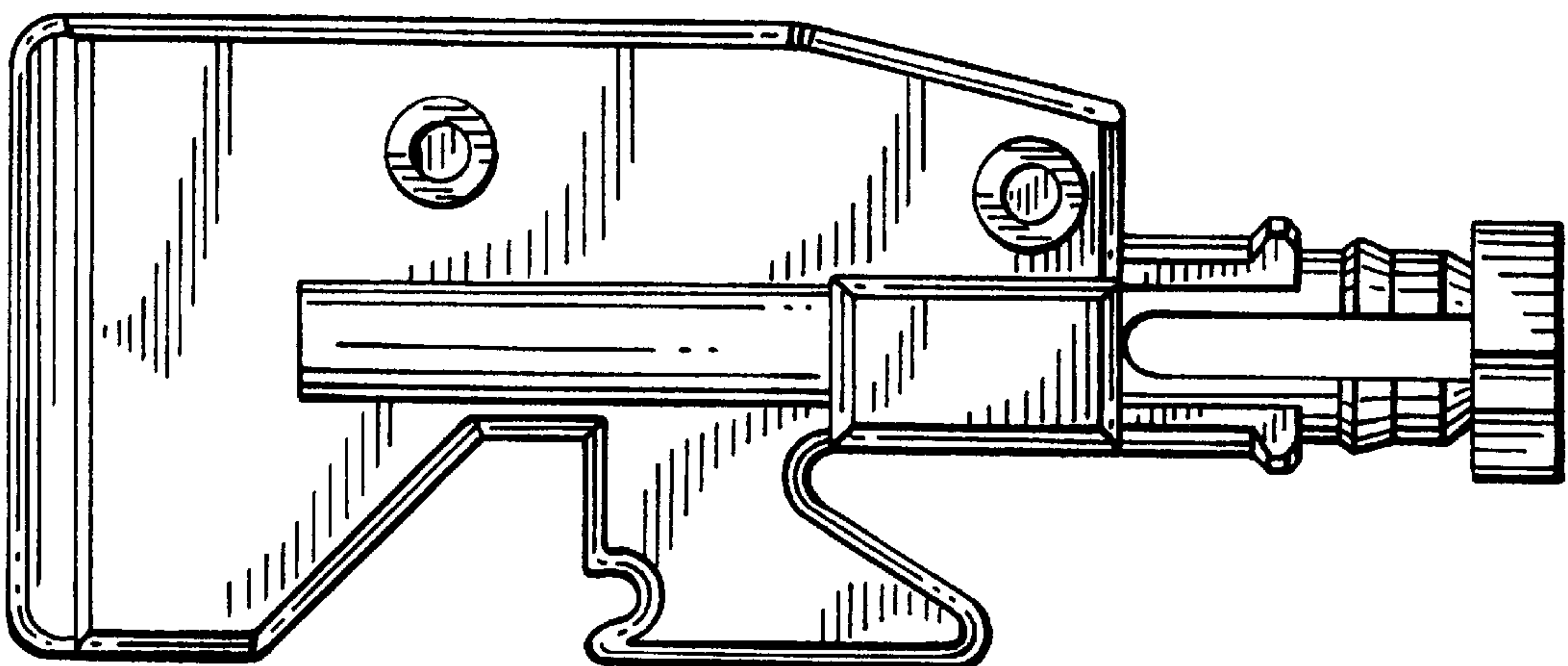


FIG. 3

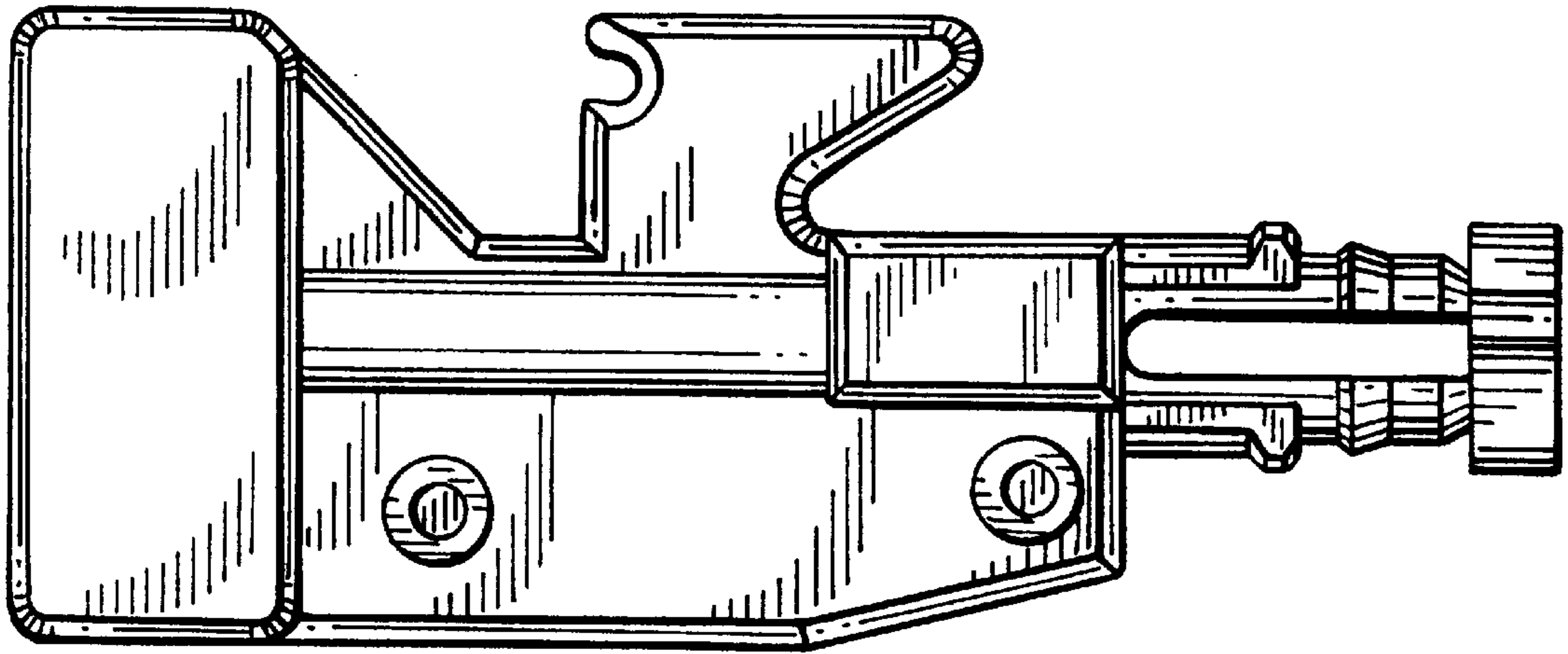


FIG. 4

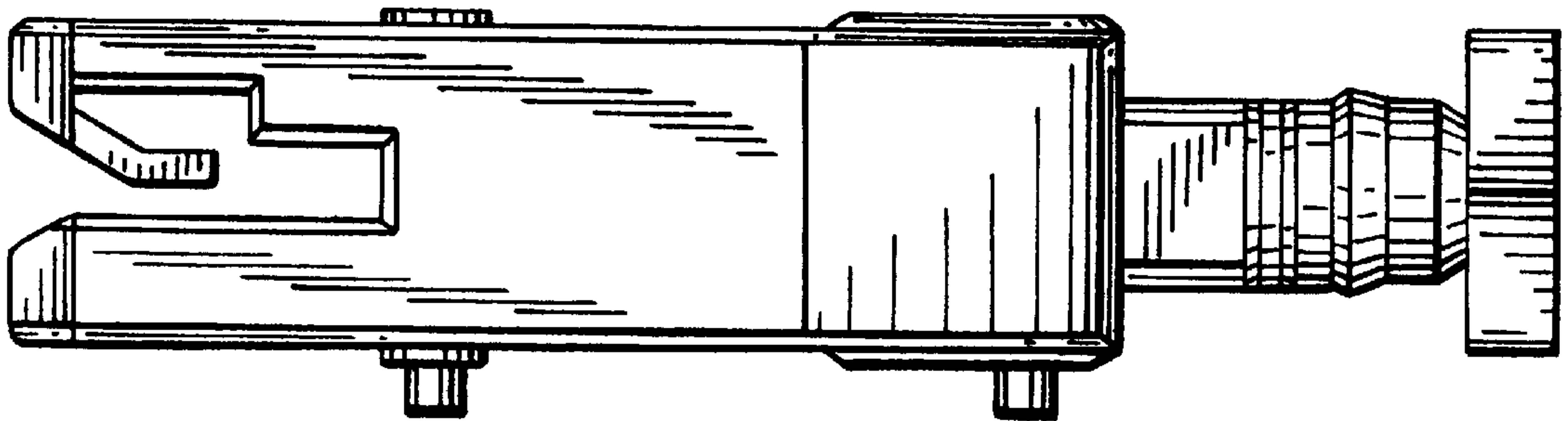


FIG. 5

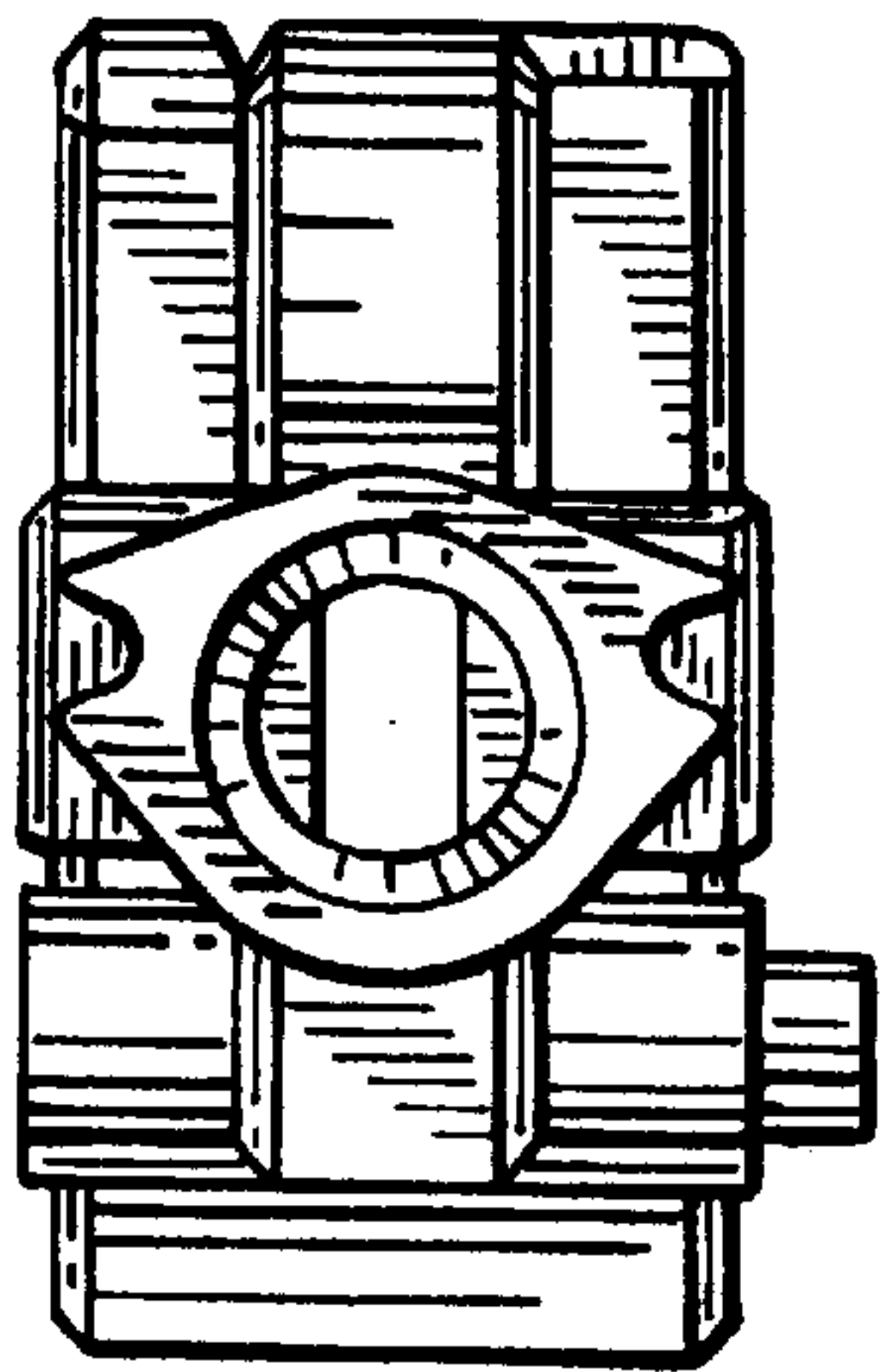


FIG. 6

FIG. 7

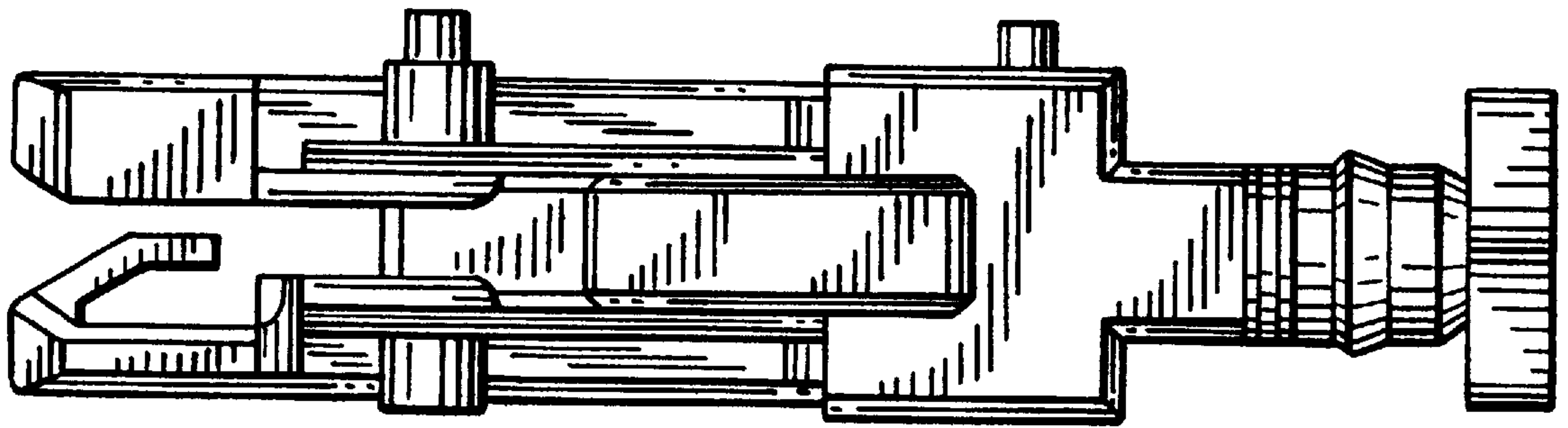


FIG. 8

