

US00D407787S

United States Patent [19]
Osburne et al.

[11] **Patent Number: Des. 407,787**
[45] **Date of Patent: **Apr. 6, 1999**

[54] **CLIMBING STRUCTURE**

[76] Inventors: **Jack M. Osburne**, 1375 Winding Ridge Ter.; **Joanne Lasage**, 2415 Ramsgate Ter., both of Colorado Springs, Colo. 80919

[**] Term: **14 Years**

[21] Appl. No.: **21,995**

[22] Filed: **Apr. 28, 1994**

Related U.S. Application Data

[63] Continuation of Ser. No. 9,224, Jun. 10, 1993, abandoned.

[51] **LOC (6) Cl. 21-03**

[52] **U.S. Cl. D21/826**

[58] **Field of Search D21/811, 826, D21/827; 482/35, 36**

[56] **References Cited**

U.S. PATENT DOCUMENTS

D. 173,173	10/1954	Rink	D21/826
D. 188,201	6/1960	Epstein	D21/826
D. 227,792	7/1973	Henning et al.	D21/826
D. 289,927	5/1987	Bradford	D21/826

3,113,400	12/1963	Emond	D21/826 X
3,485,494	12/1969	Lieberman .	
3,666,266	5/1972	Noguchi .	
4,497,484	2/1985	West .	
4,721,299	1/1988	Schlientz .	
4,815,727	3/1989	Kiribuchi .	

OTHER PUBLICATIONS

Brochure distributed by American Inventors Corporation approximately during Aug. 1993.

Primary Examiner—Philip S. Hyder
Assistant Examiner—Mitchell I. Siegel

[57] **CLAIM**

The ornamental design for a climbing structure, as shown and described.

DESCRIPTION

FIG. 1 is a front elevational view of the climbing structure showing our new design;
FIG. 2 is a rear elevational view thereof;
FIG. 3 is a left side elevational view thereof;
FIG. 4 is a right side elevational view thereof;
FIG. 5 is a top plan view thereof; and,
FIG. 6 is a bottom plan view thereof.

1 Claim, 3 Drawing Sheets

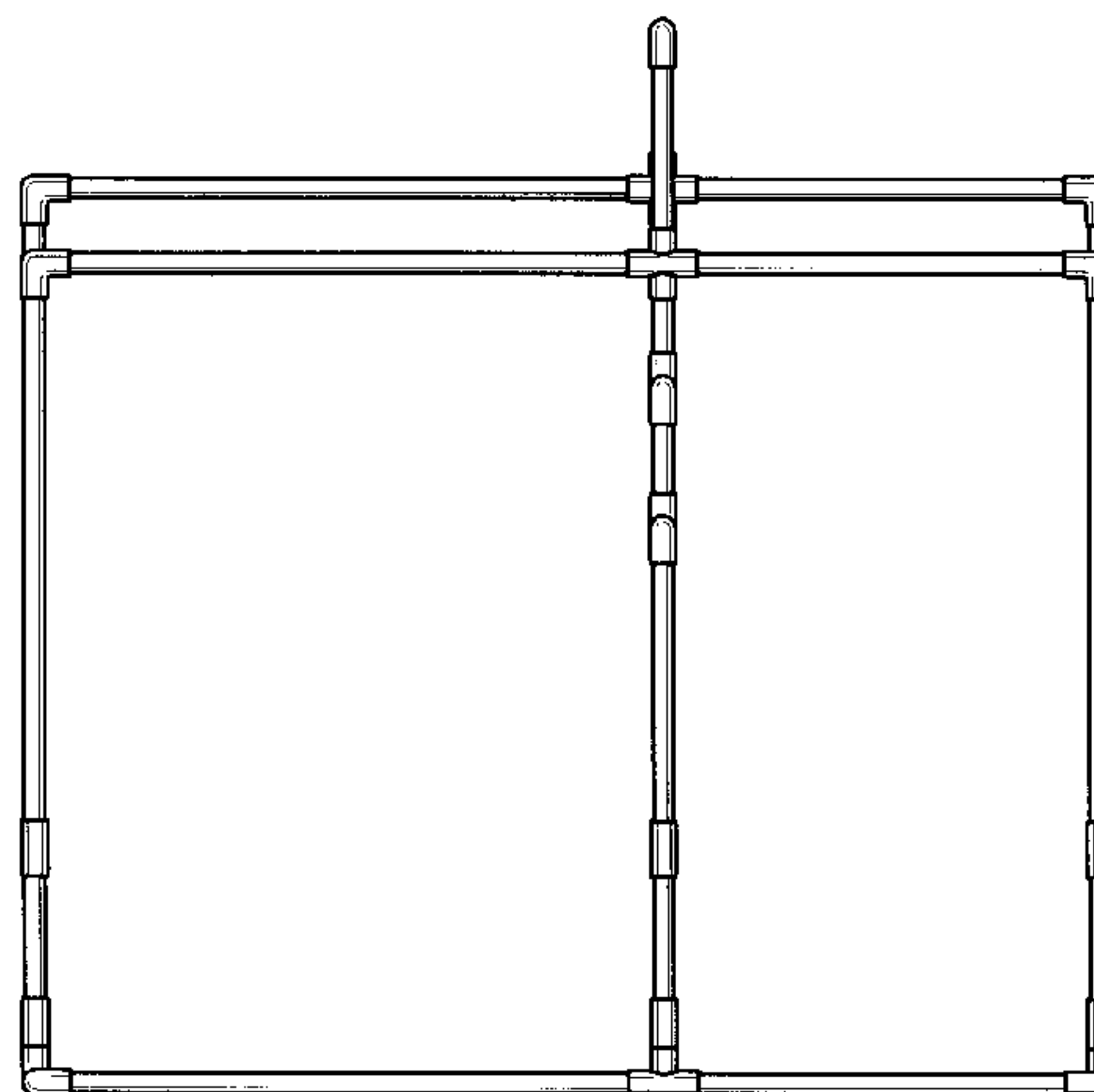
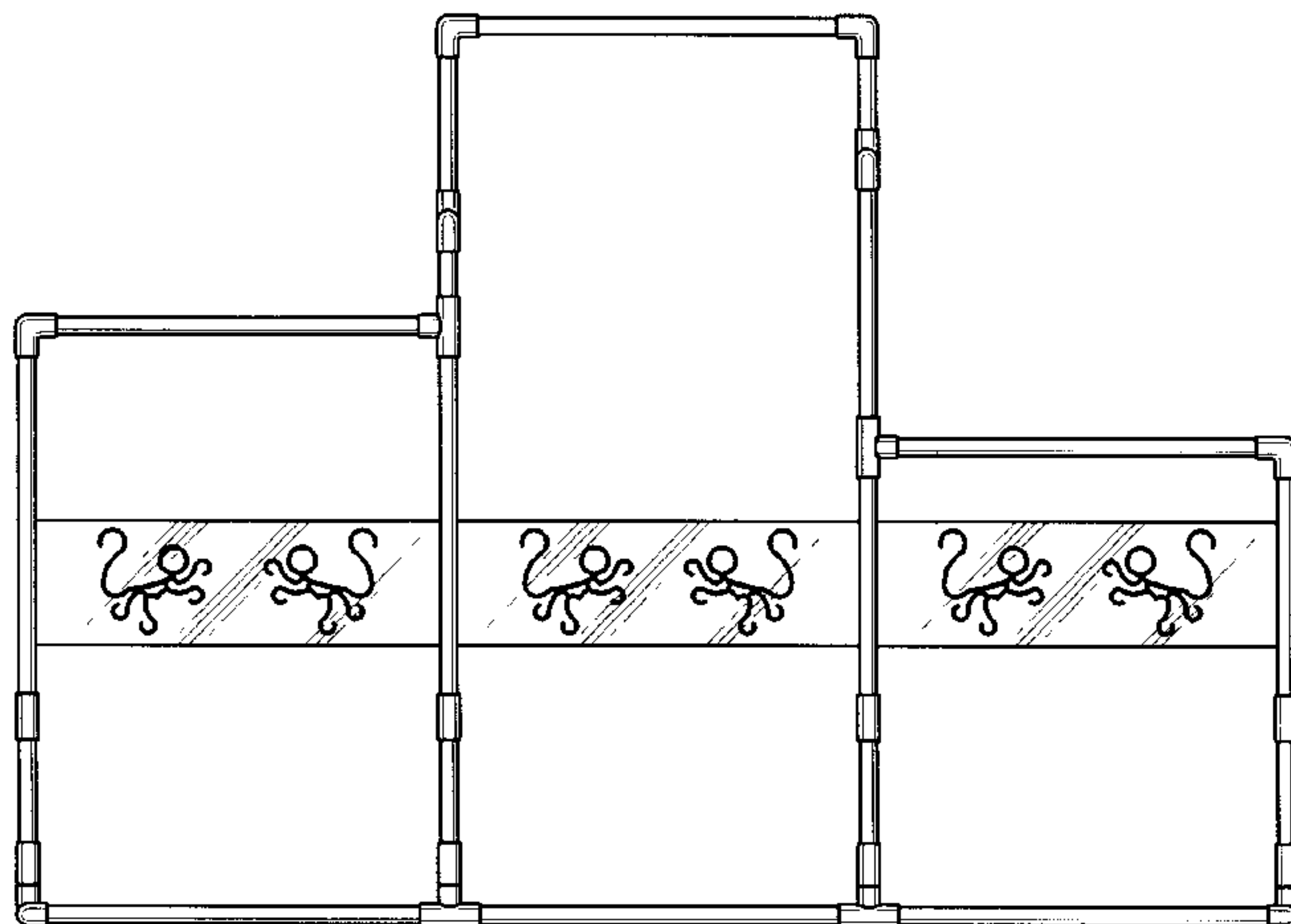


FIG. 1

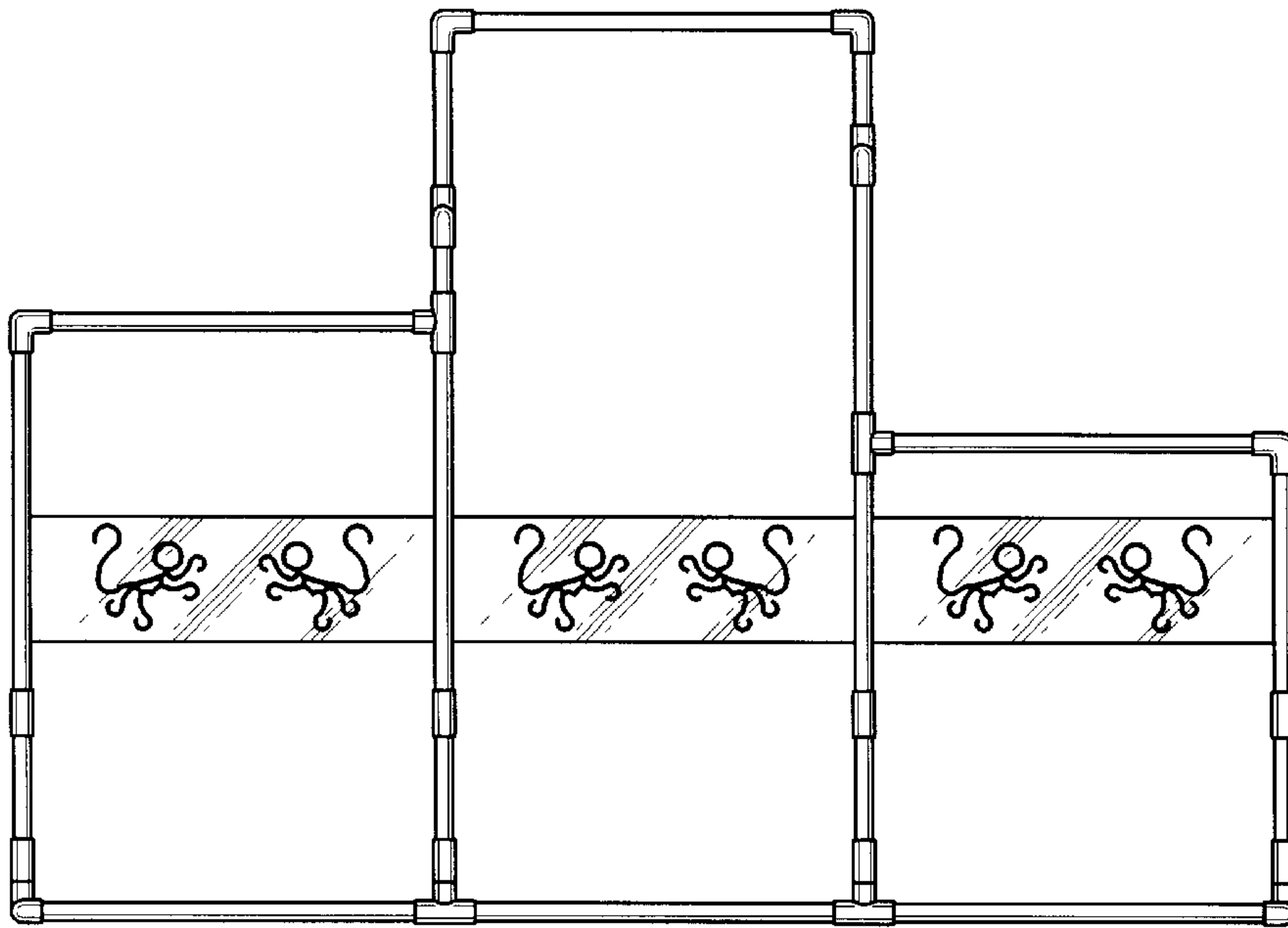


FIG. 2

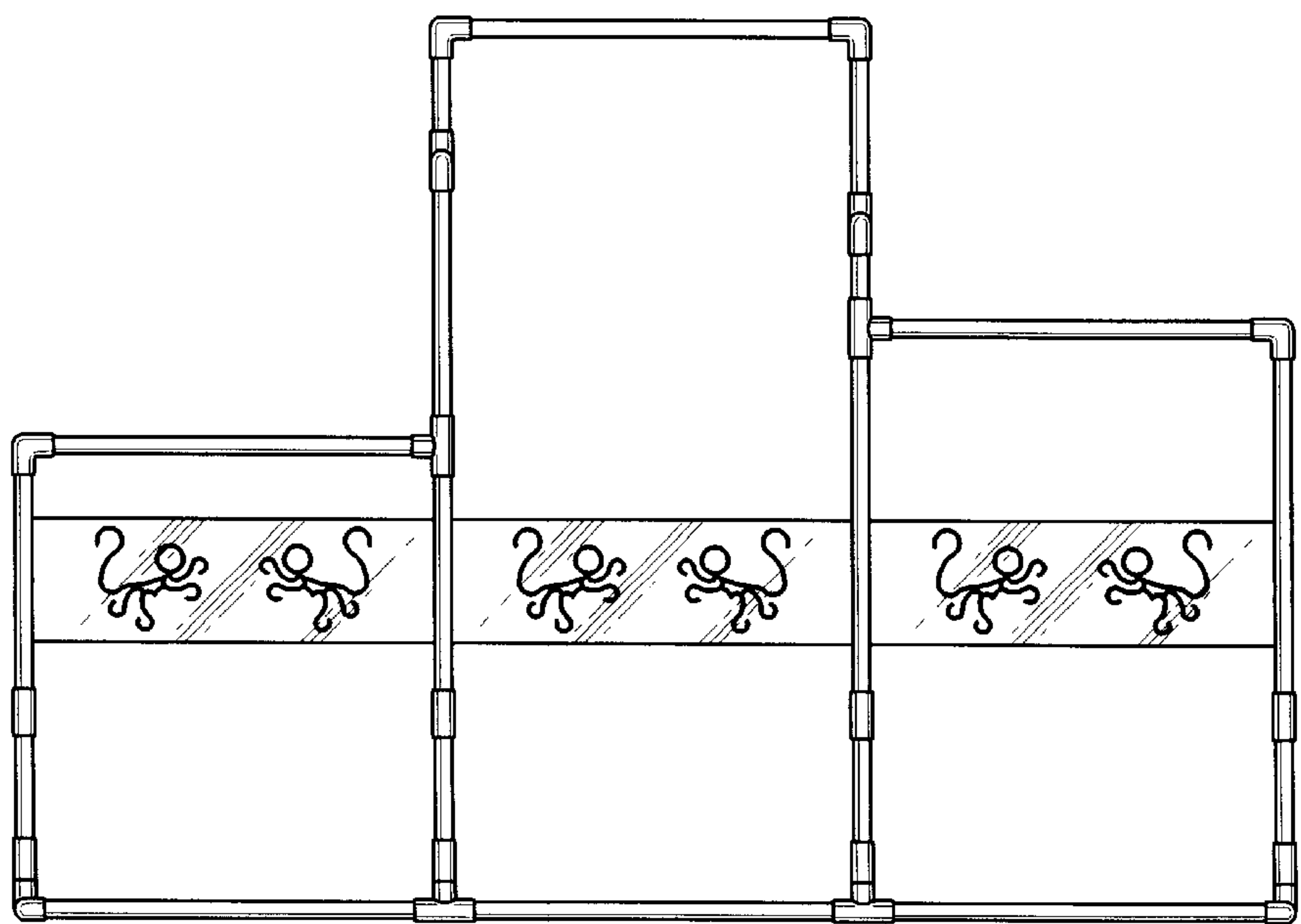


FIG. 3

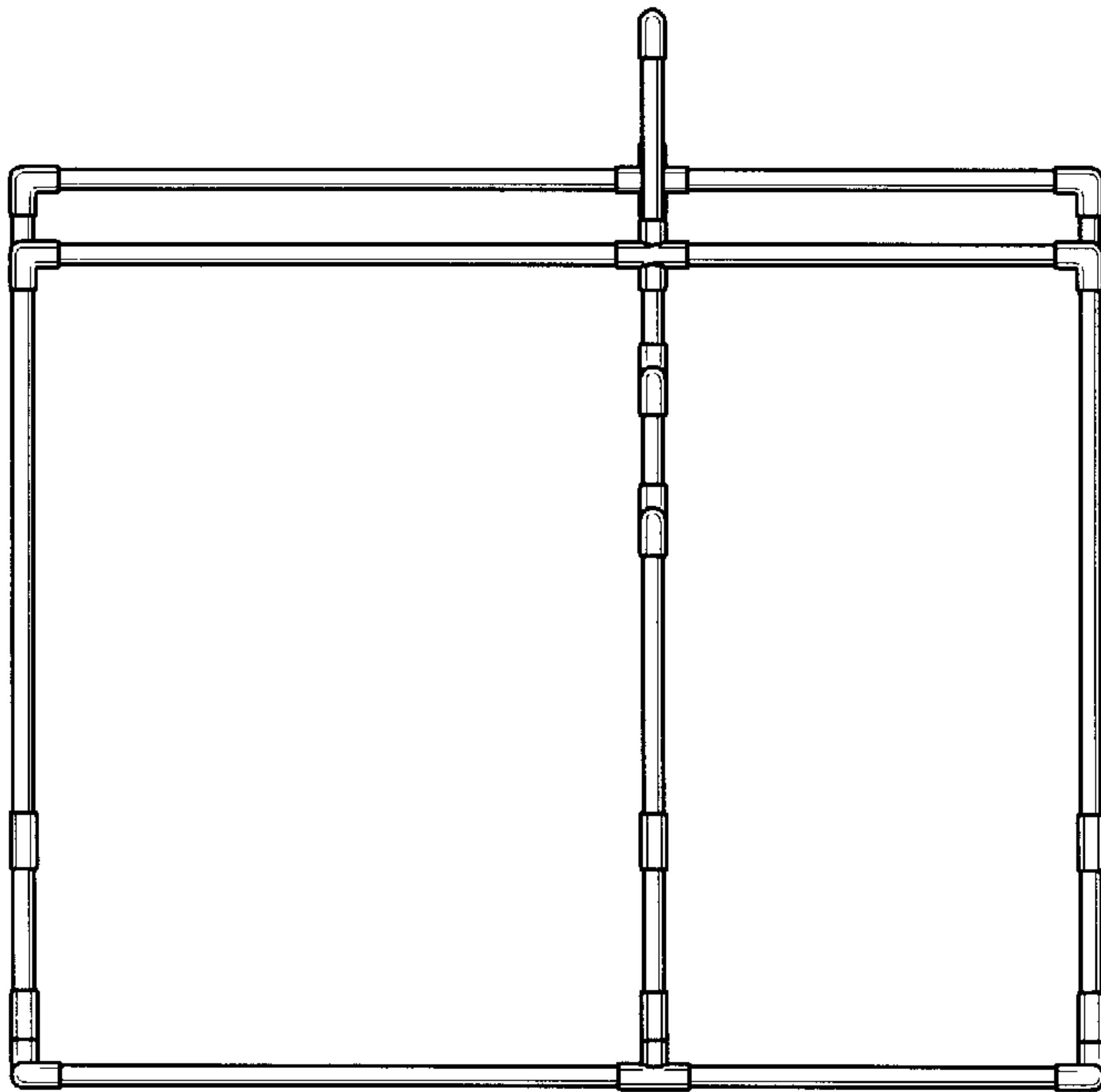


FIG. 4

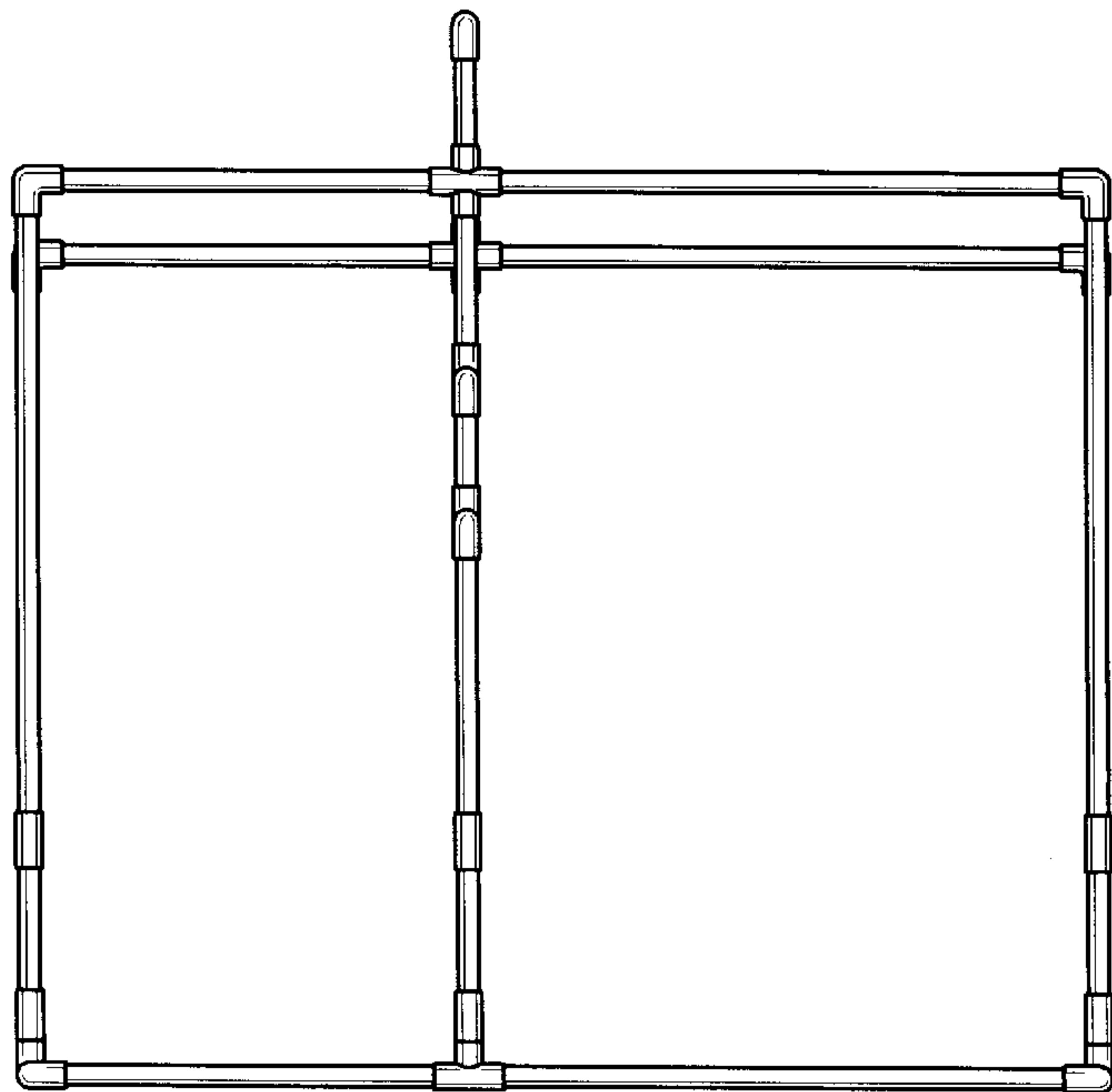


FIG. 5

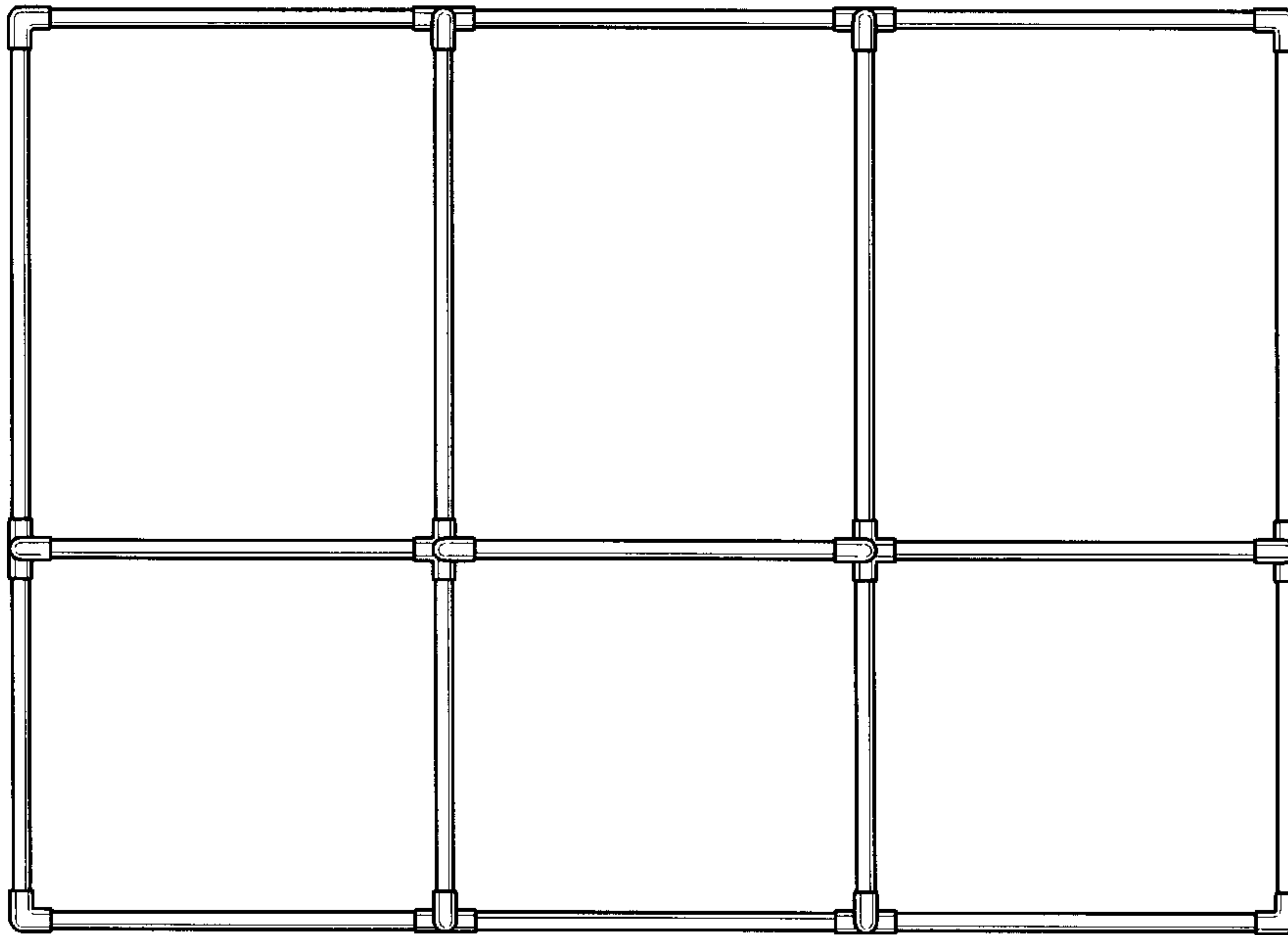
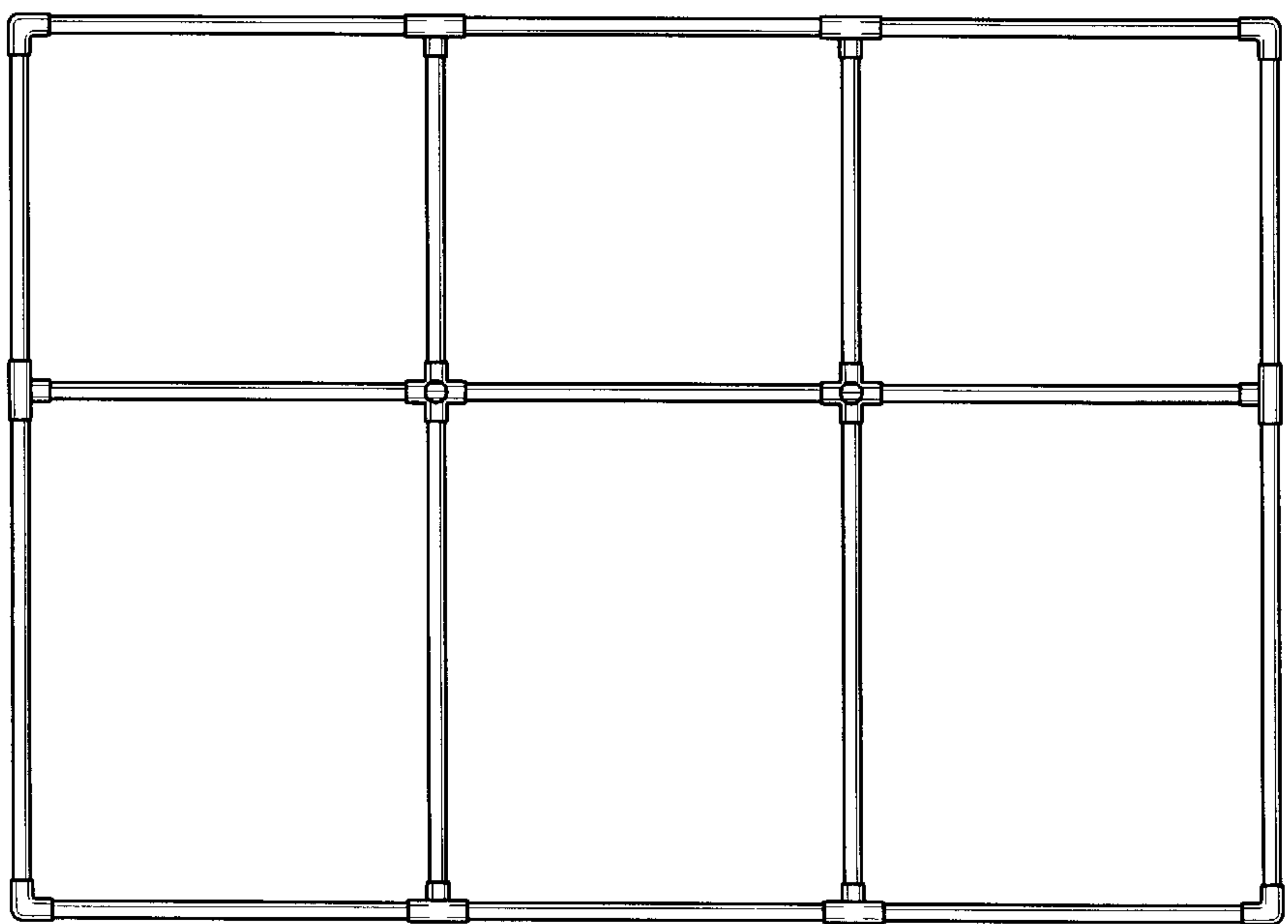


FIG. 6



UNITED STATES PATENT AND TRADEMARK OFFICE
CERTIFICATE OF CORRECTION

Page 1 of 3

PATENT NO. : Des. 407,787
DATED : April 6, 1999
INVENTOR(S) : Osburne et al.

It is certified that error appears in the above-identified patent and that said Letters Patent is hereby corrected as shown below:

The title page should be deleted to appear as per attached title page.

Please delete drawing sheet 1 of 3 and substitute drawing sheet 1 of 3 as per attached.

Signed and Sealed this
Twenty-fourth Day of August, 1999

Attest:



Q. TODD DICKINSON

Attesting Officer

Acting Commissioner of Patents and Trademarks



US00D407787S

United States Patent [19]
Osburne et al.

[11] **Patent Number:** **Des. 407,787**
[45] **Date of Patent:** ****Apr. 6, 1999**

[54] **CLIMBING STRUCTURE**

[76] **Inventors:** **Jack M. Osburne**, 1375 Winding Ridge Ter.; **Joanne Lasage**, 2415 Ramsgate Ter., both of Colorado Springs, Colo. 80919

[**] **Term:** **14 Years**

[21] **Appl. No.:** **21,995**

[22] **Filed:** **Apr. 28, 1994**

Related U.S. Application Data

[63] Continuation of Ser. No. 9,224, Jun. 10, 1993, abandoned.

[51] **LOC (6) CL.** **21-03**

[52] **U.S. Cl.** **D21/826**

[58] **Field of Search** **D21/811, 826, D21/827; 482/35, 36**

[56] **References Cited**

U.S. PATENT DOCUMENTS

D. 173,173	10/1954	Rink	D21/826
D. 188,201	6/1960	Epstein	D21/826
D. 227,792	7/1973	Henning et al.	D21/826
D. 289,927	5/1987	Bradford	D21/826

3,113,400	12/1963	Emond	D21/826 X
3,485,494	12/1969	Lieberman	.	
3,666,266	5/1972	Noguchi	.	
4,497,484	2/1985	West	.	
4,721,299	1/1988	Schlientz	.	
4,815,727	3/1989	Kiribuchi	.	

OTHER PUBLICATIONS

Brochure distributed by American Inventors Corporation approximately during Aug. 1993.

Primary Examiner—Philip S. Hyder
Assistant Examiner—Mitchell I. Siegel

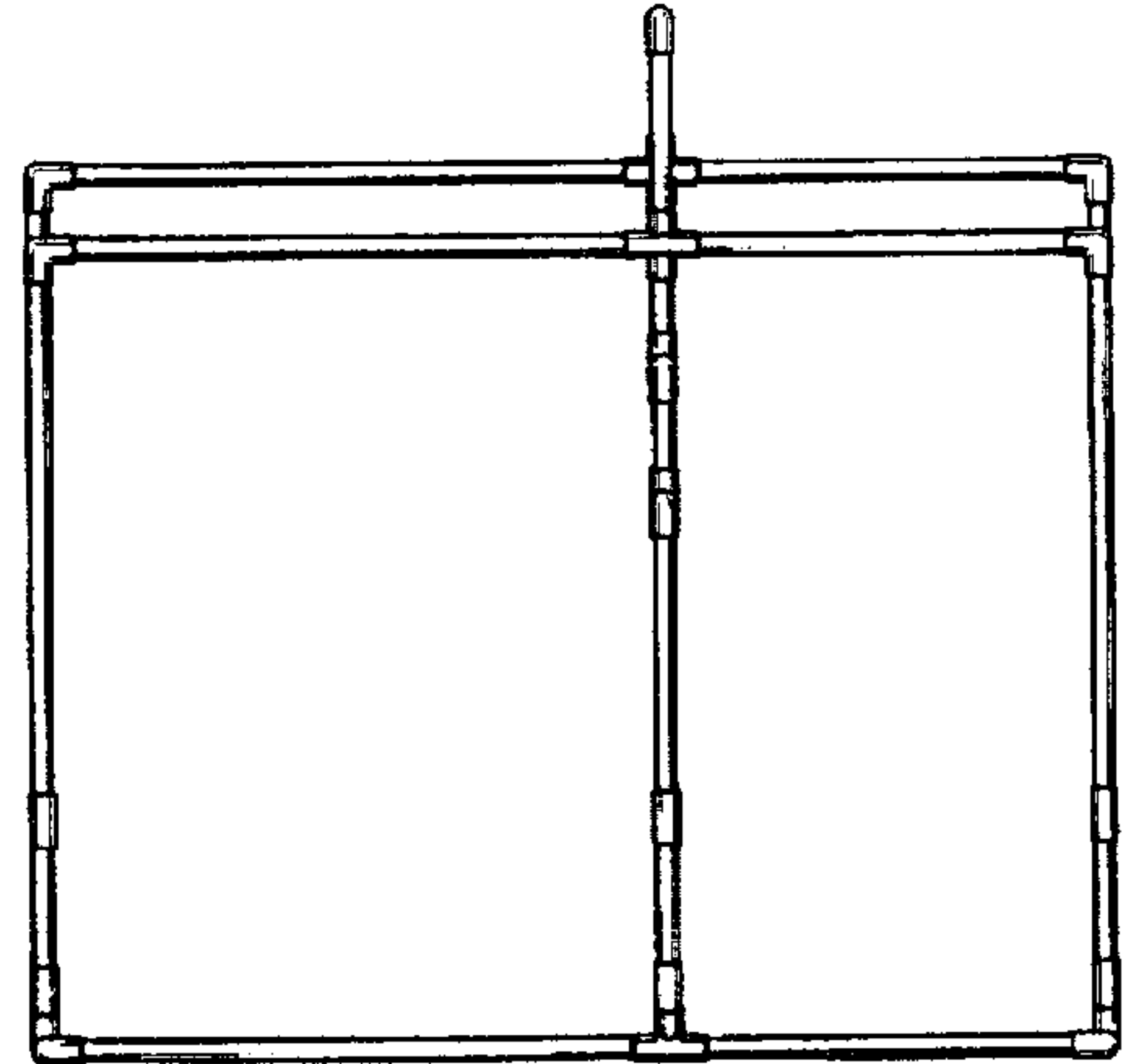
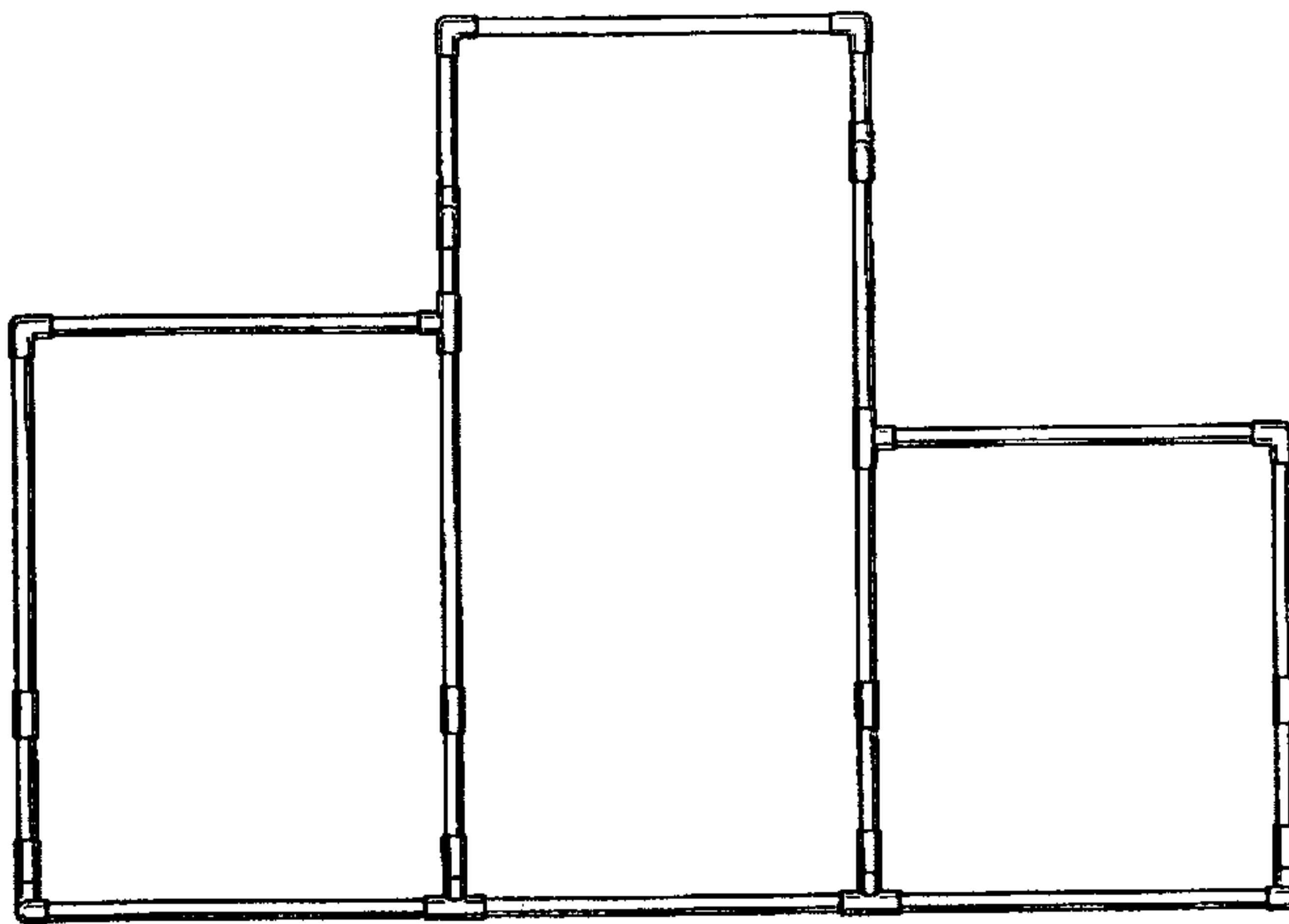
[57] **CLAIM**

The ornamental design for a climbing structure, as shown and described.

DESCRIPTION

FIG. 1 is a front elevational view of the climbing structure showing our new design;
FIG. 2 is a rear elevational view thereof;
FIG. 3 is a left side elevational view thereof;
FIG. 4 is a right side elevational view thereof;
FIG. 5 is a top plan view thereof; and,
FIG. 6 is a bottom plan view thereof.

1 Claim, 3 Drawing Sheets



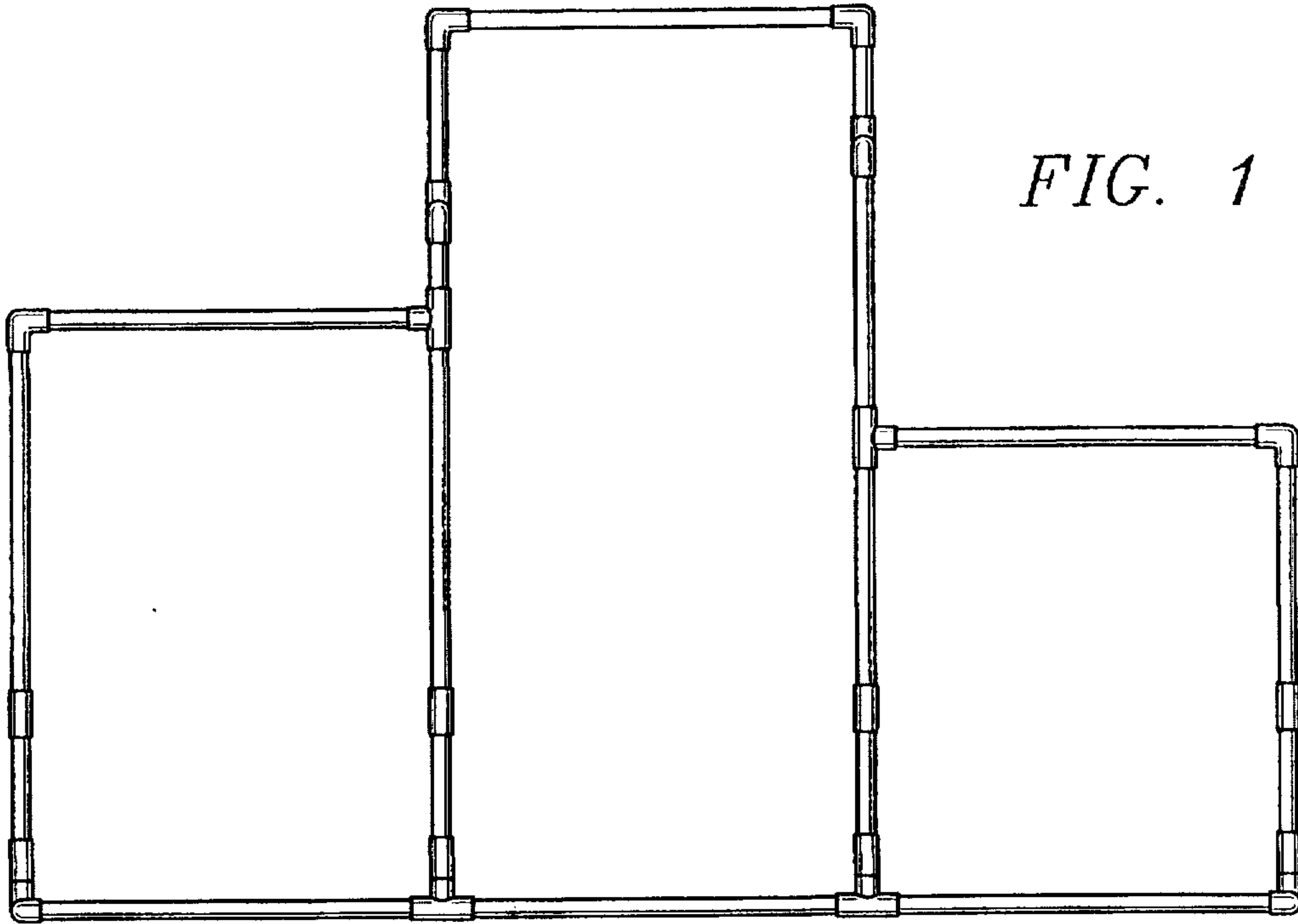


FIG. 1

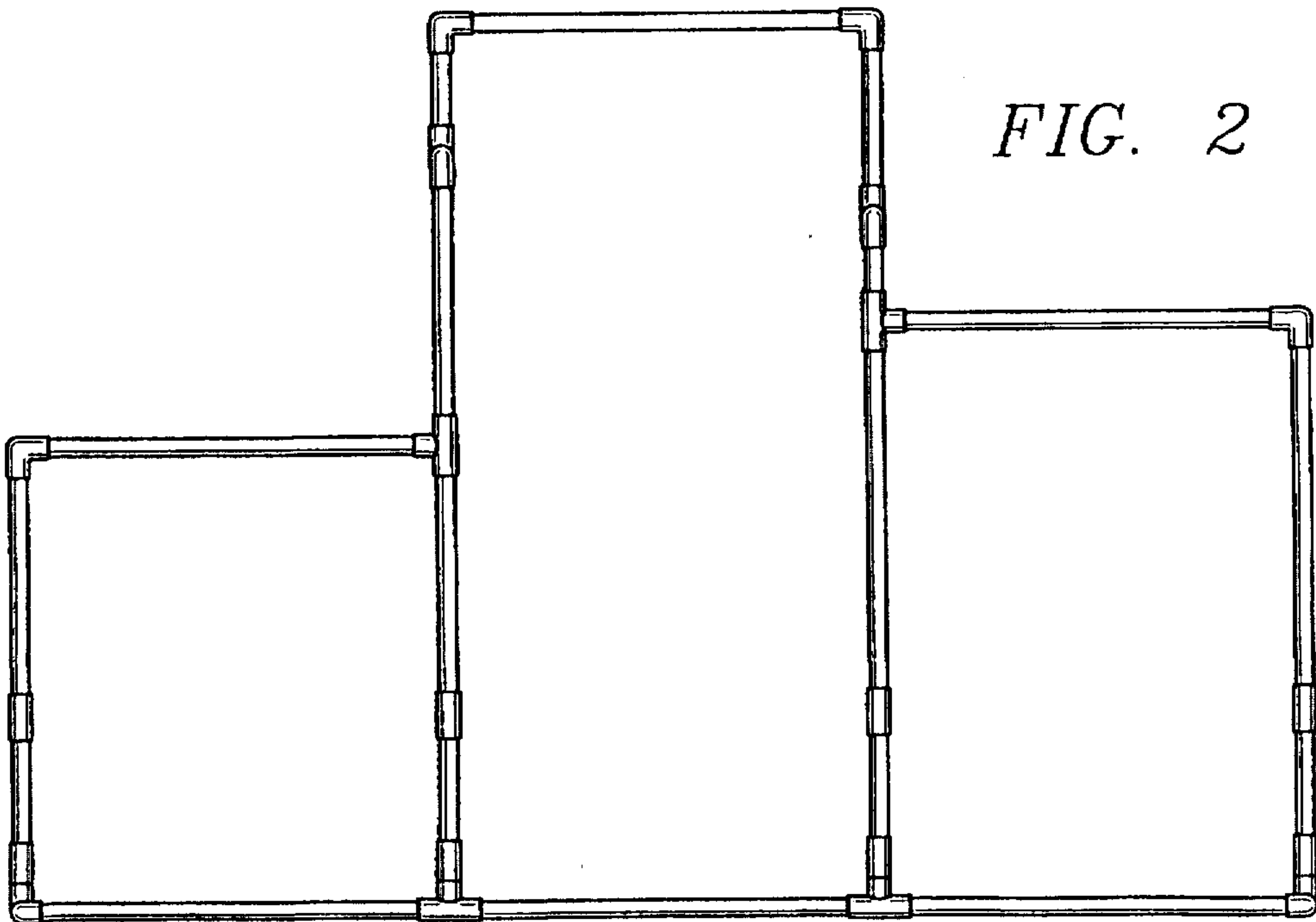


FIG. 2