



US00D407786S

United States Patent [19]
Romanaldi

[11] **Patent Number: Des. 407,786**

[45] **Date of Patent: **Apr. 6, 1999**

[54] **AMUSEMENT CAR RIDE RACE TRACK**

D. 251,132 2/1979 Reverchon D21/811
D. 327,936 7/1992 House, Jr. et al. D21/829
5,251,910 10/1993 Lamanna 273/442

[75] Inventor: **Massimo Romanaldi,**
Brendola-Vicenza, Italy

Primary Examiner—Ted Shooman
Assistant Examiner—Mitchell I. Siegel
Attorney, Agent, or Firm—Kenyon & Kenyon

[73] Assignee: **Antonio Zamperla s.p.a.,** Vicenza,
Italy

[**] Term: **14 Years**

[57] **CLAIM**

The ornamental design for an amusement car ride race track, as shown and described.

[21] Appl. No.: **66,154**

DESCRIPTION

[22] Filed: **Feb. 4, 1997**

[51] **LOC (6) Cl.** **21-03**

FIG. 1 is a perspective view of an amusement car ride race track showing my new design;

[52] **U.S. Cl.** **D21/814**

FIG. 2 is a front view of the amusement car ride race track; FIG. 3 is a left side view of the amusement car ride race track, the right side view being a mirror image thereof; and, FIG. 4 is a top plan view of the amusement car ride race track.

[58] **Field of Search** D21/240, 242,
D21/811, 814, 828, 830, 833; 273/442;
472/43

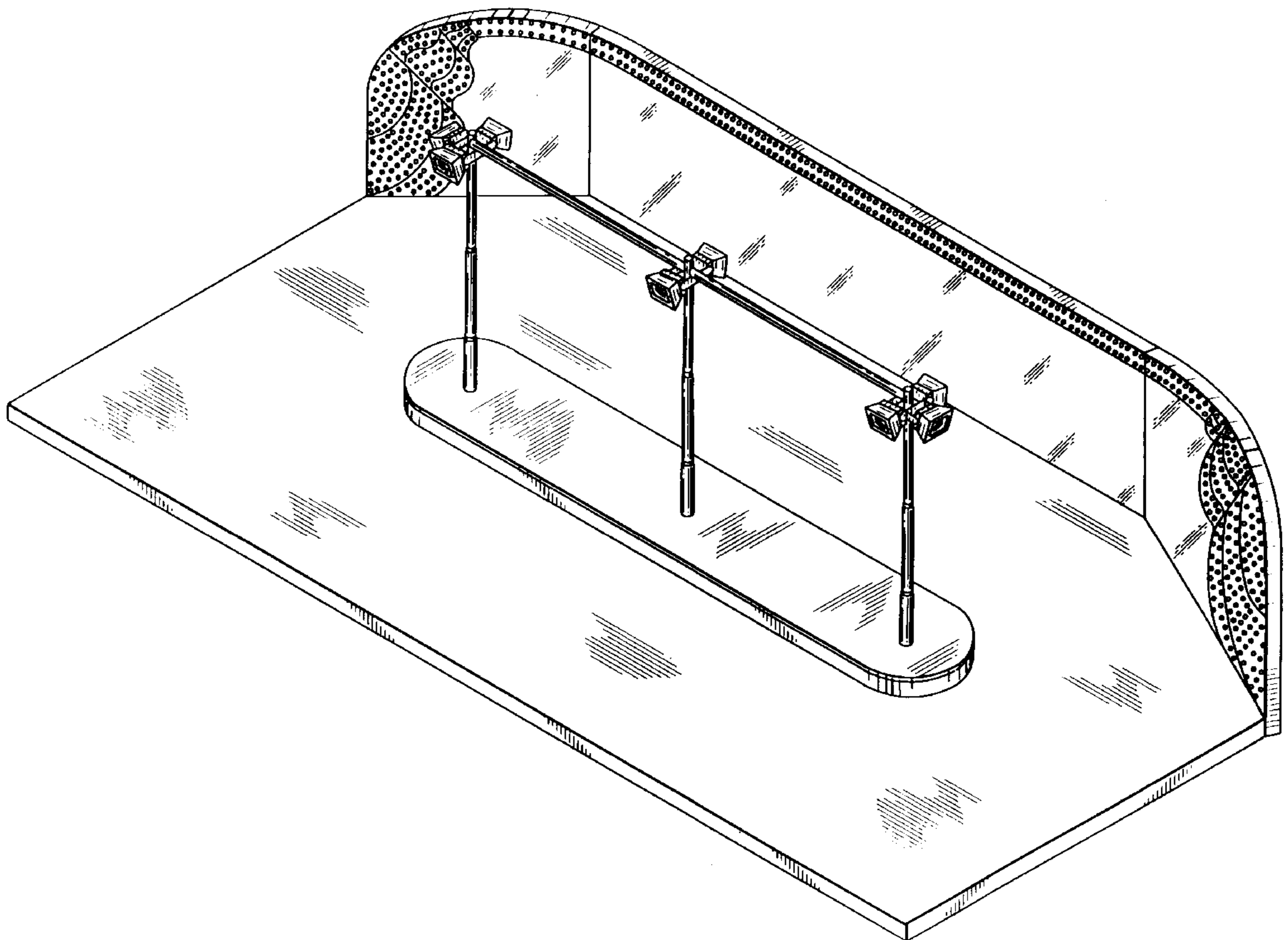
The undisclosed portions of the rear and bottom of the amusement car ride race track forms no part of the claimed design.

[56] **References Cited**

U.S. PATENT DOCUMENTS

D. 115,224 6/1939 Wendler D21/830

1 Claim, 4 Drawing Sheets



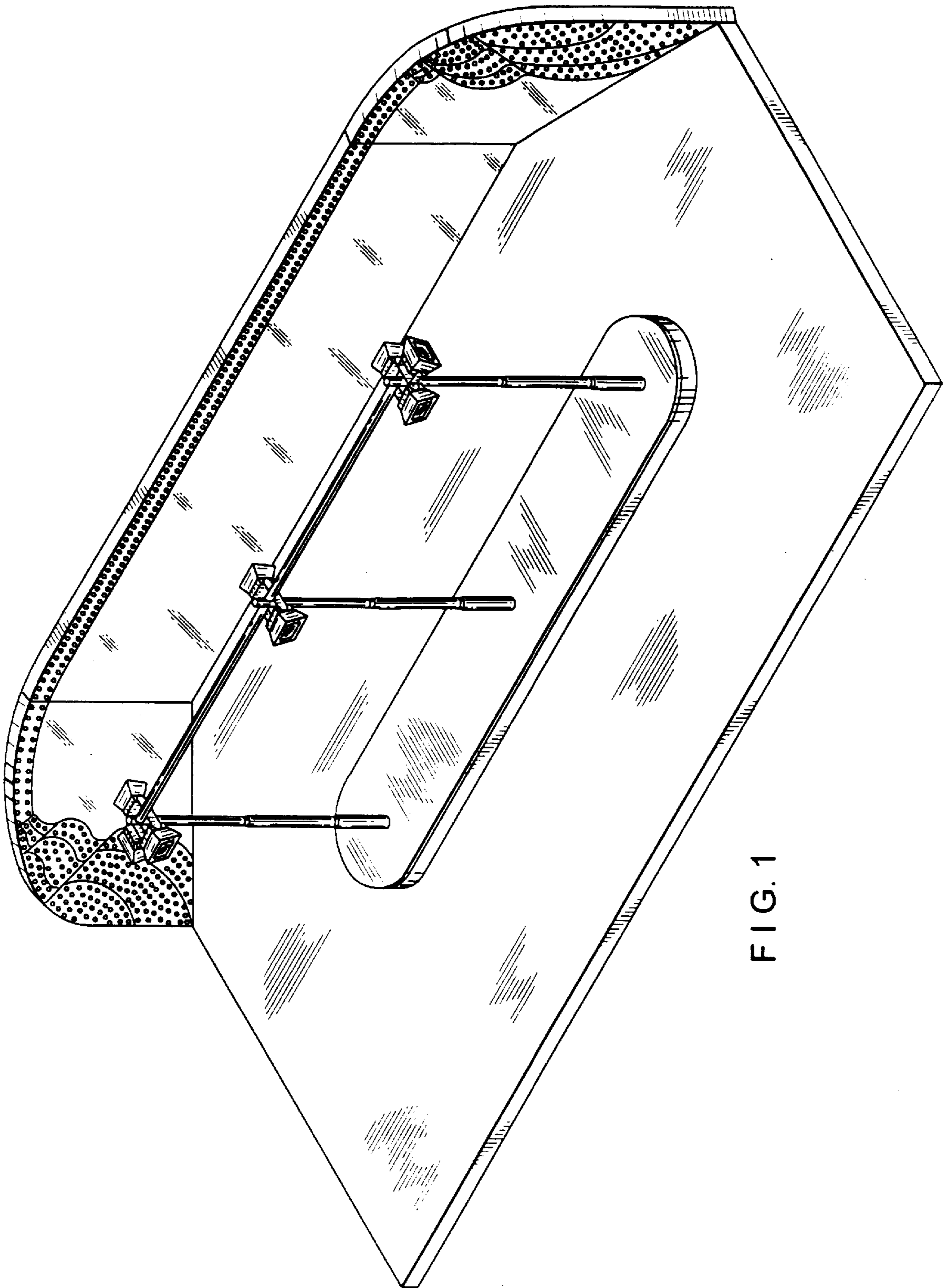


FIG. 1

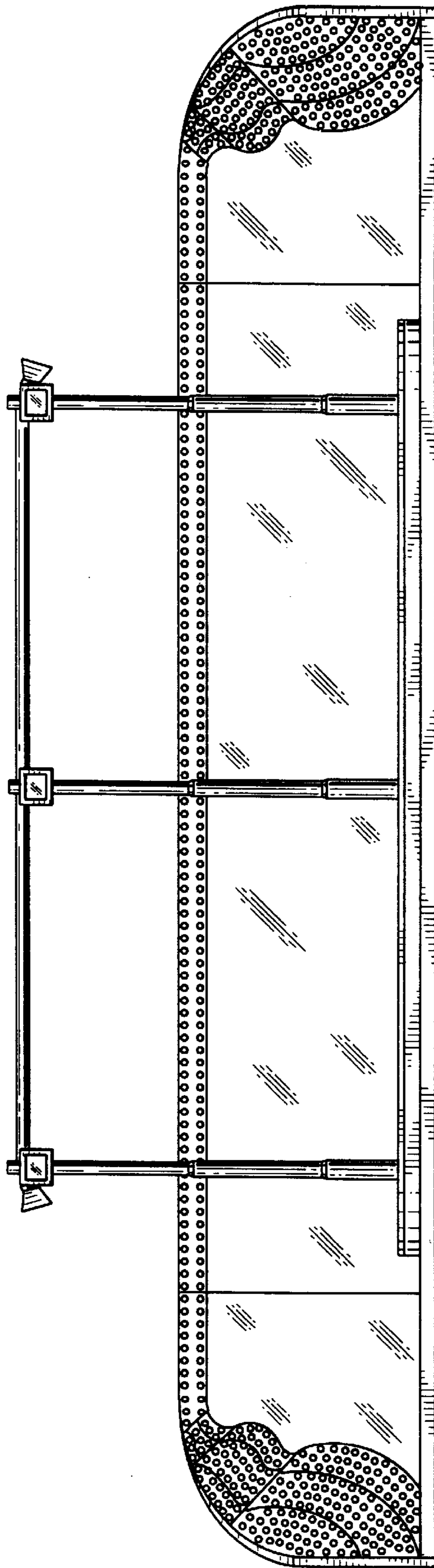


FIG. 2

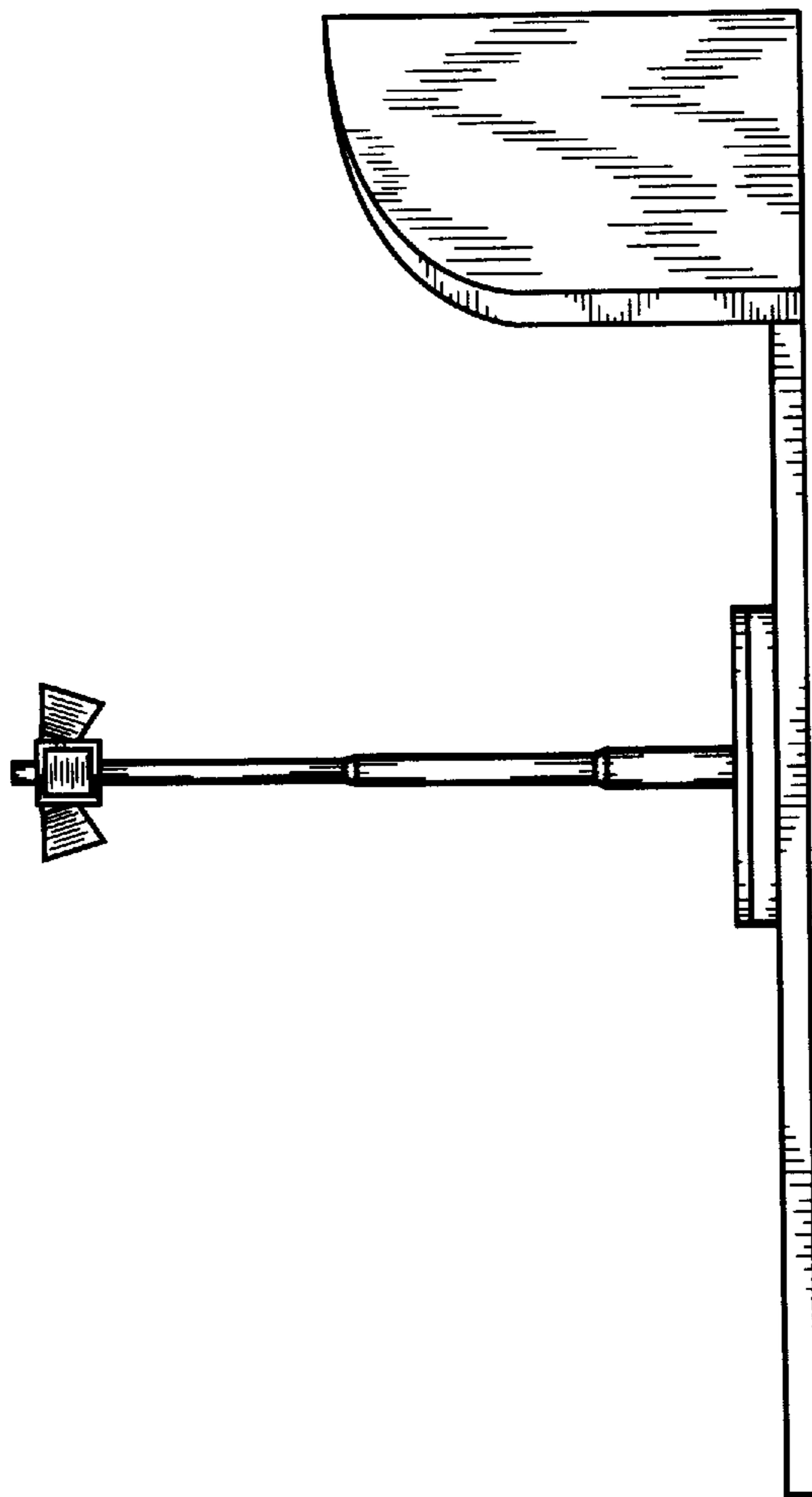


FIG. 3

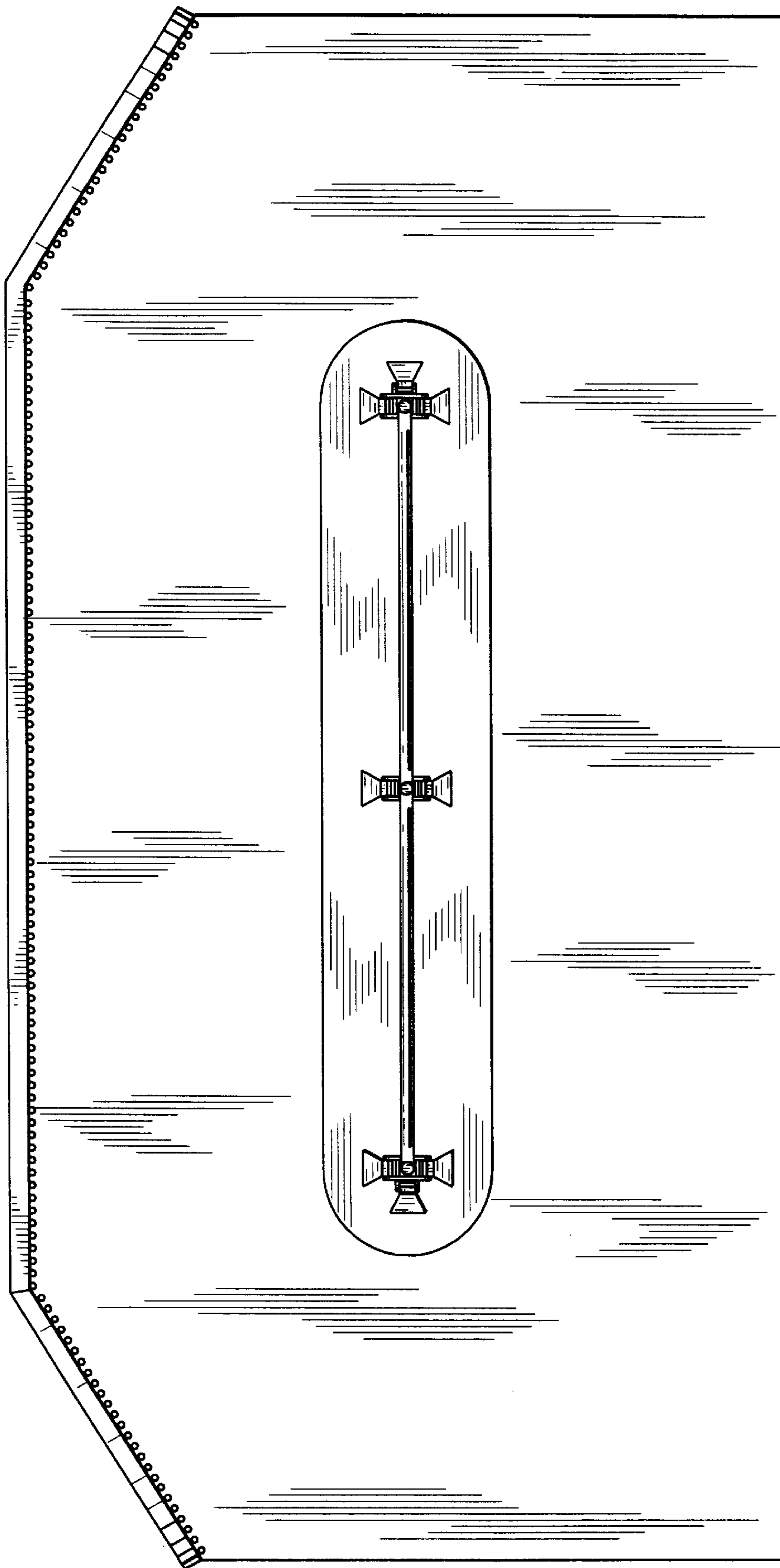


FIG. 4