



US00D407771S

United States Patent [19] Garza

[11] **Patent Number: Des. 407,771**

[45] **Date of Patent: **Apr. 6, 1999**

[54] EXERCISE DISPLAY AND HOLDER

[75] Inventor: **Craig Garza**, Huntington Beach, Calif.

[73] Assignee: **Unisen, Inc.**, Irvine, Calif.

[**] Term: **14 Years**

[21] Appl. No.: **87,107**

[22] Filed: **Apr. 27, 1998**

[51] **LOC (6) Cl.** **21-02**

[52] **U.S. Cl.** **D21/694; D21/696**

[58] **Field of Search** D21/662, 663,
D21/665, 667, 668, 669, 670, 694, 696;
482/51, 52, 70, 77, 79, 80

[56] **References Cited**

U.S. PATENT DOCUMENTS

D. 331,085	11/1992	Beyer	D21/696
D. 331,435	12/1992	Ueda	D21/696
D. 355,006	1/1995	Lo	D21/670
D. 388,847	1/1998	Whan-Tong et al.	D21/668
D. 393,027	3/1998	Chen	D21/670

OTHER PUBLICATIONS

Service Merchandise Catalog, pp. 522, 524 and 525, Treadmill Displays, 1997.

Primary Examiner—Philip S. Hyder
Attorney, Agent, or Firm—George E. Bethel; Patience K. Bethel

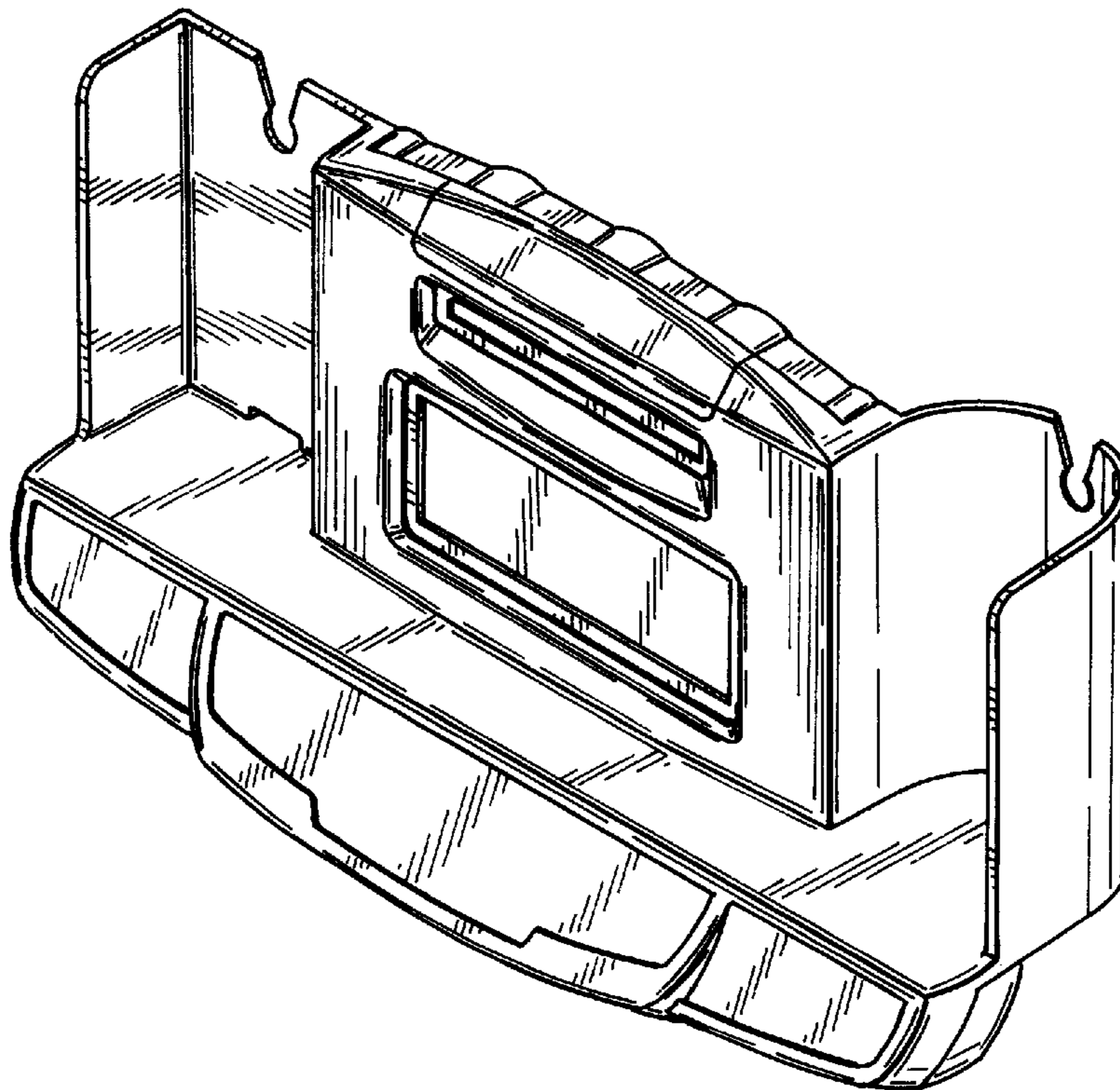
[57] **CLAIM**

I claim the ornamental design for an exercise display and holder, as shown and described.

DESCRIPTION

FIG. 1 shows a right side perspective view of my exercise display and holder;
FIG. 2 shows a front elevation view;
FIG. 3 shows a right side elevation view;
FIG. 4 shows a top plan view;
FIG. 5 shows a left side elevation view;
FIG. 6 shows a back elevation view; and,
FIG. 7 shows a bottom plan view.

1 Claim, 2 Drawing Sheets



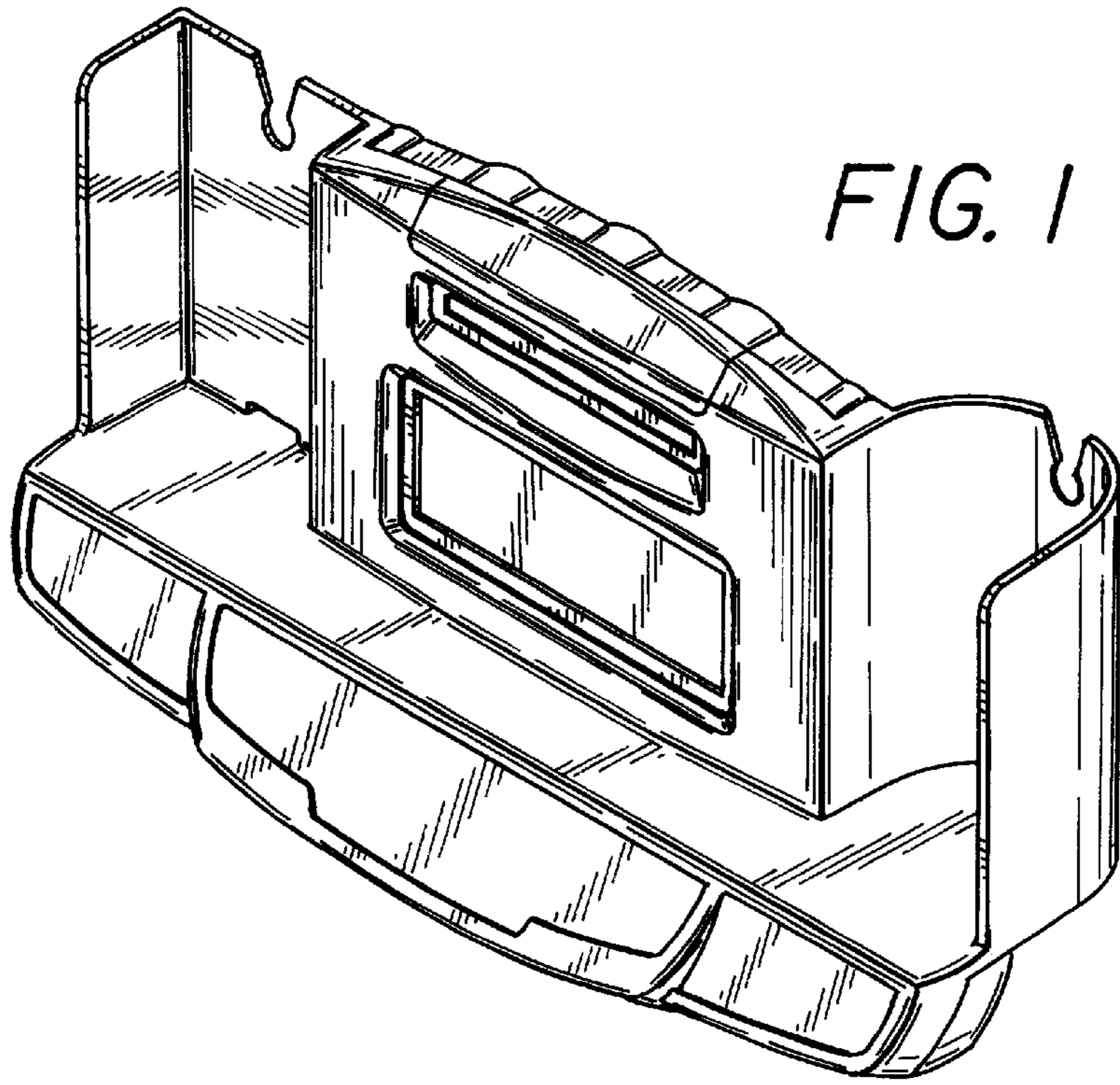


FIG. 1

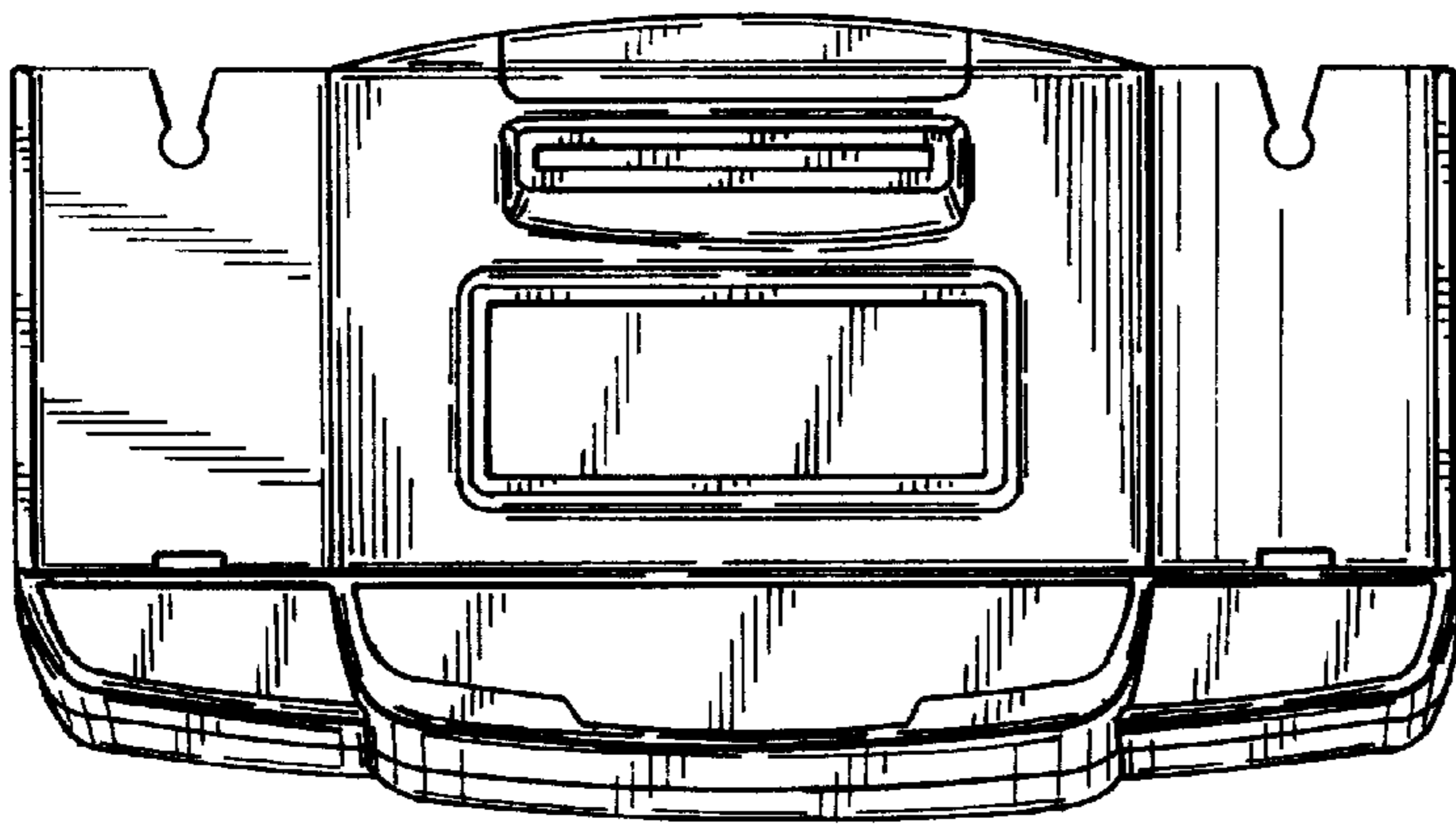
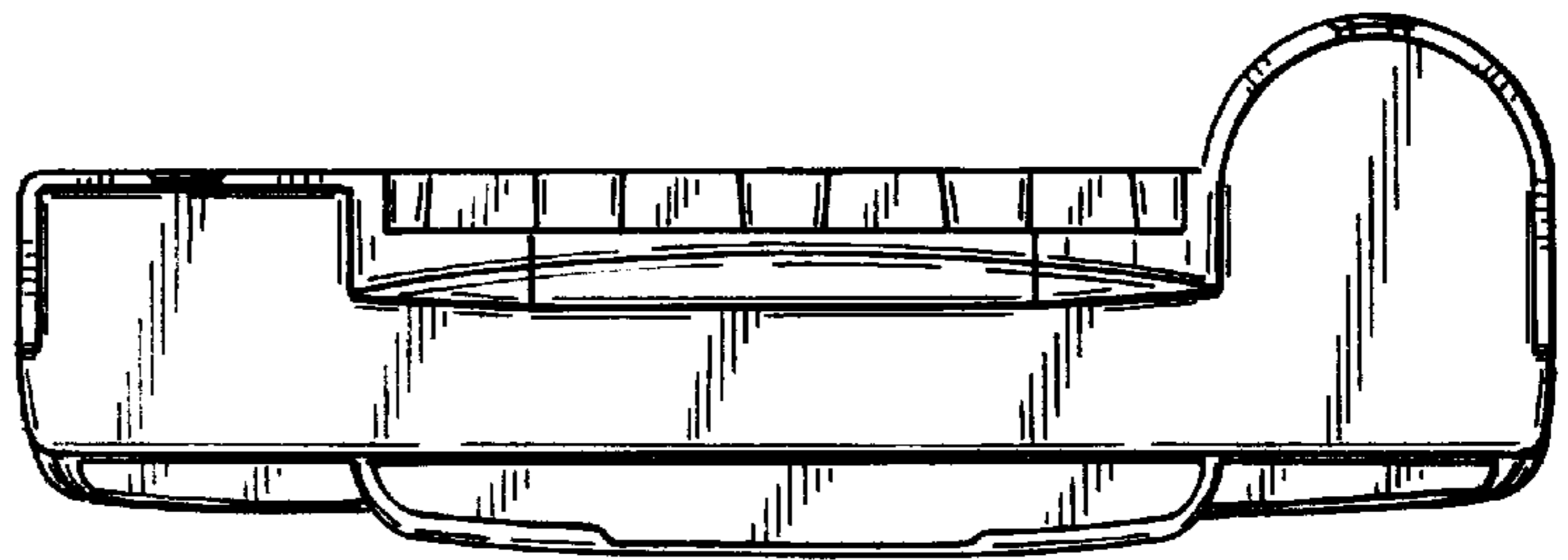


FIG. 2

FIG. 4



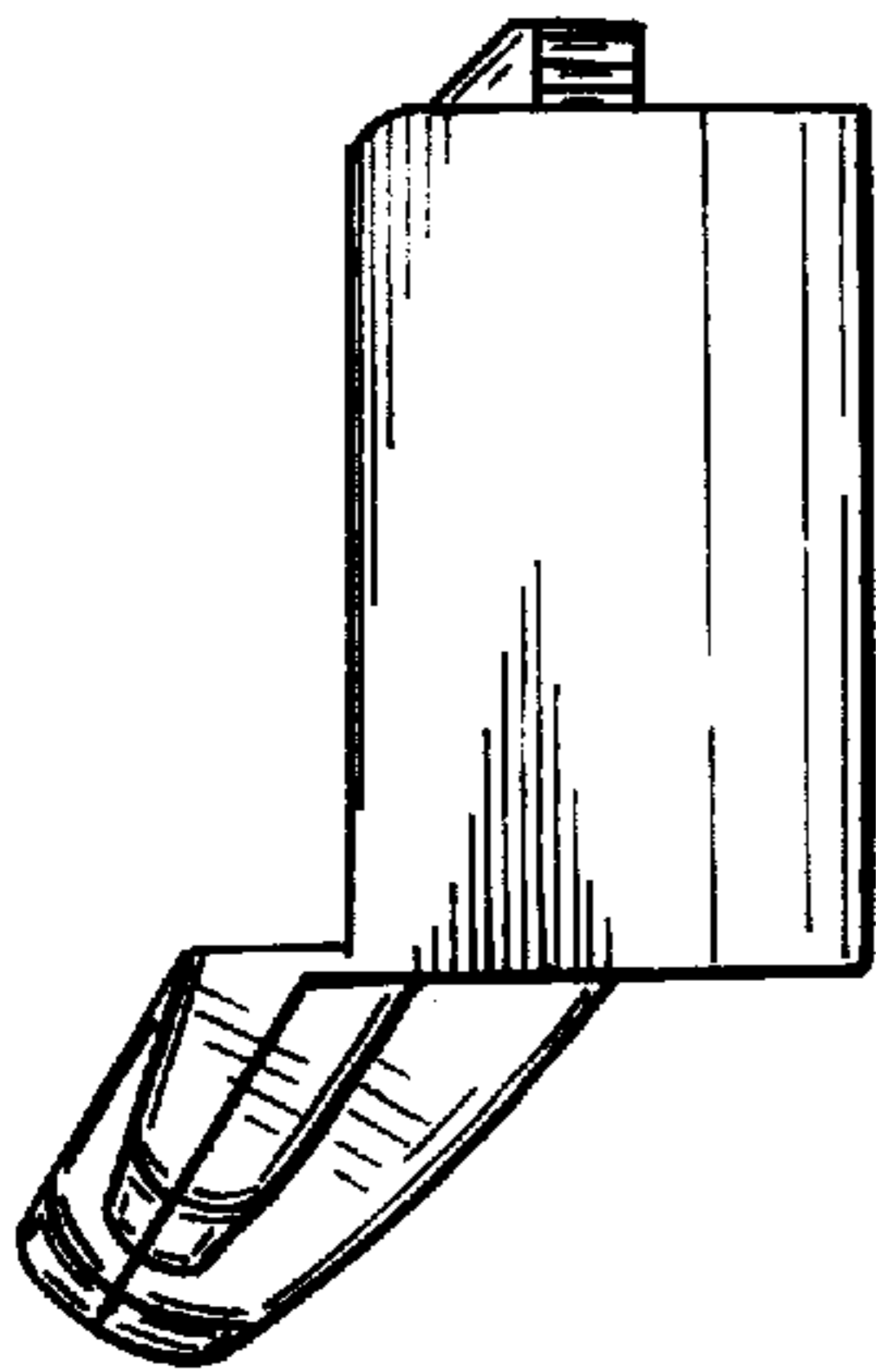


FIG. 3

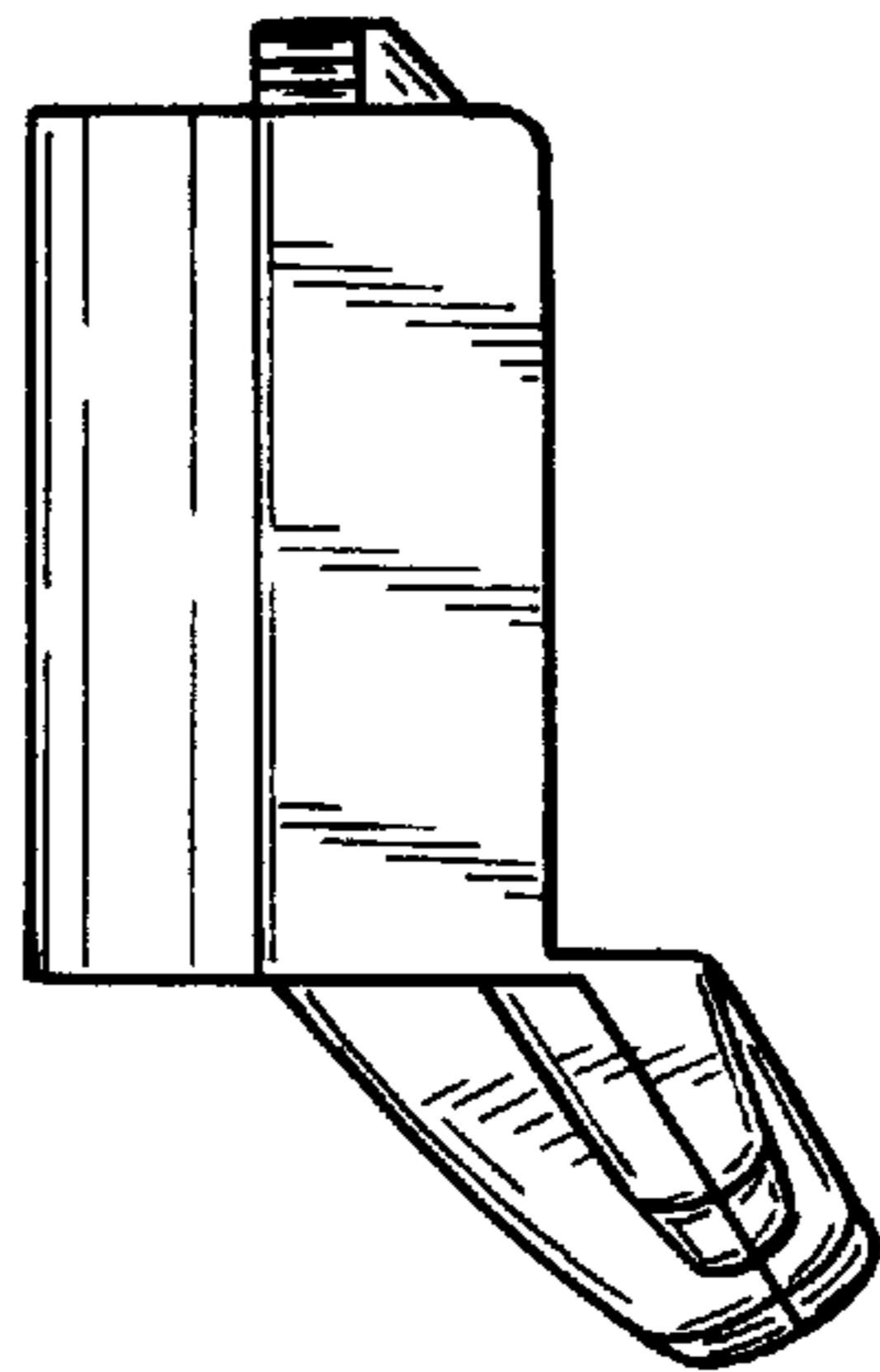


FIG. 5

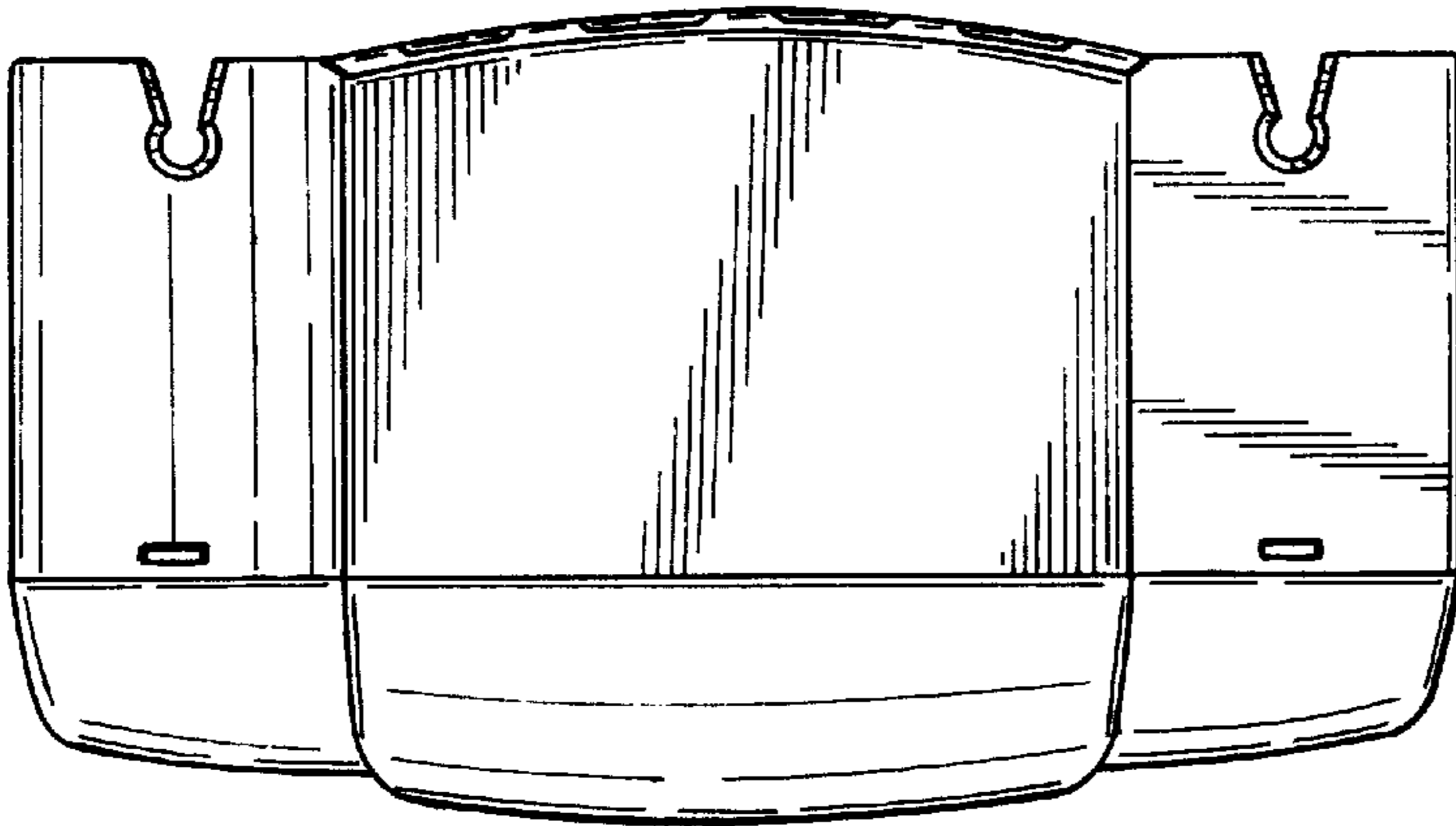


FIG. 6

FIG. 7

