



US00D407767S

United States Patent [19] Chang

[11] **Patent Number:** **Des. 407,767**

[45] **Date of Patent:** ****Apr. 6, 1999**

[54] **UPRIGHT EXERCISE BICYCLE FRAME**

[75] Inventor: **Sam Chang**, Taichung Hsien, Taiwan

[73] Assignee: **LifeGear, Inc.**, Rockaway Township, N.J.

[**] Term: **14 Years**

[21] Appl. No.: **86,269**

[22] Filed: **Apr. 9, 1998**

[51] **LOC (6) Cl.** **21-02**

[52] **U.S. Cl.** **D21/663; D21/697**

[58] **Field of Search** D21/662, 663,
D21/664, 665, 667, 668, 670; 482/51, 52,
57, 58, 59, 61

[56] **References Cited**

U.S. PATENT DOCUMENTS

- D. 218,623 9/1970 Margolies D21/663
- D. 224,329 7/1972 Gunnar D21/663
- D. 233,160 10/1974 Jouk D21/663

- D. 297,153 8/1988 Smith D21/663
- D. 299,671 1/1989 Anita D21/663
- D. 381,379 7/1997 Lee D21/663

Primary Examiner—Philip S. Hyder
Attorney, Agent, or Firm—David L. Davis

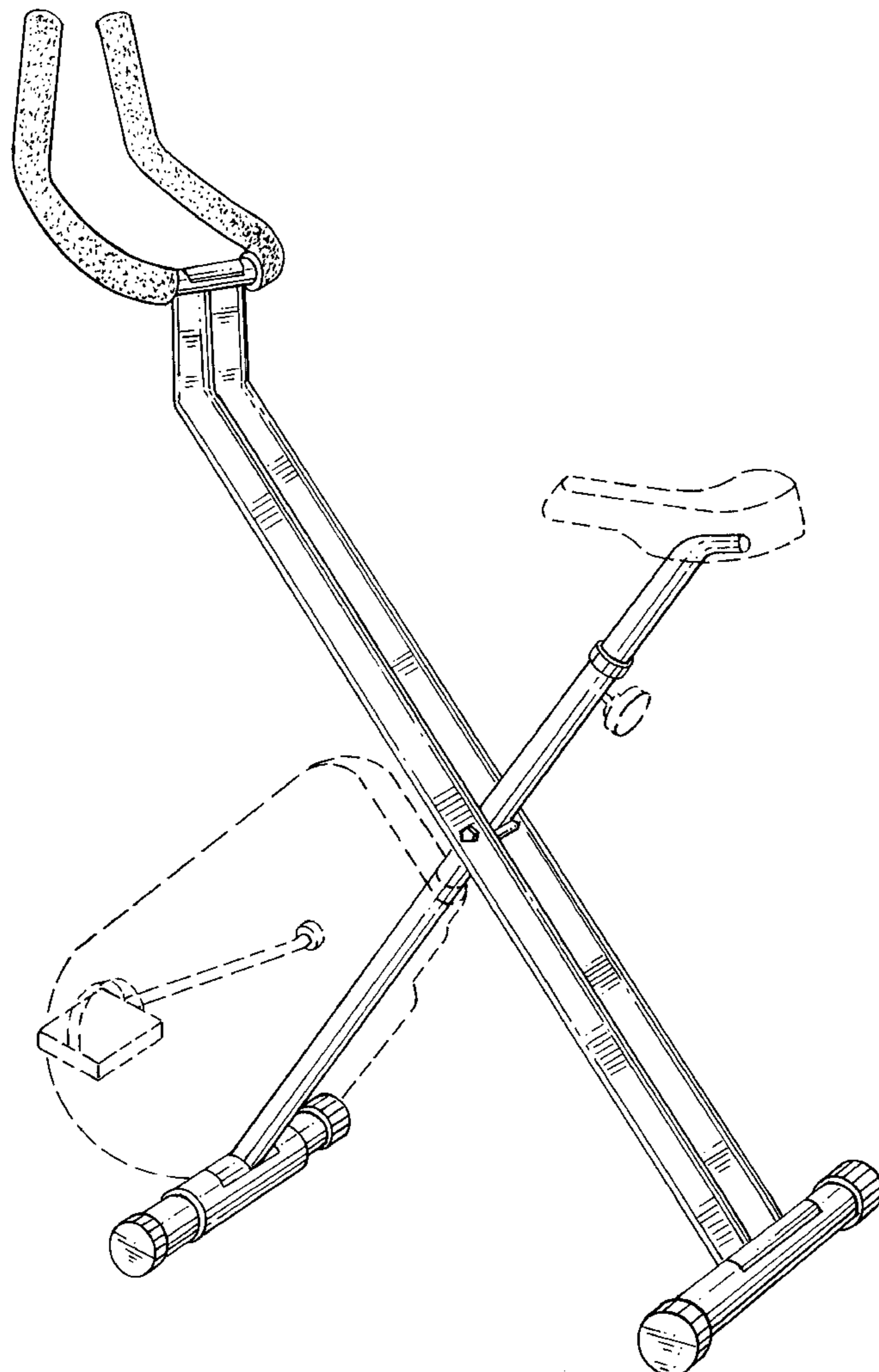
[57] **CLAIM**

The ornamental design for an upright exercise bicycle frame, as shown and described.

DESCRIPTION

FIG. 1 is a top, rear and right side perspective view of an upright exercise bicycle frame in accordance with my design, wherein the broken lines represent environment only and form no part of the claimed design; FIG. 2 is a front elevational view thereof; FIG. 3 is a rear elevational view thereof; FIG. 4 is a right side elevational view thereof, the left side elevational view being a mirror image; and, FIG. 5 is a top plan view thereof.

1 Claim, 5 Drawing Sheets



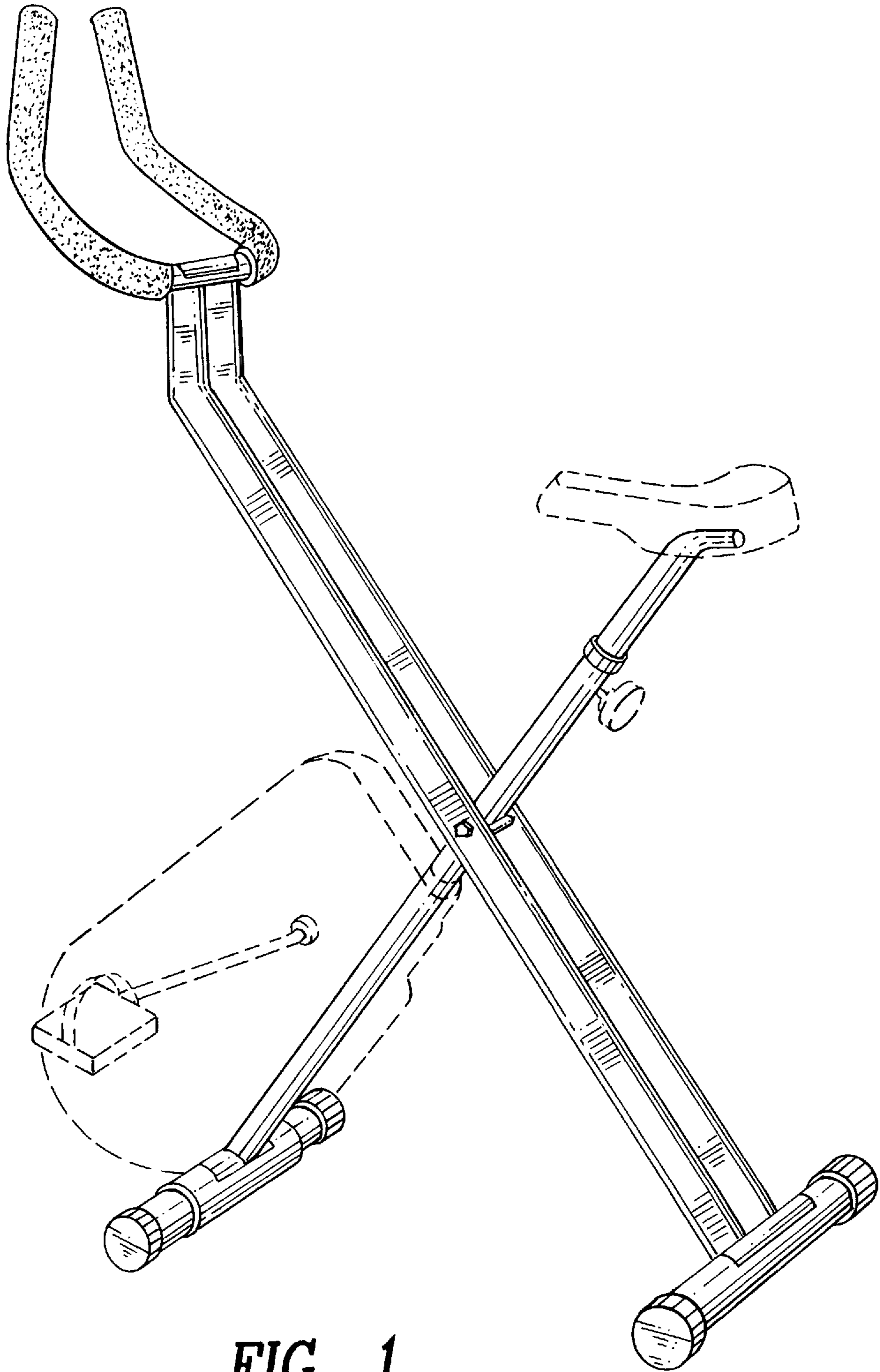


FIG. 1

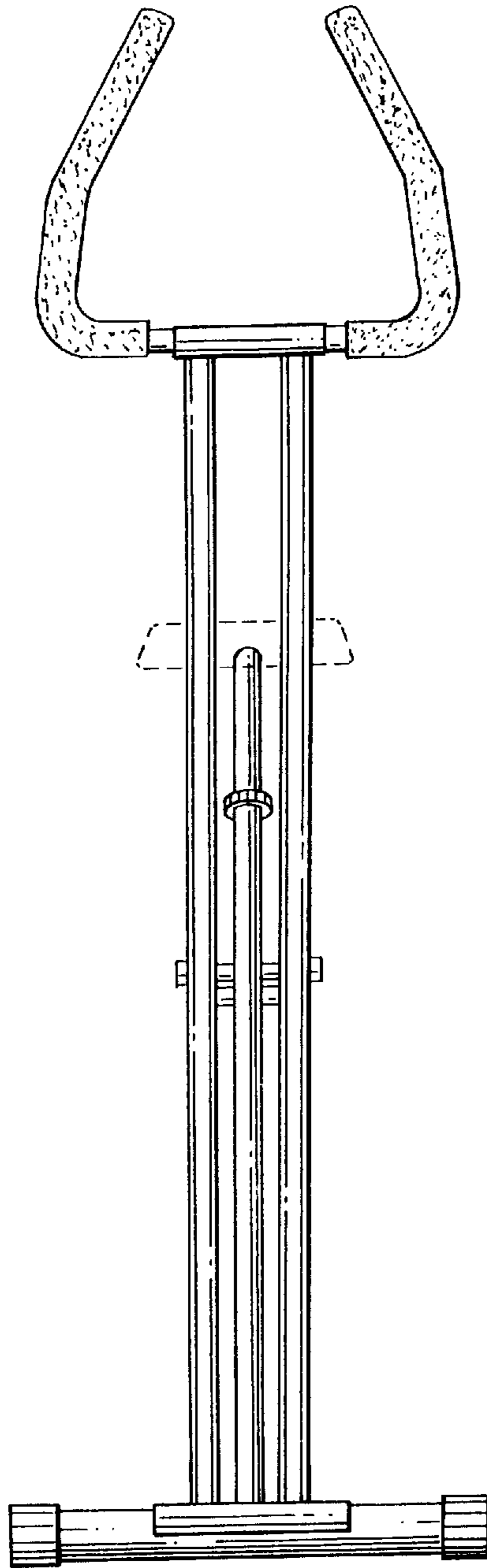


FIG. 2

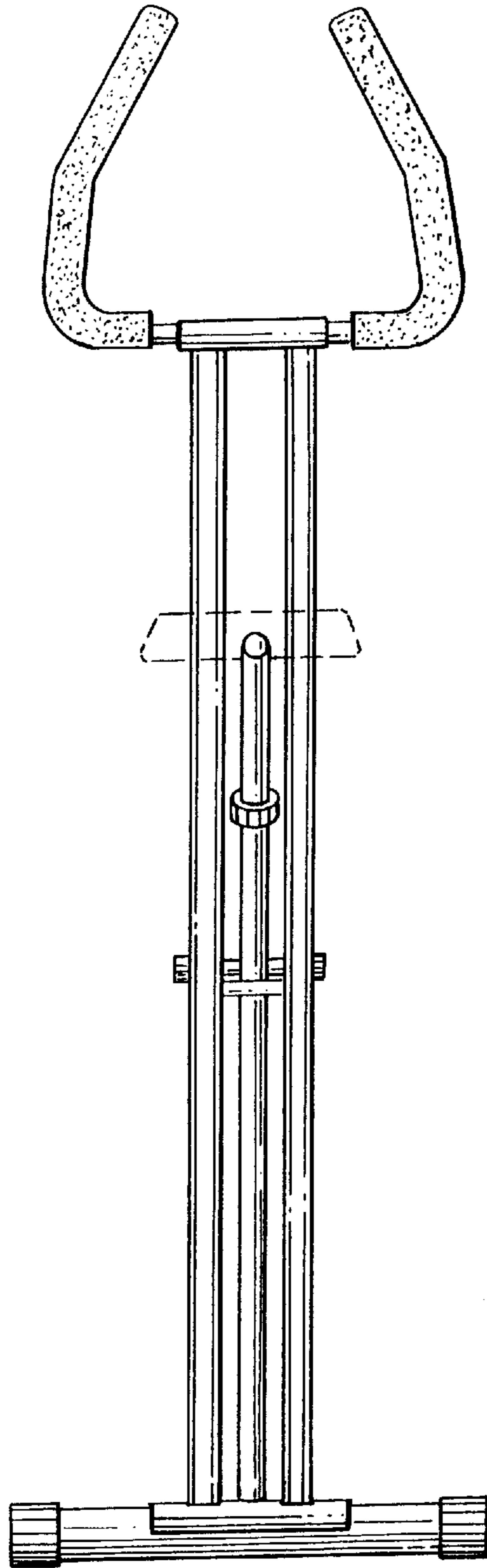


FIG. 3

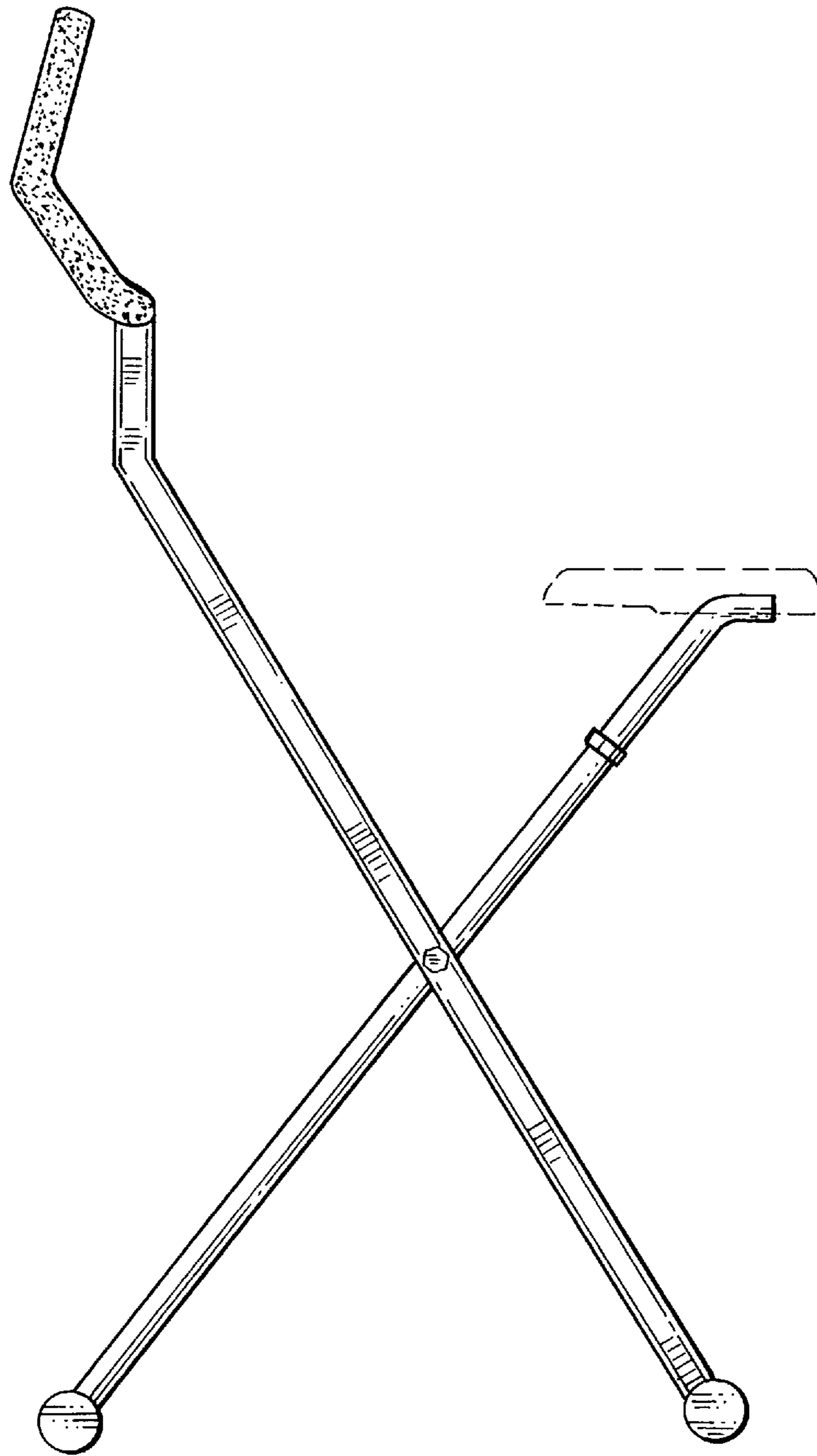


FIG. 4

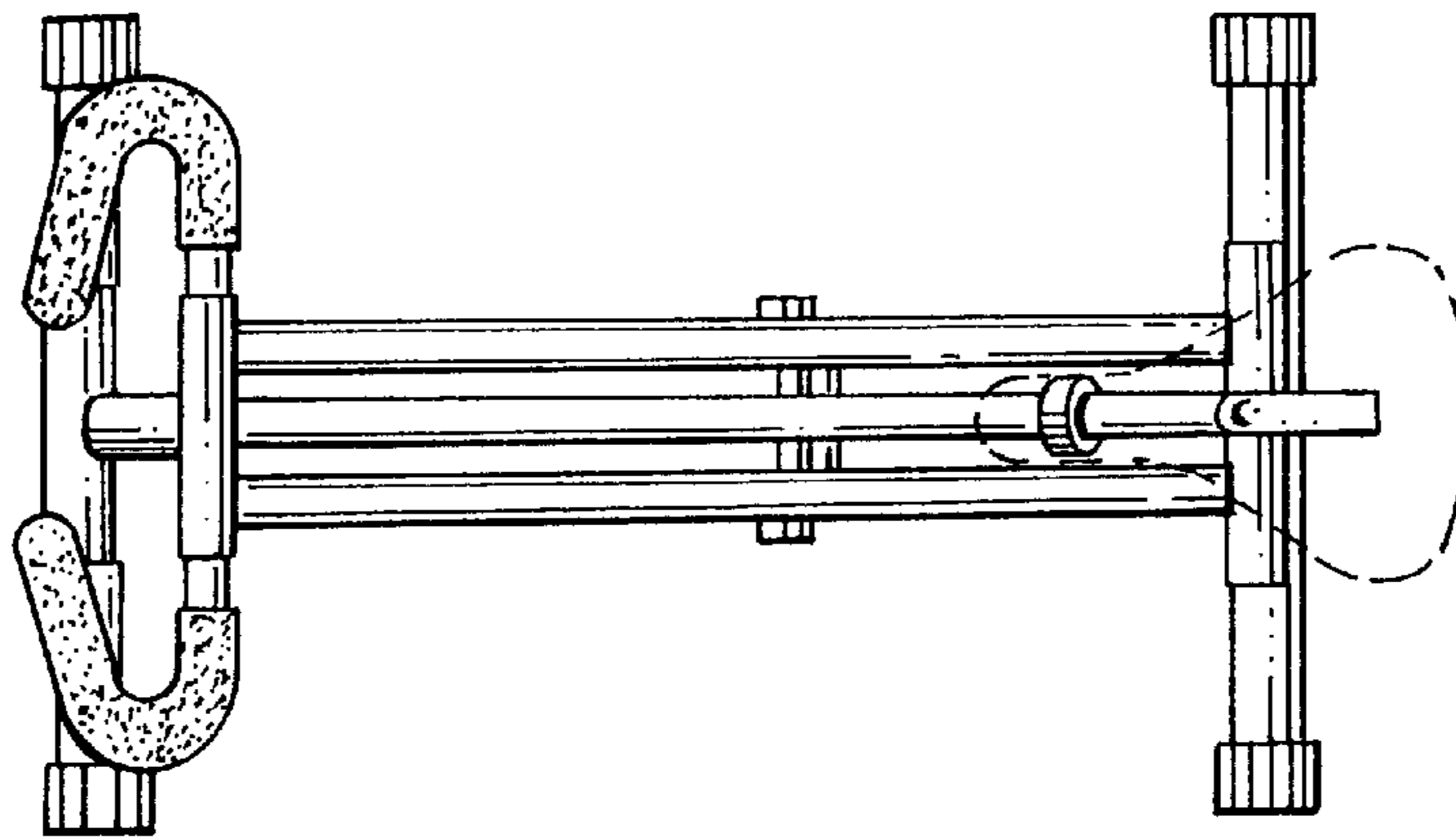


FIG. 5