



US00D407764S

United States Patent [19]

Ashton et al.

[11] **Patent Number:** **Des. 407,764**

[45] **Date of Patent:** ****Apr. 6, 1999**

[54] **GAME TABLE TOP**

[75] Inventors: **Richard G. Ashton**, Riverdale; **Jeffrey Guthrie**, Eden, both of Utah

[73] Assignee: **H & R Enterprises, L.C.**, Roy, Utah

[**] Term: **14 Years**

[21] Appl. No.: **84,541**

[22] Filed: **Mar. 5, 1998**

[51] **LOC (6) Cl.** **21-01**

[52] **U.S. Cl.** **D21/397; D21/342; D21/303**

[58] **Field of Search** **D21/302, 303, D21/314, 334-369; 273/236-285**

[56] **References Cited**

U.S. PATENT DOCUMENTS

D. 245,798	9/1977	Norden	D21/303
D. 326,481	5/1992	Pritchett	D21/365
D. 357,963	5/1995	Amburgey et al.	D21/342
D. 362,026	9/1995	Garcia	D21/339
4,968,041	11/1990	Calvo	D21/303

Primary Examiner—Sandra L. Morris
Attorney, Agent, or Firm—Workman, Nydegger & Seeley; David B. Dellenbach

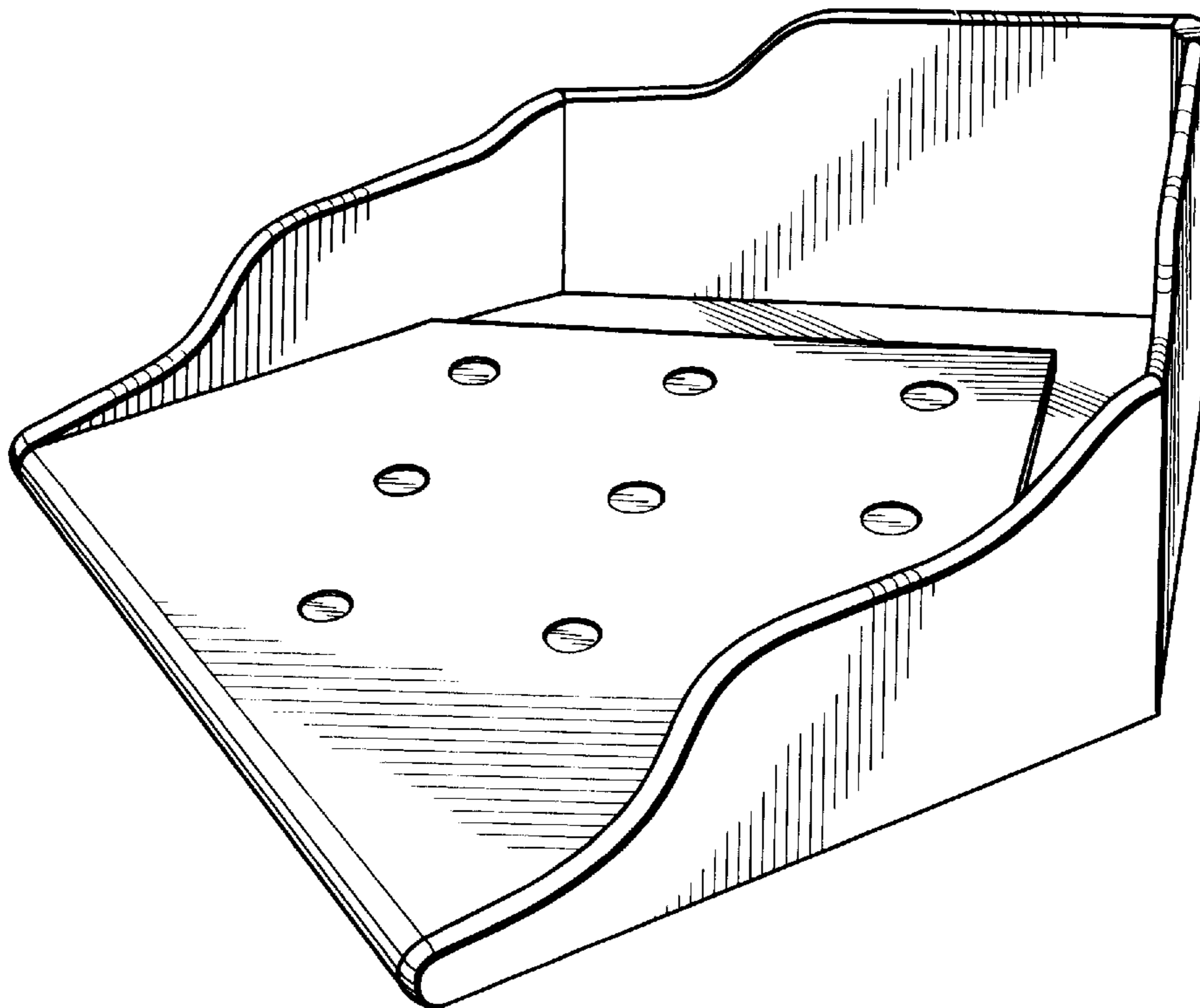
[57] **CLAIM**

The ornamental design for a game table top, as shown and described.

DESCRIPTION

FIG. 1 is a perspective view of a game table top, showing our new design;
FIG. 2 is a top plan view of the game table top shown in FIG. 1;
FIG. 3 is a left side elevational view of the game table top shown in FIG. 1;
FIG. 4 is a bottom plan view of the game table top shown in FIG. 1;
FIG. 5 is a right side elevational view of the game table top shown in FIG. 1;
FIG. 6 is a front elevational view of the game table top shown in FIG. 1; and,
FIG. 7 is a back elevational view of the game table top shown in FIG. 1.

1 Claim, 3 Drawing Sheets



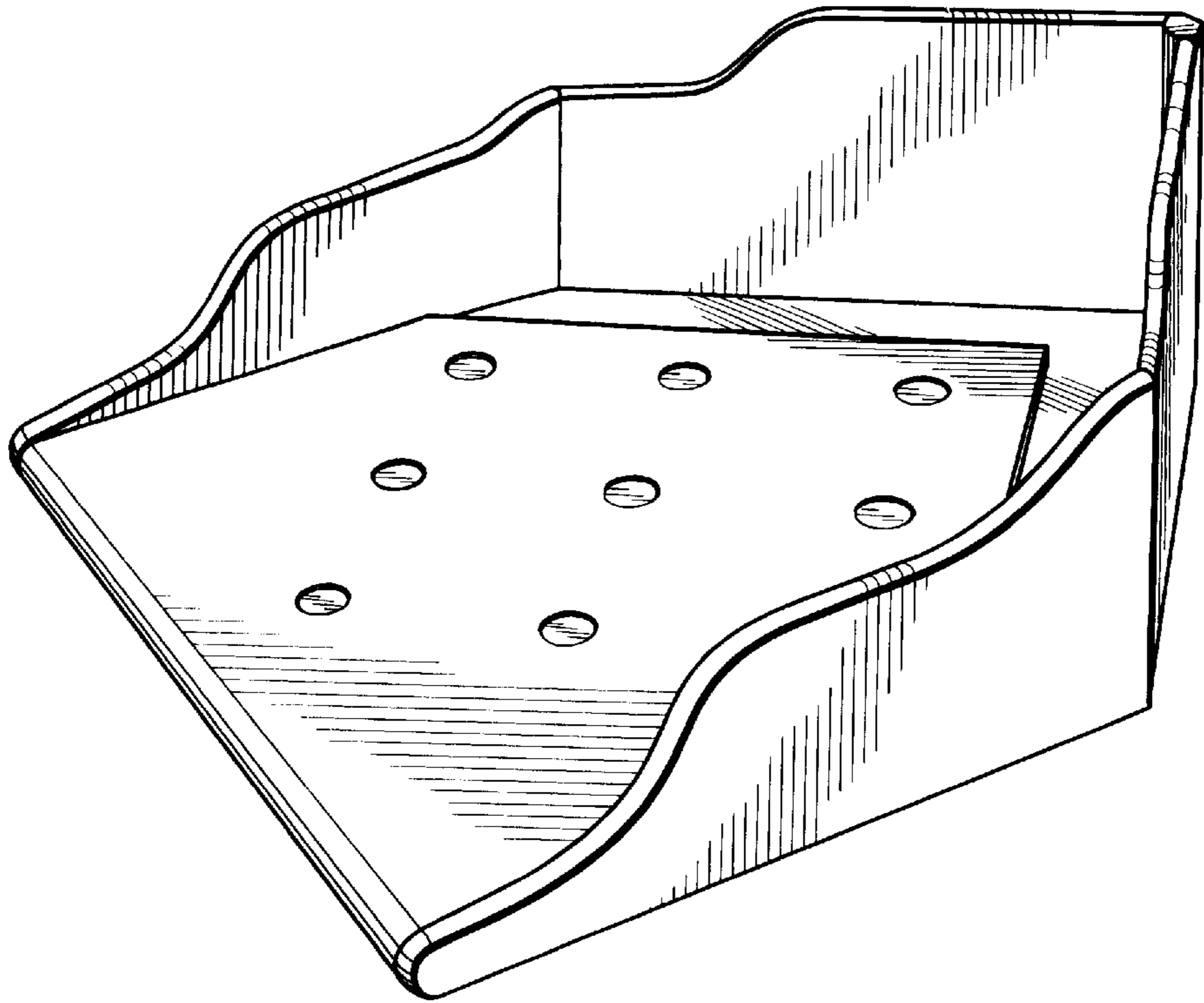


FIG. 1

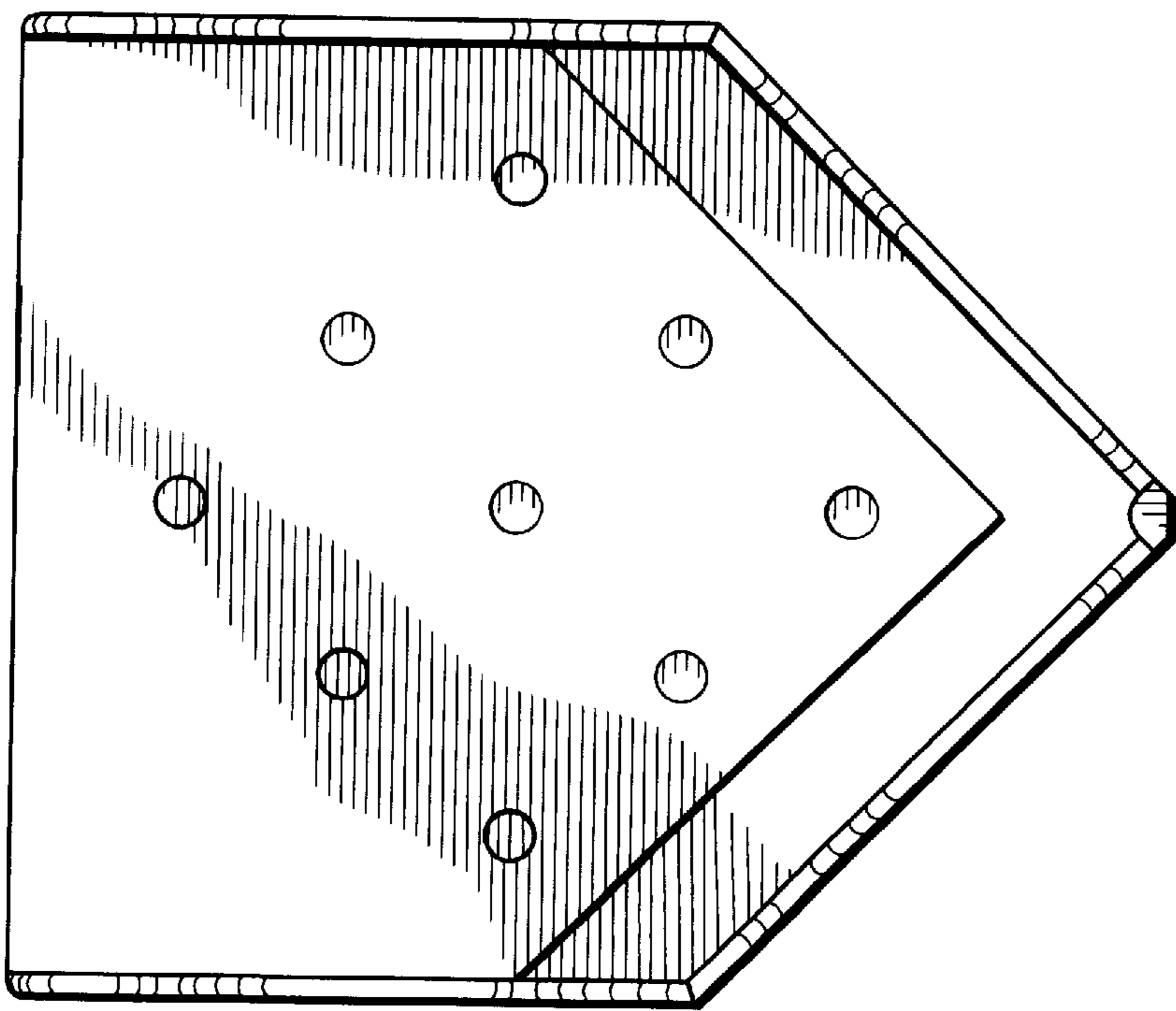


FIG. 2

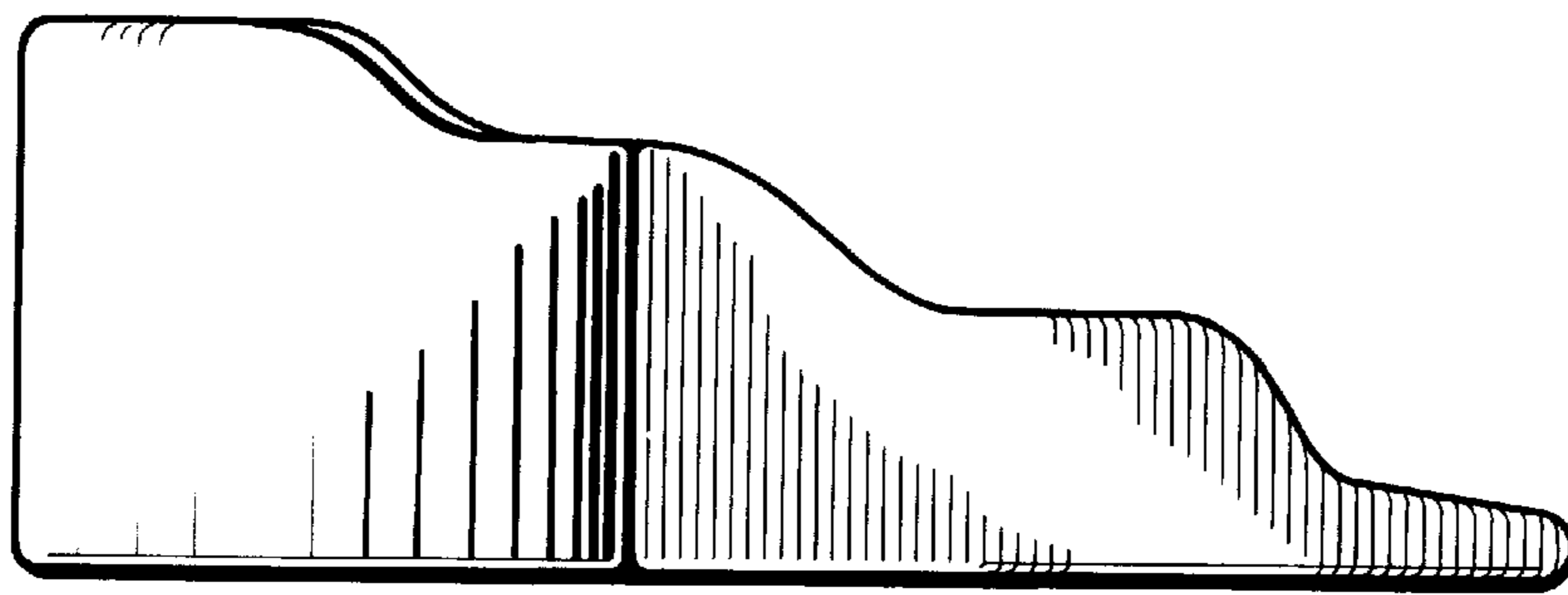


FIG. 3

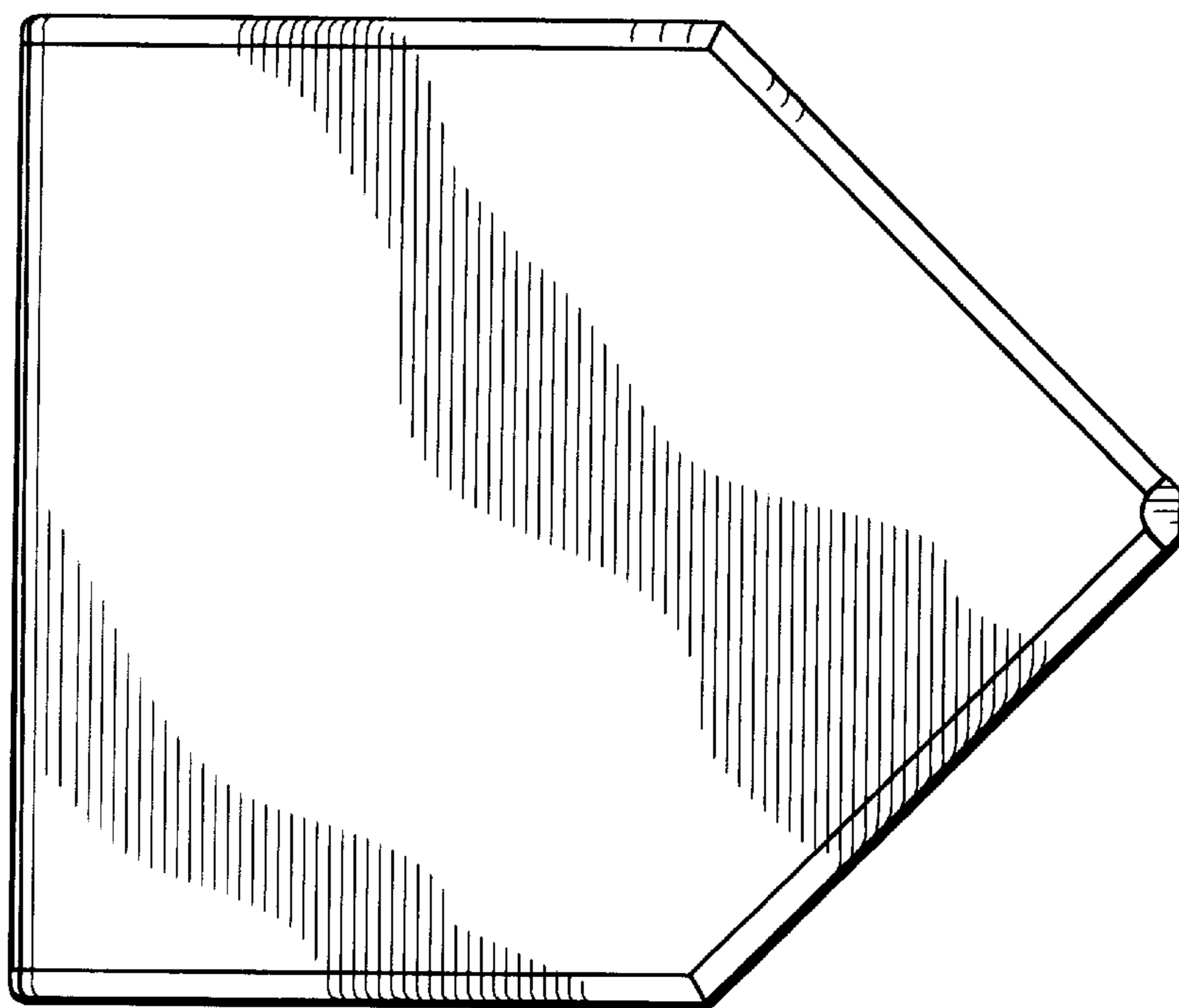


FIG. 4

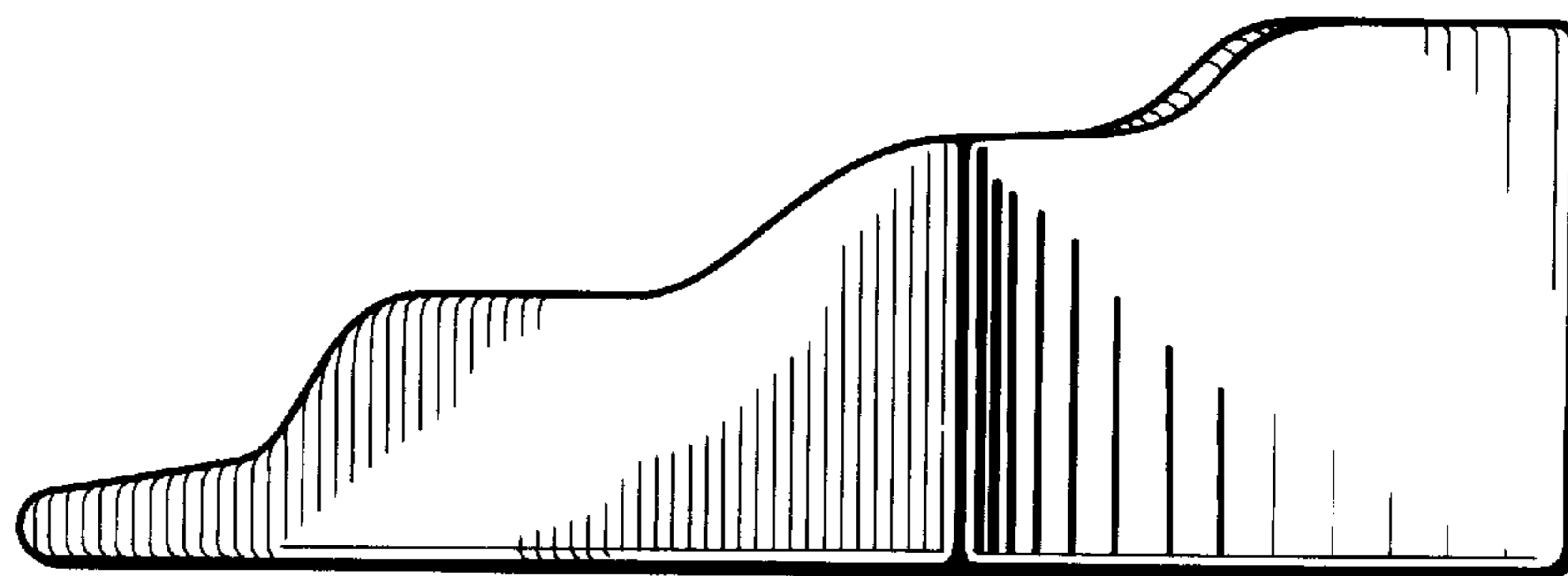


FIG. 5

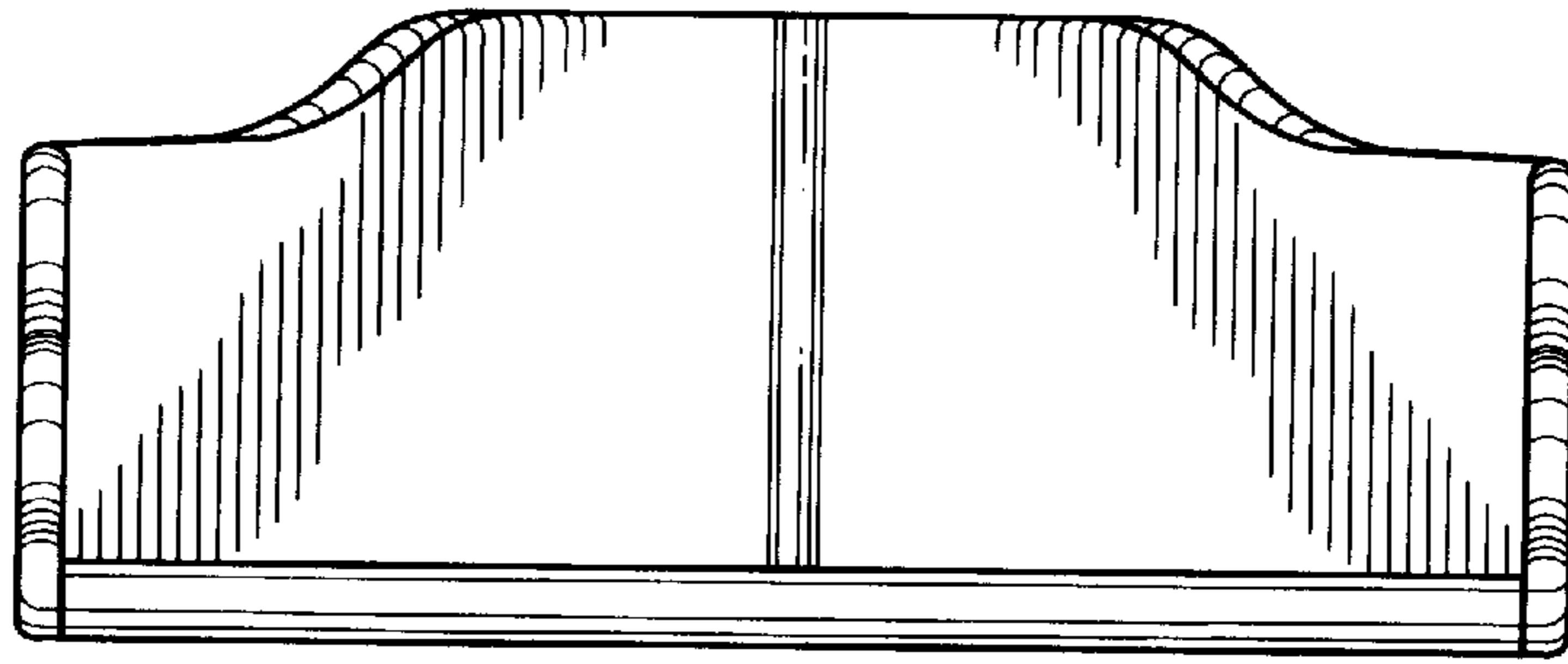


FIG. 6

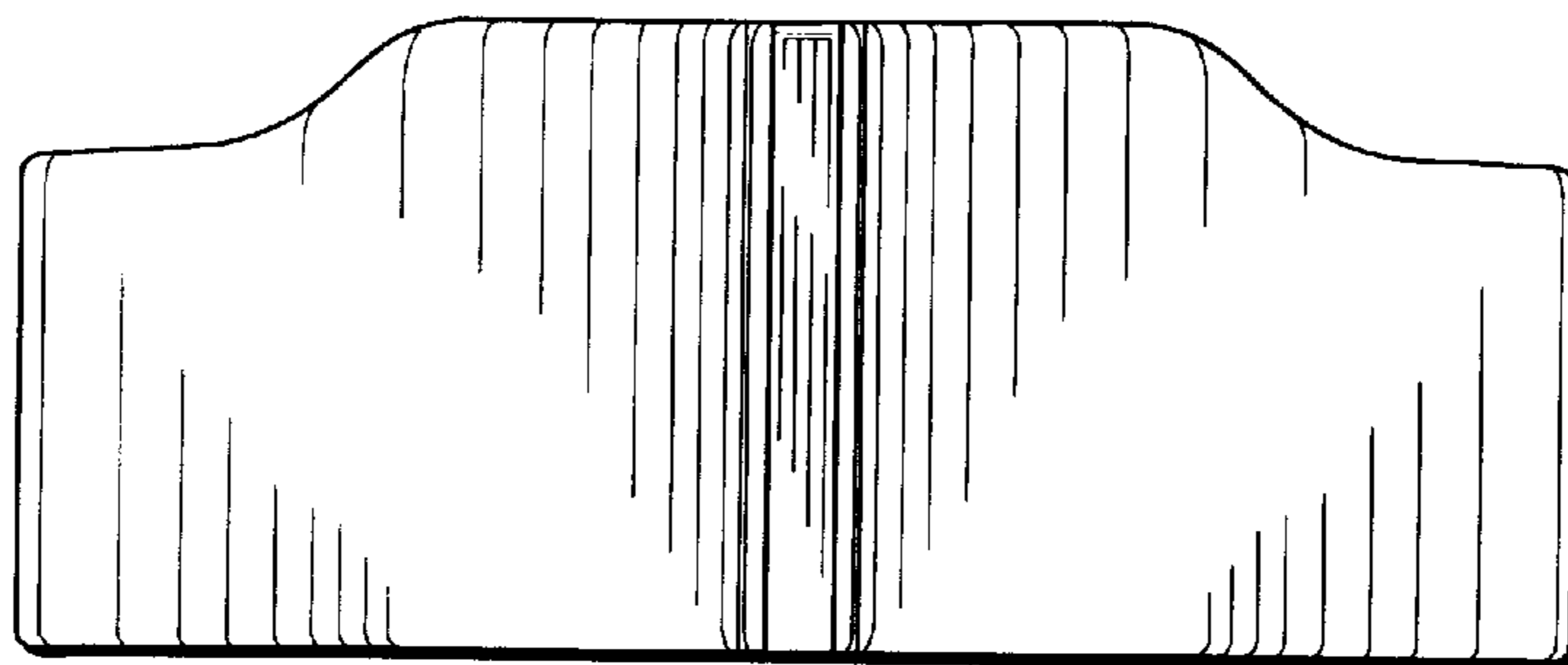


FIG. 7