



US00D407762S

# United States Patent [19]

[11] **Patent Number: Des. 407,762**

**Ota et al.**

[45] **Date of Patent: \*\*Apr. 6, 1999**

[54] **CARTRIDGE WITH CAMERA FOR A GAME MACHINE**

*Primary Examiner—Prabhakar G. Deshmukh  
Attorney, Agent, or Firm—Nixon & Vanderhye P.C.*

[75] Inventors: **Masahiko Ota; Takashi Ono**, both of  
Kyoto, Japan

[57] **CLAIM**

The ornamental design for a “cartridge with camera for a game machine”, as shown and described.

[73] Assignee: **Nintendo Co., Ltd.**, Japan

[\*\*] Term: **14 Years**

**DESCRIPTION**

[21] Appl. No.: **84,557**

FIG. 1 is a top plan view of a cartridge with camera for a game machine in accordance with a first embodiment of my new design;

[22] Filed: **Mar. 5, 1998**

FIG. 2 is a left side elevation thereof;

[51] **LOC (6) Cl.** ..... **21-01**

FIG. 3 is a right side elevation thereof;

[52] **U.S. Cl.** ..... **D21/332**

FIG. 4 is a bottom plan view thereof;

[58] **Field of Search** ..... D21/324, 332,  
D21/329, 333; D14/124, 125, 100; D16/202,  
208; 273/148 B; 463/43–47, 29, 30, 1

FIG. 5 is a front elevation thereof;

FIG. 6 is a rear elevation thereof;

[56] **References Cited**

FIG. 7 is a front right perspective view thereof;

**U.S. PATENT DOCUMENTS**

FIG. 8 is a top plan view of a cartridge with camera for a game machine in accordance with a second embodiment of my new design;

D. 280,322 8/1985 Velinsky ..... D21/333 X

FIG. 9 is a left side elevation thereof;

D. 318,884 8/1991 Kojo .

FIG. 10 is a right side elevation thereof;

D. 347,450 5/1994 Nagata et al. .

FIG. 11 is a bottom plan view thereof;

D. 353,409 12/1994 Obata ..... D21/324

FIG. 12 is a front elevation thereof;

D. 366,261 1/1996 Splane, Jr. et al. .... D14/117.1 X

FIG. 13 is a rear elevation thereof; and

D. 369,352 4/1996 Iwakami ..... D21/332 X

FIG. 14 is a front right perspective view thereof.

5,362,068 11/1994 Liu ..... 463/44

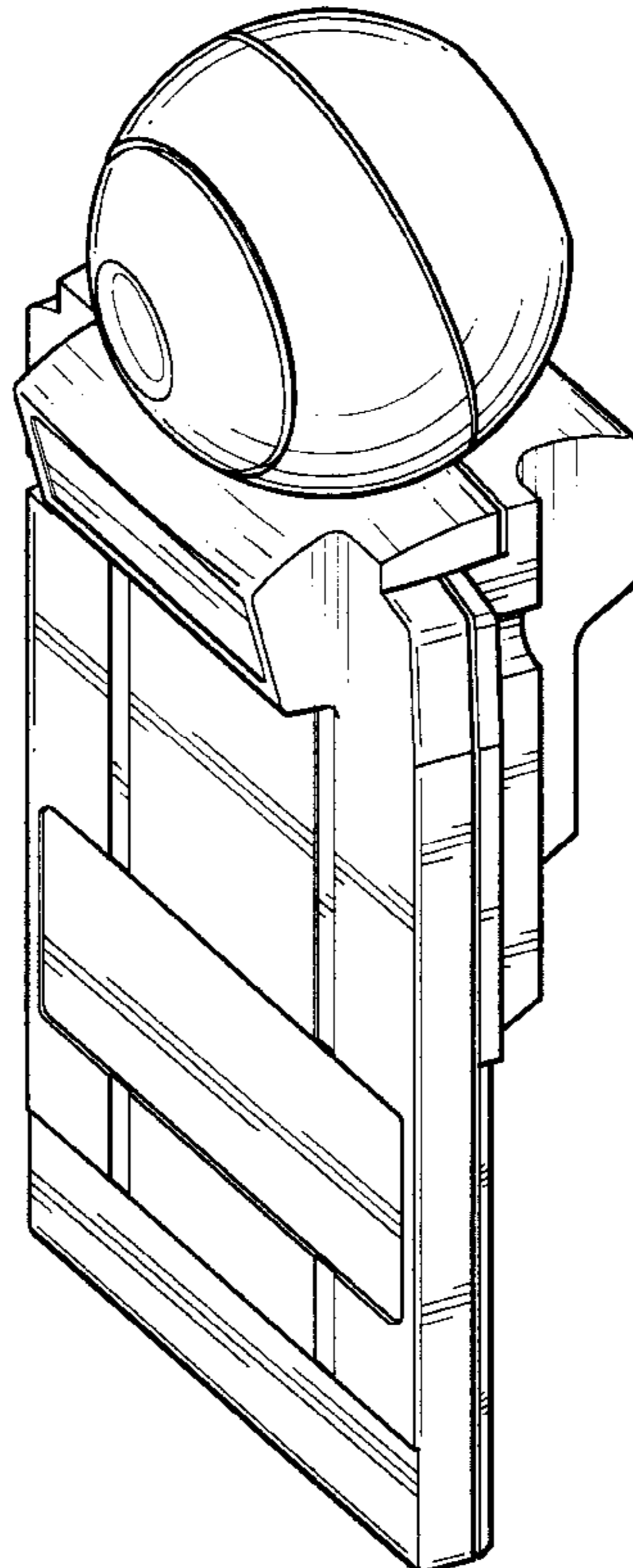
5,653,638 8/1997 Nagata ..... 463/44

**OTHER PUBLICATIONS**

Sears Toys Cat p. 494, 1985.

Namco Catalog, Feb. 1995.

**1 Claim, 8 Drawing Sheets**



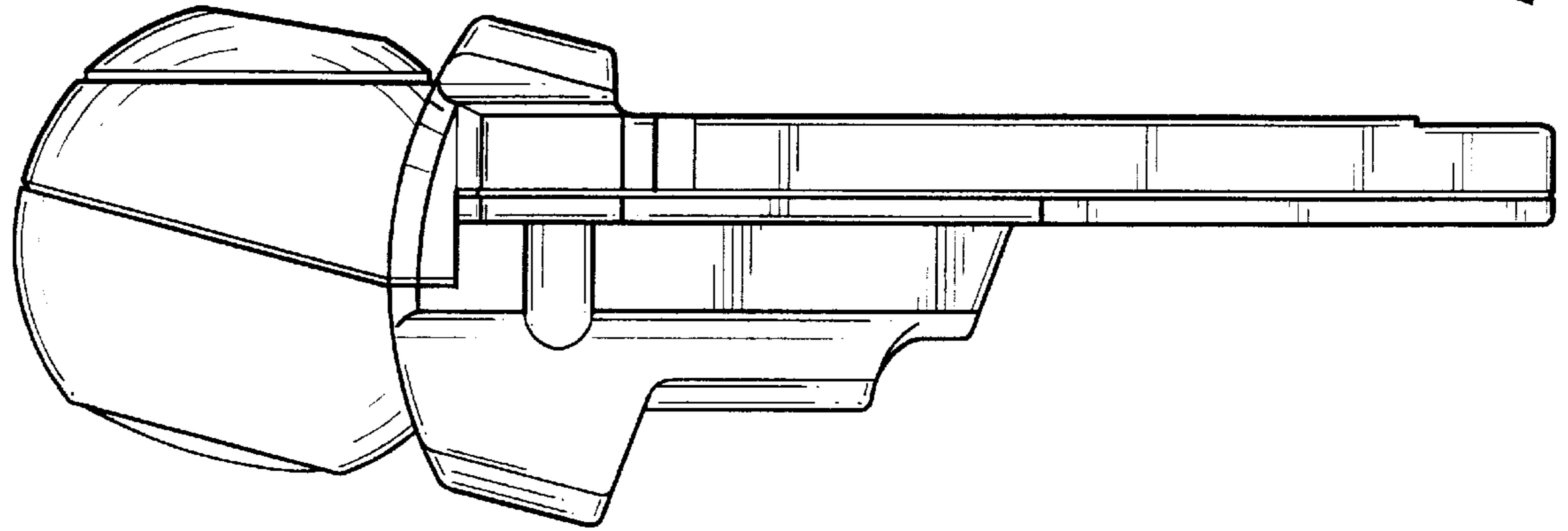


Fig. 2

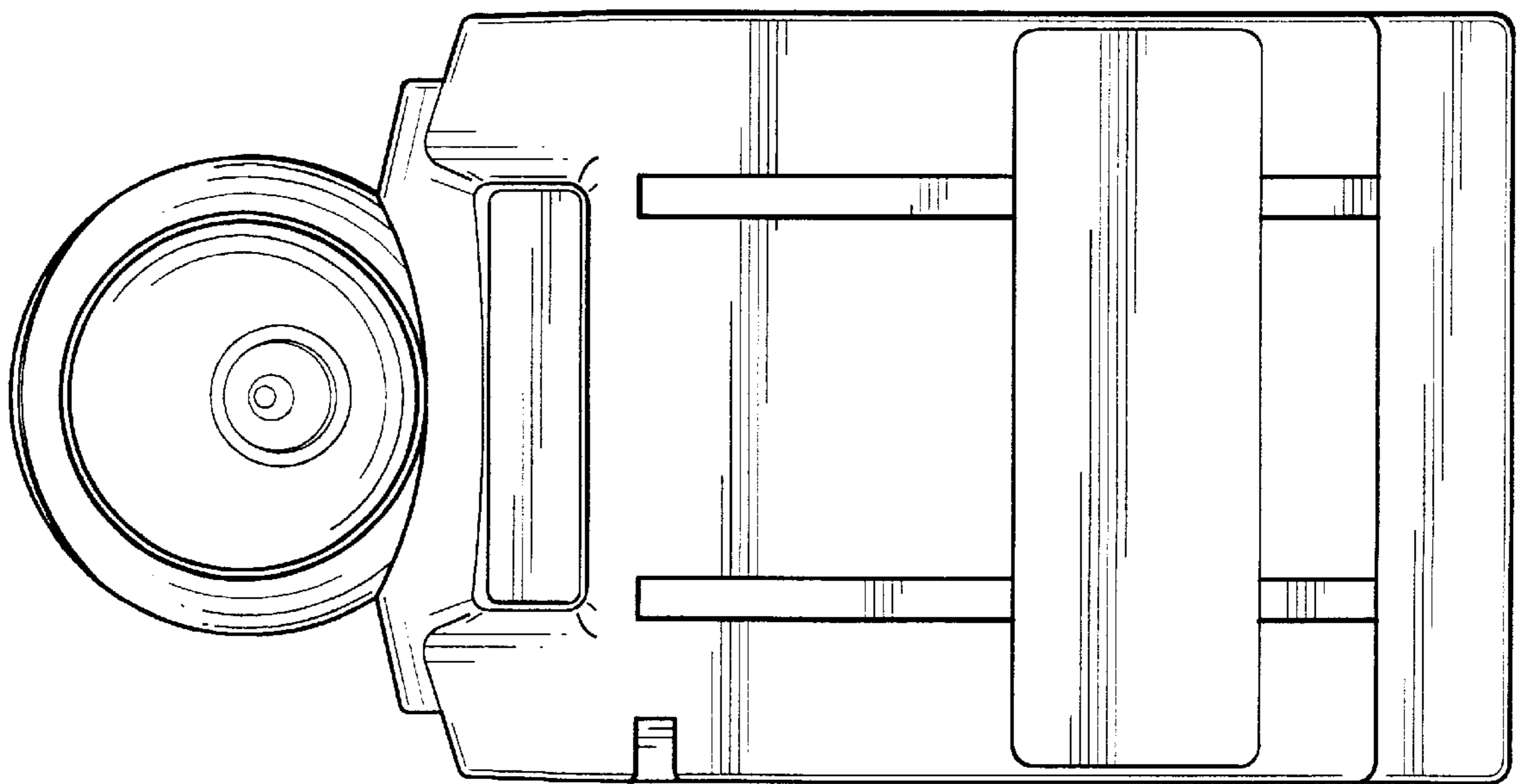


Fig. 1

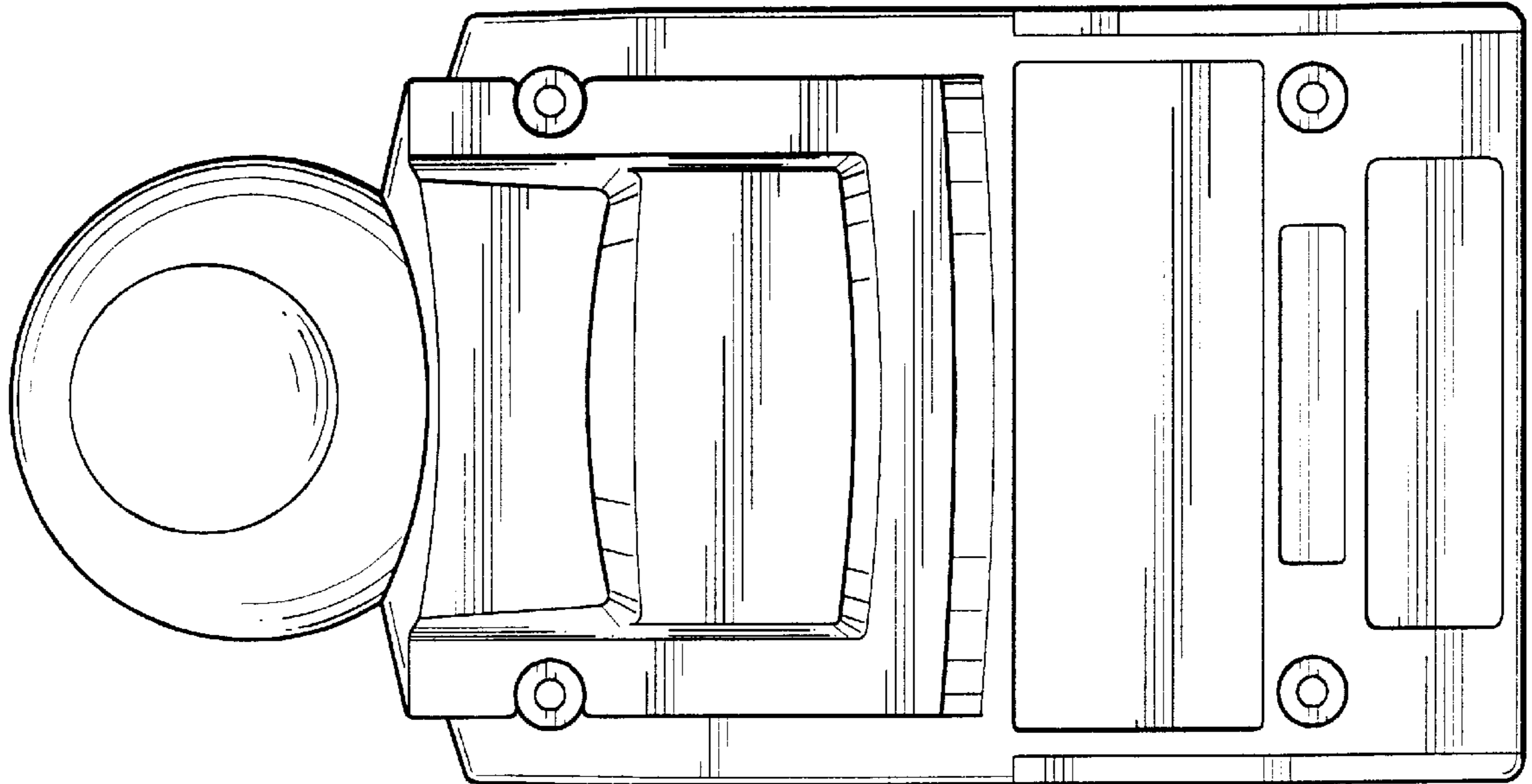


Fig. 4

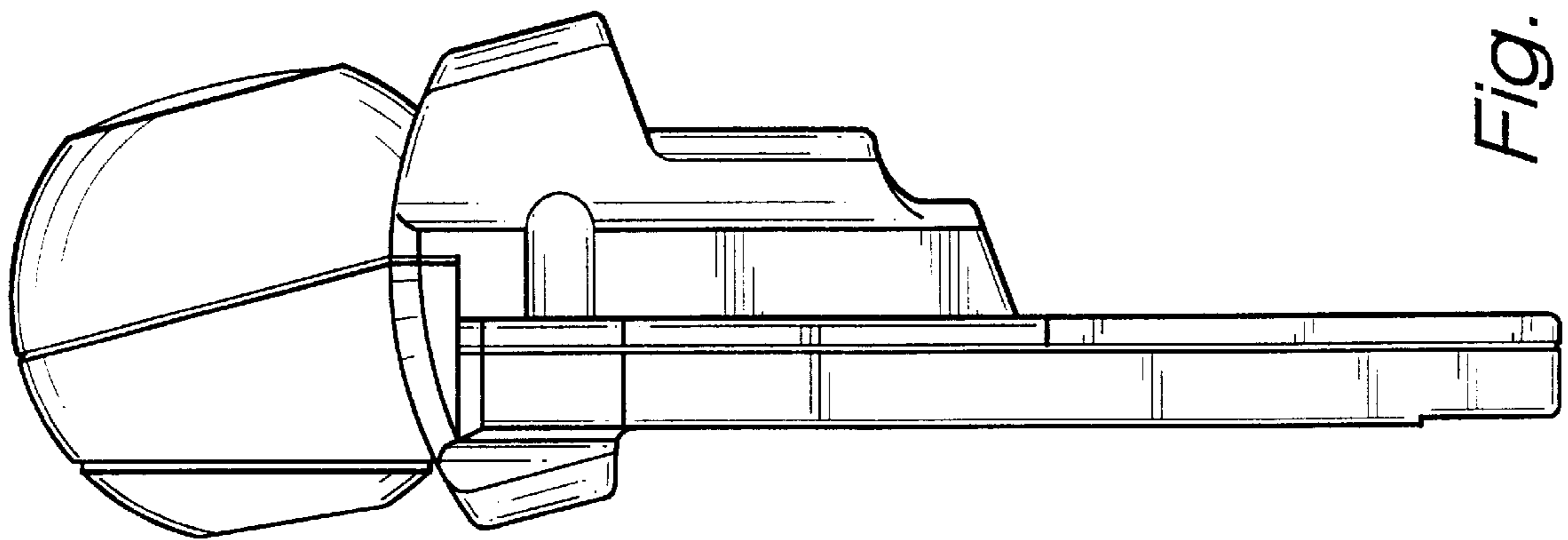
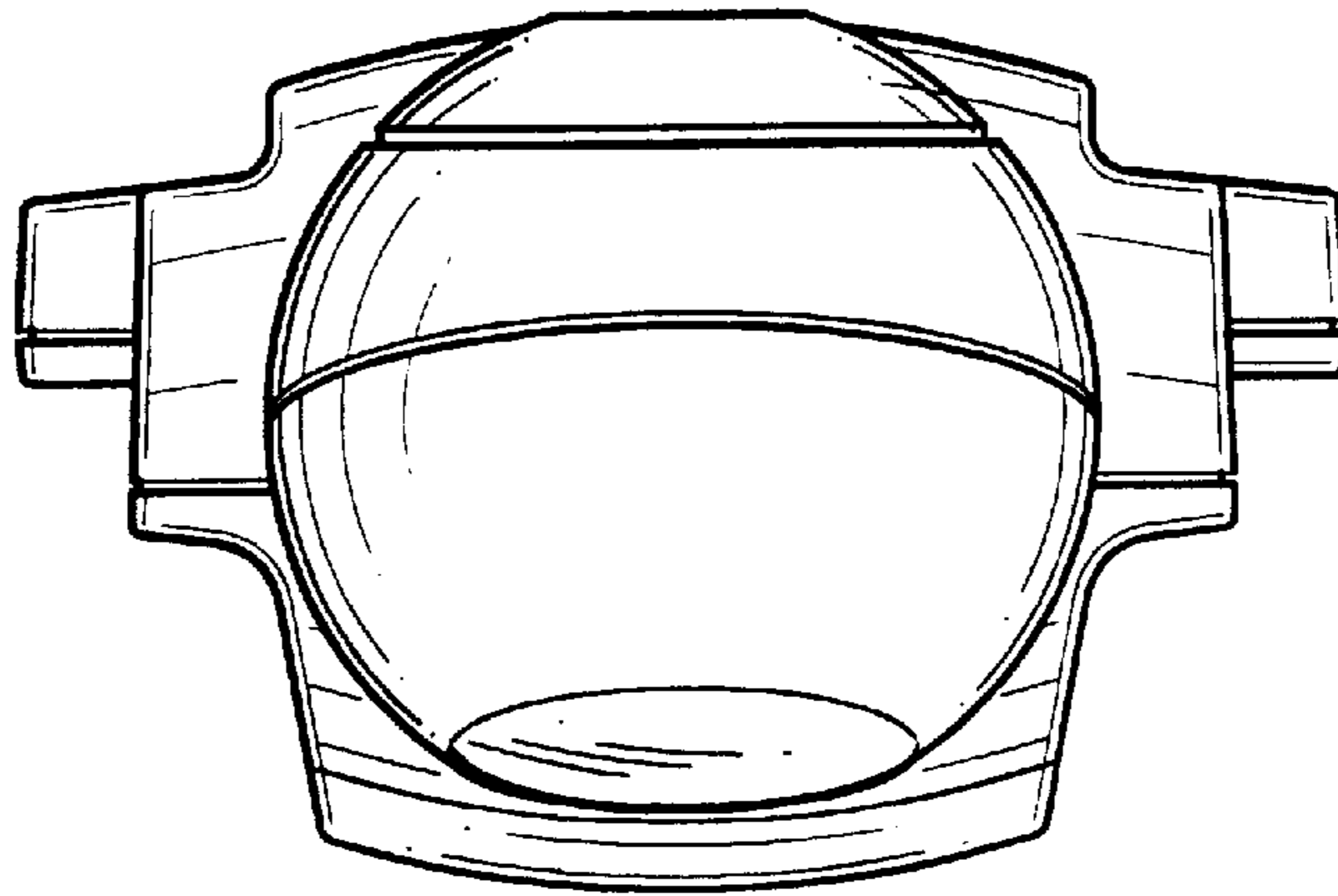
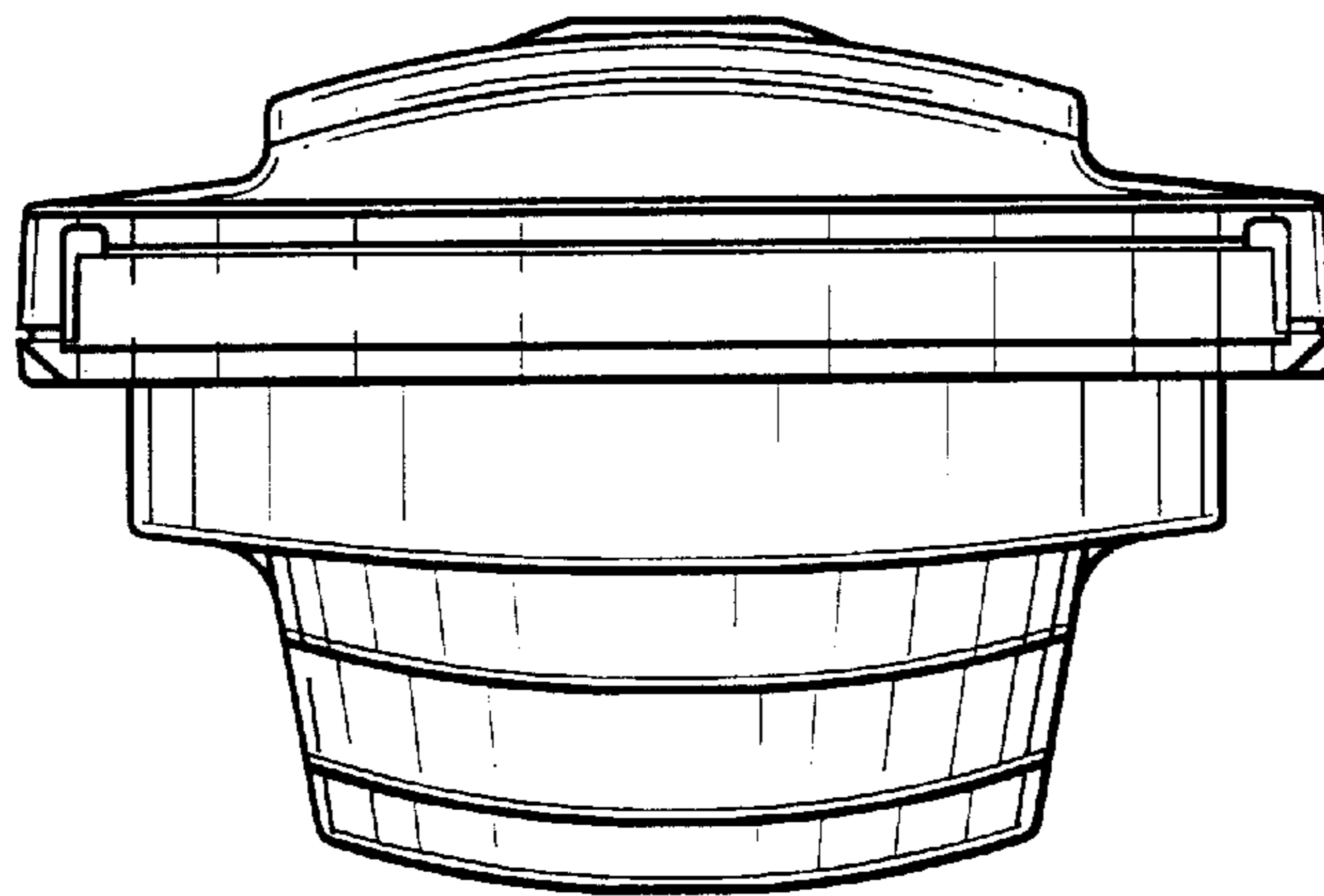


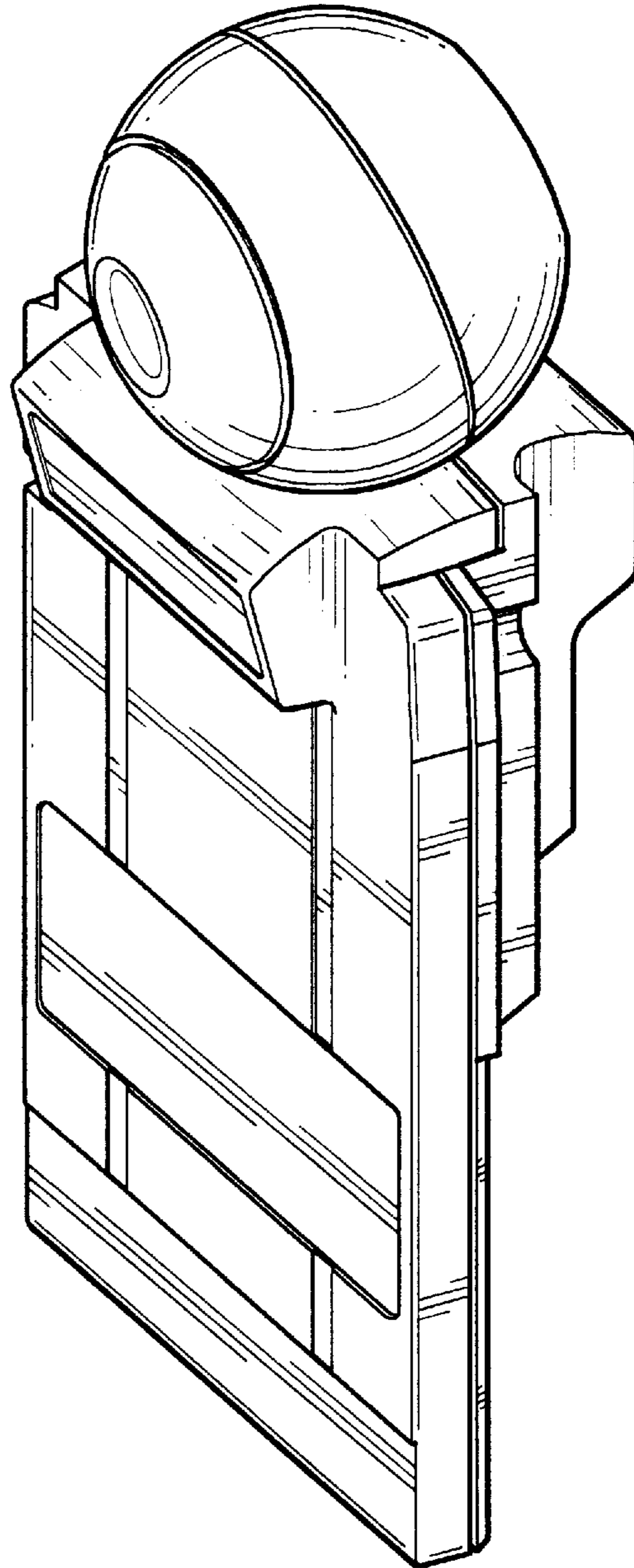
Fig. 3



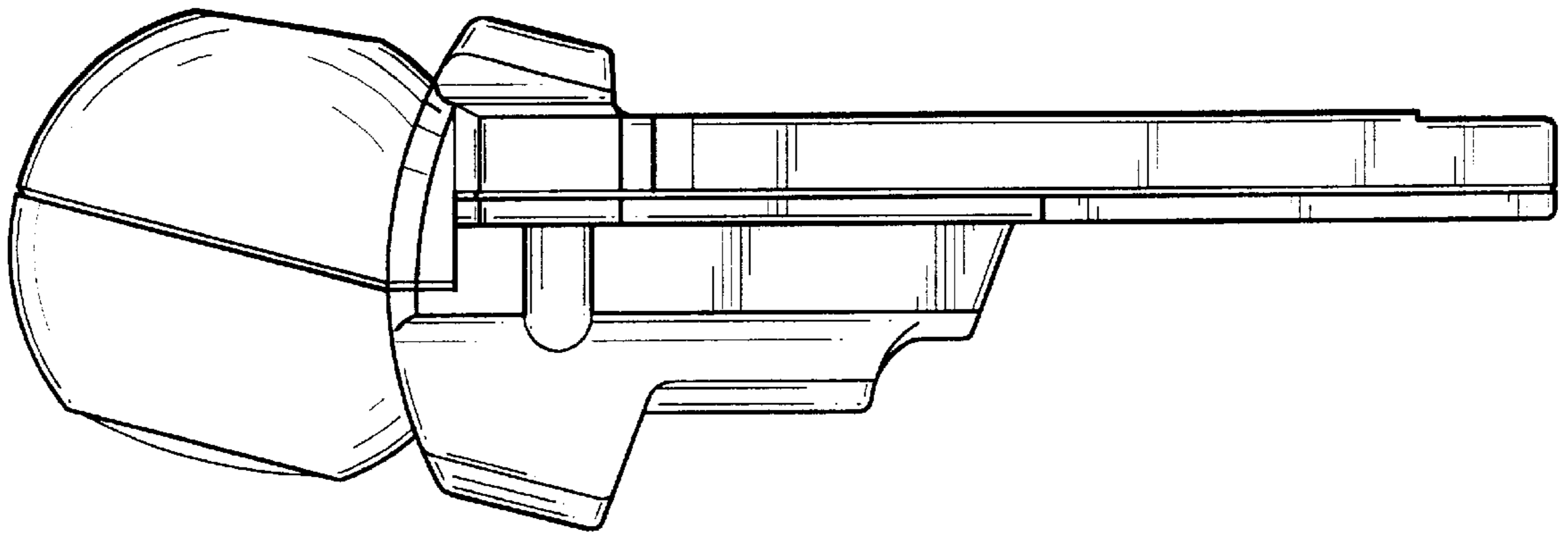
*Fig. 5*



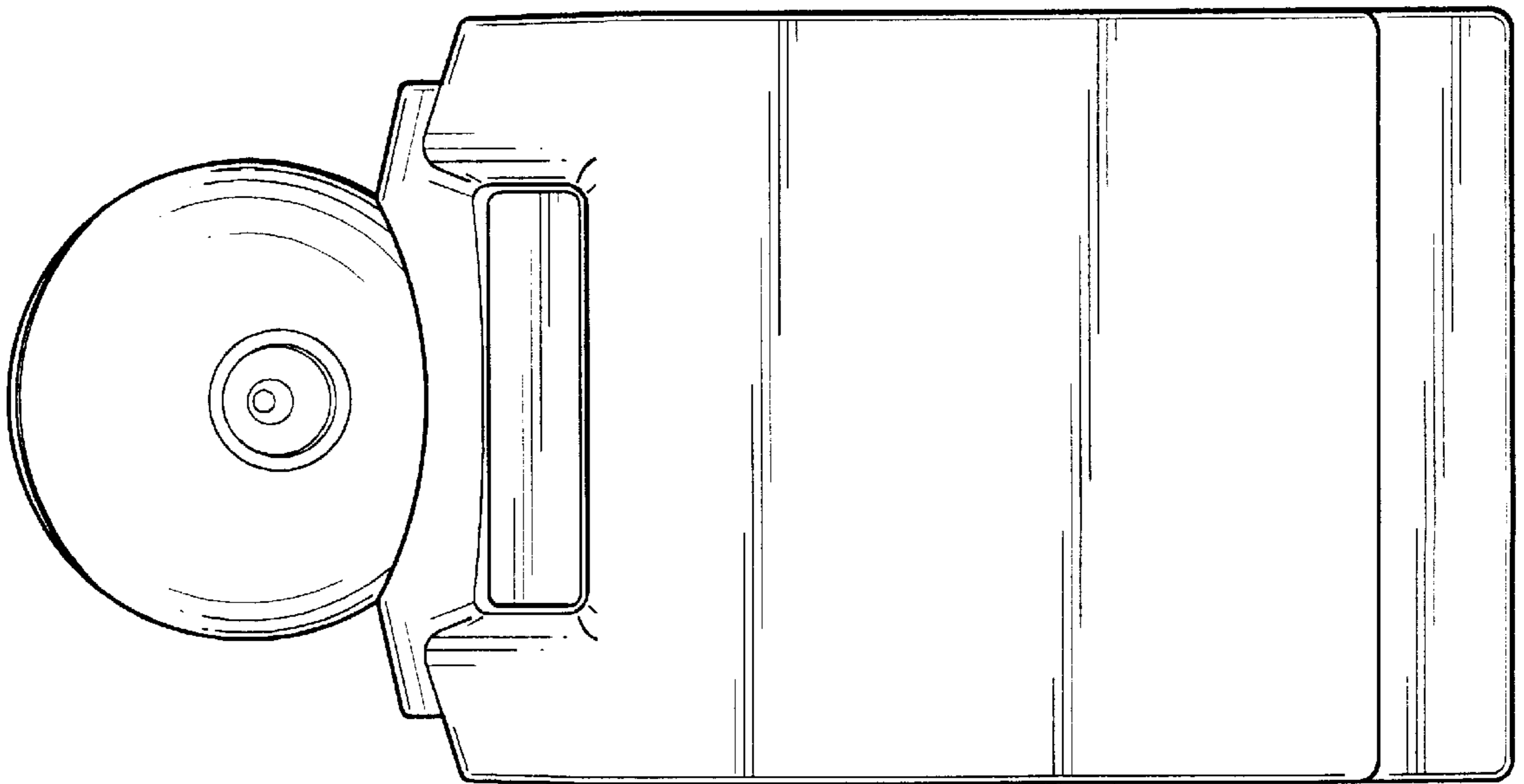
*Fig. 6*



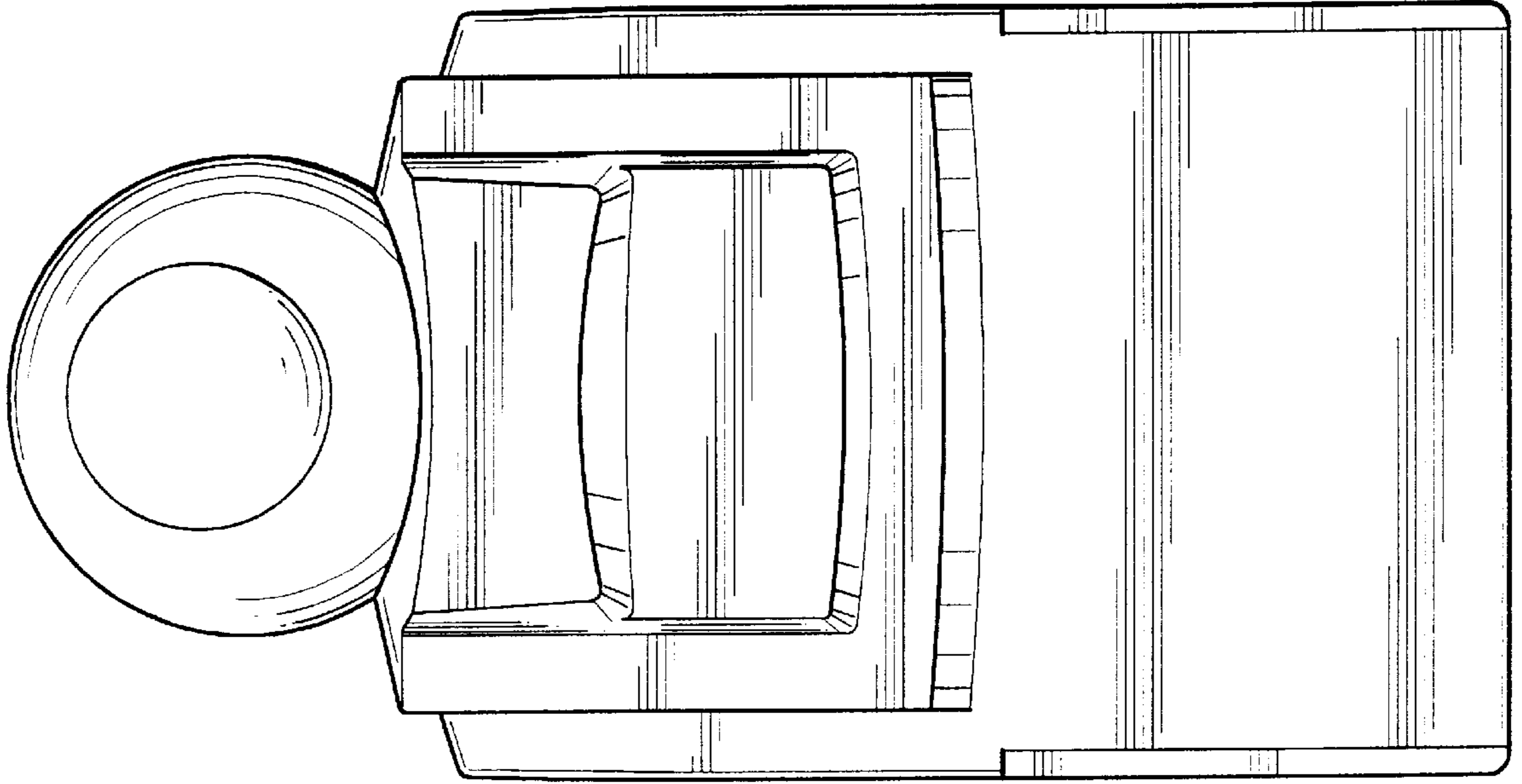
*Fig. 7*



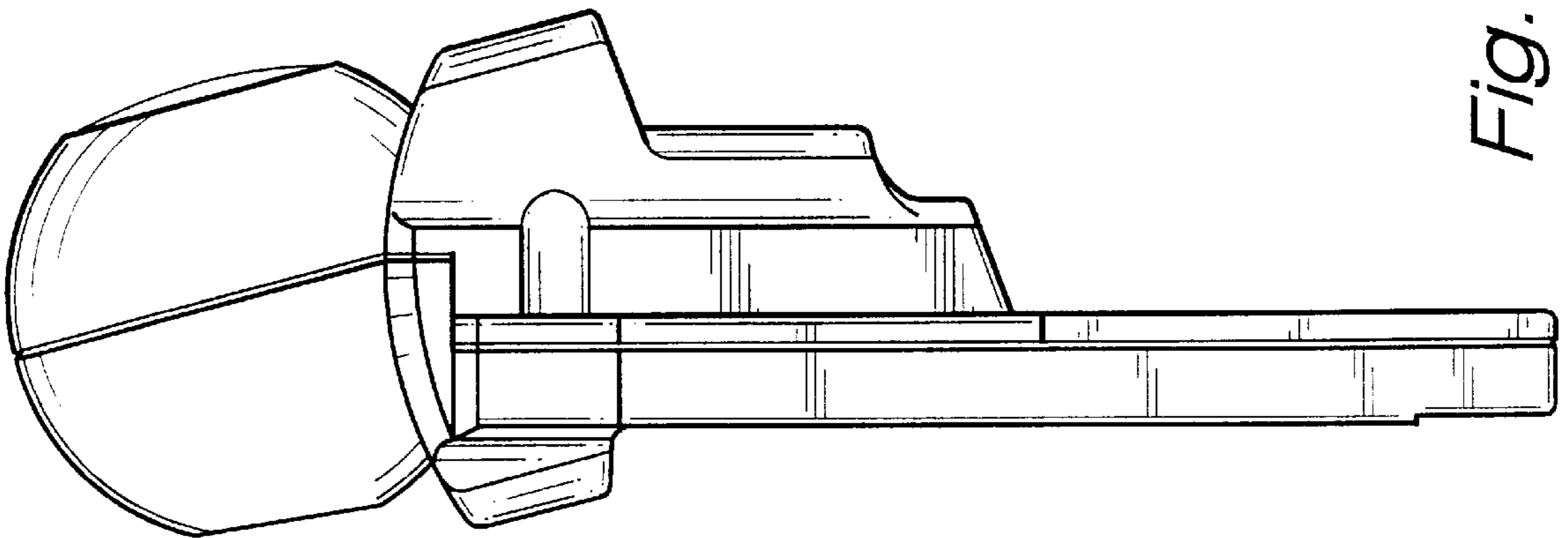
*Fig. 9*



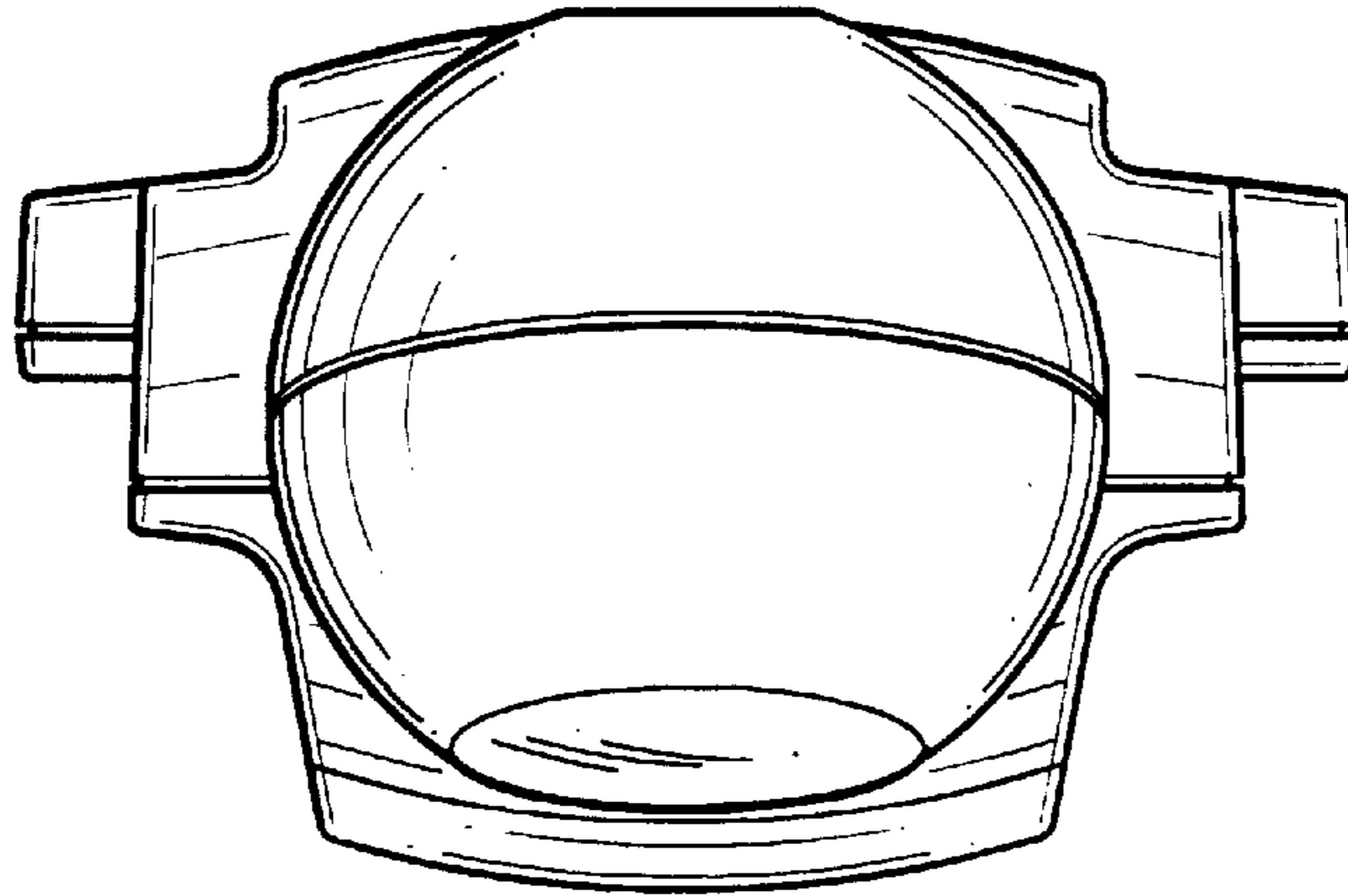
*Fig. 8*



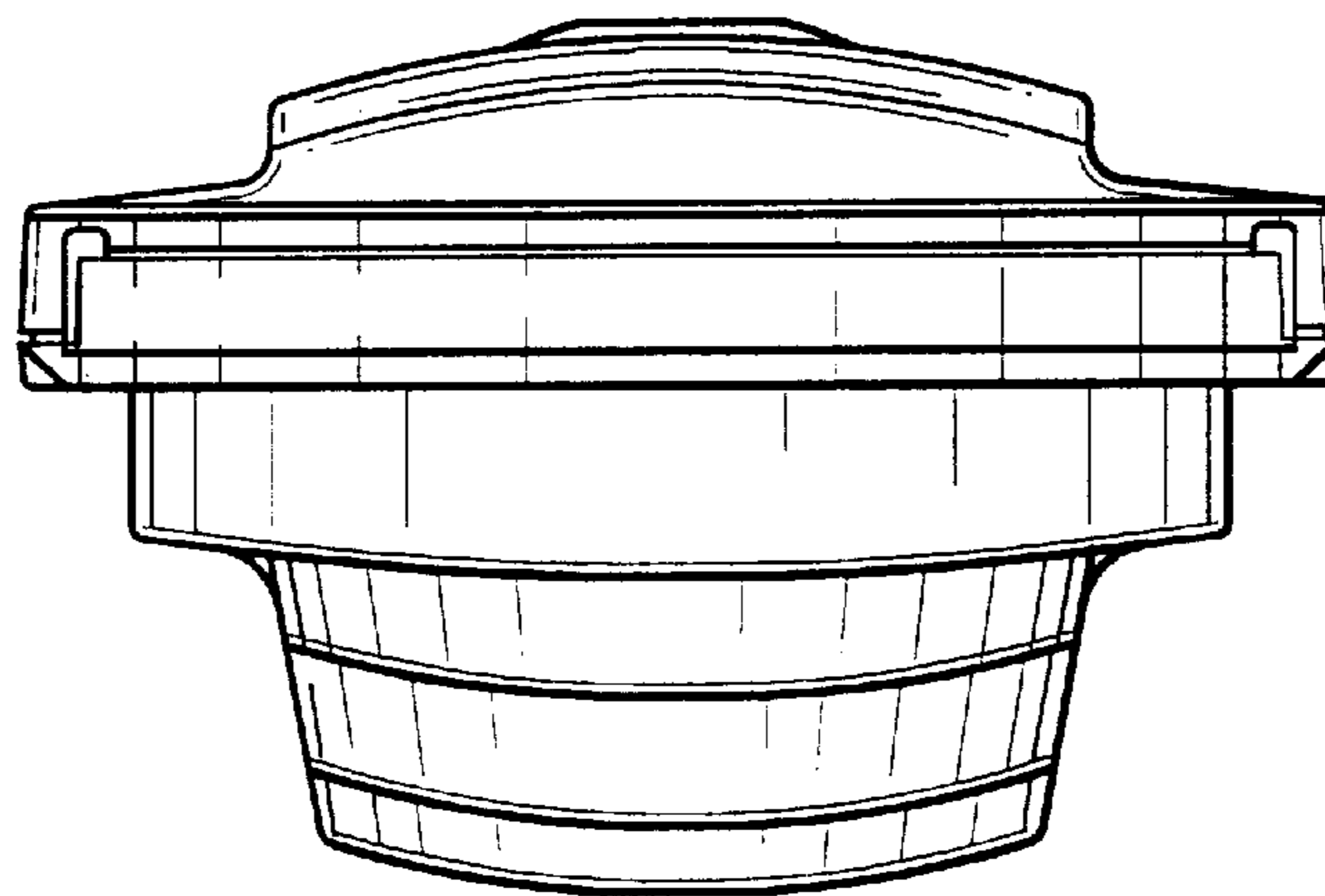
*Fig. 11*



*Fig. 10*

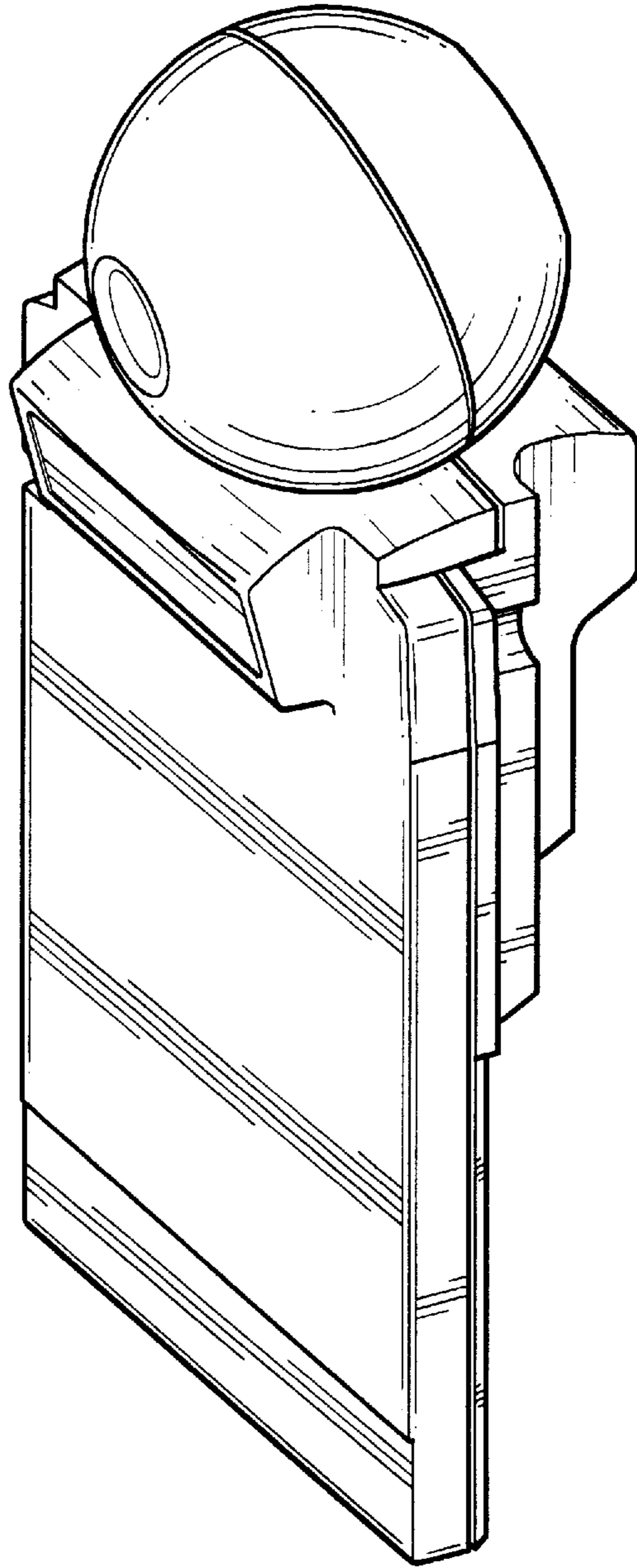


*Fig. 12*



*Fig. 13*





*Fig. 14*