



US00D407759S

United States Patent [19]

[11] Patent Number: **Des. 407,759**

Isetani et al.

[45] Date of Patent: ****Apr. 6, 1999**

[54] **GAME MACHINE**

4,960,117 10/1990 Mongrief et al. 463/46
5,320,351 6/1994 Suzuki 463/33 X

[75] Inventors: **Yoshitsugu Isetani; Yuji Tamura;
Koichi Nishio**, all of Kobe, Japan

OTHER PUBLICATIONS

[73] Assignee: **Konami Co., Ltd.**, Hyogo-ken, Japan

Sega Enterprised Brochure, 1994.
Marine Jet, p. 134, Apr. 1996.

[**] Term: **14 Years**

Primary Examiner—Prabhakar G. Deshmukh
Attorney, Agent, or Firm—Jordan and Hamburg LLP

[21] Appl. No.: **84,063**

[57] **CLAIM**

[22] Filed: **Feb. 24, 1998**

The ornamental design for a game machine, as shown and described.

[30] Foreign Application Priority Data

Aug. 29, 1997 [JP] Japan 9-66194

DESCRIPTION

[51] **LOC (6) Cl.** **21-01**

FIG. 1 is a perspective view of a game machine showing our new design;

[52] **U.S. Cl.** **D21/326**

FIG. 2 is another perspective view thereof;

[58] **Field of Search** D21/324–327,

D21/811; 463/301.1, 46, 47, 49, 50, 51,
58; 273/148 B

FIG. 3 is a front view thereof;

FIG. 4 is a rear view thereof;

FIG. 5 is a left side view thereof;

FIG. 6 is a right side view thereof;

FIG. 7 is a top view thereof;

FIG. 8 is a bottom view thereof;

FIG. 9 is a sectional view taken along the line 9—9 in FIG. 3; and,

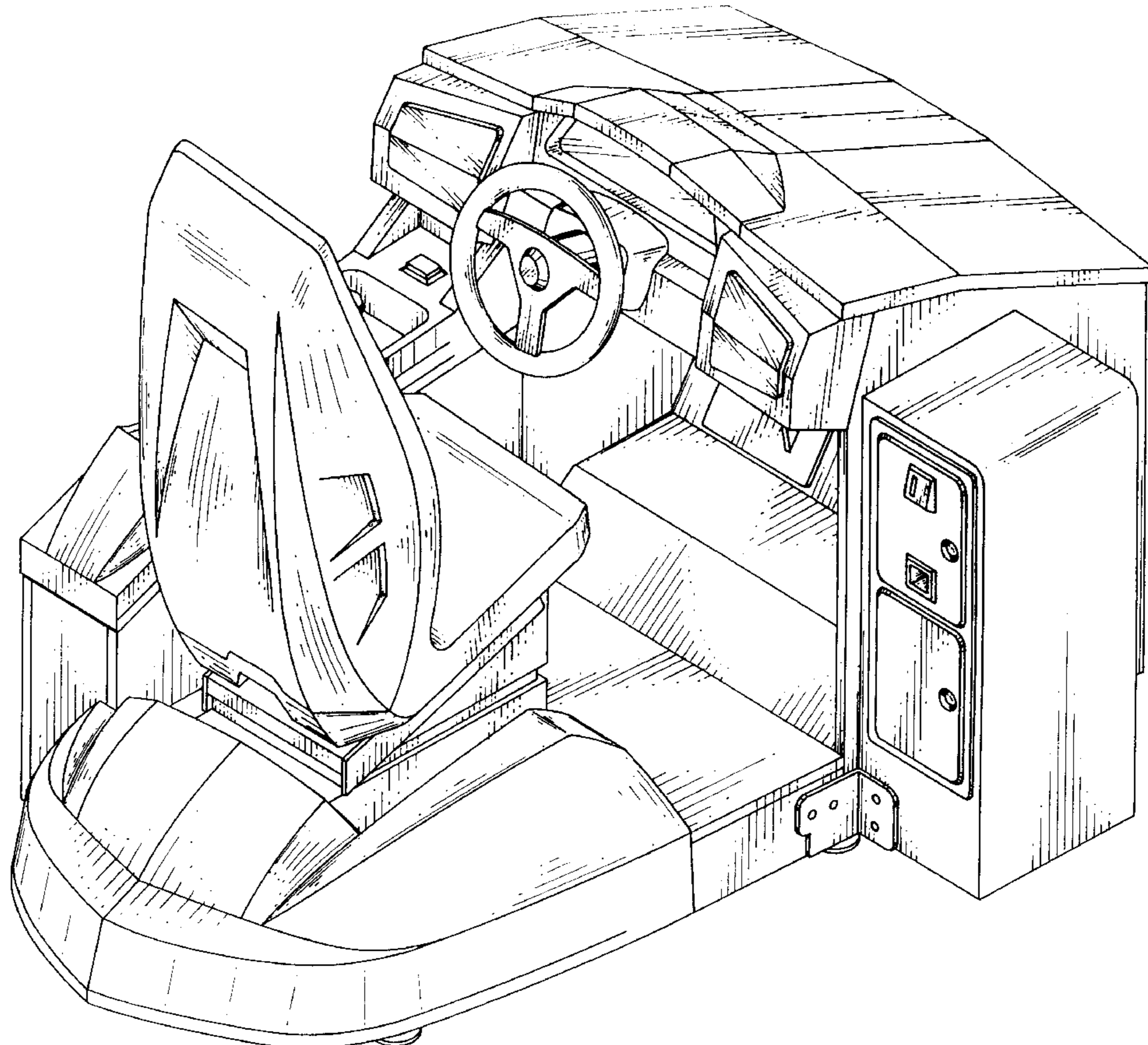
FIG. 10 is a sectional view taken along the line 10—10 in FIG. 6.

[56] References Cited

U.S. PATENT DOCUMENTS

D. 318,073	7/1991	Jang	D21/326
D. 376,391	12/1996	Okumura	D21/326
D. 380,779	7/1997	Shinzato	D21/326
D. 392,688	3/1998	Isetani et al.	D21/326
D. 392,689	3/1998	Muraki et al.	D21/326
4,659,313	4/1987	Kuster et al.	463/37 X

1 Claim, 10 Drawing Sheets



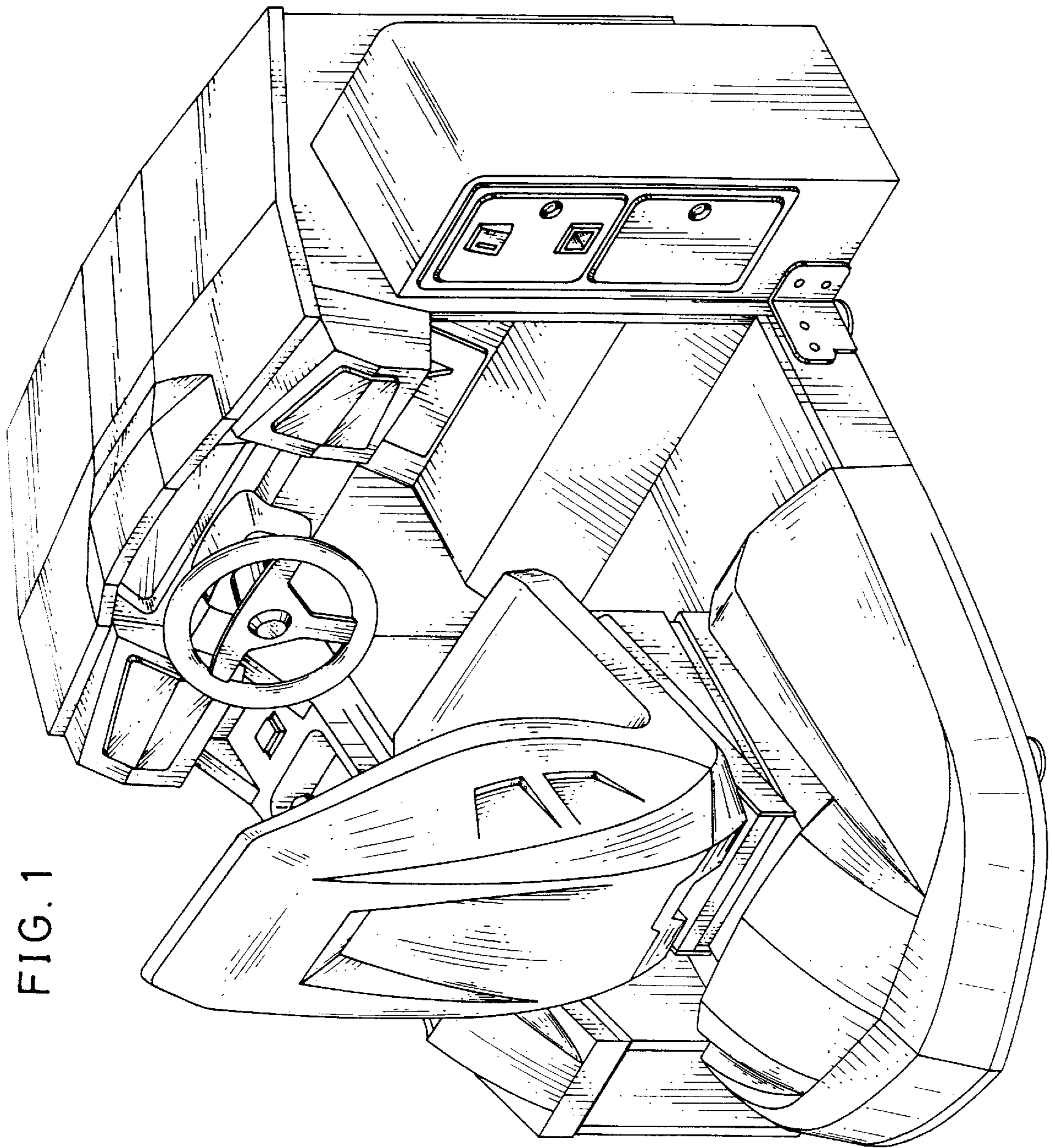


FIG. 1

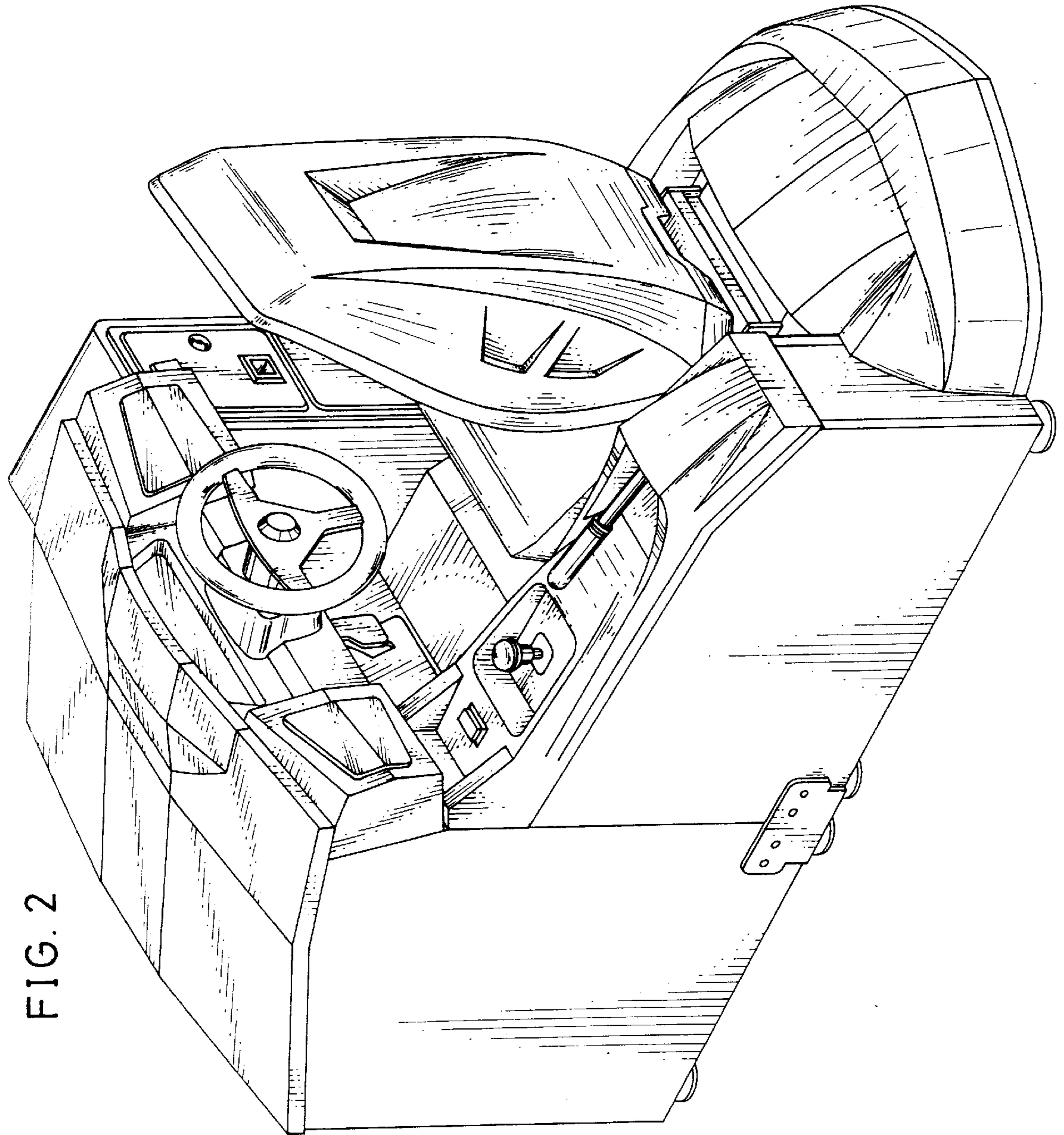


FIG. 2

FIG. 3

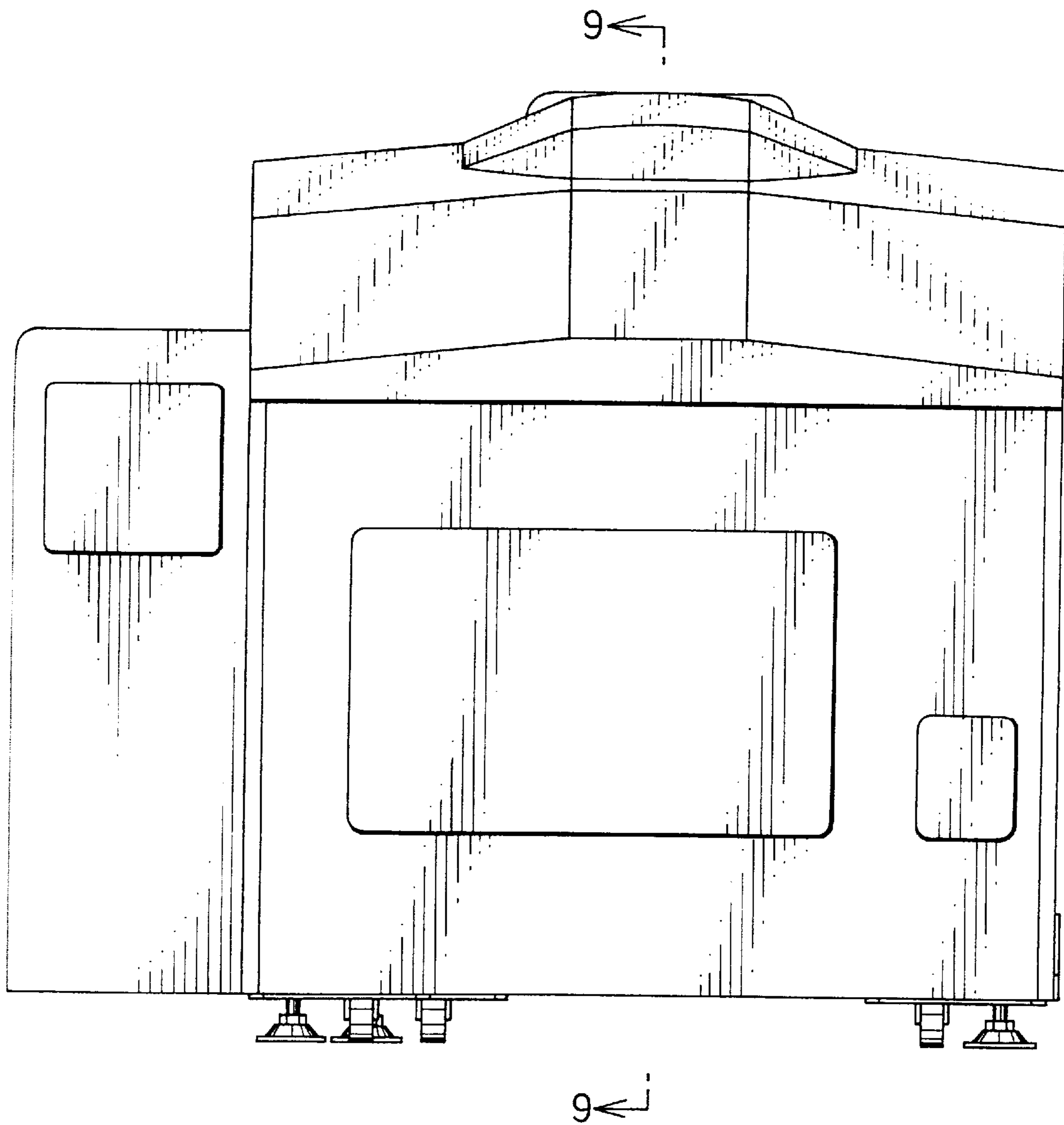


FIG. 4

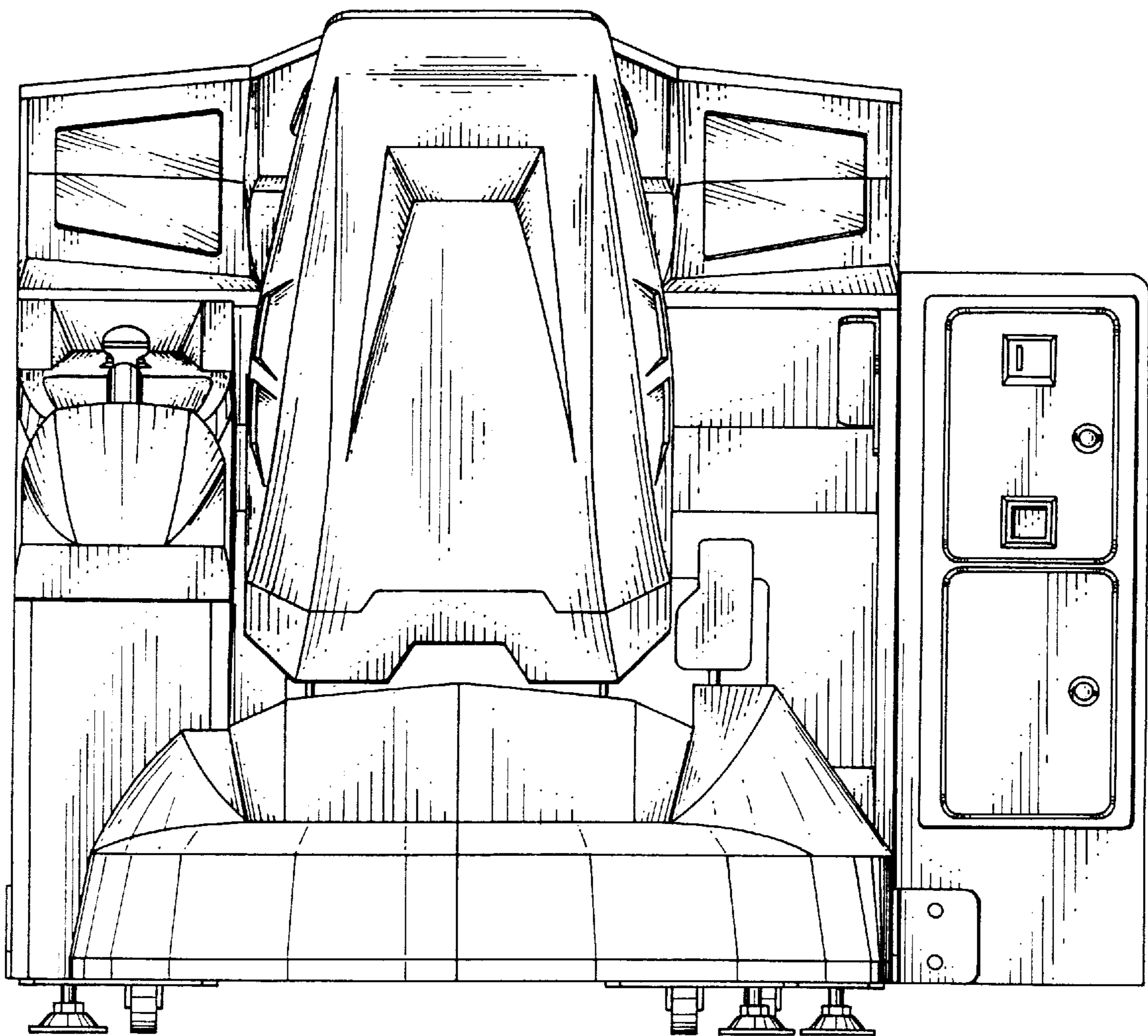


FIG. 5

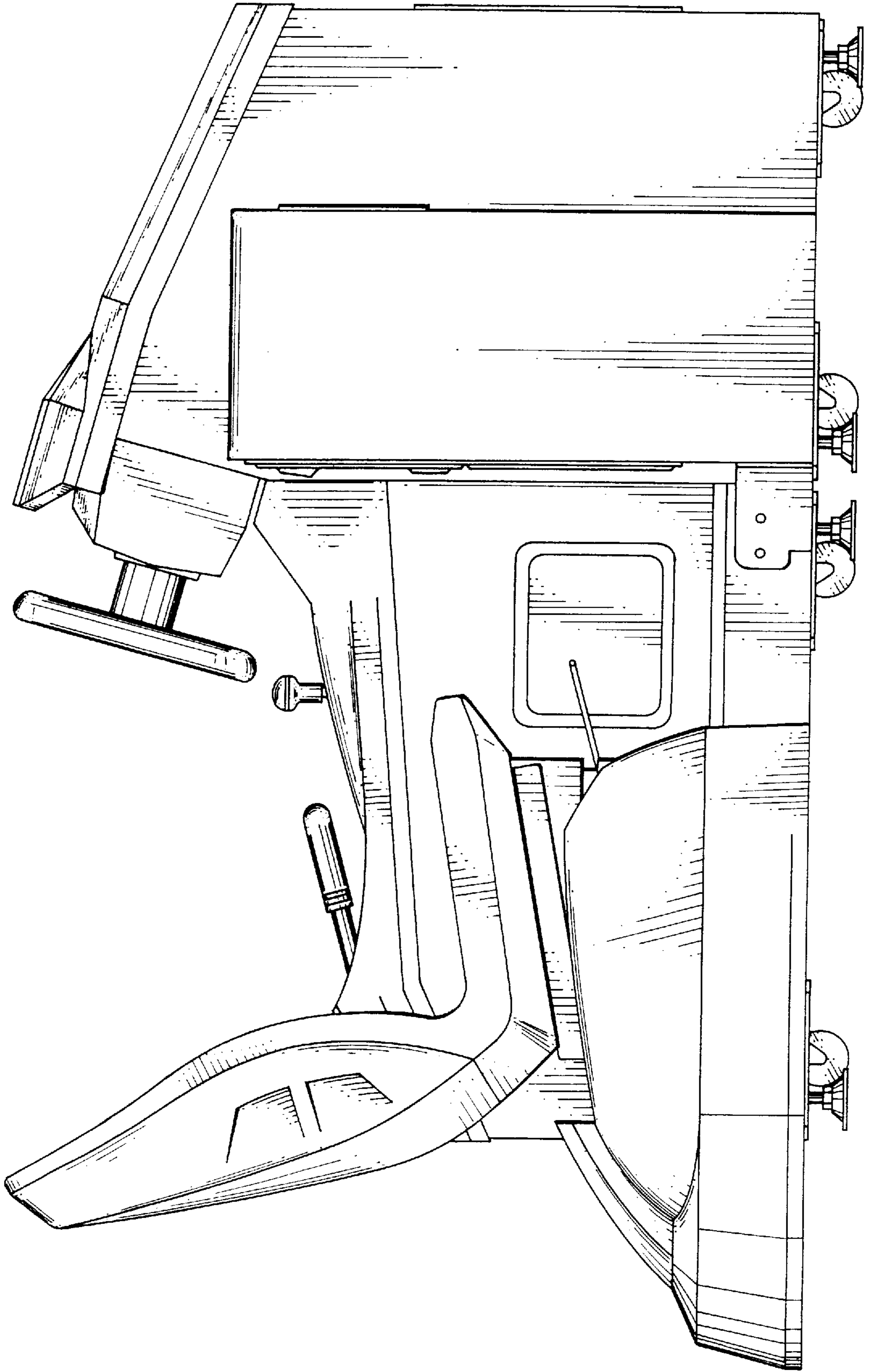


FIG. 6

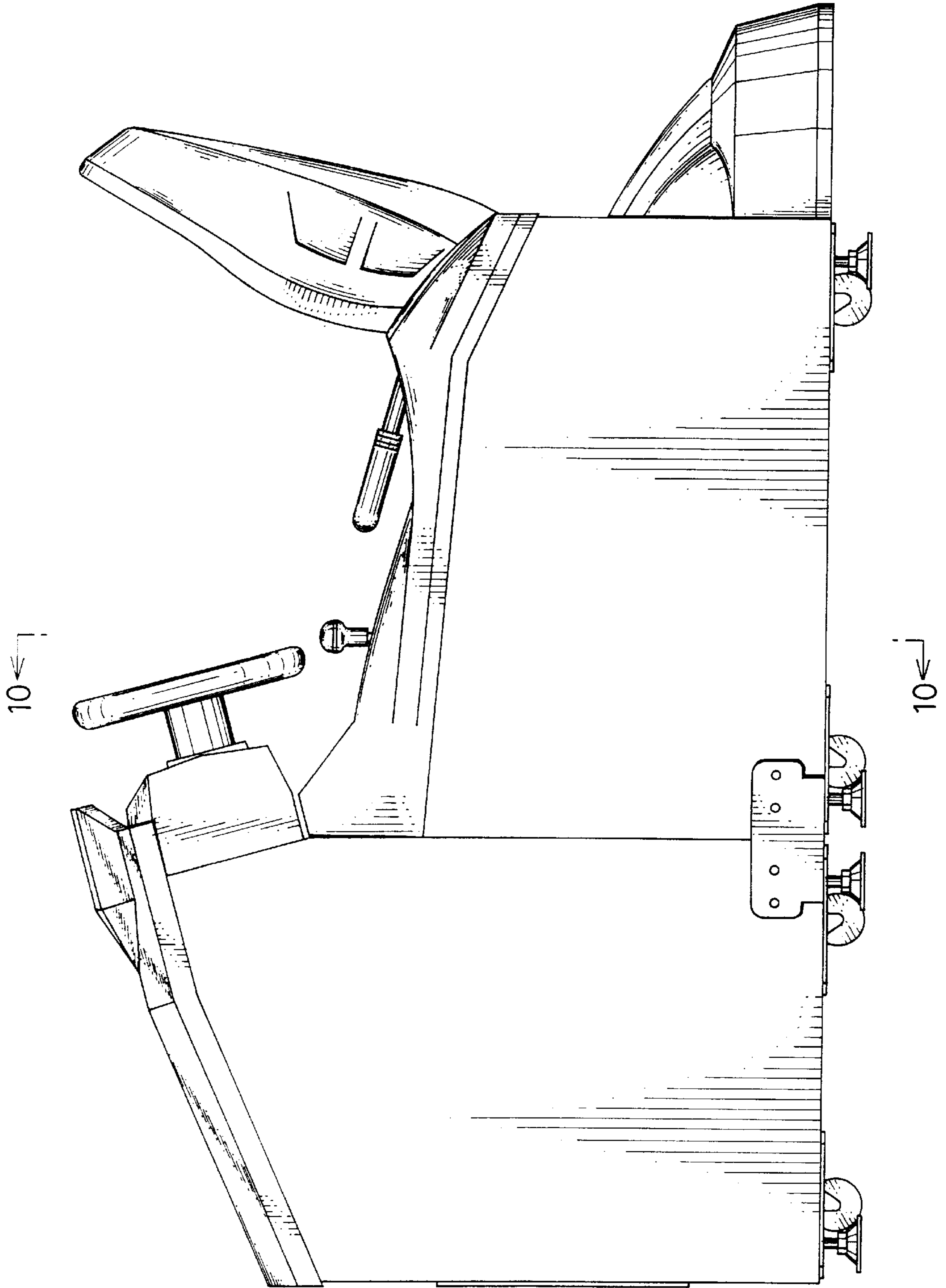


FIG. 7

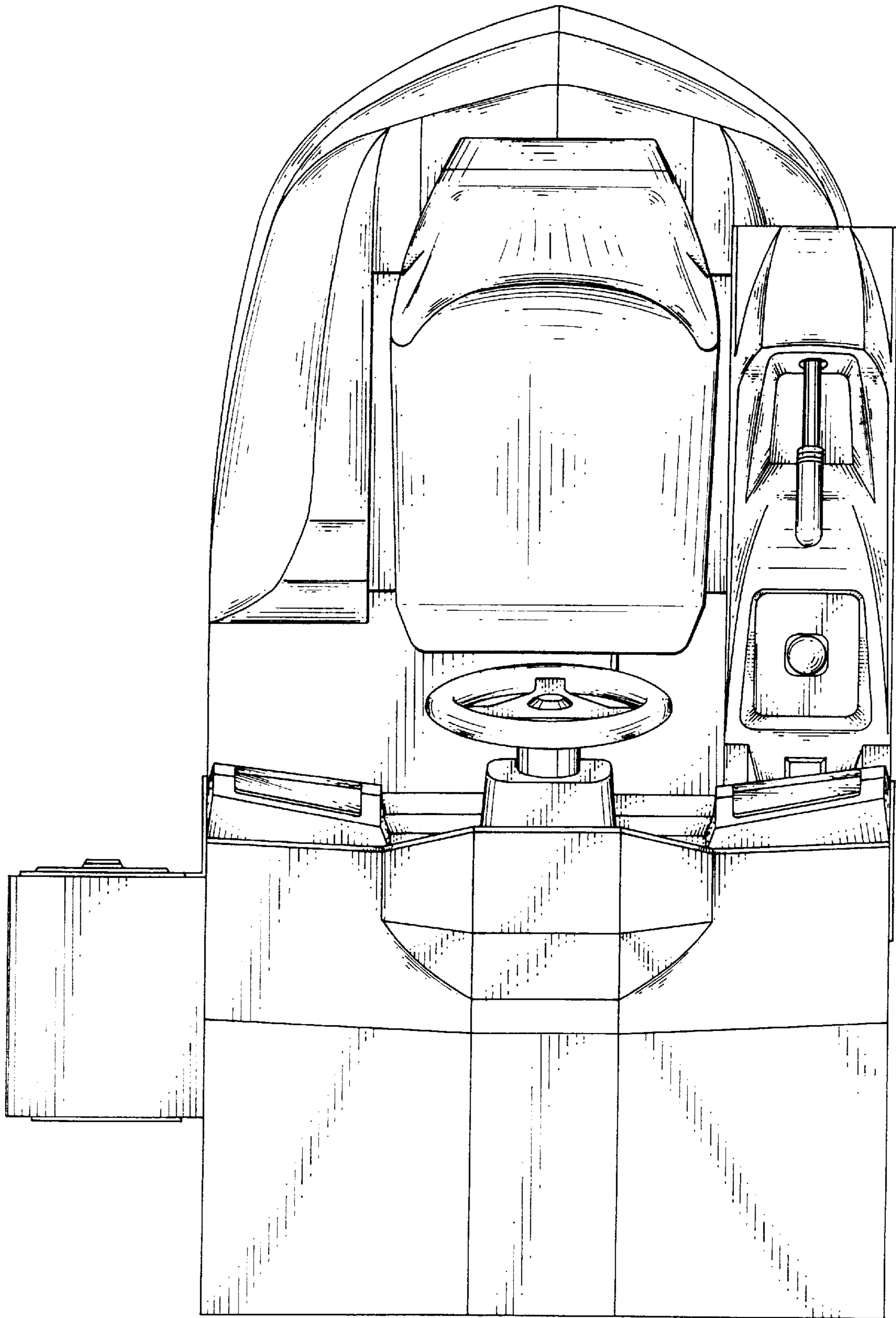


FIG. 8

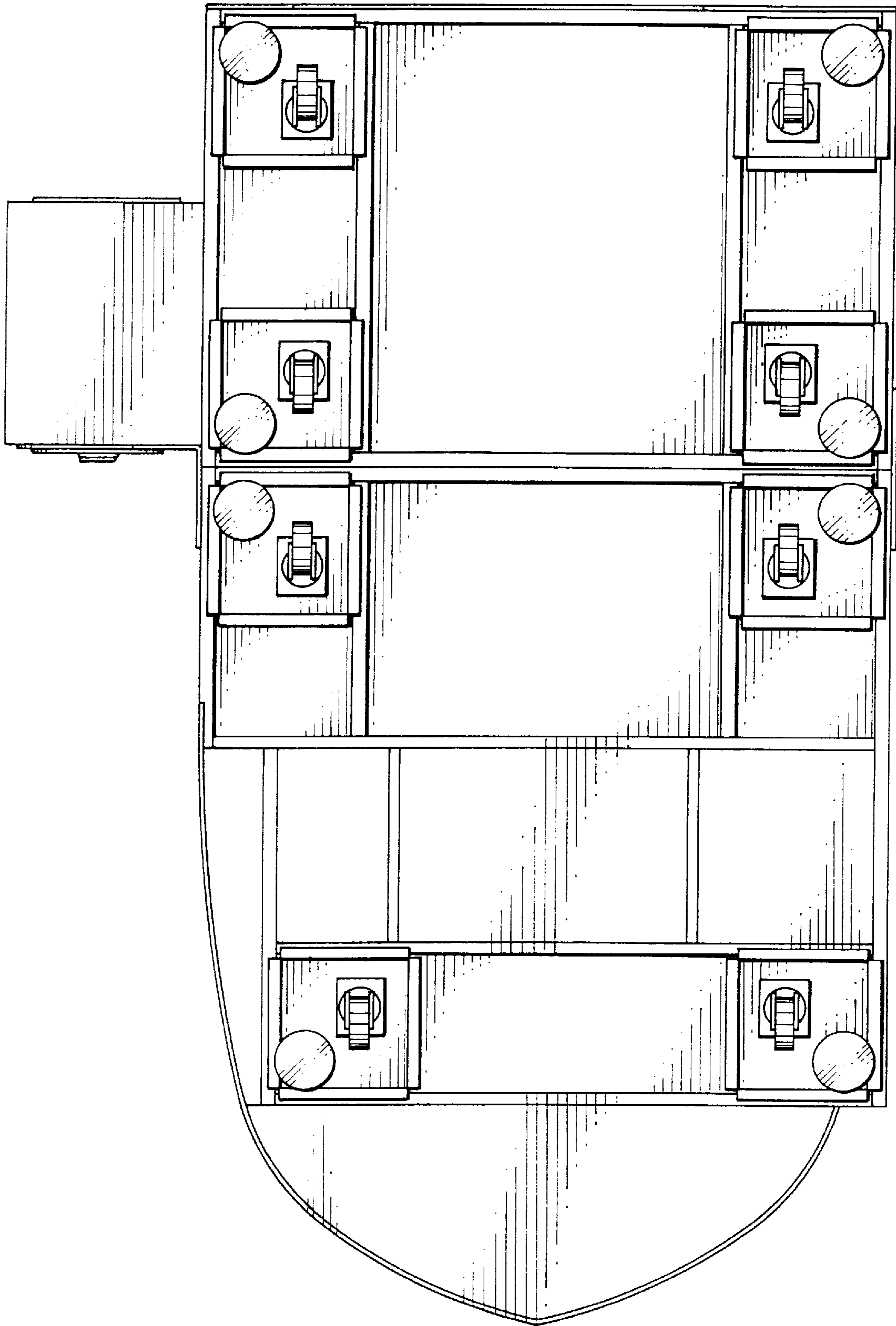


FIG. 9

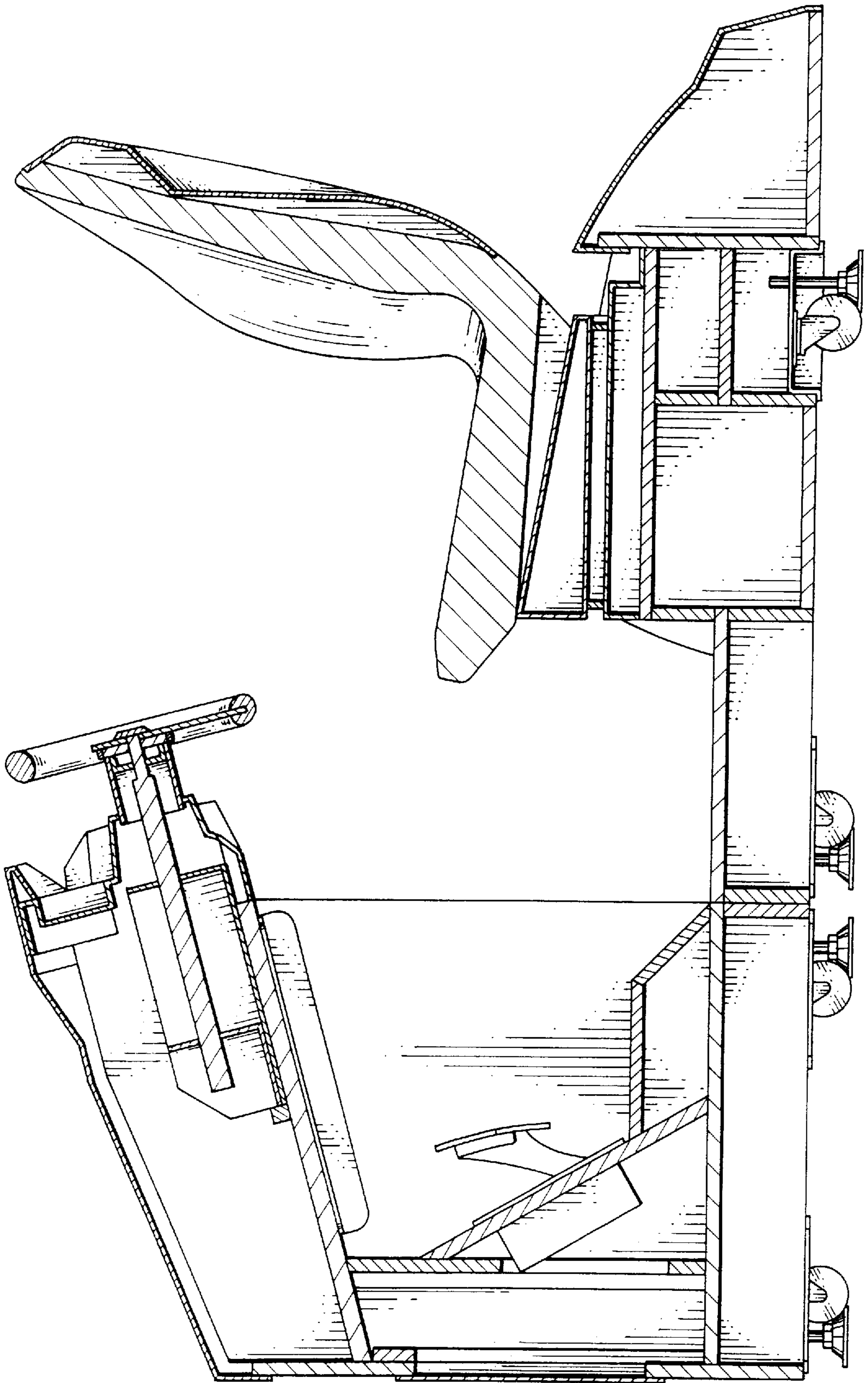


FIG. 10

