



US00D407758S

United States Patent [19]

Isetani et al.

[11] Patent Number: Des. 407,758

[45] Date of Patent: **Apr. 6, 1999

[54] GAME MACHINE

5,320,351 6/1994 Suzuki 463/33 X

[75] Inventors: Yoshitsugu Isetani; Yuji Tamura; Koichi Nishio, all of Kobe, Japan

OTHER PUBLICATIONS

Sega Enterprises Brochure, 1994.
Marine Jet, p. 134, Apr. 1996.

[73] Assignee: Konami Co., Ltd., Hyogo-ken, Japan

Primary Examiner—Prabhakar G. Deshmukh
Attorney, Agent, or Firm—Jordan and Hamburg LLP

[**] Term: 14 Years

[21] Appl. No.: 84,061

[57] CLAIM

[22] Filed: Feb. 24, 1998

The ornamental design for a game machine, as shown and described.

[30] Foreign Application Priority Data

DESCRIPTION

Aug. 29, 1997 [JP] Japan 9-66192

[51] LOC (6) Cl. 21-01

FIG. 1 is a perspective view of a game machine showing our new design;

[52] U.S. Cl. D21/326

FIG. 2 is a front view thereof;

[58] Field of Search D21/324-327,
D21/811; 463/30.1, 46, 47, 49, 50, 51,
58; 273/148 B

FIG. 3 is a rear view thereof;

FIG. 4 is a left side view thereof;

FIG. 5 is a right side view thereof;

FIG. 6 is a top view thereof;

FIG. 7 is a bottom view thereof;

FIG. 8 is a sectional view taken along the line 8—8 in FIG. 2;

FIG. 9 is a sectional view taken along the line 9—9 in FIG. 2; and,

FIG. 10 is a sectional view taken along the line 10—10 in FIG. 5.

[56] References Cited

U.S. PATENT DOCUMENTS

- D. 318,073 7/1991 Jang D21/326
- D. 376,391 12/1996 Okumura D21/326
- D. 380,779 7/1997 Shinzato D21/326
- D. 392,688 3/1998 Isetani et al. D21/326
- D. 392,689 3/1998 Muraki et al. D21/326
- 4,659,313 4/1987 Kuster et al. 463/37 X
- 4,960,117 10/1990 Monerief et al. 463/46

1 Claim, 10 Drawing Sheets

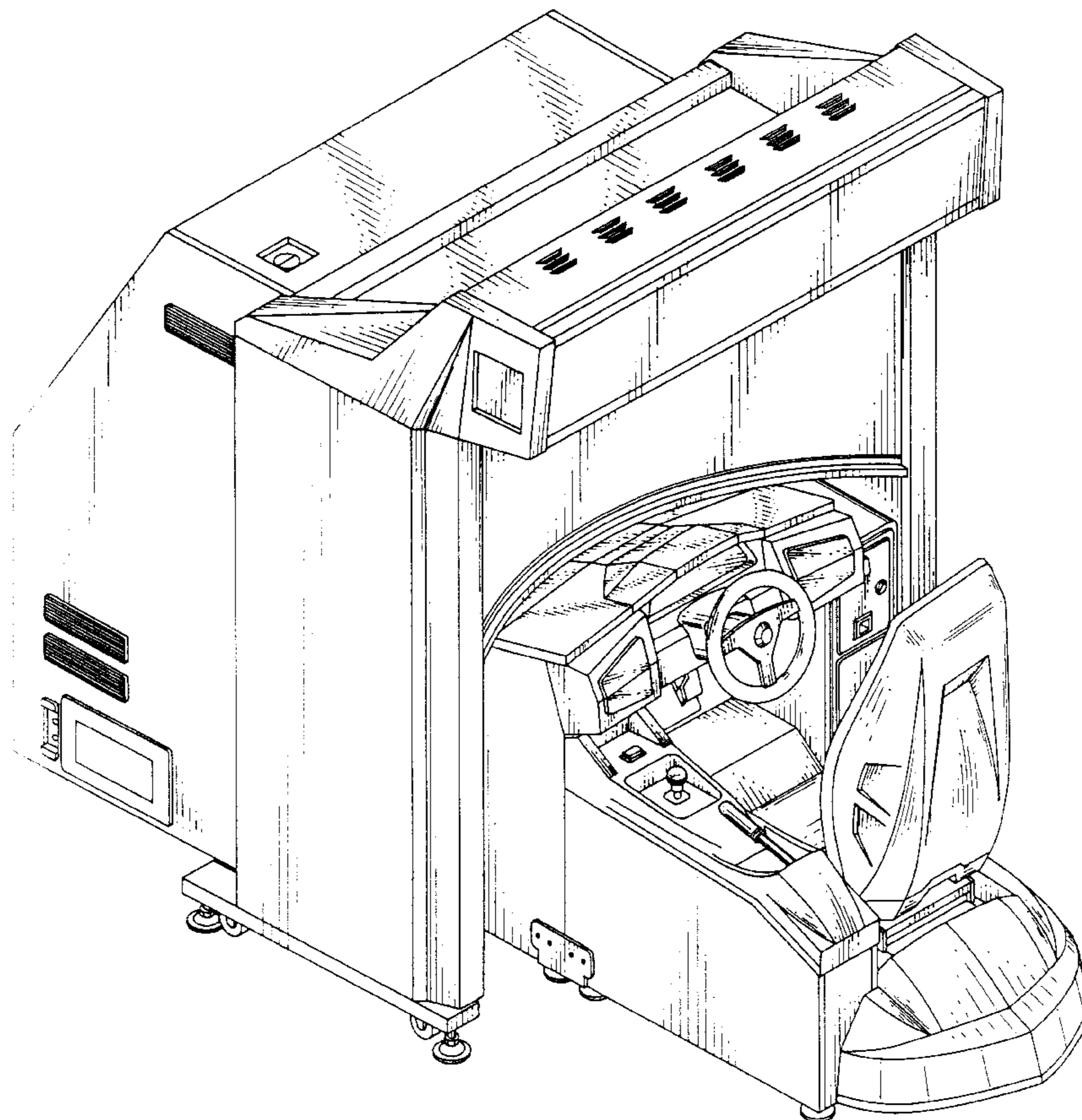


FIG. 1

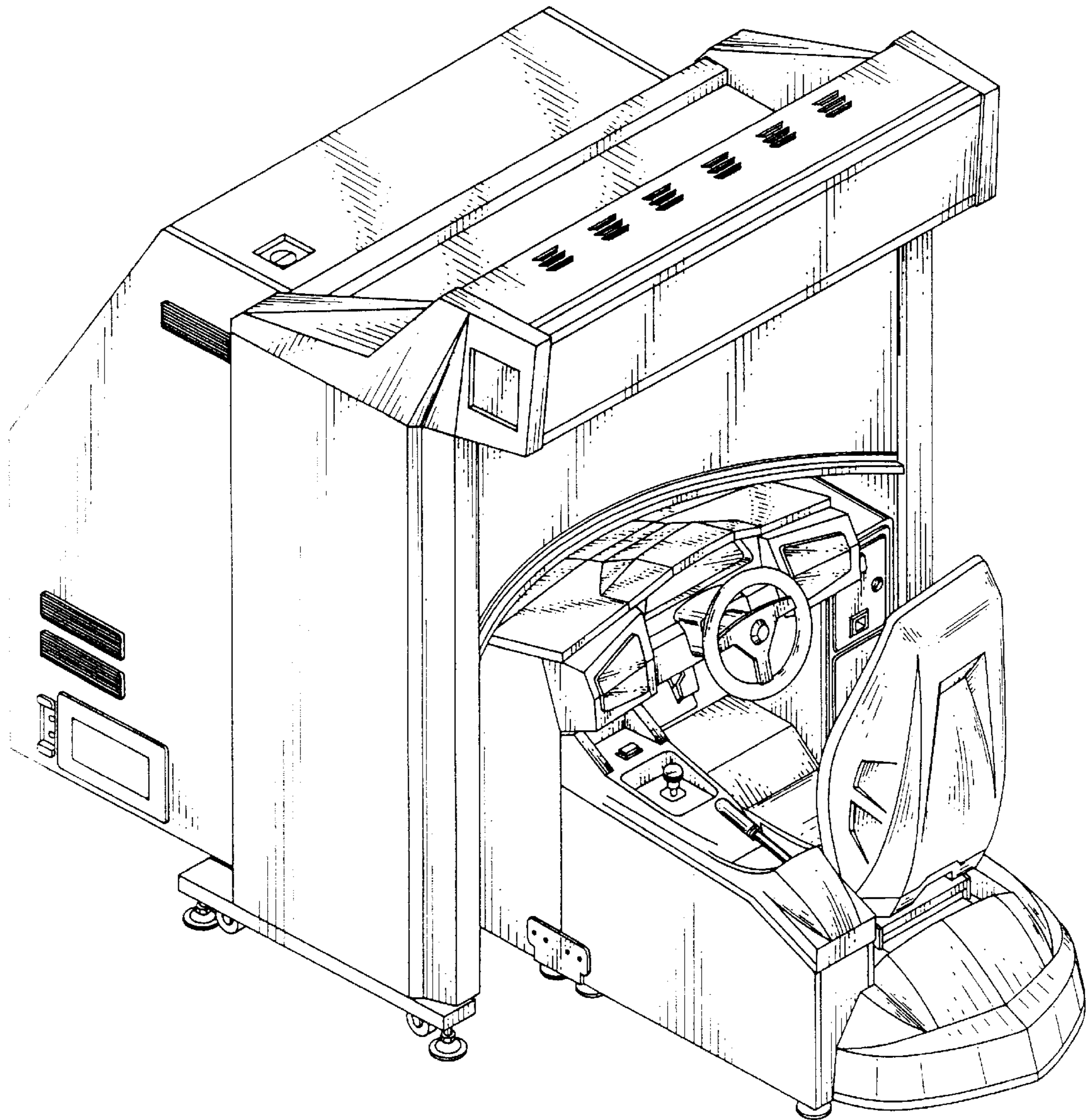
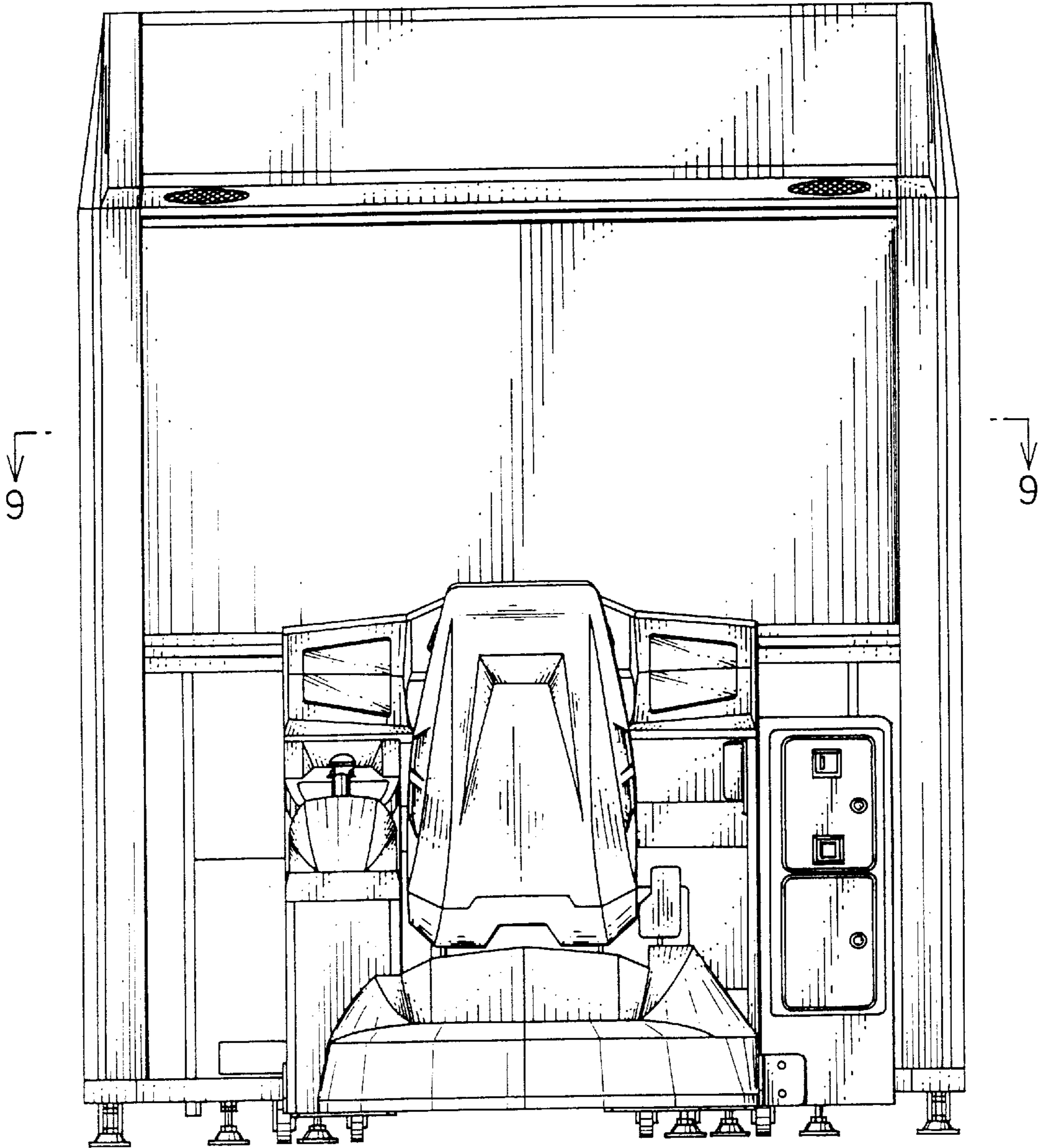


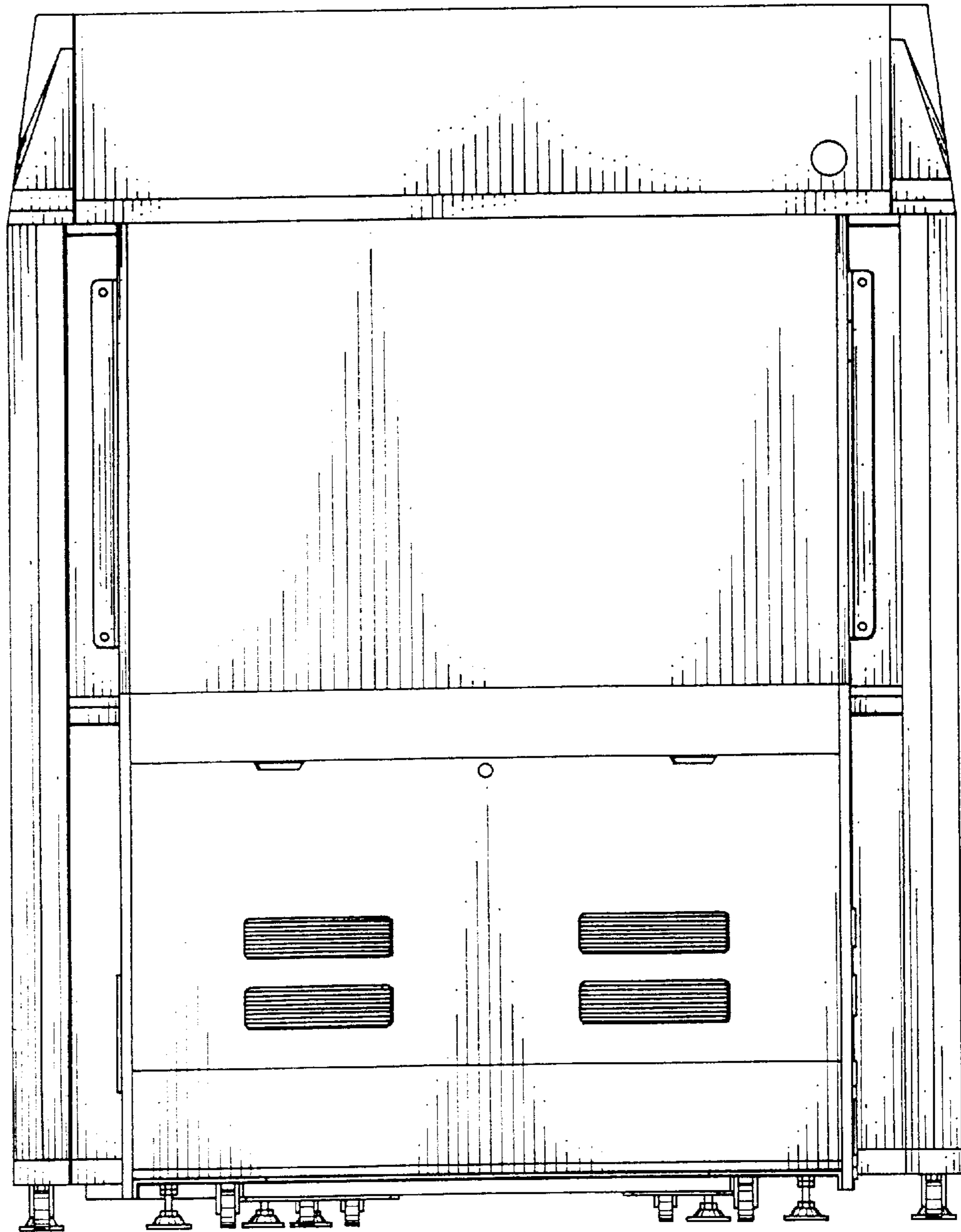
FIG. 2

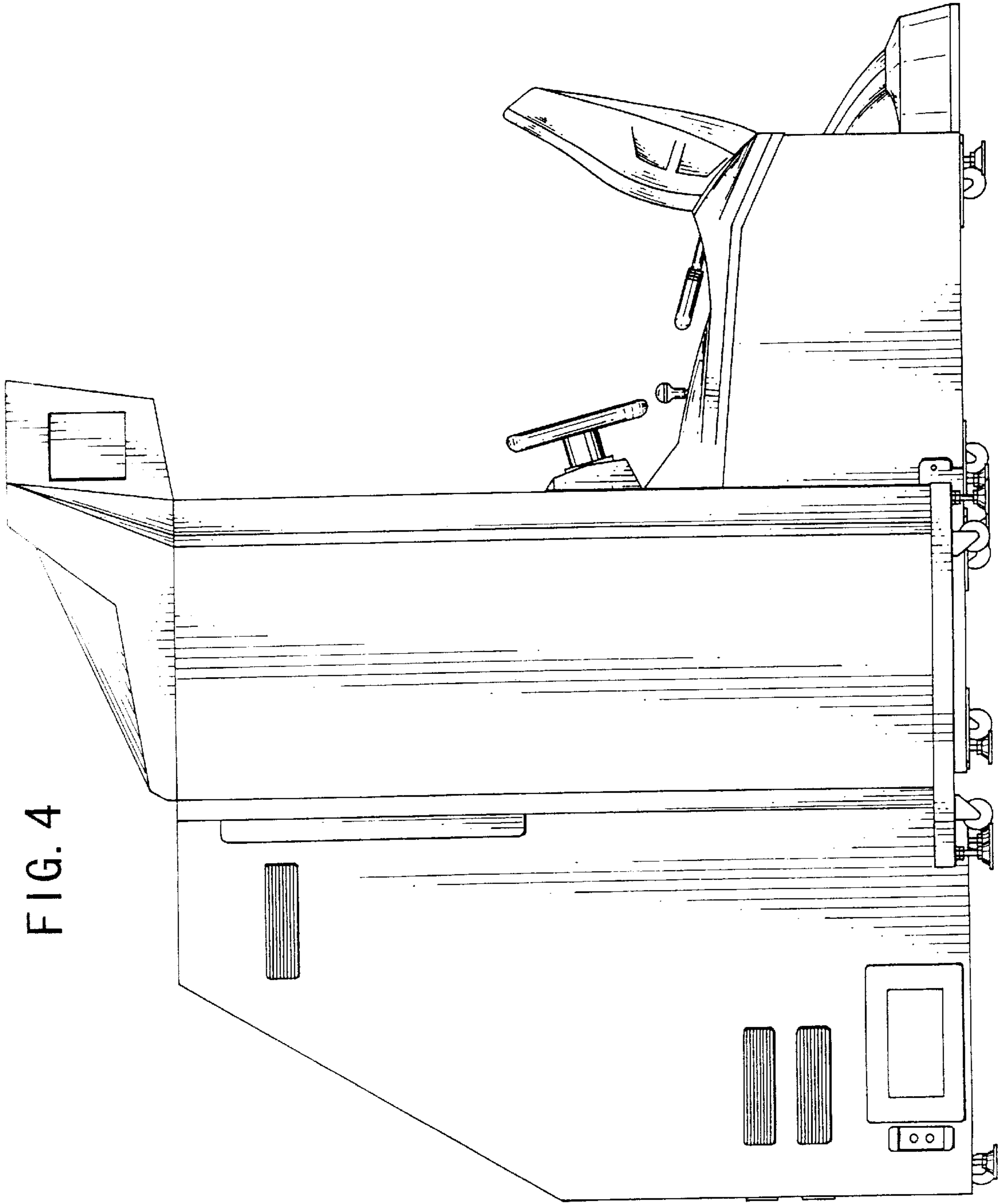
→ 8



→ 8

FIG. 3





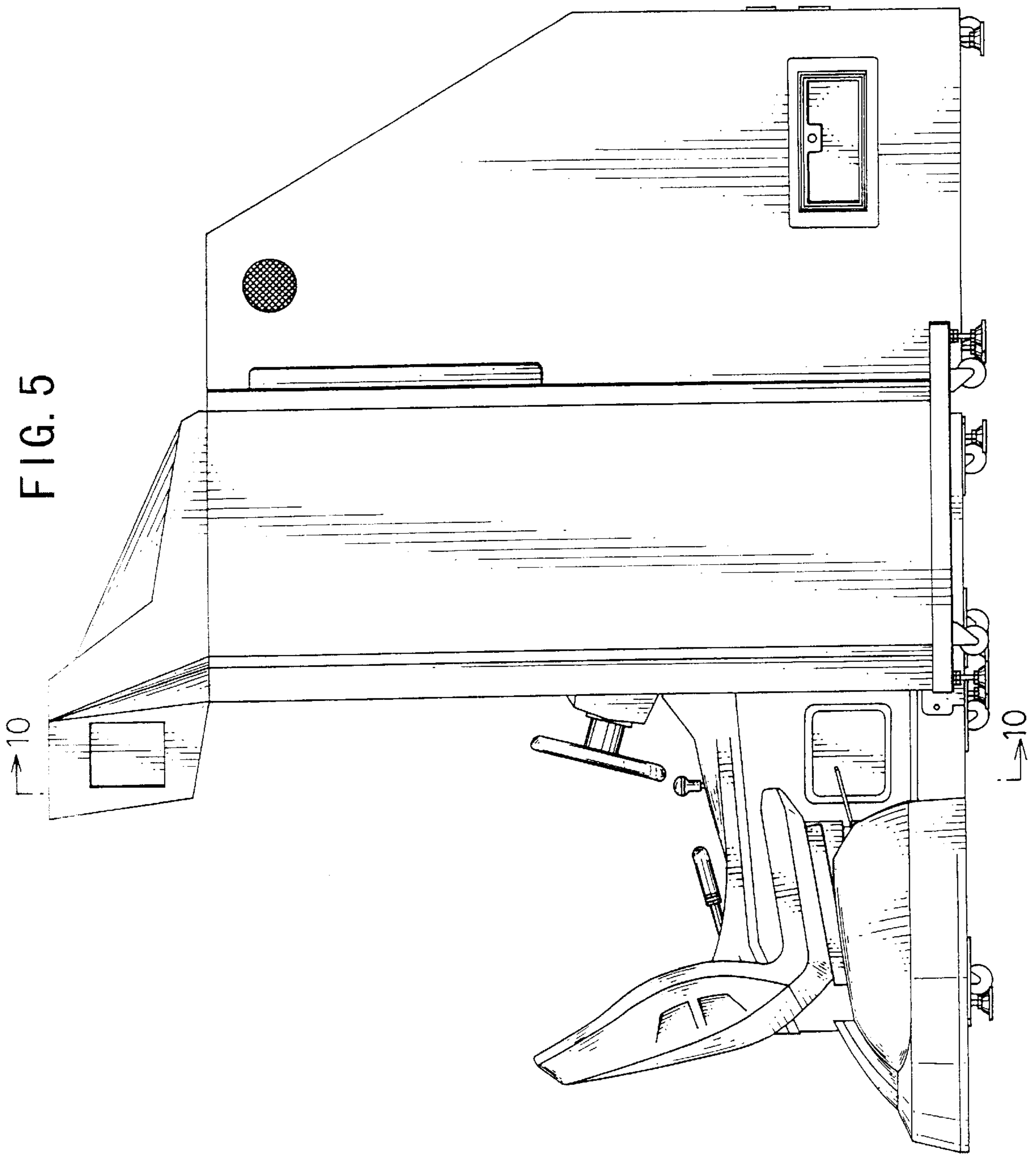


FIG. 6

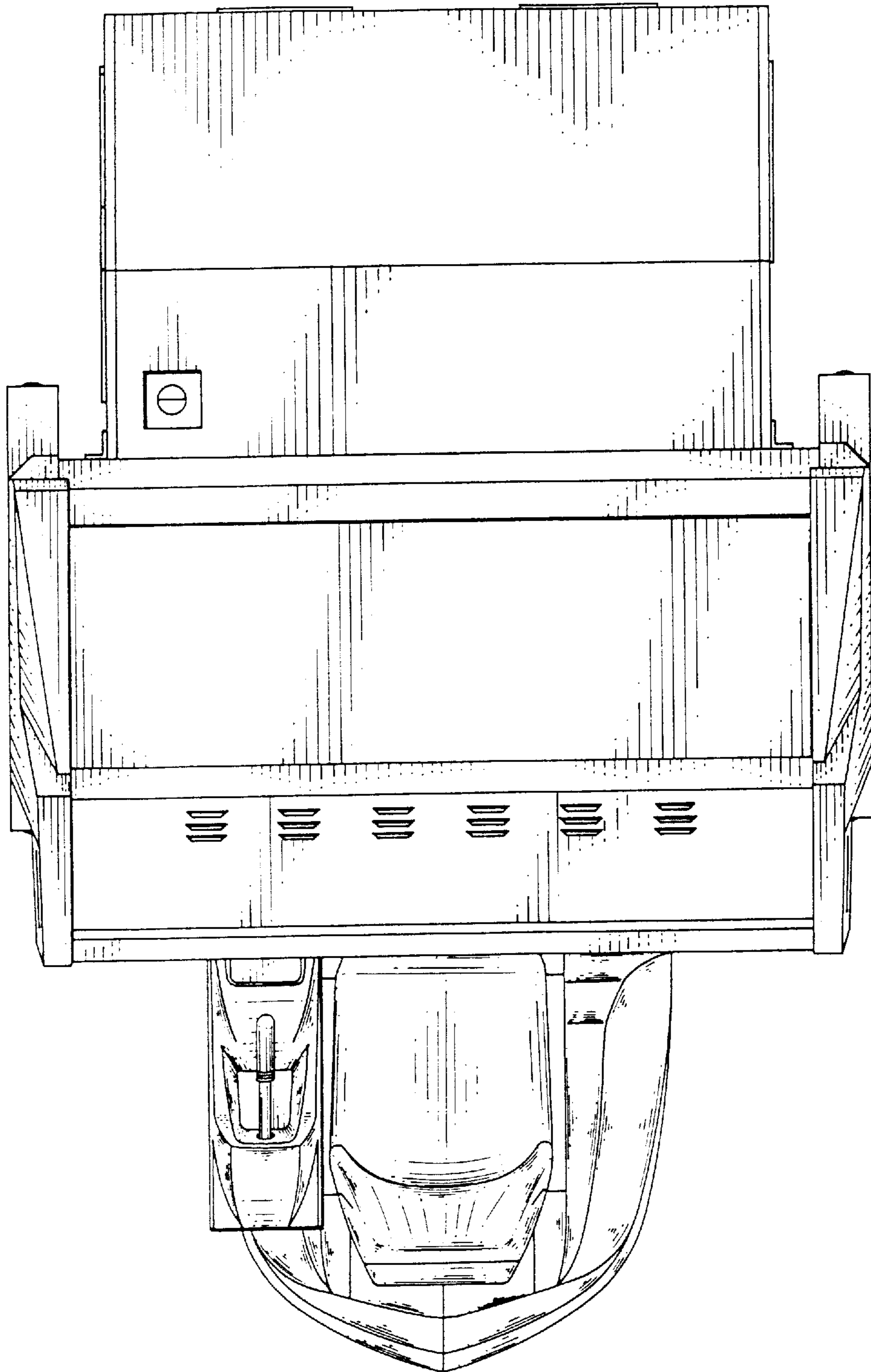
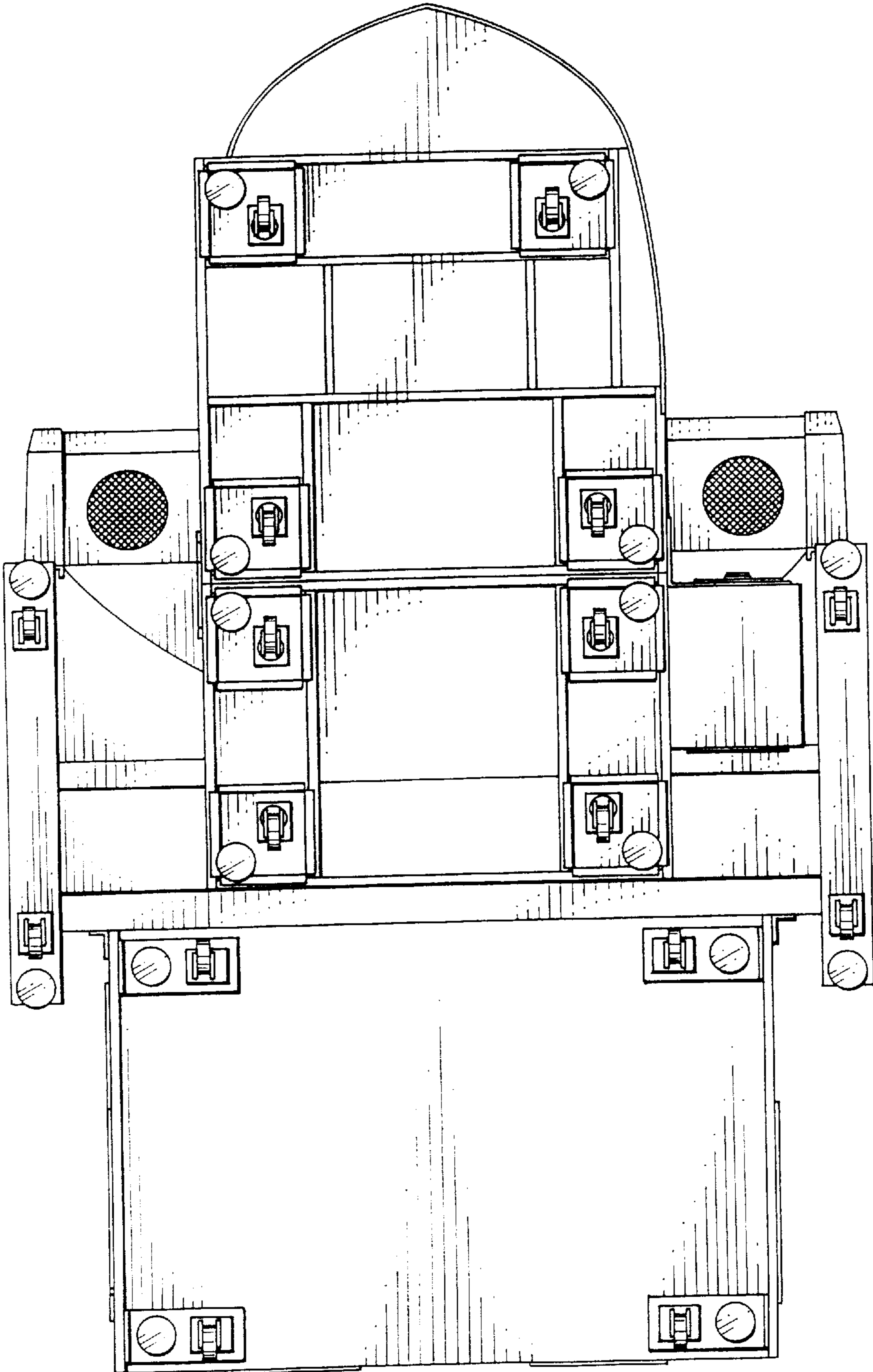


FIG. 7



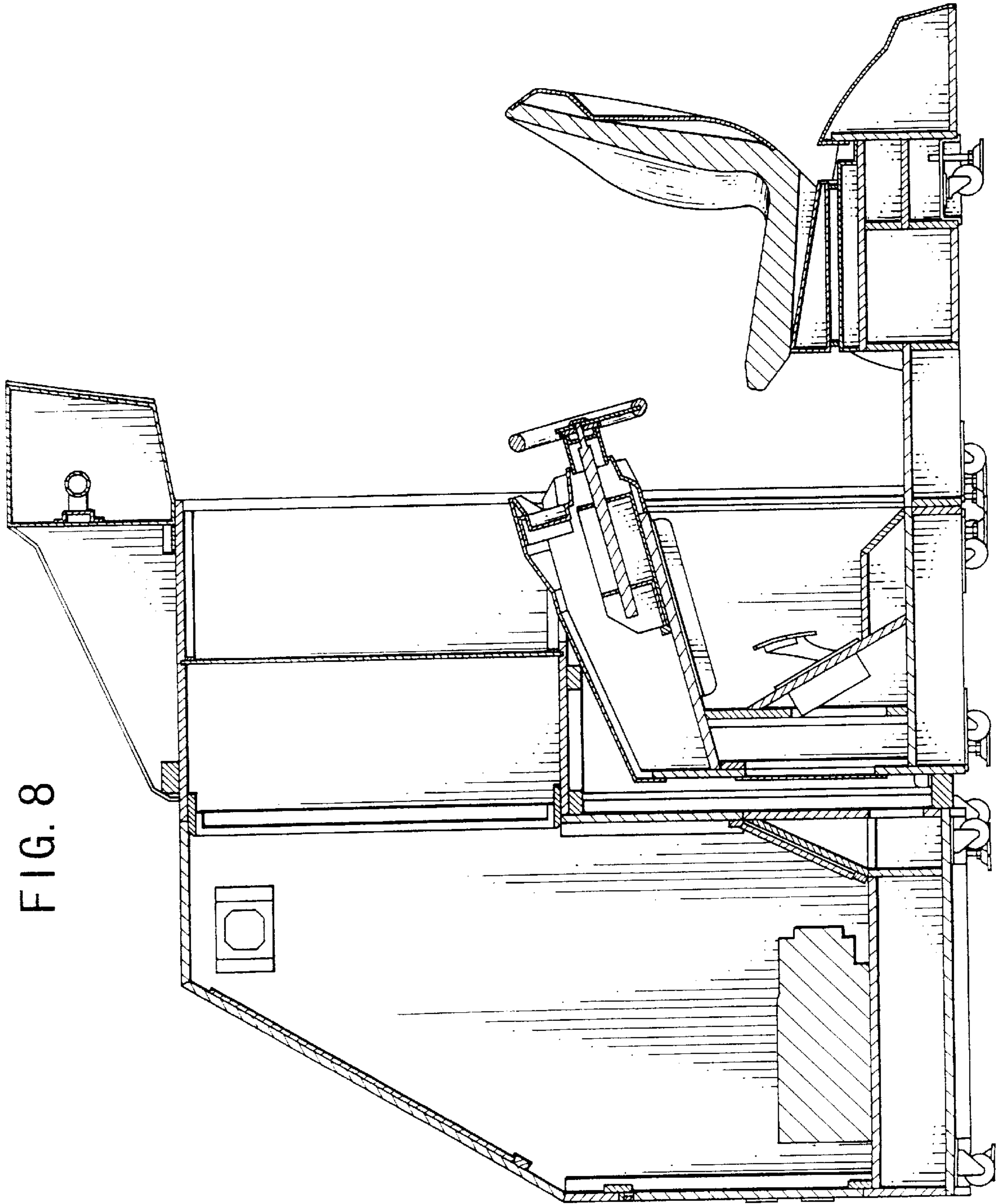


FIG. 9

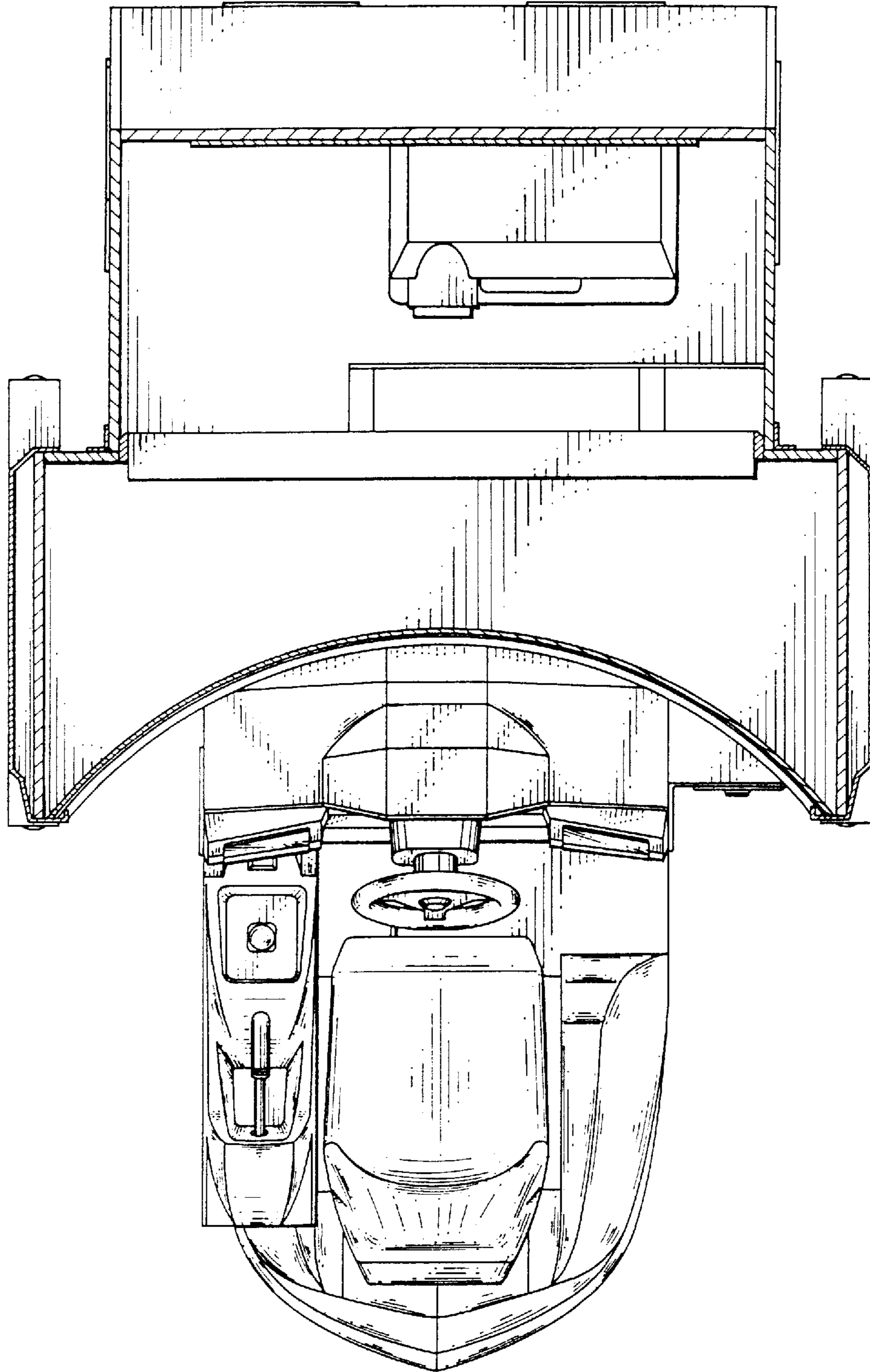


FIG. 10

