



US00D407757S

**United States Patent** [19]  
**Blumenthal**

[11] **Patent Number: Des. 407,757**

[45] **Date of Patent: \*\*Apr. 6, 1999**

[54] **TOY STOVE/MICROWAVE/SINK COMBINATION**

[76] Inventor: **Martin Blumenthal**, 99 Longview Ave., Chatham, N.J. 07928

[\*\*] Term: **14 Years**

[21] Appl. No.: **66,656**

[22] Filed: **Feb. 20, 1997**

[51] **LOC (6) Cl.** ..... **21-01**

[52] **U.S. Cl.** ..... **D21/122**

[58] **Field of Search** ..... D21/120, 121, D21/122, 109, 59; D7/332, 337; D23/271, 272, 286; D3/905, 274; 446/479, 481, 482, 485, 75, 76

[56] **References Cited**

**U.S. PATENT DOCUMENTS**

- D. 261,404 10/1981 Appel et al. .... D21/122
- D. 294,608 3/1988 Benedetto et al. .... D21/122
- D. 328,623 8/1992 Zinter-Chahin ..... D21/122

- D. 345,592 3/1994 Houry et al. .... D21/121
- D. 366,292 1/1996 Monneret ..... D21/122
- 4,332,101 6/1982 Tomita ..... 446/481
- 4,515,359 5/1985 Mariol ..... 446/481

*Primary Examiner*—Raphael Barkai  
*Attorney, Agent, or Firm*—Amster, Rothstein & Ebenstein

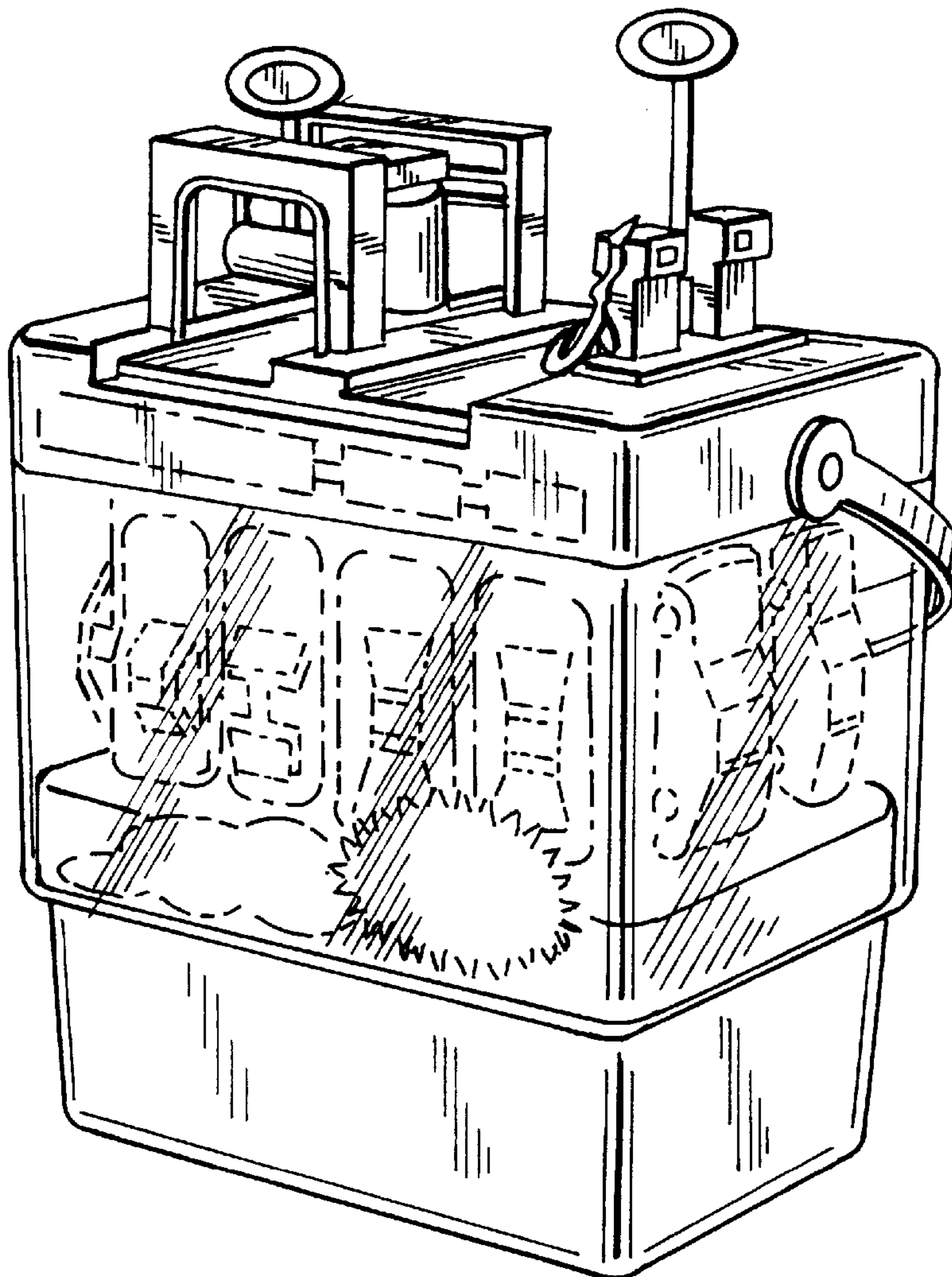
[57] **CLAIM**

The ornamental design for a toy stove/microwave/sink combination, as shown.

**DESCRIPTION**

FIG. 1 is a perspective view from the top, front and one side of a toy stove/microwave/sink combination showing my new design;  
FIG. 2 is a front elevational view thereof;  
FIG. 3 is a rear elevational view thereof;  
FIG. 4 is a side elevational view thereof from the one side;  
FIG. 5 is a side elevational view thereof from the other side;  
FIG. 6 is a top plan view thereof; and,  
FIG. 7 is a bottom plan view thereof.

**1 Claim, 7 Drawing Sheets**



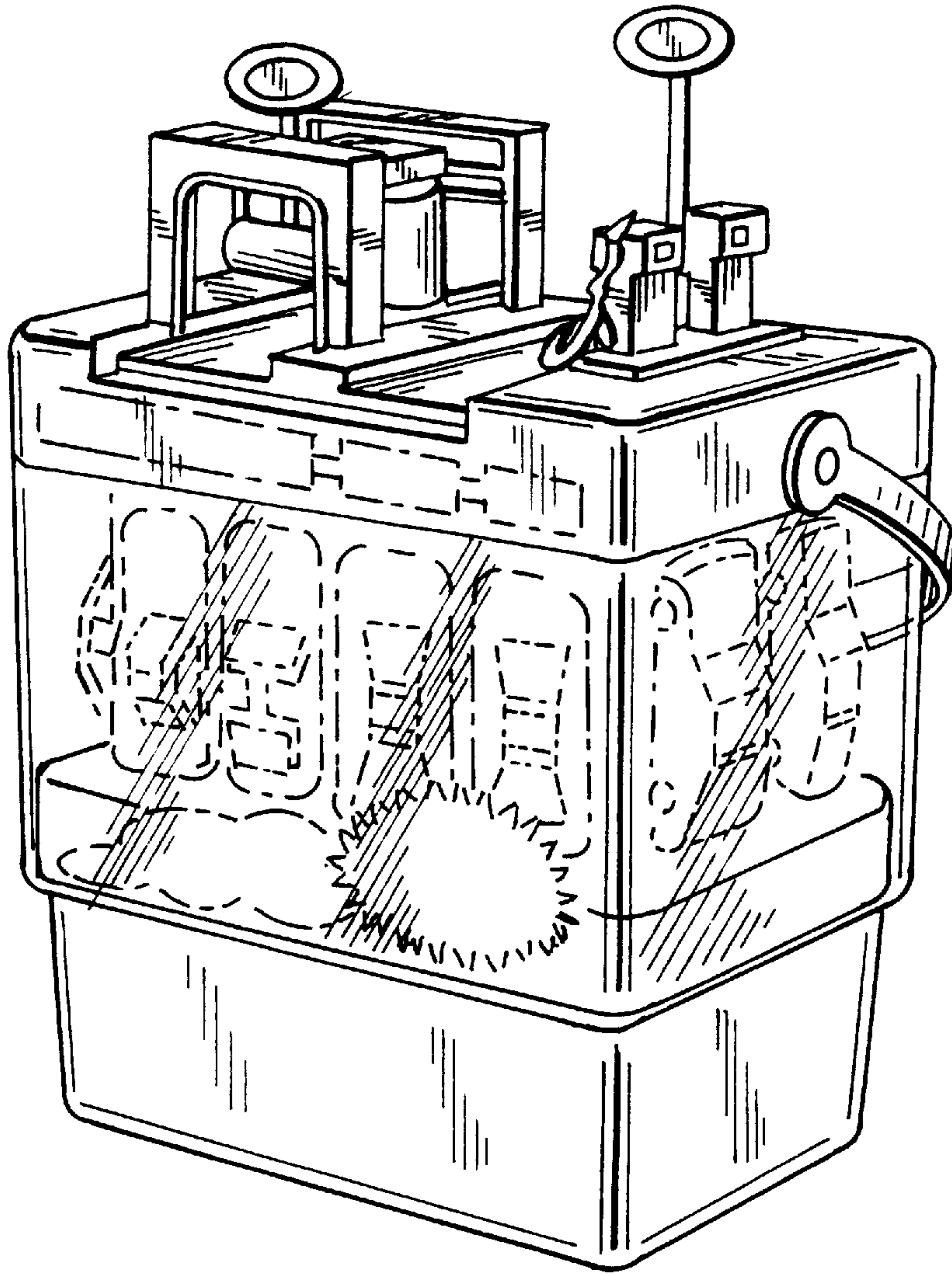


FIG. 1

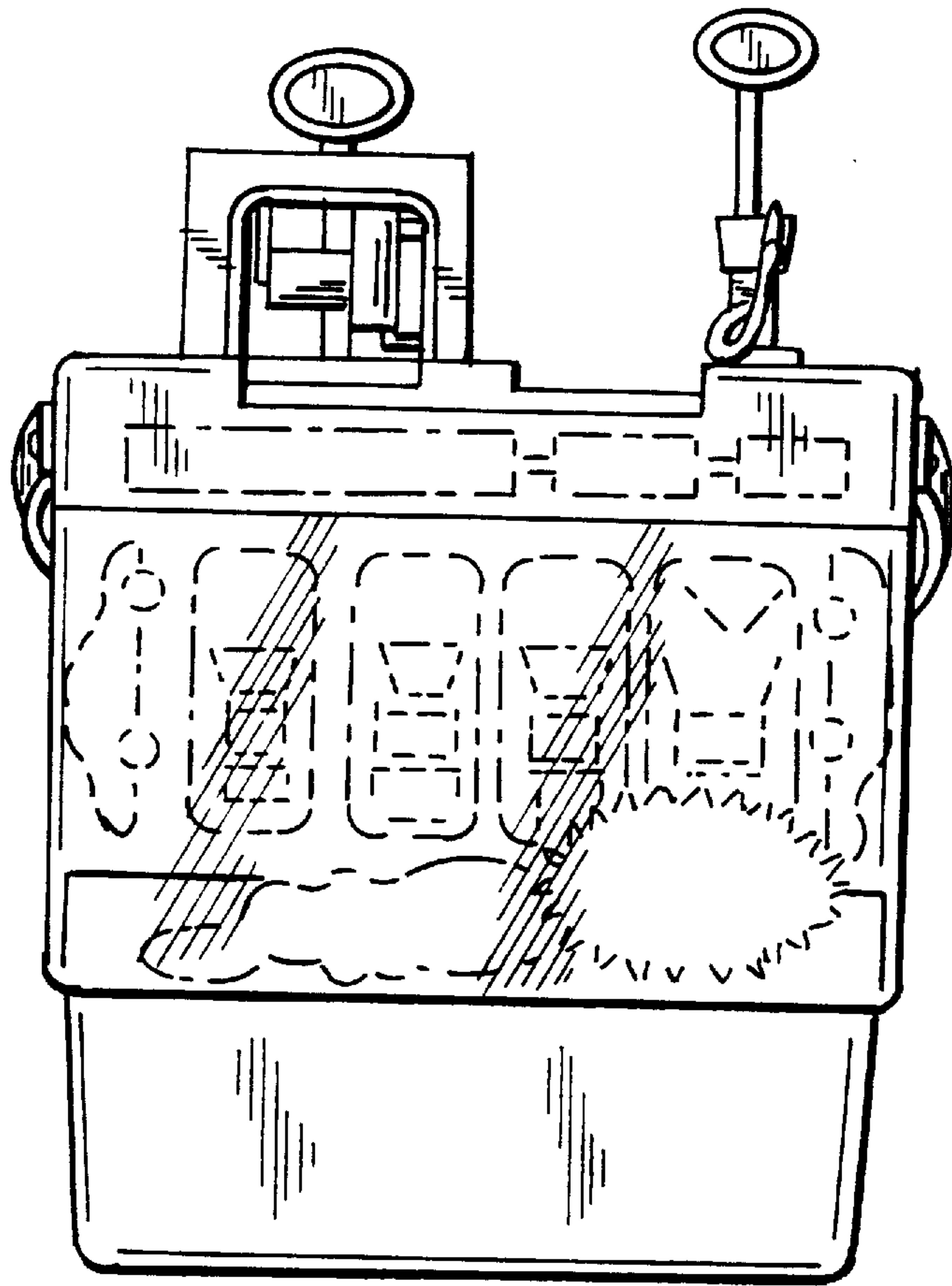


FIG. 2

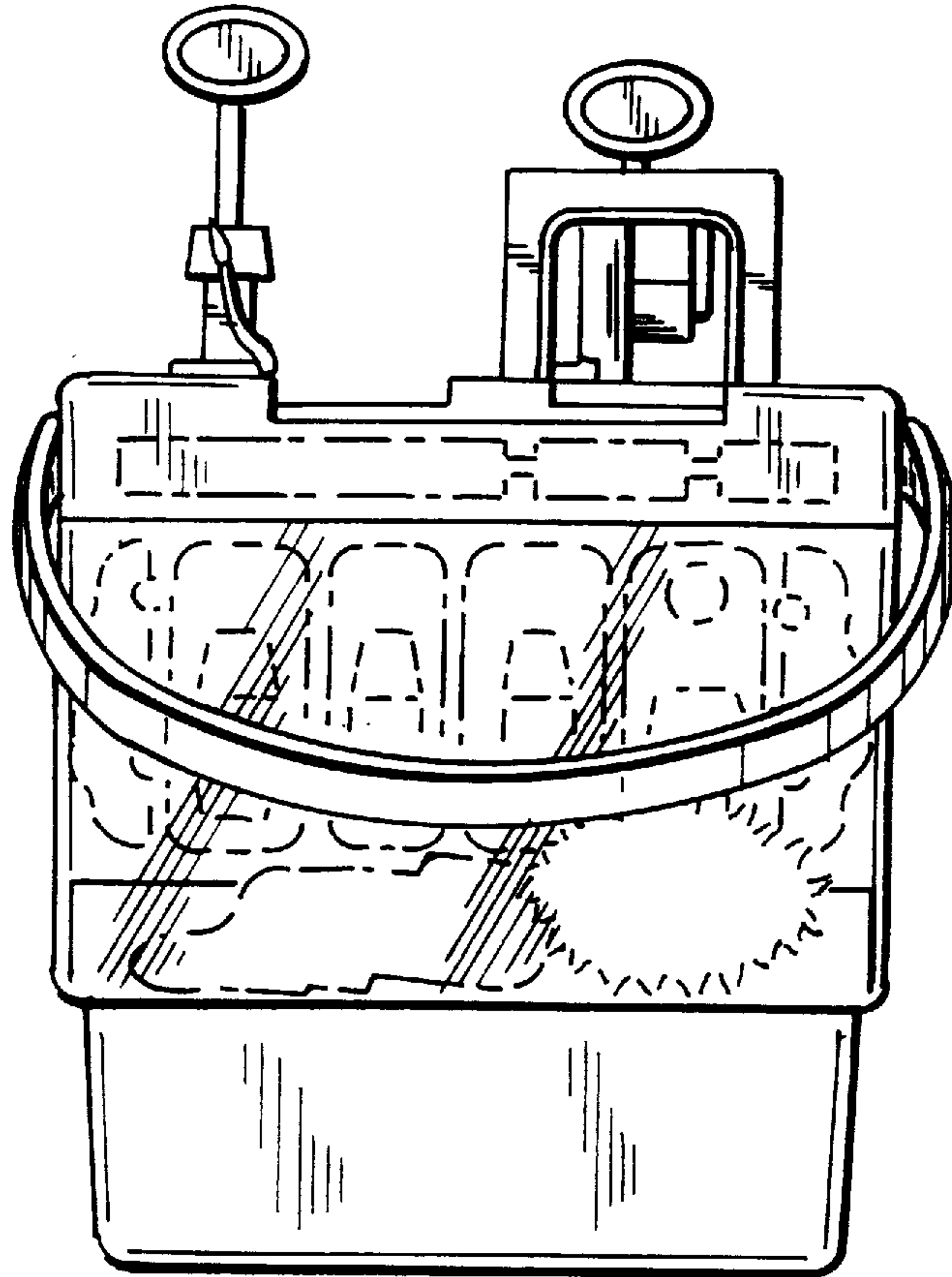


FIG. 3

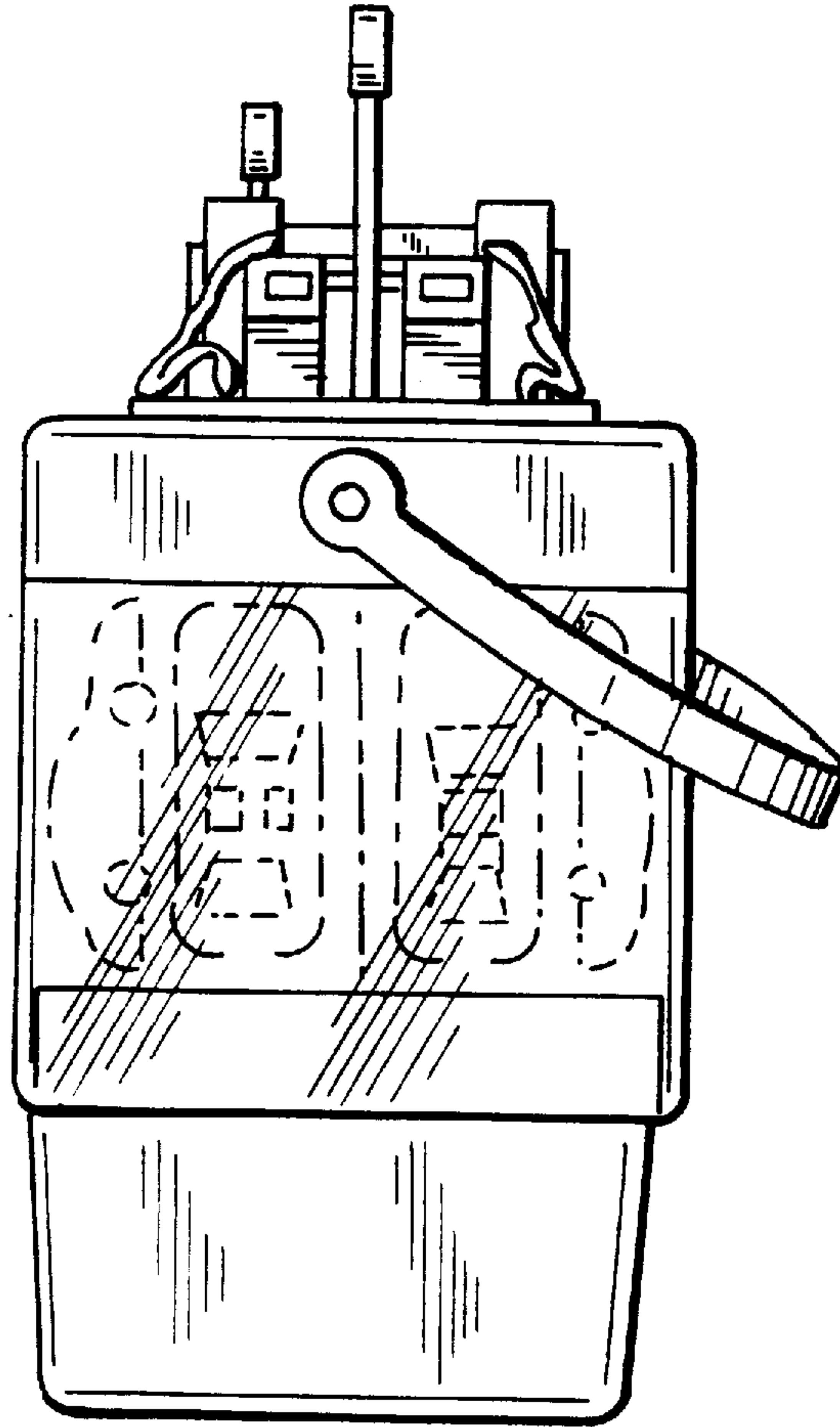


FIG. 4

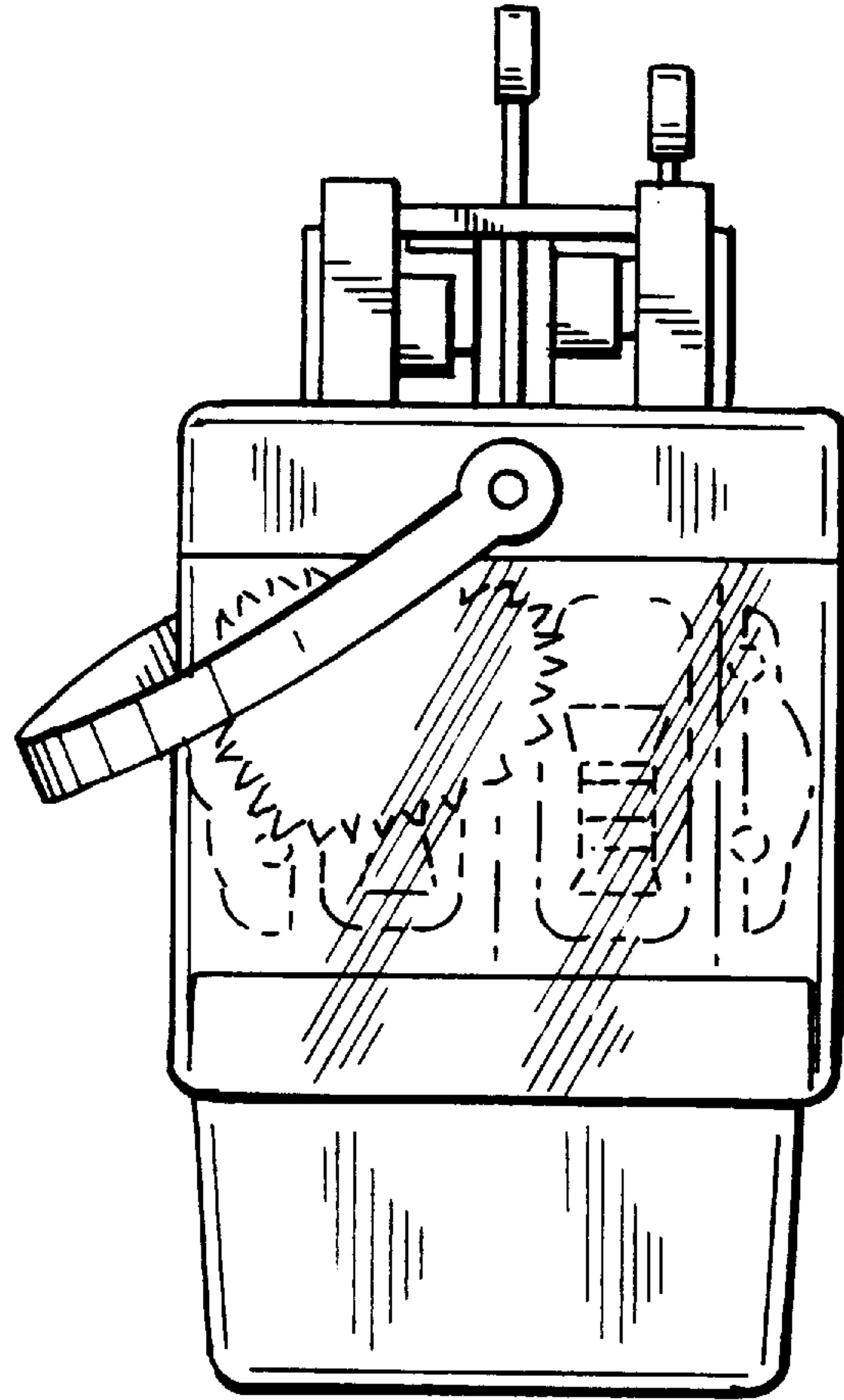


FIG. 5



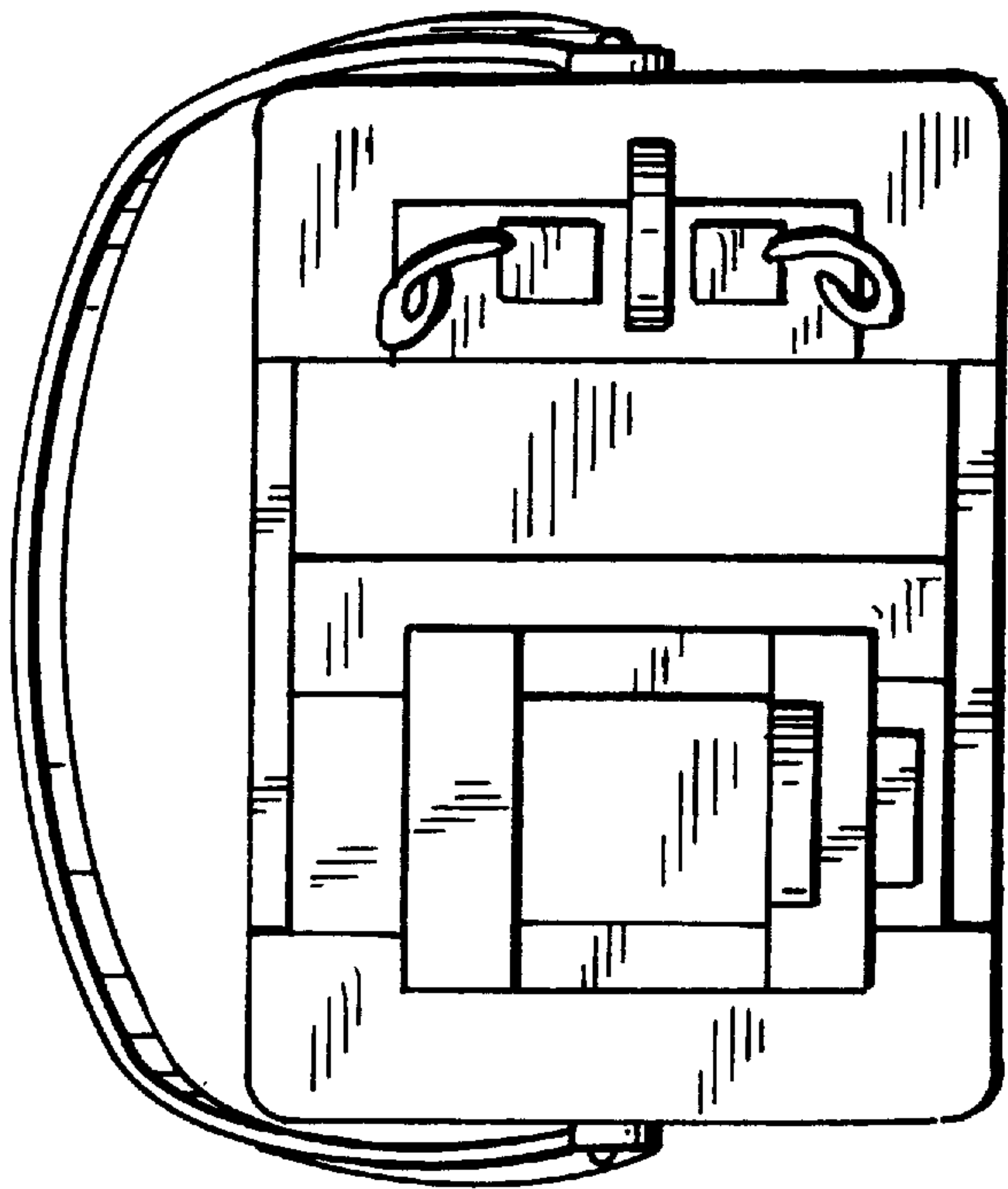


FIG. 6

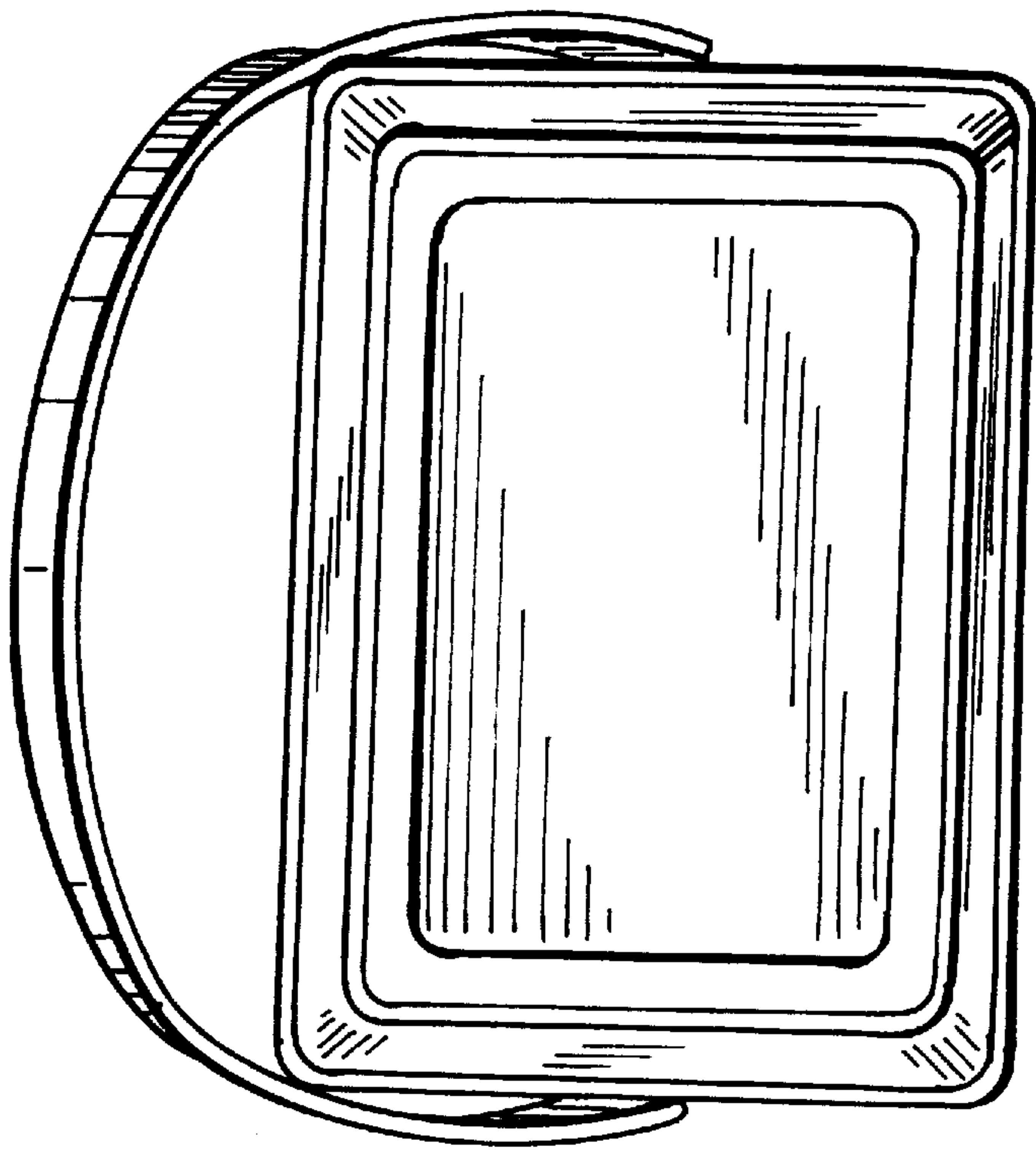


FIG. 7