



US00D407755S

# United States Patent [19]

Isshiki et al.

[11] **Patent Number: Des. 407,755**

[45] **Date of Patent: \*\*Apr. 6, 1999**

[54] **INFORMATION GUIDE DISPLAY DEVICE**

D. 378,534 3/1997 Kato et al. .... D20/10  
D. 391,565 3/1998 Nanjo ..... D14/130

[75] Inventors: **Masao Isshiki**, Yokohama; **Akihiko Konno**, Tokyo; **Keiji Chikuma**, Kawasaki; **Takaharu Ando**, Ryugasaki; **Shinji Watanabe**, Kawasaki, all of Japan

**FOREIGN PATENT DOCUMENTS**

M9602289 9/1996 Germany .

[73] Assignee: **Kabushiki Kaisha Toshiba**, Kawasaki, Japan

*Primary Examiner*—Susan J. Lucas  
*Assistant Examiner*—Jennifer Rivard  
*Attorney, Agent, or Firm*—Oblon, Spivak, McClelland, Maier & Neustadt, P.C.

[\*\*] Term: **14 Years**

[57] **CLAIM**

[21] Appl. No.: **75,198**

The ornamental design for information guide display device, as shown and described.

[22] Filed: **Aug. 22, 1997**

[30] **Foreign Application Priority Data**

**DESCRIPTION**

Feb. 24, 1997 [JP] Japan ..... 9-5200

FIG. 1 is a front, top and right side perspective view of information guide display device, showing our new design; FIG. 2 is a front elevational view thereof; FIG. 3 is a right side elevational view thereof; FIG. 4 is a top plan view thereof; FIG. 5 is a bottom plan view thereof; FIG. 6 is a rear elevational view thereof; and, FIG. 7 is a left side elevational view thereof.

[51] **LOC (6) Cl.** ..... **14-02**

[52] **U.S. Cl.** ..... **D20/10; D14/100; D99/28**

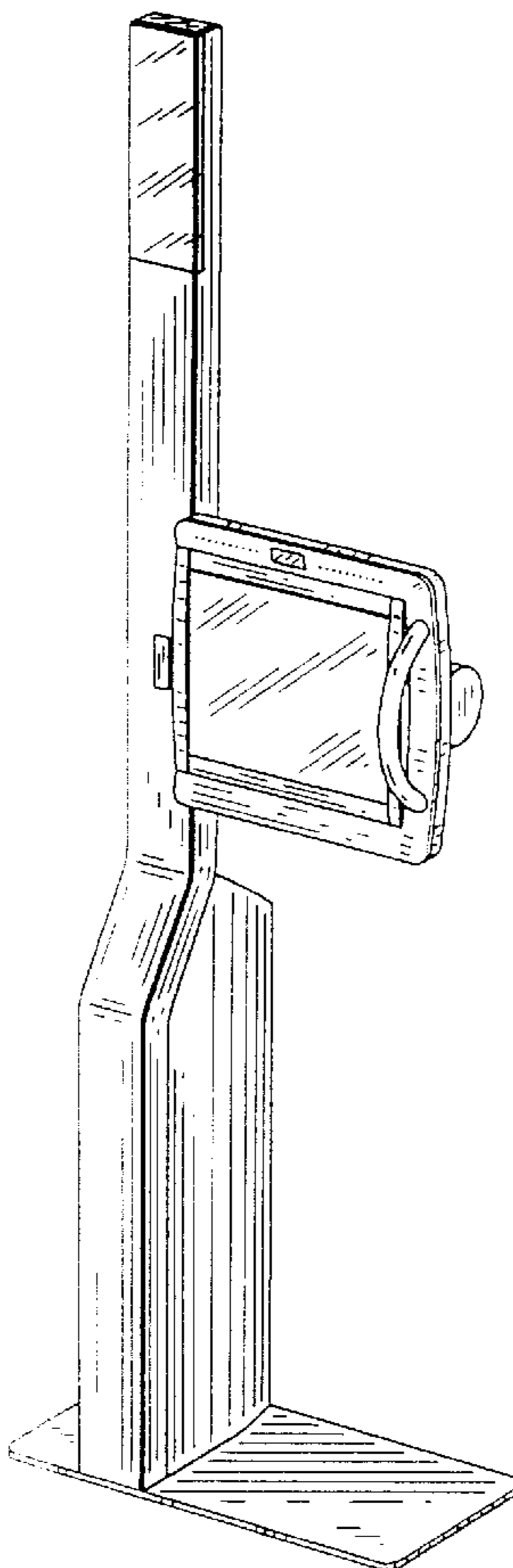
[58] **Field of Search** ..... D20/10; D14/102, D14/103, 130, 146, 100; 361/680-686, 679; D25/16; D99/28, 29; 345/112, 113, 73

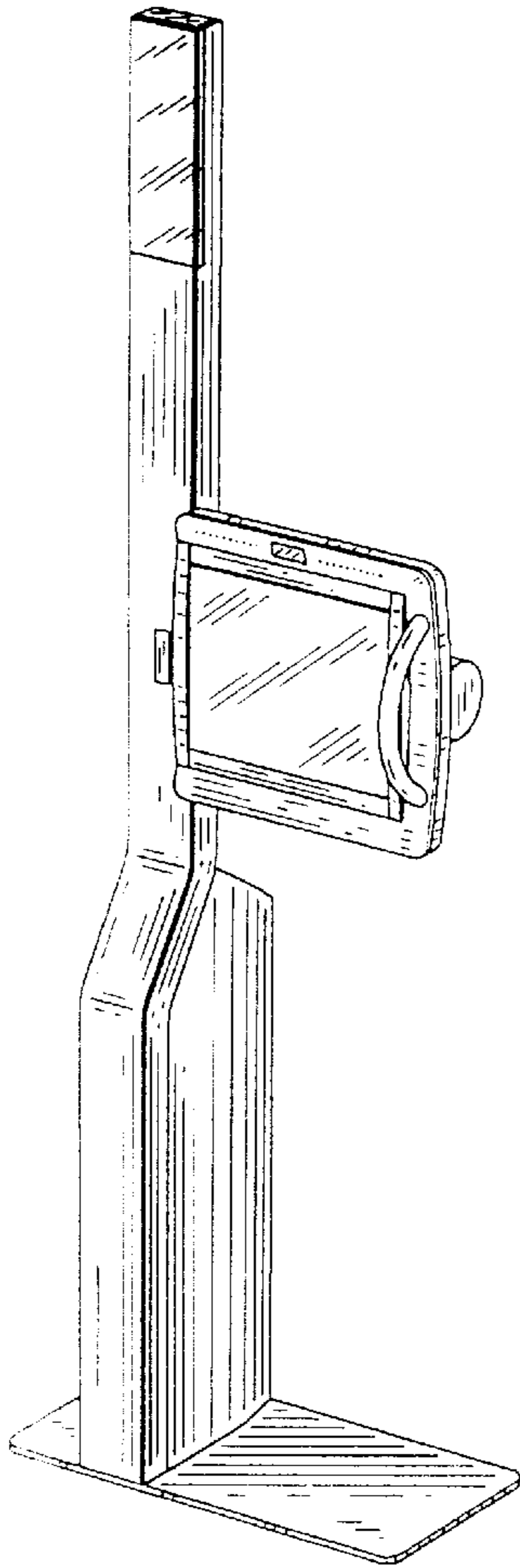
[56] **References Cited**

**U.S. PATENT DOCUMENTS**

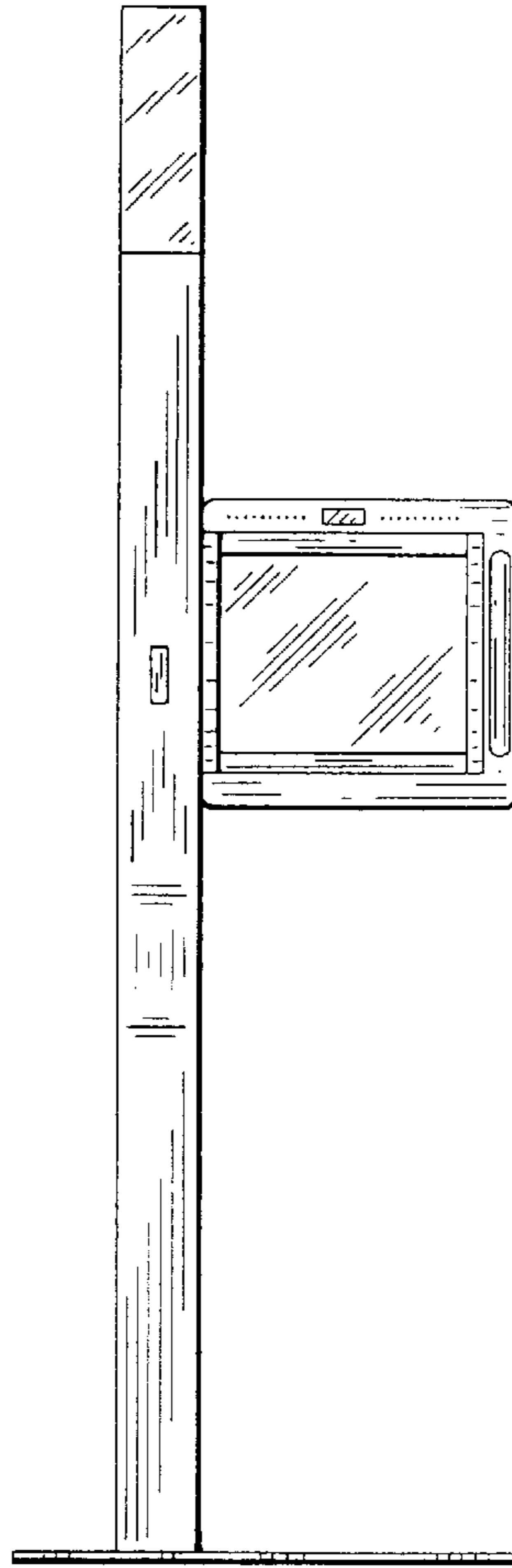
D. 377,784 2/1997 Wilson ..... D14/100

**1 Claim, 2 Drawing Sheets**

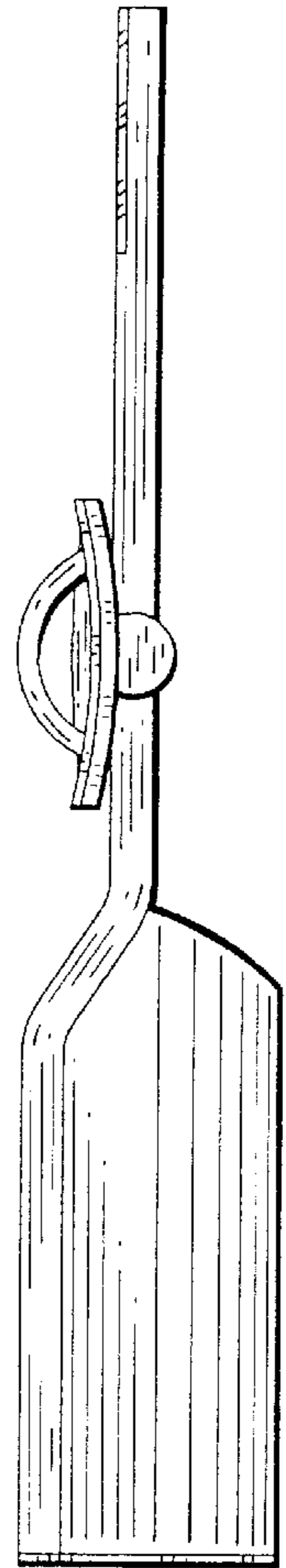




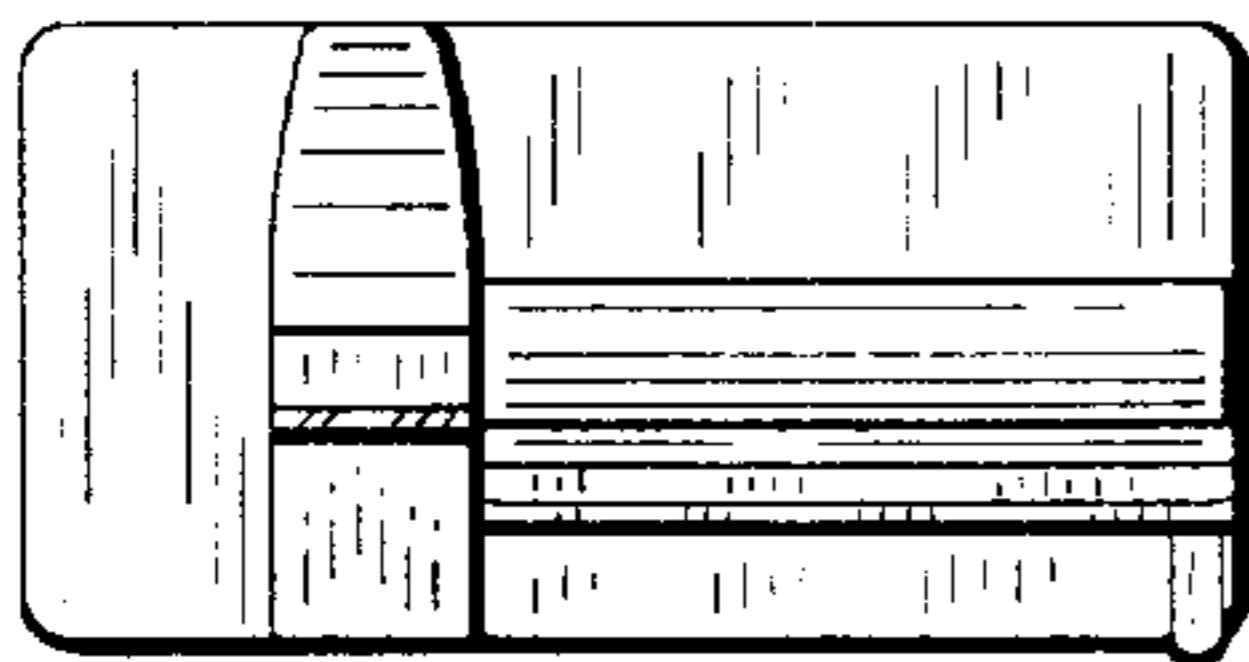
*FIG. 1*



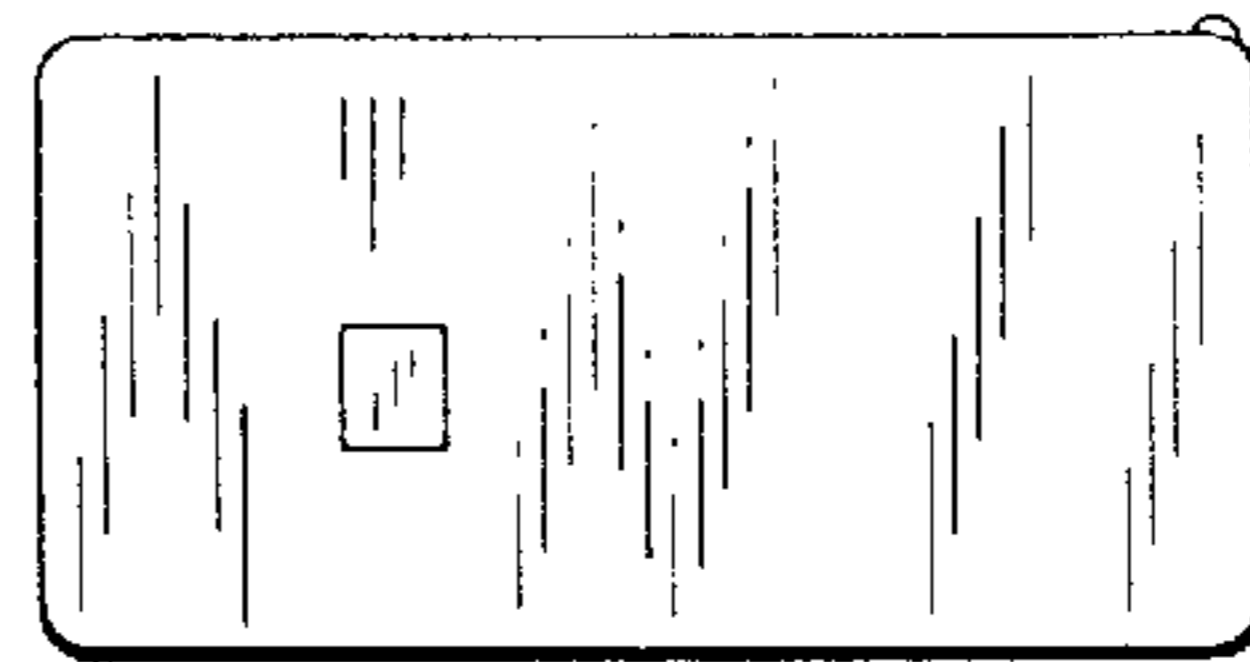
*FIG. 2*



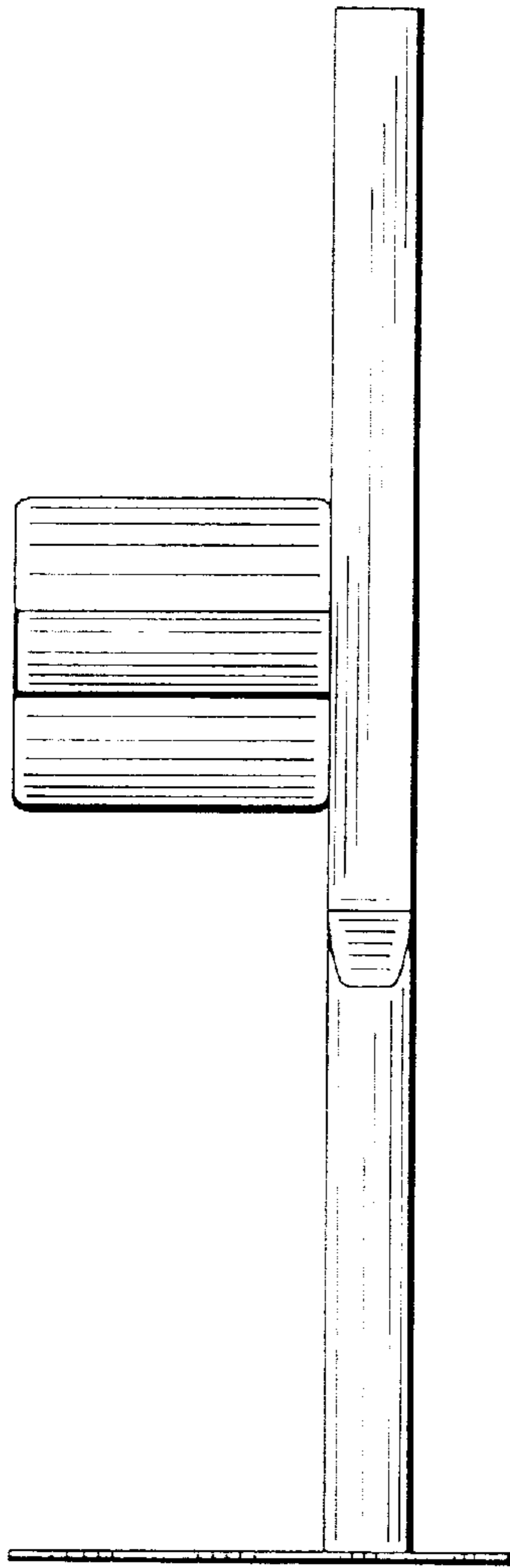
*FIG. 3*



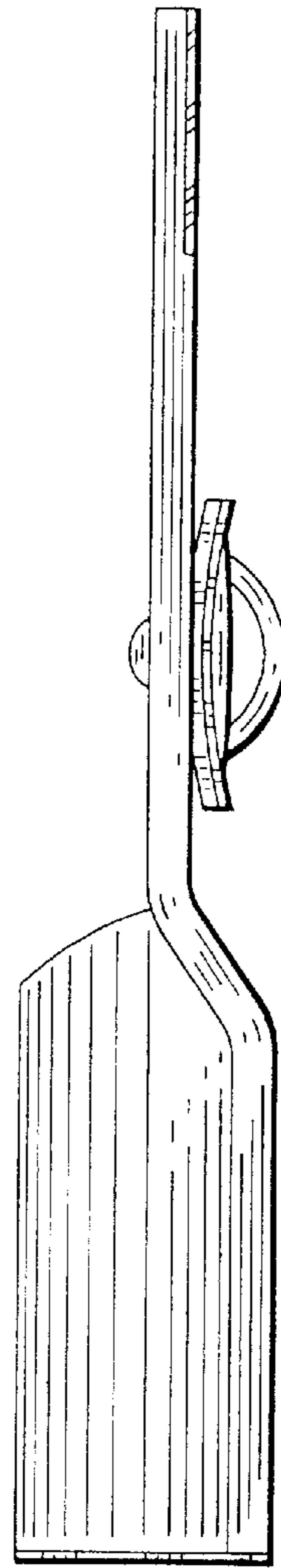
*FIG. 4*



*FIG. 5*



*FIG. 6*



*FIG. 7*