

US00D407754S

United States Patent [19]
McClellan

[11] **Patent Number:** **Des. 407,754**

[45] **Date of Patent:** ****Apr. 6, 1999**

[54] **COIN GROUP FACE PLATE**

[76] Inventor: **W. Thomas McClellan**, 3541 W. State Rd. 84, Fort Lauderdale, Fla. 33312

[**] Term: **14 Years**

[21] Appl. No.: **75,472**

[22] Filed: **Aug. 21, 1997**

D. 215,020 8/1969 Unter D20/9
D. 272,367 1/1984 Bartlett D20/9
D. 389,521 1/1998 McClellan D20/9

Primary Examiner—Sandra L. Morris
Attorney, Agent, or Firm—Herbert L. Lerner; Laurence A. Greenberg

Related U.S. Application Data

[63] Continuation-in-part of Ser. No. 74,328, Jul. 30, 1997.

[51] **LOC (6) Cl.** **20-01**

[52] **U.S. Cl.** **D20/9**

[58] **Field of Search** D20/1-9; 194/205,
194/217, 321, 344-346, 350

References Cited

U.S. PATENT DOCUMENTS

95,022 4/1869 Dahlstrom et al. D20/9
D. 214,687 7/1969 Unter D20/9

[57] **CLAIM**

The ornamental design for a coin guard face plate, as shown and described.

DESCRIPTION

FIG. 1 is a right-side perspective view (as viewed from the design) showing my new design of a coin guard face plate; FIG. 2 is a left-side perspective view thereof; FIG. 3 is a right, side-elevational view thereof; FIG. 4 is a left, side-elevational view thereof; FIG. 5 is a top plan view thereof; FIG. 6 is a bottom plan view thereof; and, FIG. 7 is a rear elevational view thereof. FIGS. 3-7 are shown on a reduced scale.

1 Claim, 5 Drawing Sheets

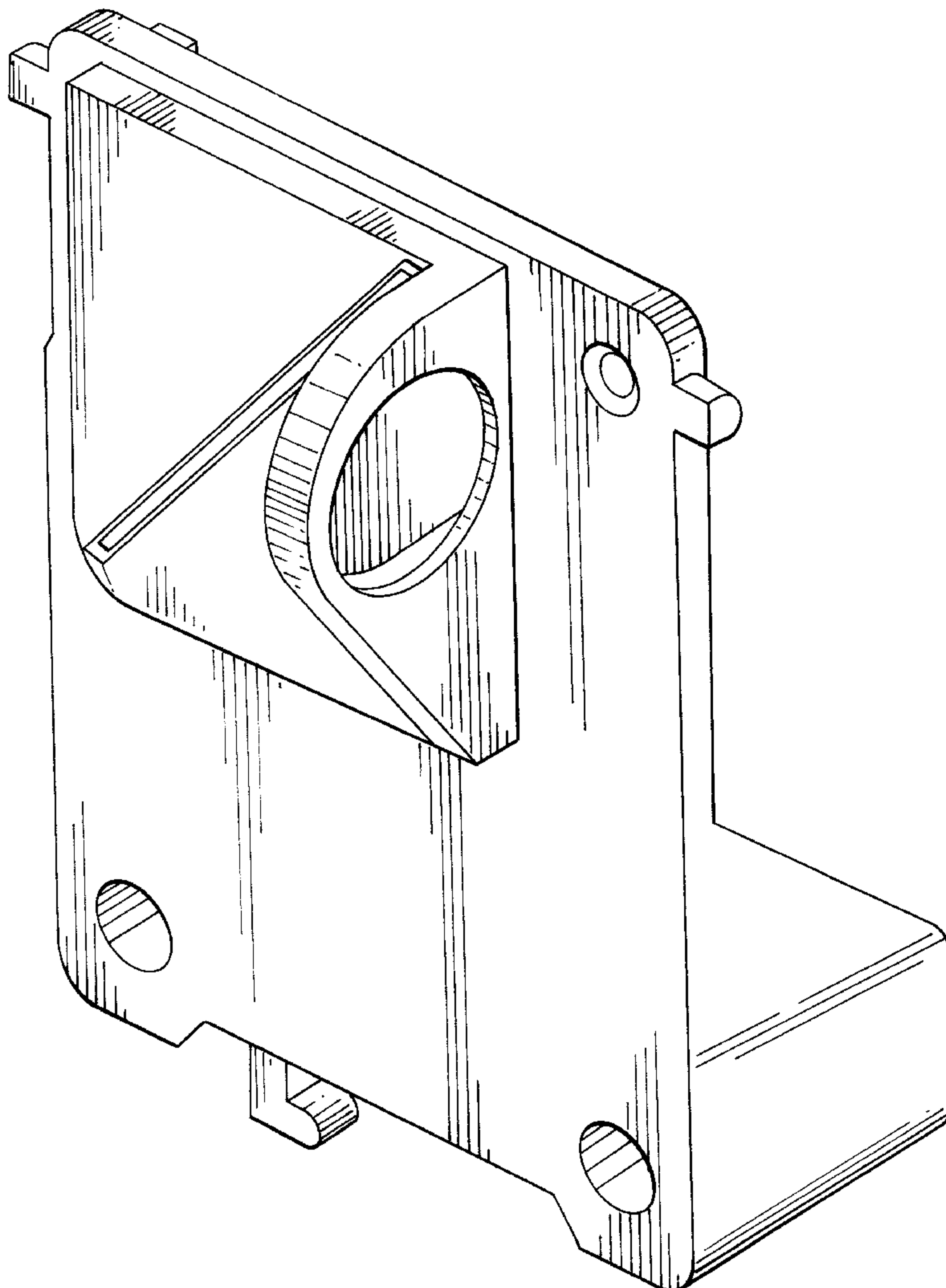


Fig. 1

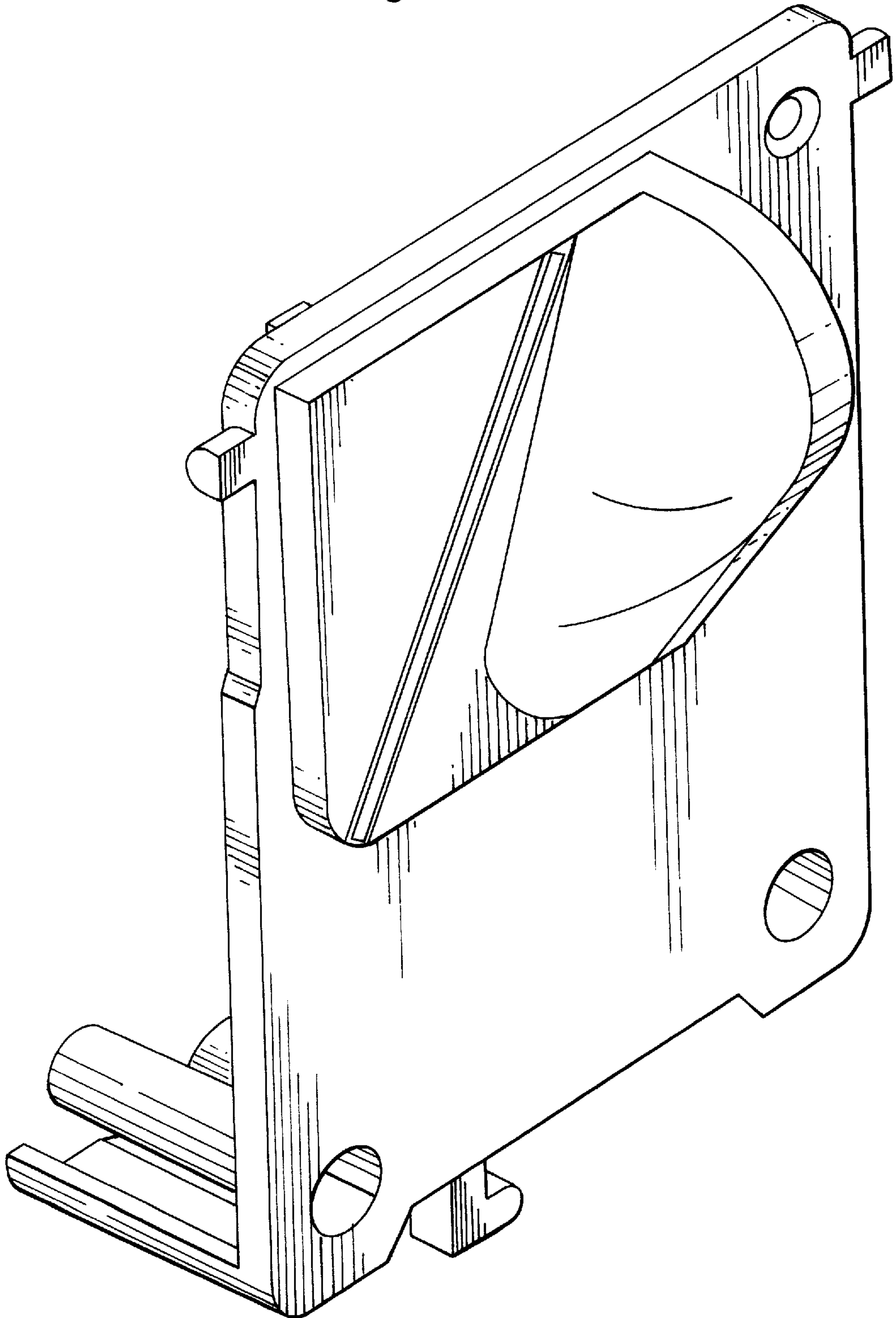


Fig.2

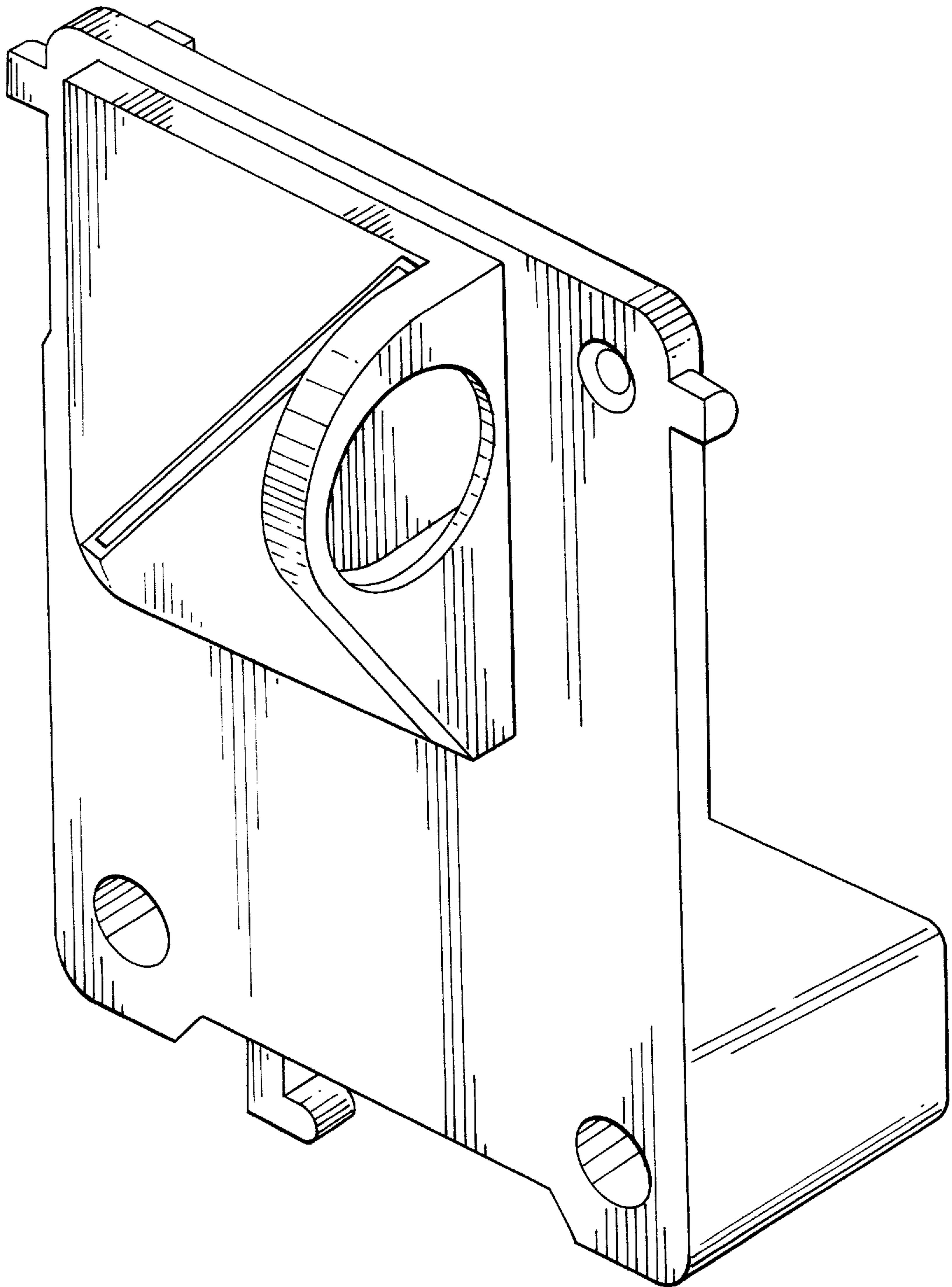


Fig. 4

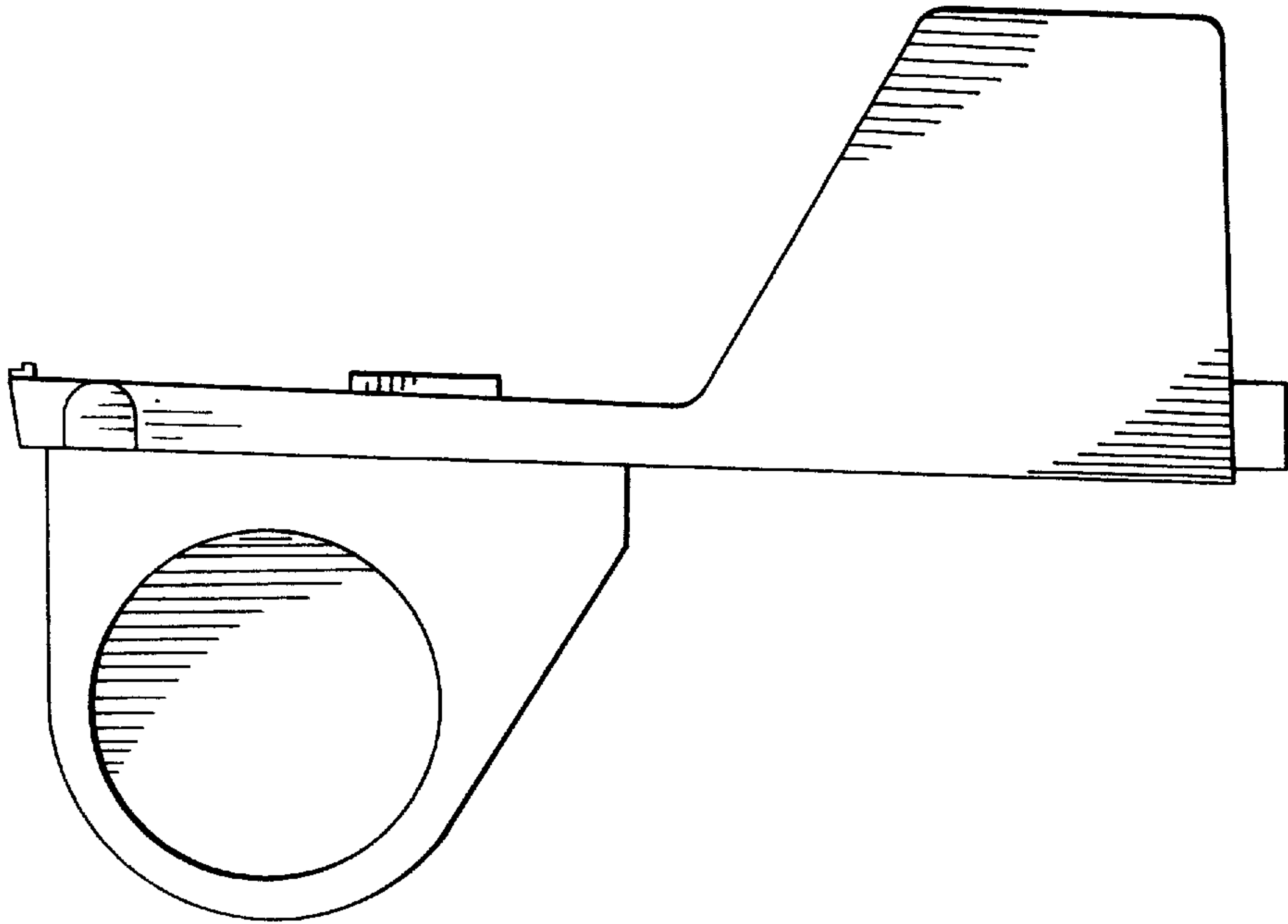


Fig. 3

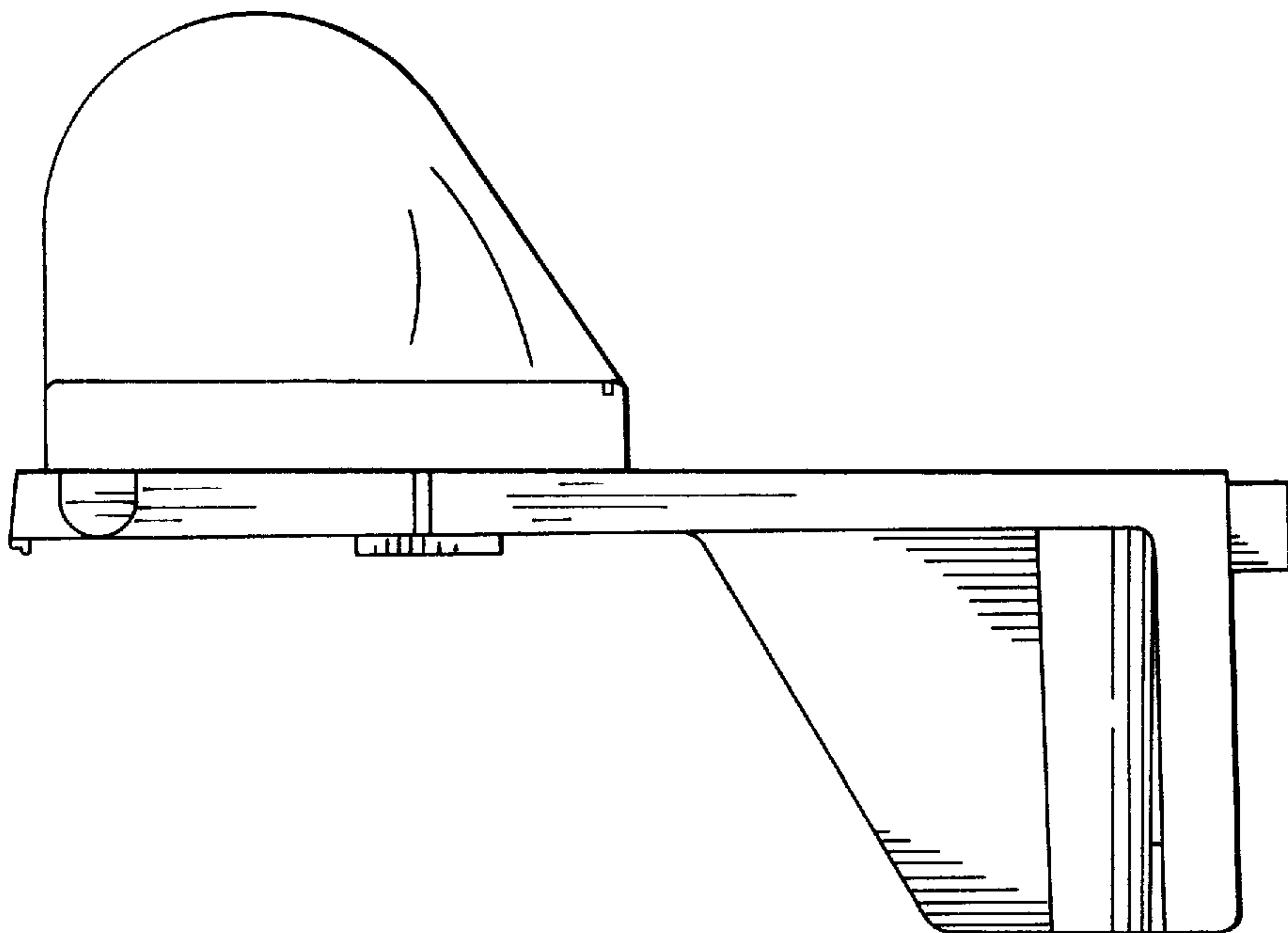


Fig. 5

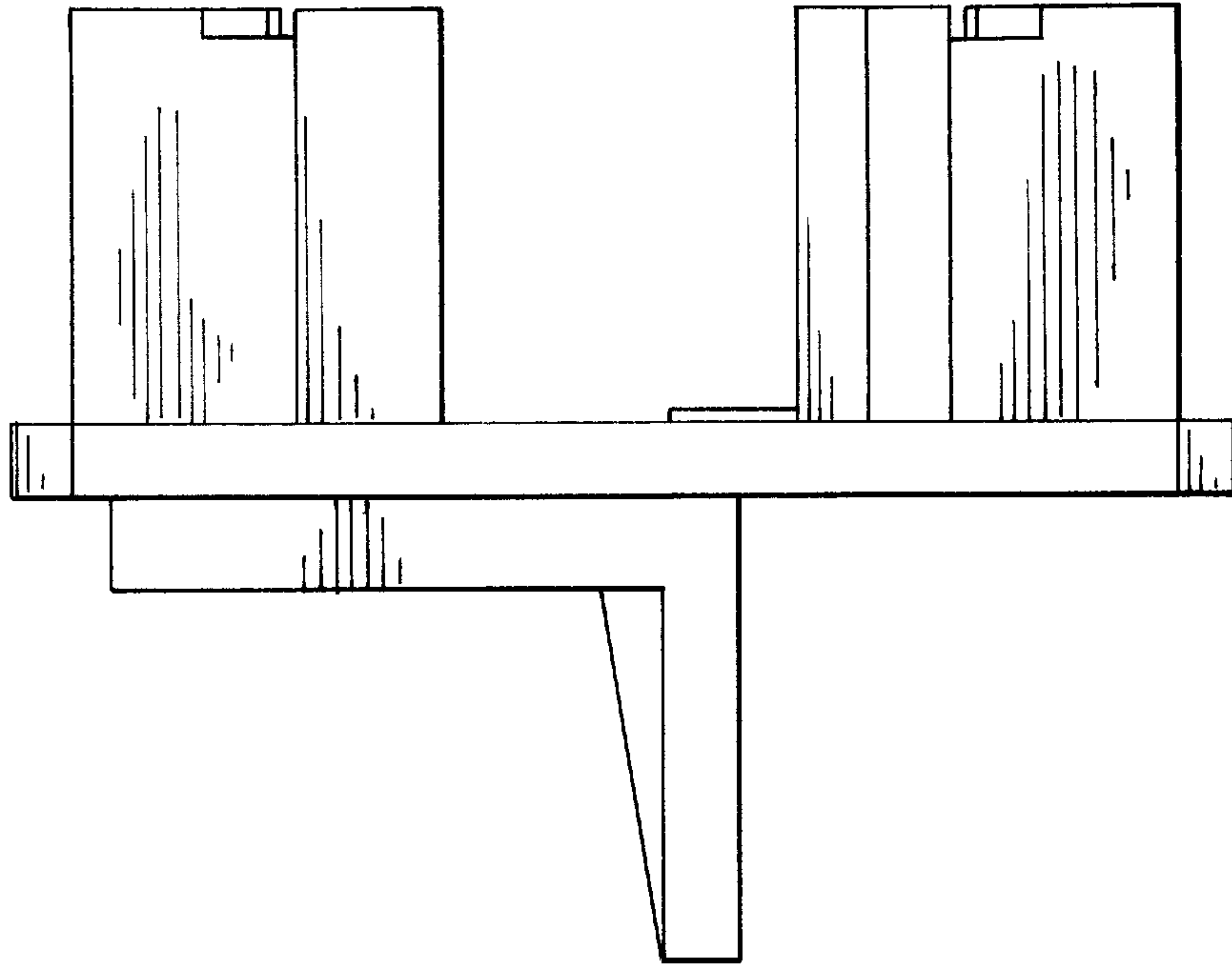


Fig. 6

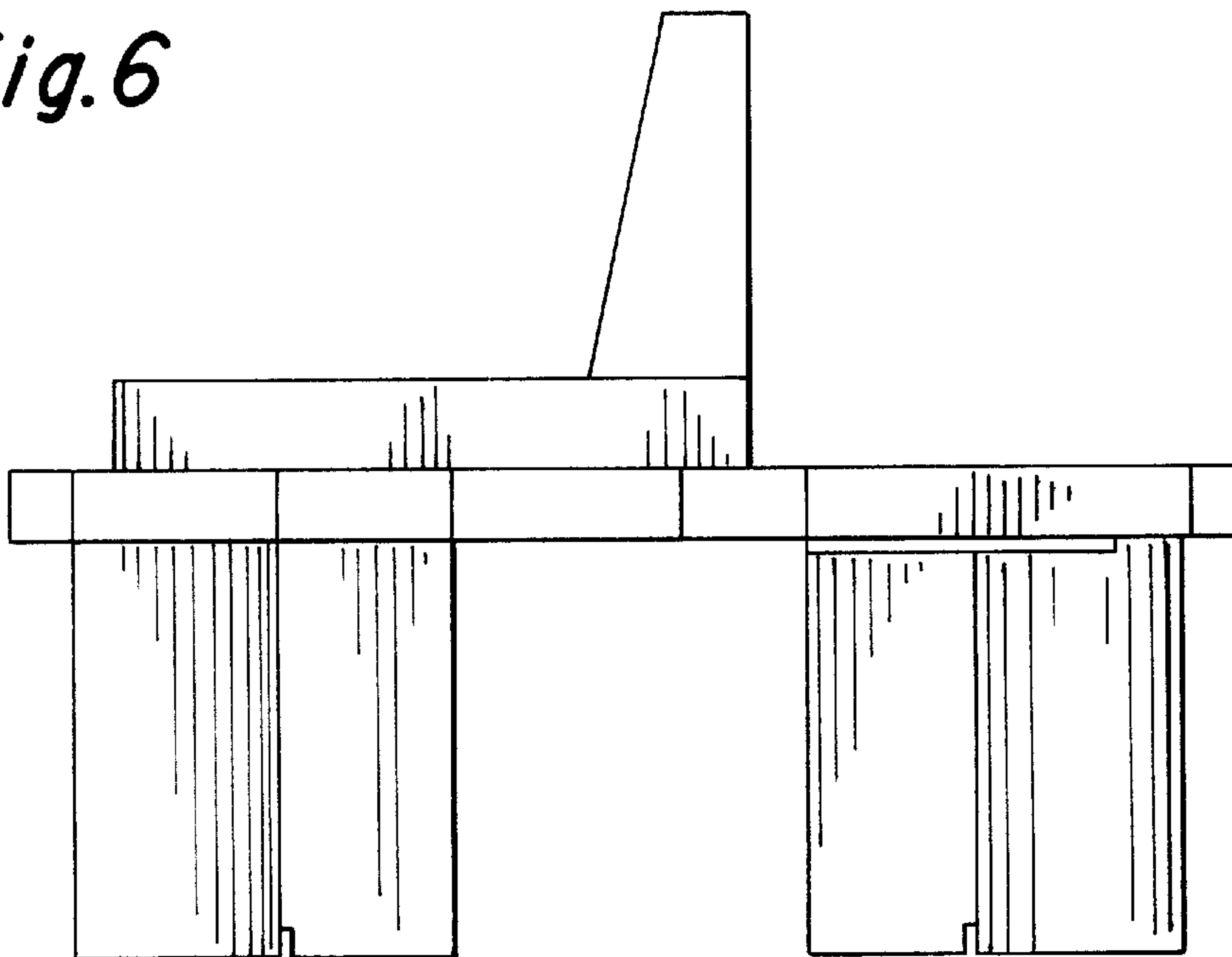


Fig. 7

