



US00D407753S

United States Patent [19]
Kwok

[11] **Patent Number: Des. 407,753**
[45] **Date of Patent: **Apr. 6, 1999**

[54] **DESK ORGANIZER**

[75] Inventor: **Tat Ming Kwok**, Hong Kong, Hong Kong

[73] Assignee: **P.M.P Industrial Ltd.**, Chai Wan, Hong Kong

[**] Term: **14 Years**

[21] Appl. No.: **91,359**

[22] Filed: **Jul. 28, 1998**

Related U.S. Application Data

[63] Continuation-in-part of Ser. No. 84,189, Feb. 26, 1998.

[51] **LOC (6) Cl.** **19-02**

[52] **U.S. Cl.** **D19/77; D19/85; D19/95**

[58] **Field of Search** **D19/35, 36, 65, D19/75, 77, 78, 81-85, 95, 99, 100; D7/640, 641; 206/214, 371, 224; 211/70, 78, 163, 69.1-69.9, 69, 70.7**

[56] **References Cited**

U.S. PATENT DOCUMENTS

D. 266,435 10/1982 Laughlin D19/75

D. 328,958	8/1992	Bragin et al.	D19/85 X
D. 340,071	10/1993	Sun	D19/65 X
D. 349,011	7/1994	Cohen	D7/641
D. 367,889	3/1996	Chiu	D19/77
D. 372,938	8/1996	Wilson et al.	D19/78 X
D. 377,807	2/1997	Green et al.	D19/77
D. 377,951	2/1997	McDiarmid	D19/77 X
4,305,511	12/1981	Denholz	211/70
4,534,474	8/1985	Ng	211/70
4,953,696	9/1990	Huang et al.	206/214

Primary Examiner—Martie K. Holtje
Attorney, Agent, or Firm—Ladas & Parry

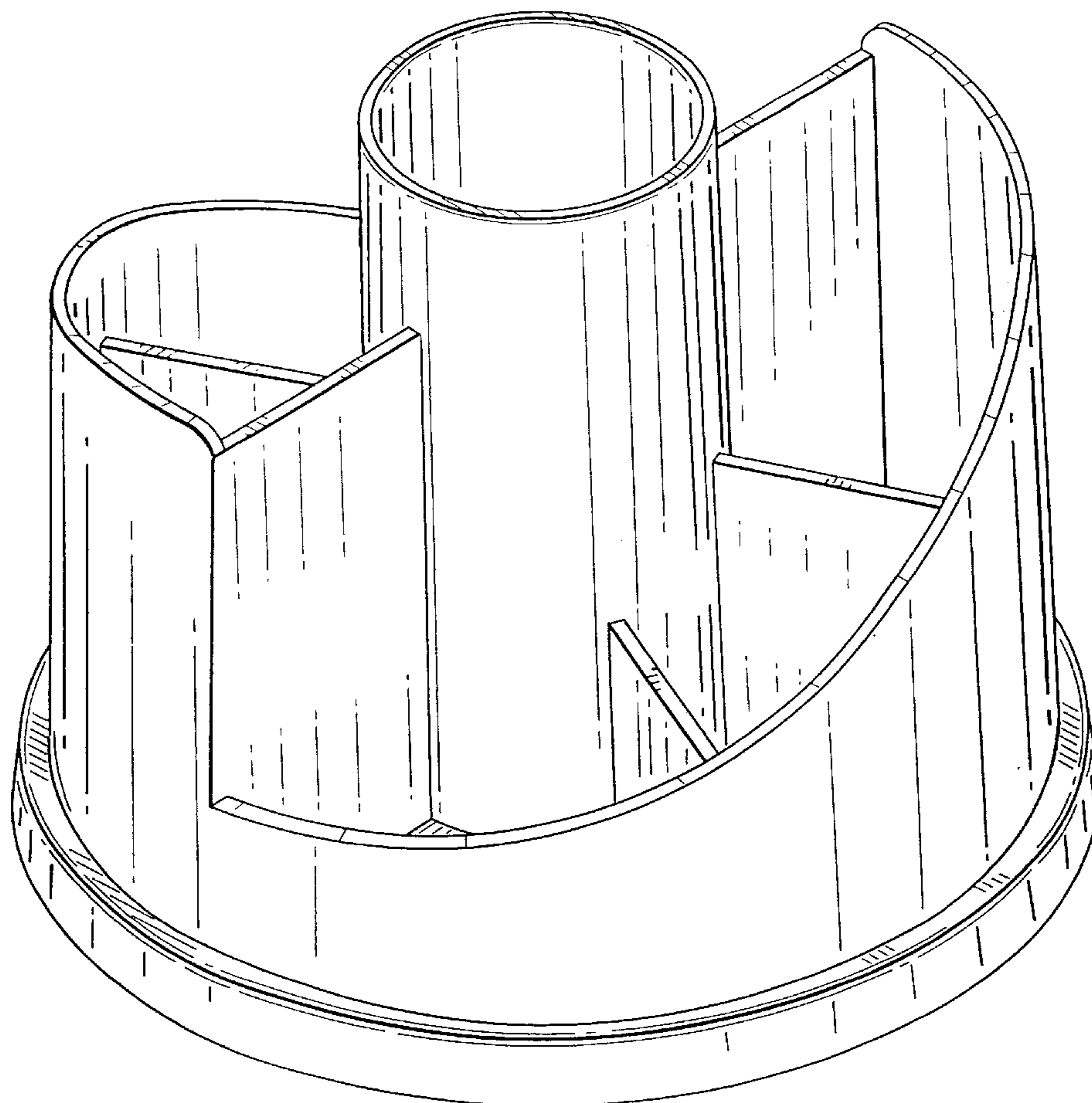
[57] **CLAIM**

I/we claim the ornamental design for a desk organizer, as shown and described.

DESCRIPTION

FIG. 1 is a top, right front perspective view of a desk organizer showing my new design;
FIG. 2 is a front elevational view thereof, the rear view being identical thereto;
FIG. 3 is a right side elevational view thereof, the left side view being identical thereto;
FIG. 4 is a top plan view thereof; and,
FIG. 5 is a bottom plan view thereof.

1 Claim, 5 Drawing Sheets



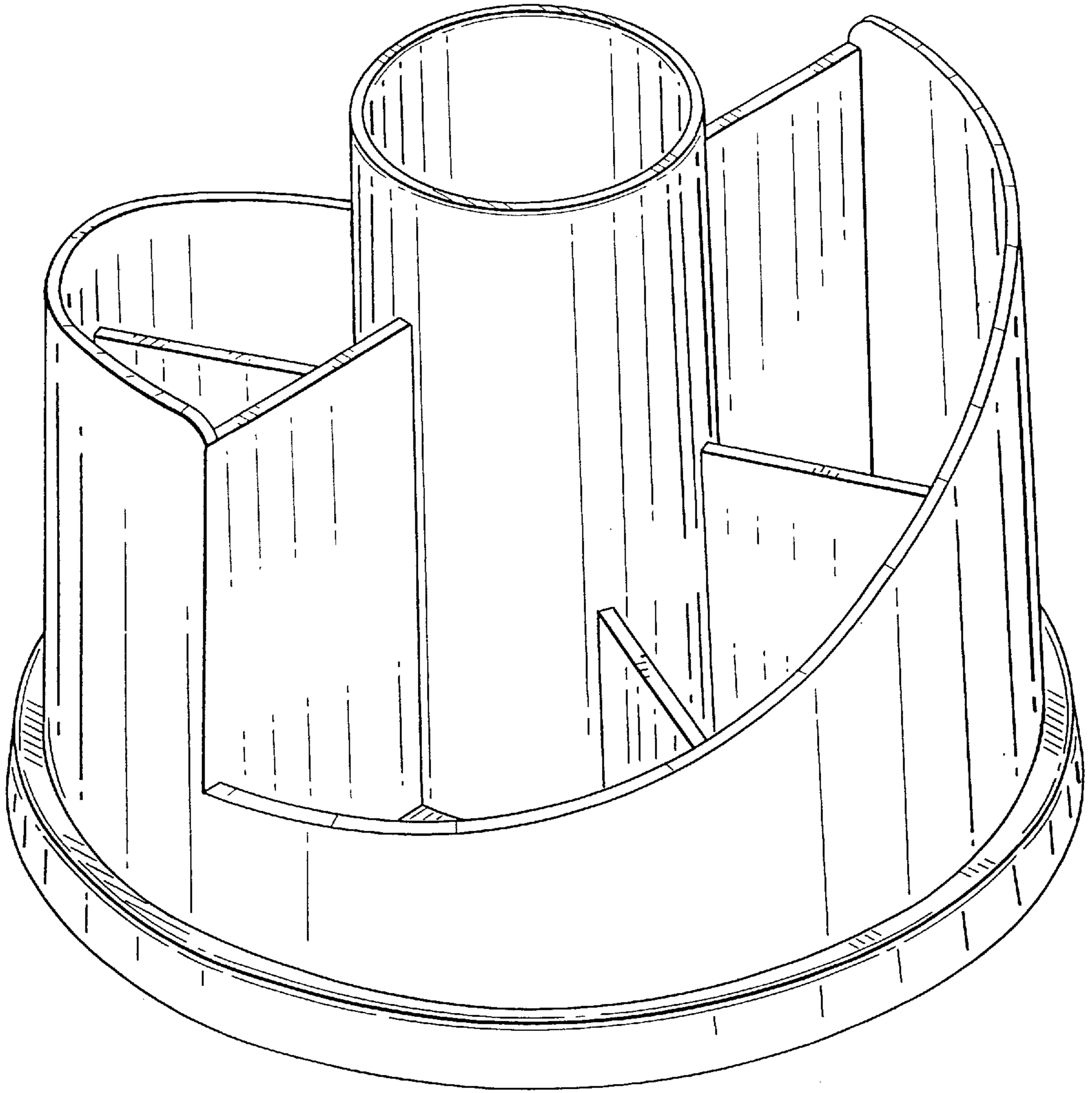


FIG. 1

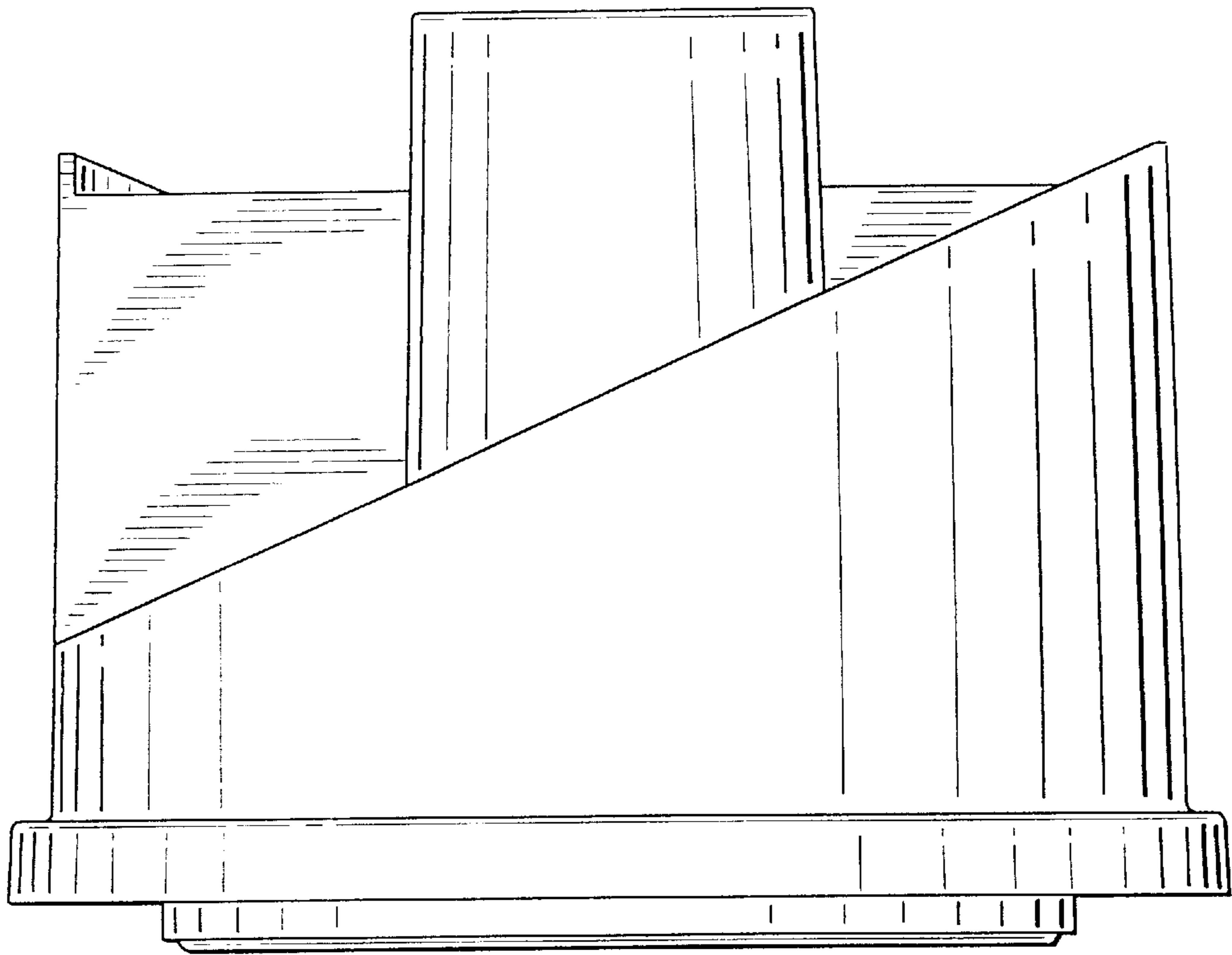


FIG. 2

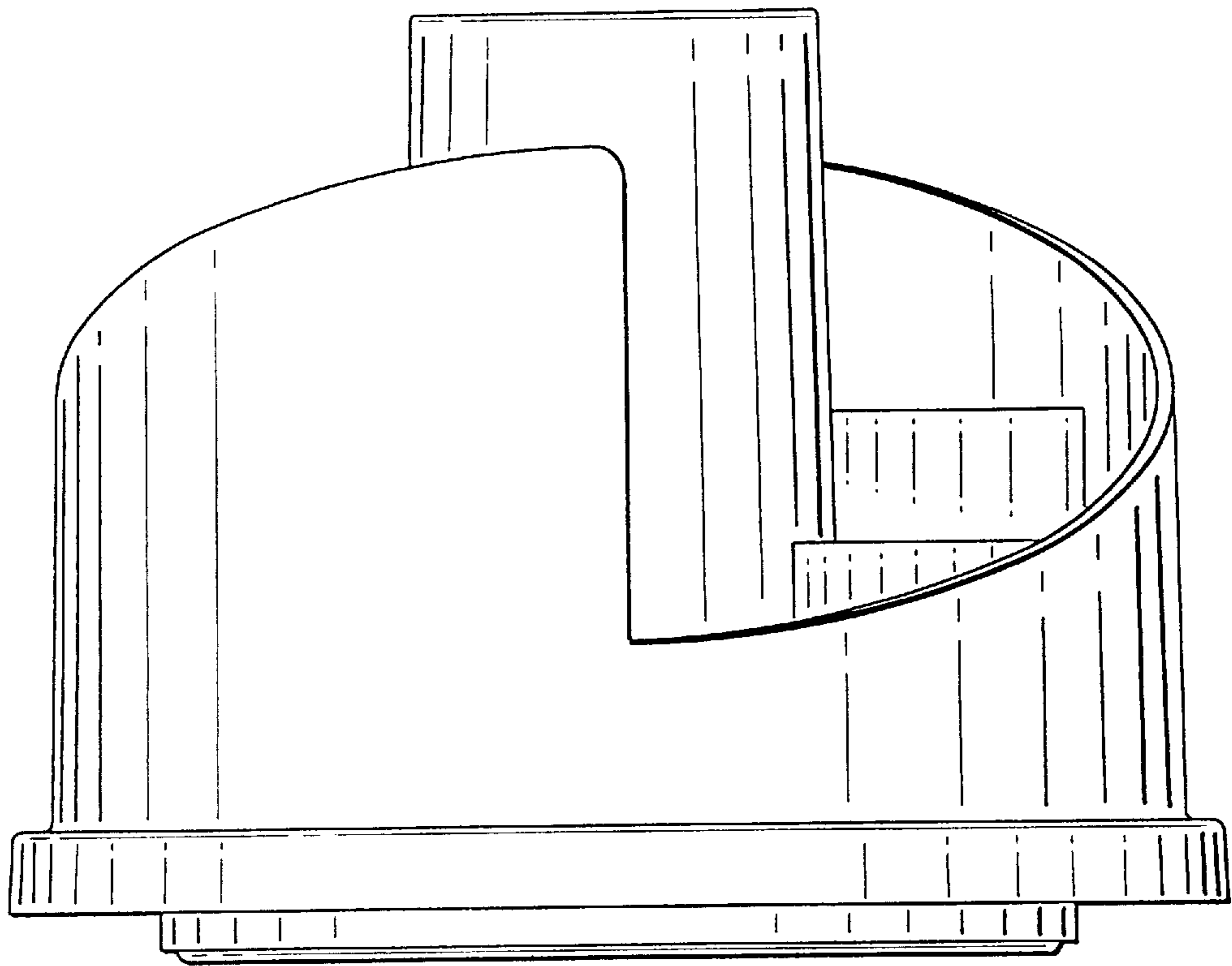


FIG. 3

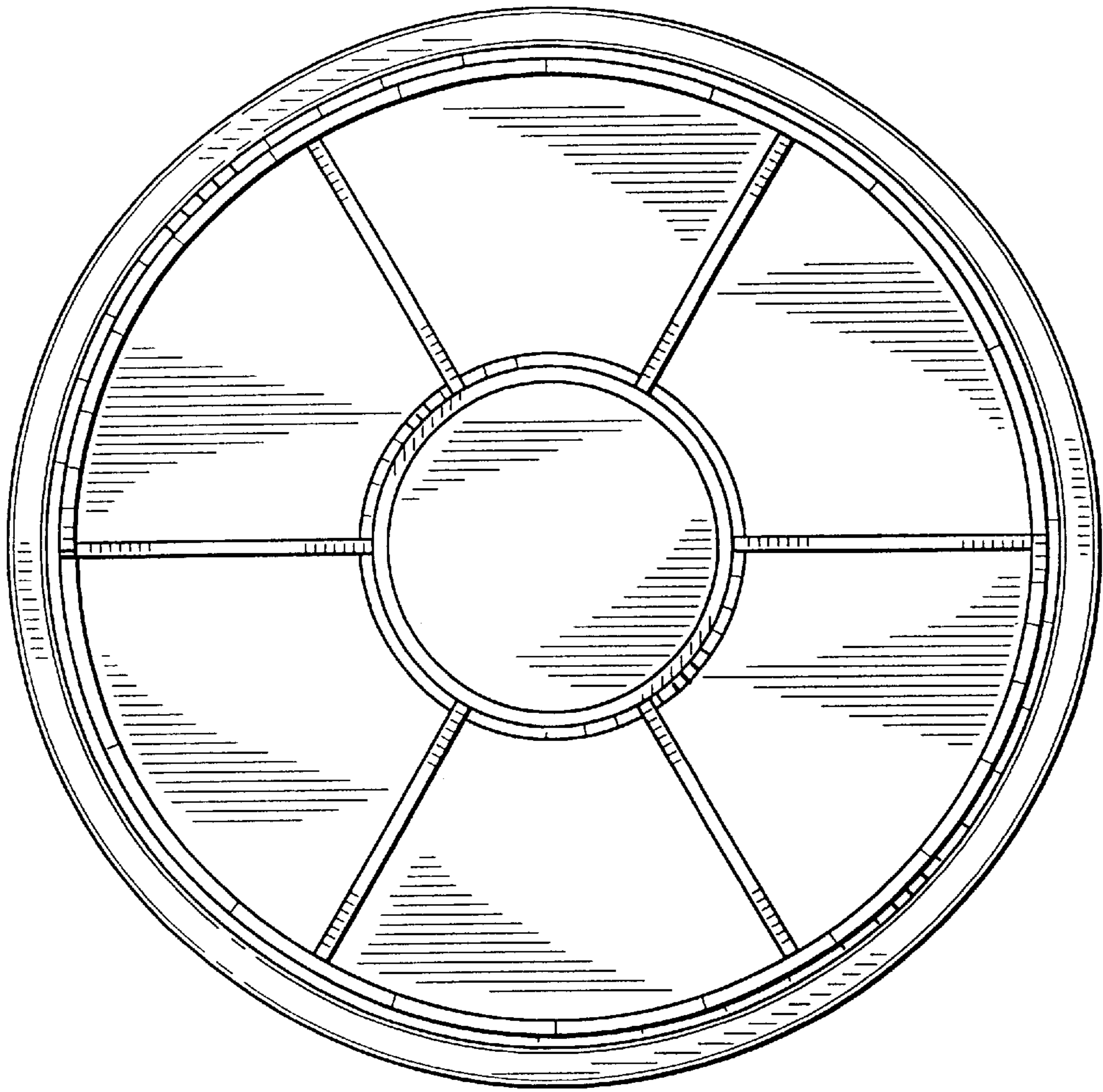


FIG. 4

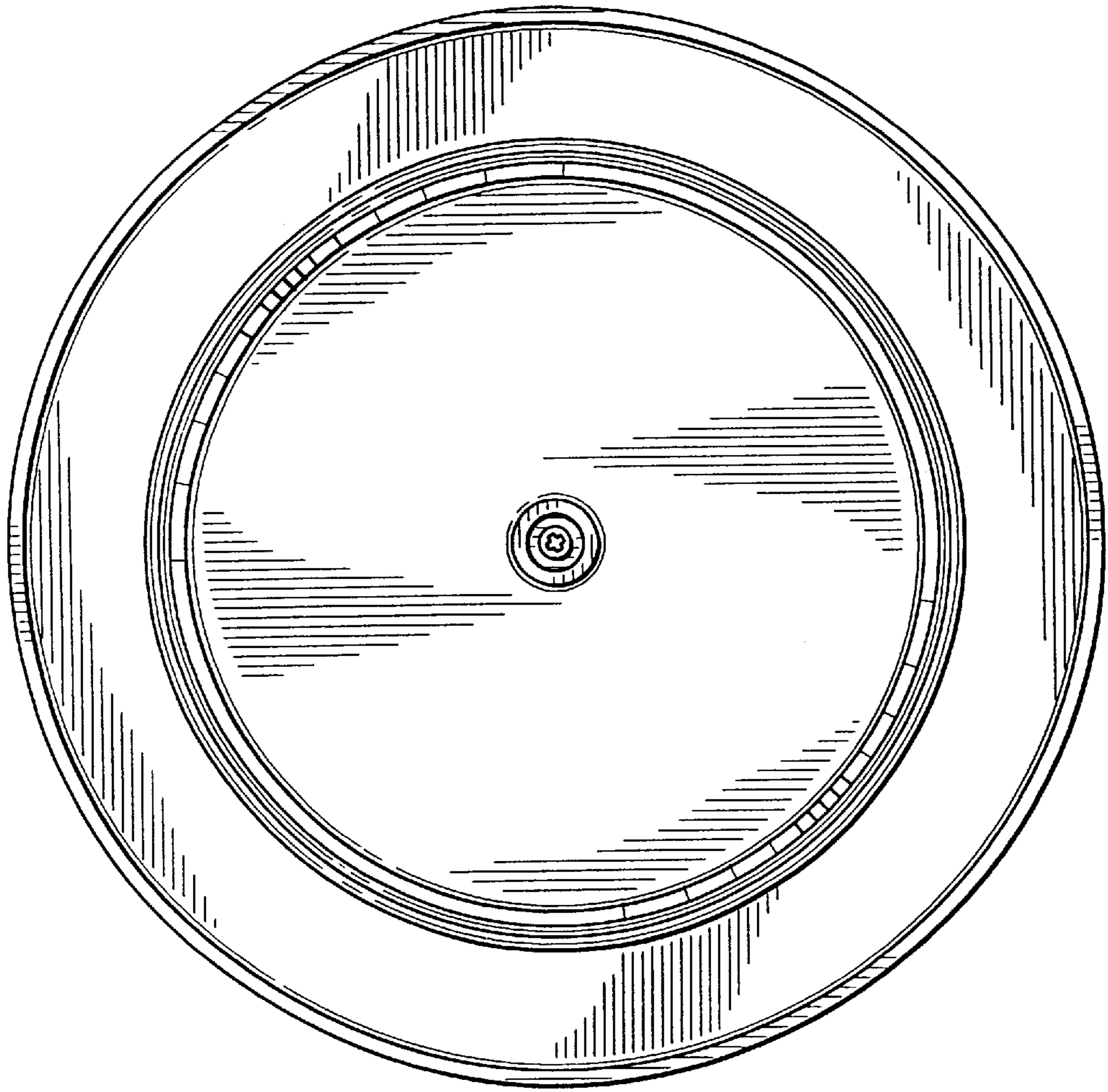


FIG. 5