



US00D407751S

United States Patent [19] Zimmermann

[11] **Patent Number: Des. 407,751**

[45] **Date of Patent: **Apr. 6, 1999**

[54] **PERFORATING MACHINE**

[75] Inventor: **Thomas Zimmermann**, Berlin, Germany

[73] Assignee: **F. Zimmermann GmbH & Co. KG**, Berlin, Germany

[**] Term: **14 Years**

[21] Appl. No.: **77,549**

[22] Filed: **Oct. 3, 1997**

[30] **Foreign Application Priority Data**

Jun. 13, 1997 [DE] Germany M 97 05 452.6

[51] **LOC (6) Cl.** **19-02**

[52] **U.S. Cl.** **D19/72; D18/34; D18/15; D18/99**

[58] **Field of Search** D18/34, 15, 99; D19/72, 100, 65; D8/98; 234/98, 106, 78; 101/26, 30, 19

[56] **References Cited**

U.S. PATENT DOCUMENTS

D. 101,889 11/1936 Rix D19/72

D. 175,173	7/1955	Kress et al.	D18/15
D. 200,939	4/1965	Kress et al.	D18/15
D. 291,703	9/1987	Fink et al.	D18/15
D. 304,456	11/1989	Takahashi	D19/72
D. 321,907	11/1991	Matsuno	D19/72
D. 335,300	5/1993	Ishii	D18/15
D. 371,572	7/1996	Kawashima et al.	D18/14
3,402,662	9/1968	Blair et al.	101/26

Primary Examiner—Louis S. Zarfaz
Assistant Examiner—Gregory Andoll
Attorney, Agent, or Firm—McGlew and Tuttle

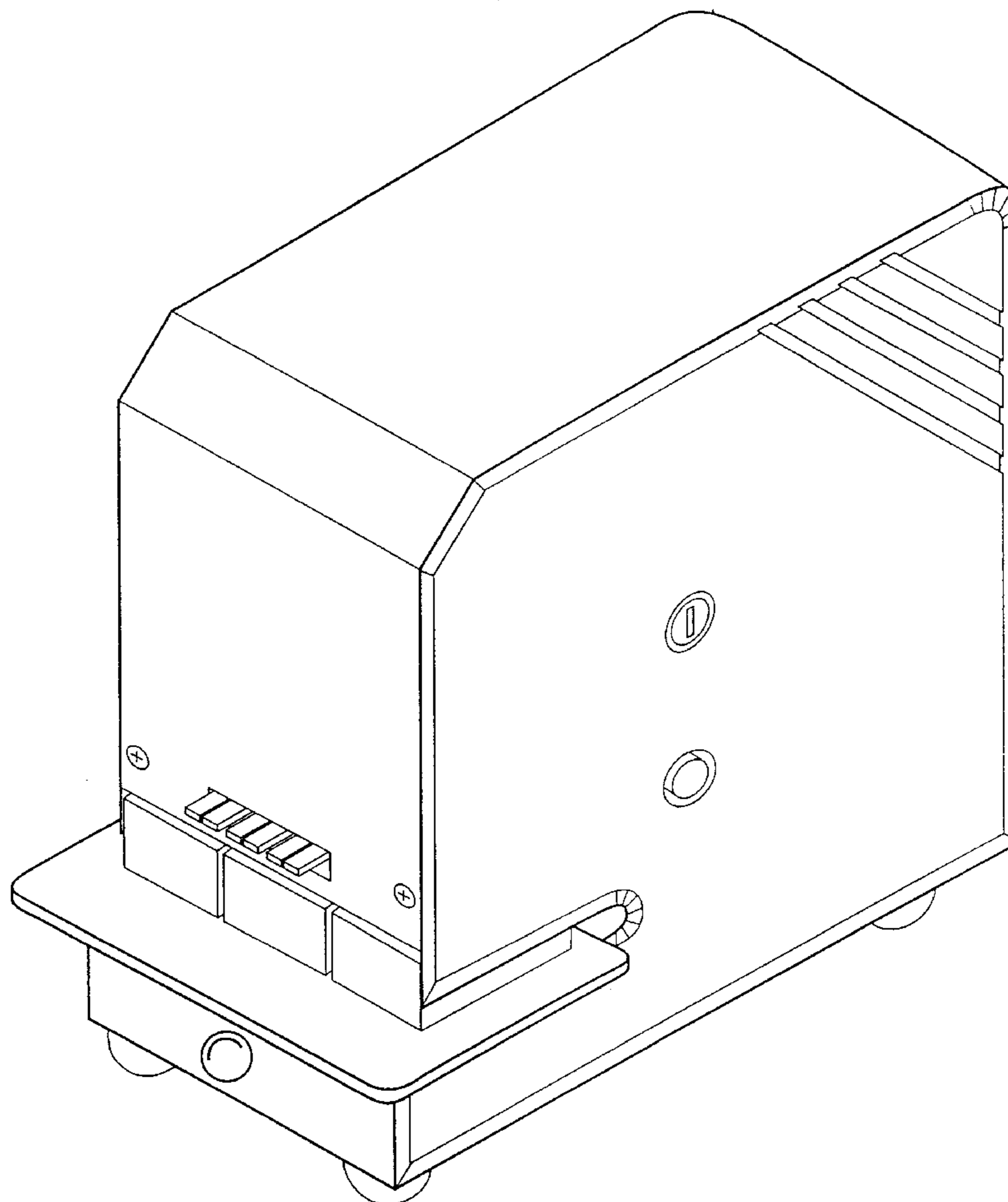
[57] **CLAIM**

The ornamental design for a perforating machine, as shown and described.

DESCRIPTION

FIG. 1 is a perspective view of perforating machine, showing my new design;
FIG. 2 is a right side view thereof;
FIG. 3 is a left side view thereof;
FIG. 4 is top view thereof;
FIG. 5 is bottom view thereof;
FIG. 6 is a front view thereof; and,
FIG. 7 is a rear view thereof.

1 Claim, 7 Drawing Sheets



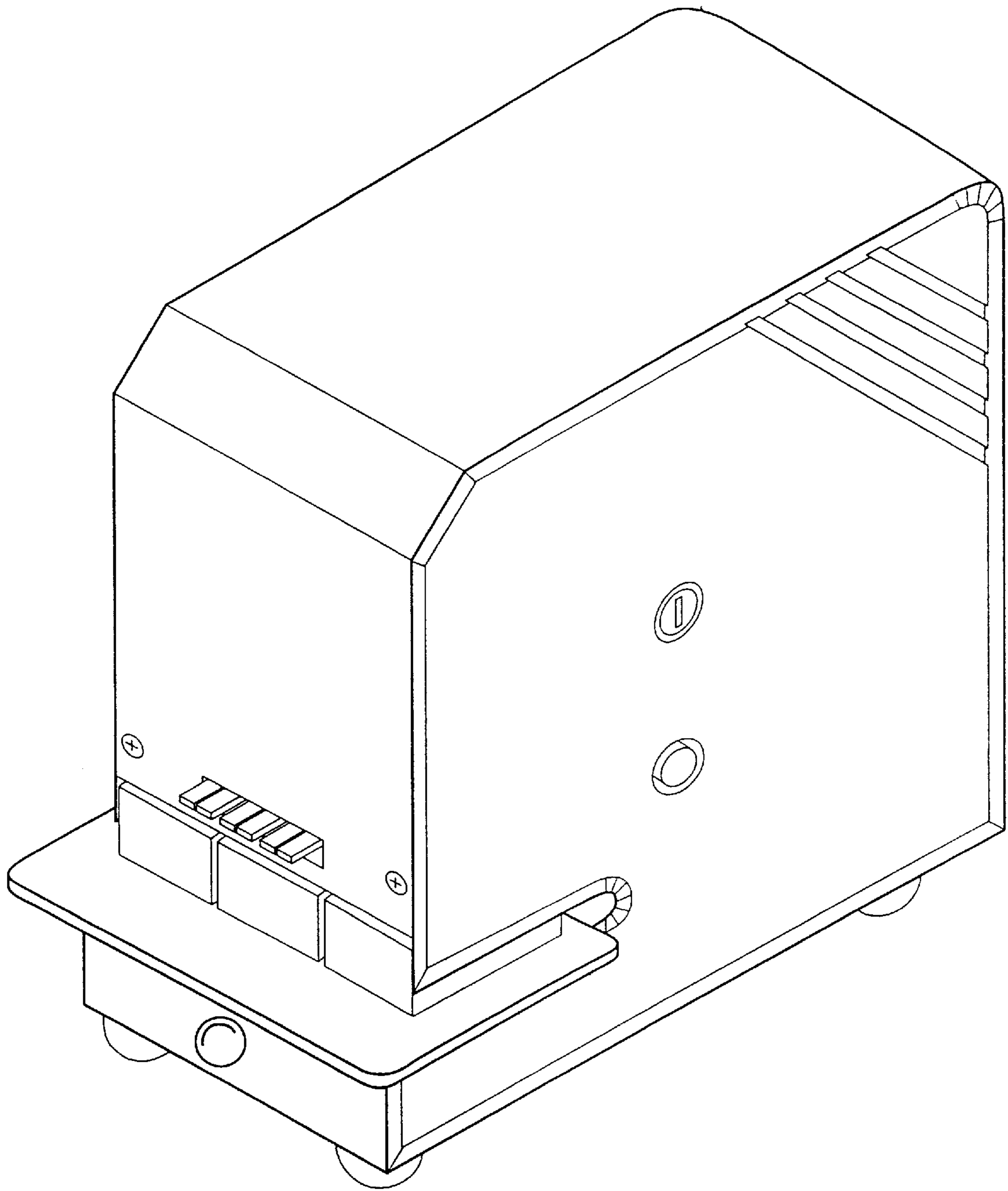


FIG. 1

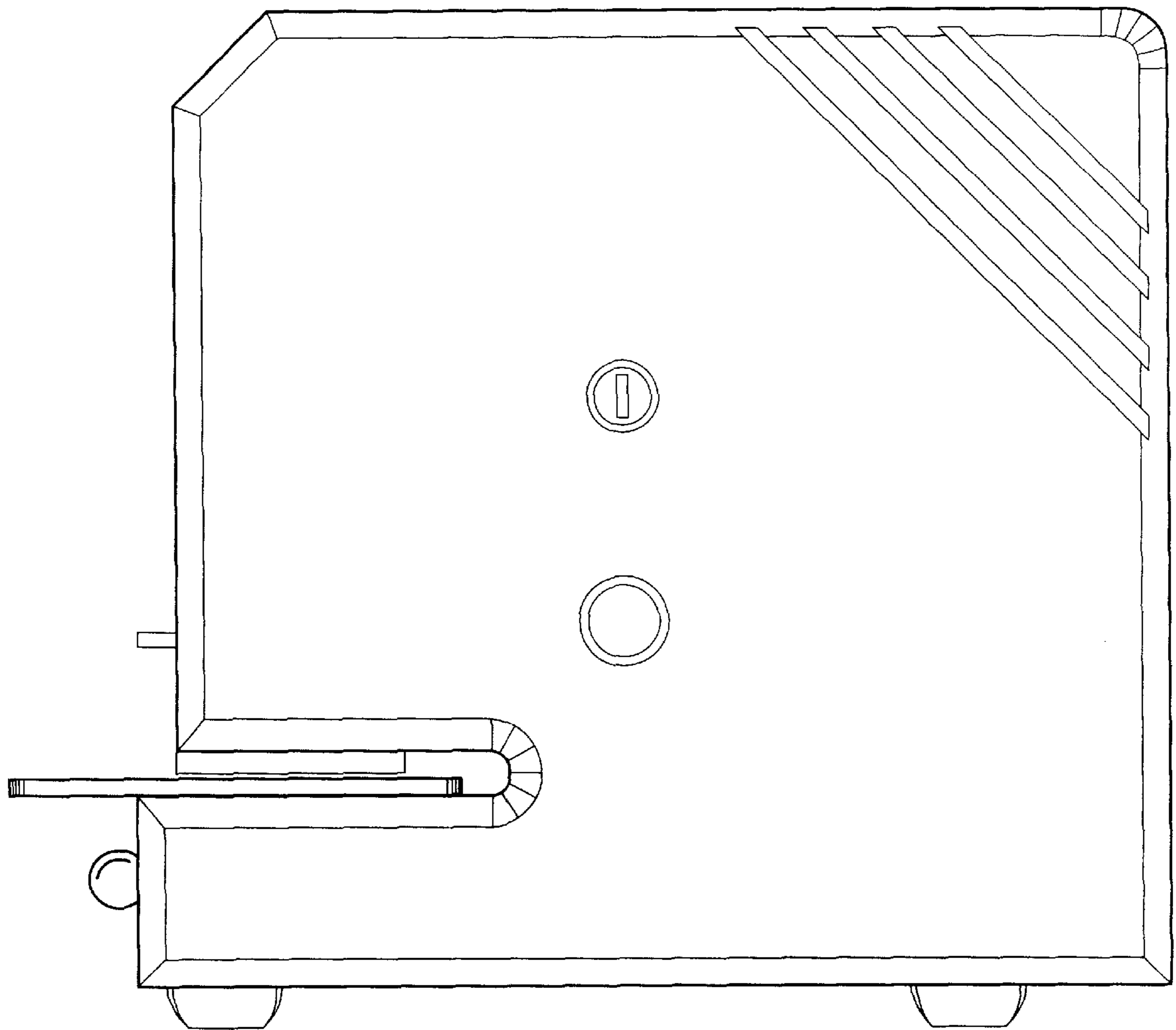


FIG. 2

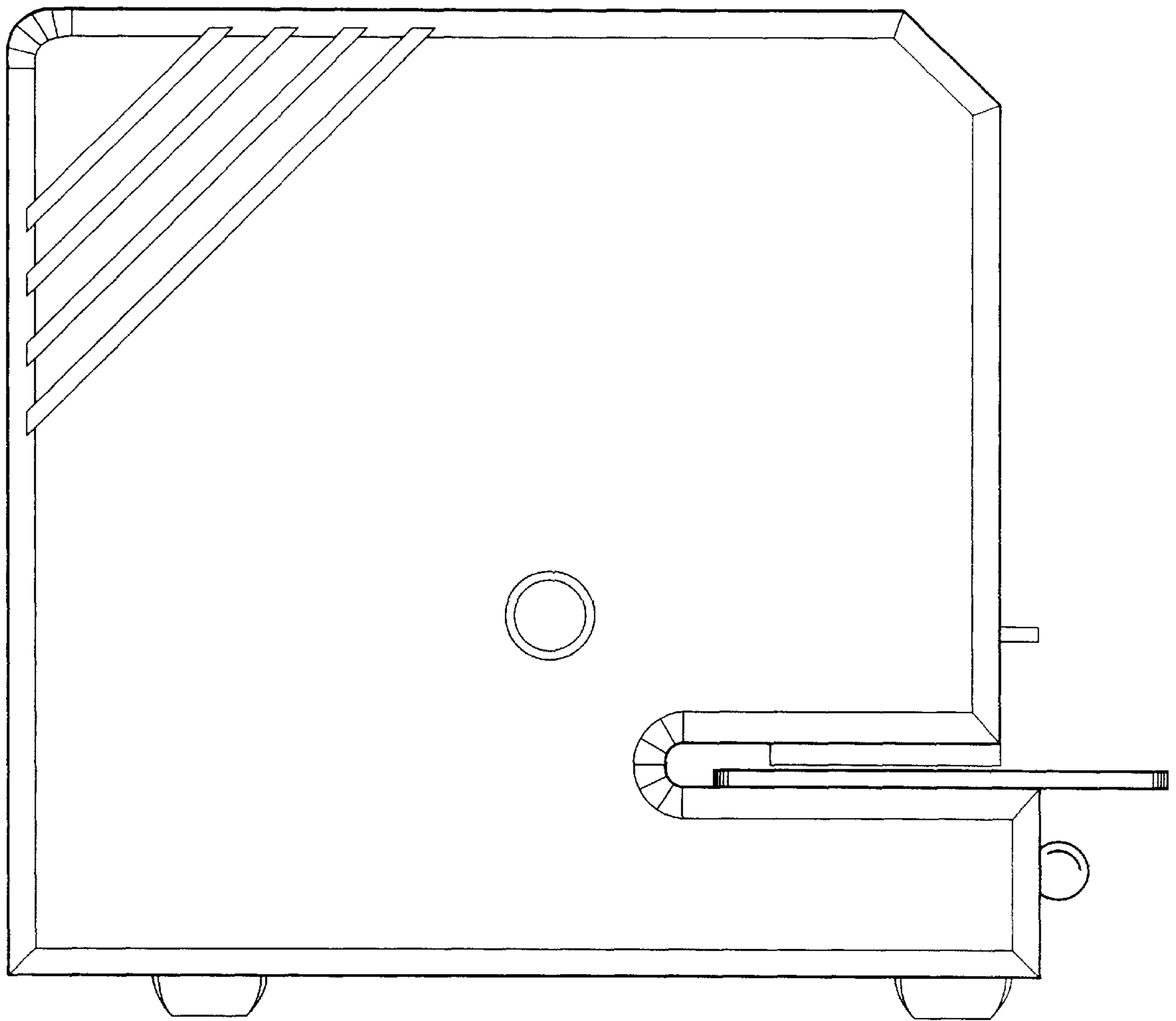


FIG. 3

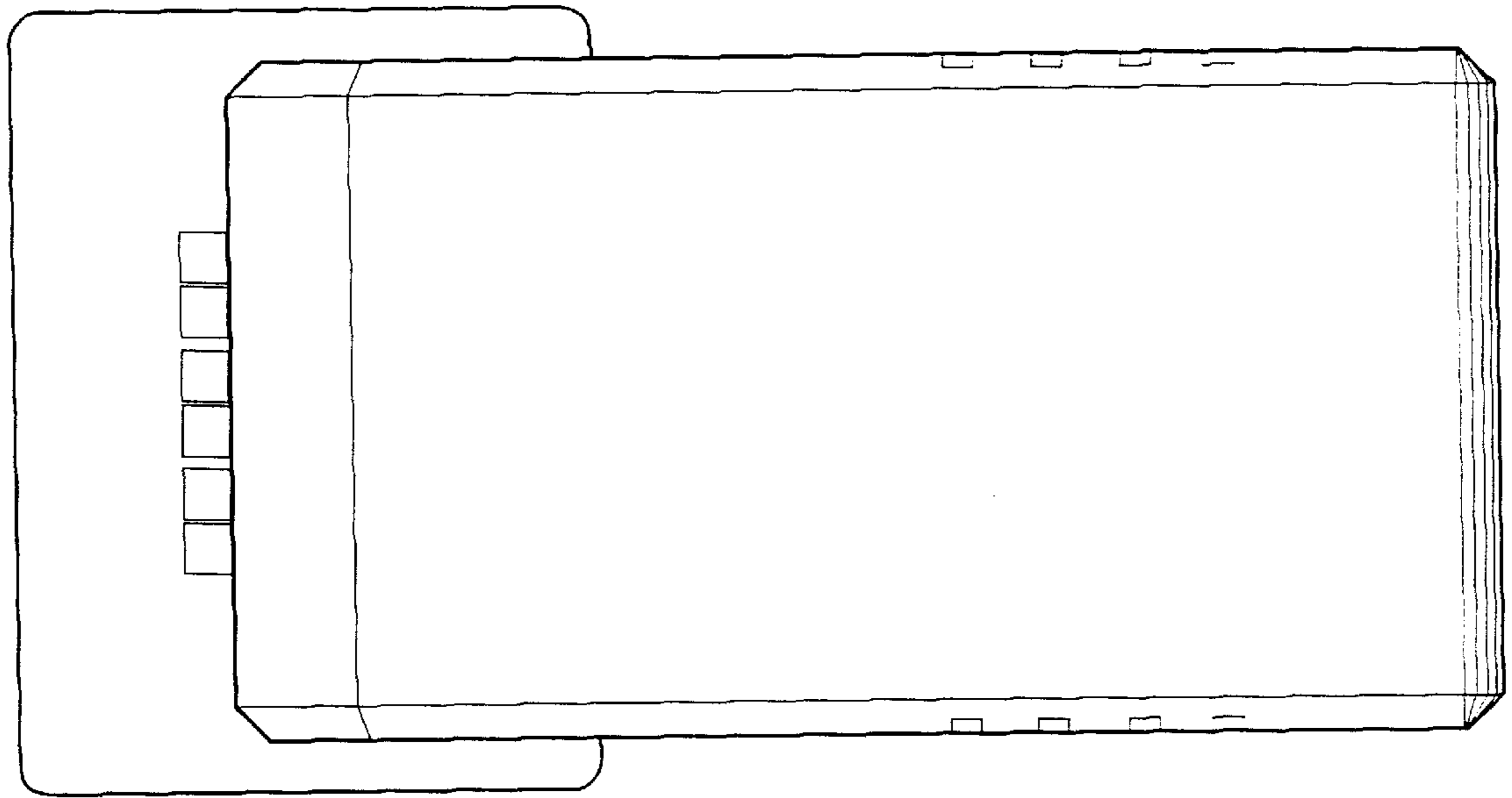


FIG. 4

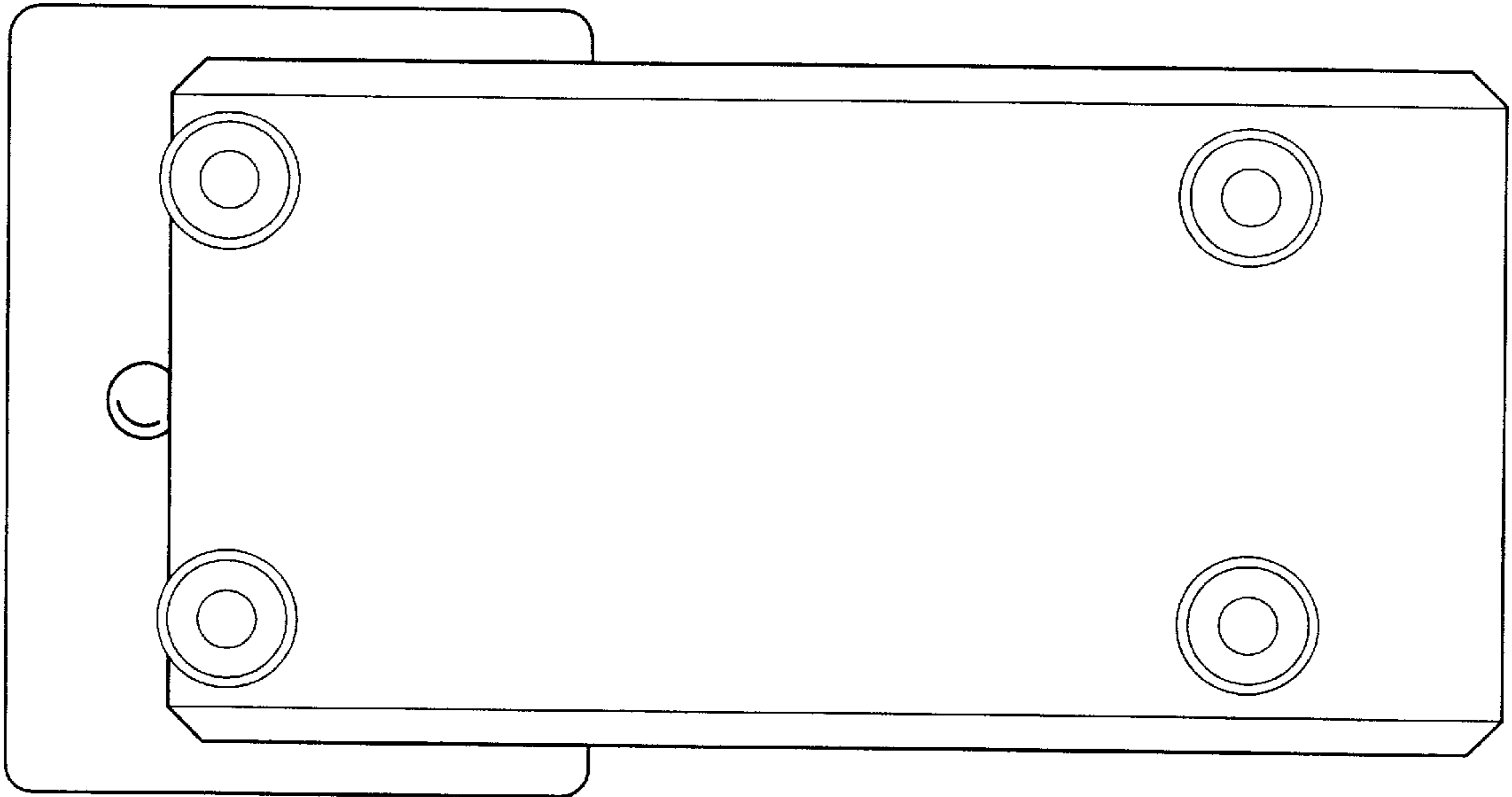


FIG. 5

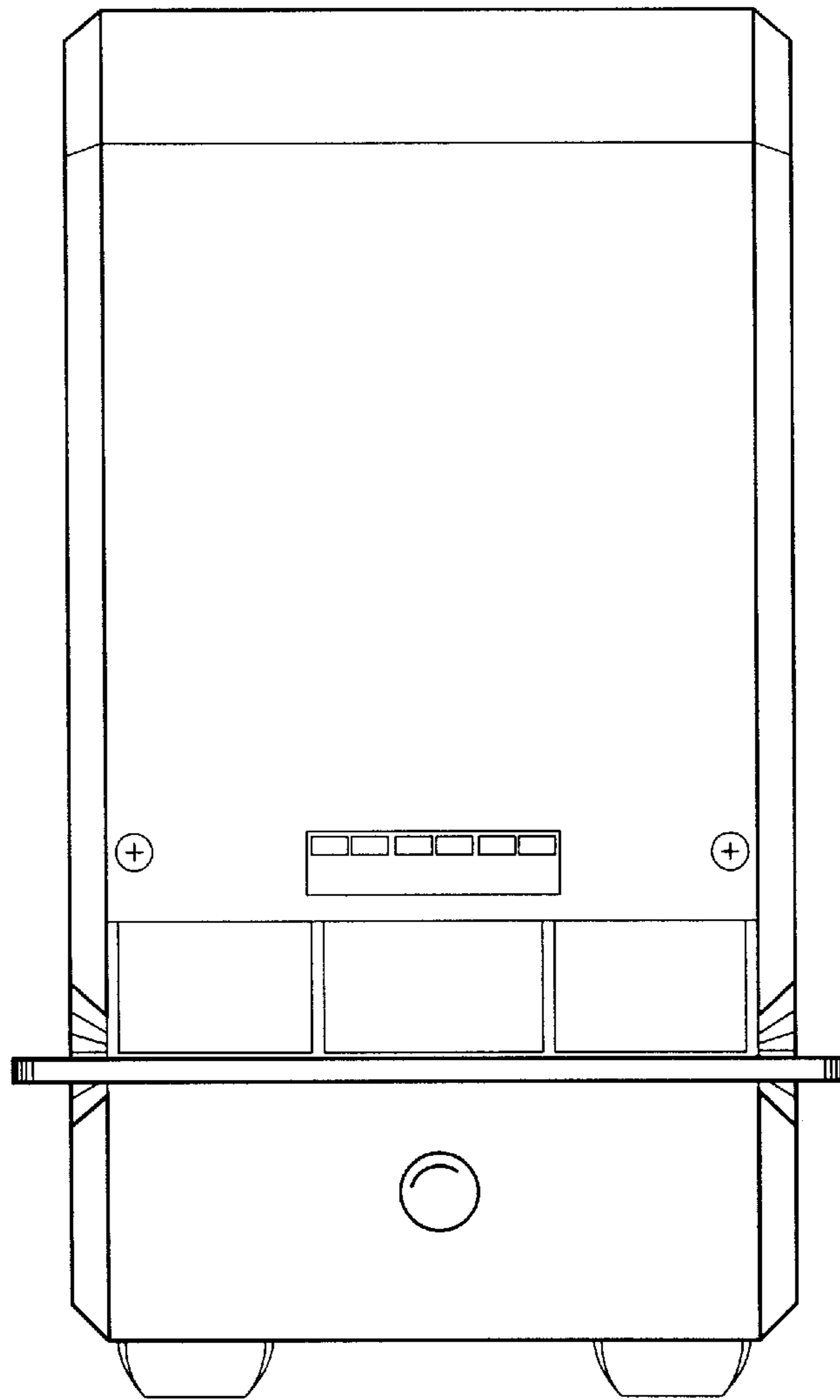


FIG. 6

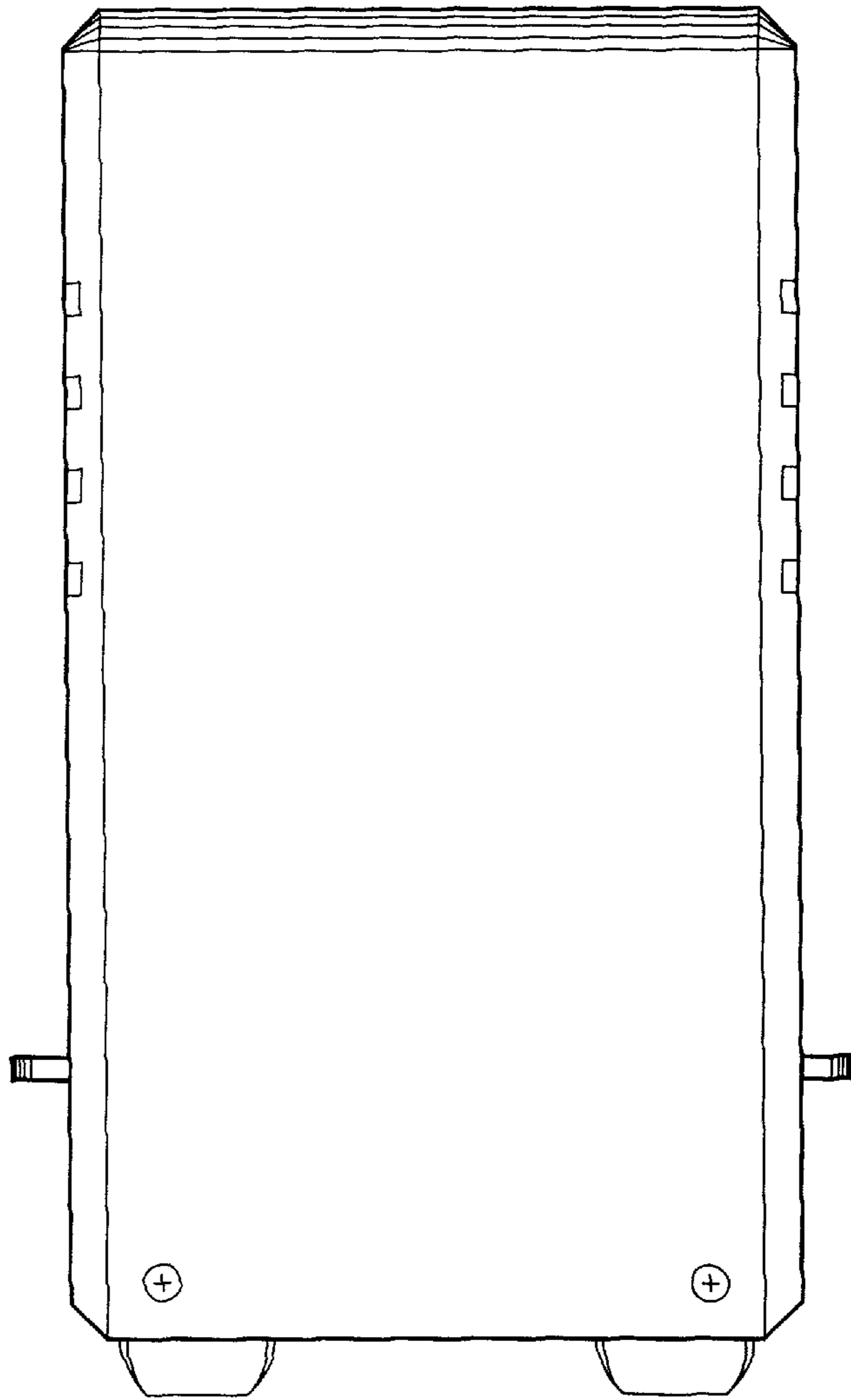


FIG. 7