



US00D407750S

# United States Patent [19]

Watters

[11] Patent Number: **Des. 407,750**

[45] Date of Patent: **\*\*Apr. 6, 1999**

[54] LABEL DISPENSER

[76] Inventor: **Tracy Watters**, 3310 Honeyburl Dr., Colorado Springs, Colo. 80918

[\*\*] Term: **14 Years**

[21] Appl. No.: **90,841**

[22] Filed: **Jul. 16, 1998**

[51] LOC (6) Cl. .... **19-02**

[52] U.S. Cl. .... **D19/69; D19/67**

[58] Field of Search ..... D19/65, 67, 68, D19/69, 99, 100; D10/72; 225/5, 6, 7, 19, 24, 25, 35, 36, 45, 46, 56, 65, 77, 89; 221/71, 73, 69, 70, 72; 156/327, 510, 523, 577; 242/588, 588.3, 588.6

[56] **References Cited**

**U.S. PATENT DOCUMENTS**

D. 177,224	3/1956	Gorshen	.....	D19/69
D. 242,452	11/1976	Brown, Sr.	.....	D19/69
D. 331,262	11/1992	O'Brien	.....	D19/67 X
D. 342,092	12/1993	Samuelson et al.	.....	D19/69
D. 347,243	5/1994	Thomas-Cote et al.	.....	D19/69
2,055,281	9/1936	Dulczewski	.....	D19/67 X
2,838,171	6/1958	Kaspar	.....	206/58

2,912,140	11/1959	Cole	.....	221/70
3,107,814	10/1963	Auger et al.	.....	221/73
4,570,868	2/1986	Wiggs et al.	.....	221/73 X
4,574,979	3/1986	Hackett	.....	221/73
4,704,185	11/1987	Fischer	.....	156/577
4,954,210	9/1990	Desmond	.....	221/71 X

*Primary Examiner*—Martie K. Holtje

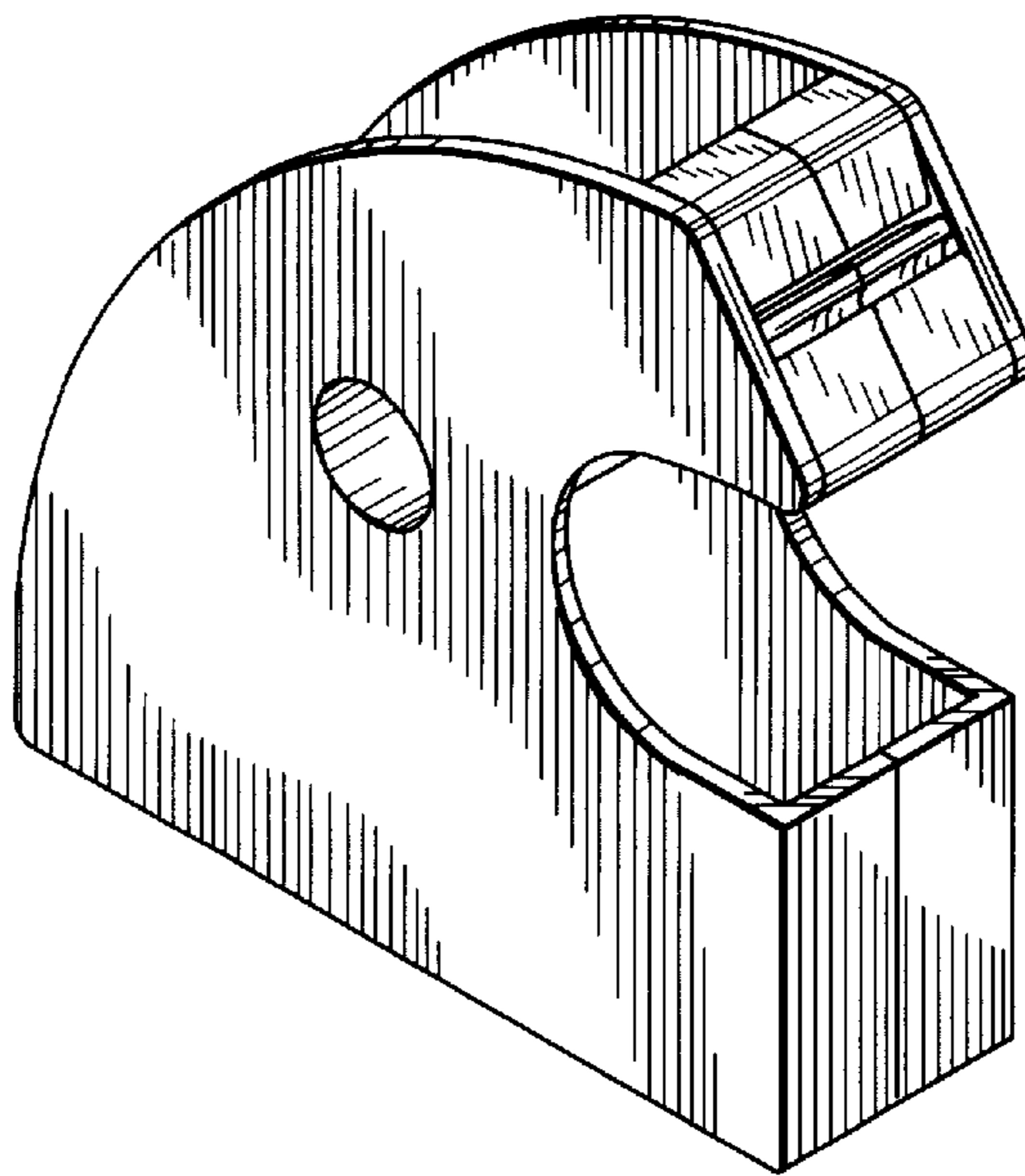
[57] **CLAIM**

The ornamental design for a label dispenser, as shown.

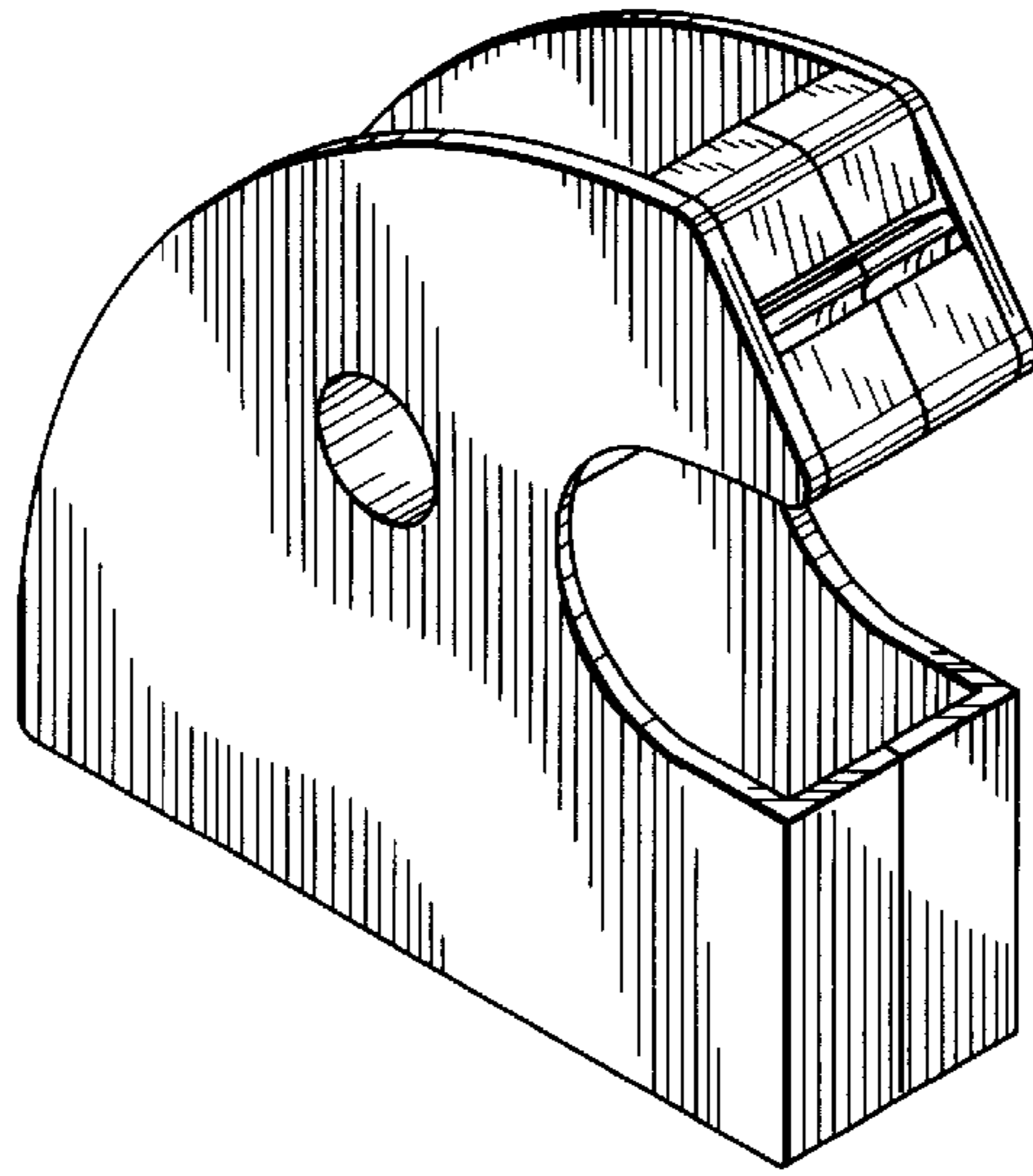
**DESCRIPTION**

FIG. 1 is a perspective view of the label dispenser of the present invention;  
 FIG. 2 is a top view of the label dispenser of the present invention;  
 FIG. 3 is a front view of the label dispenser of the present invention;  
 FIG. 4 is a side view of the label dispenser of the present invention; the other side of the label dispenser is identical;  
 FIG. 5 is a rear view of the label dispenser of the present invention; and,  
 FIG. 6 is a bottom view of the label dispenser of the present invention.

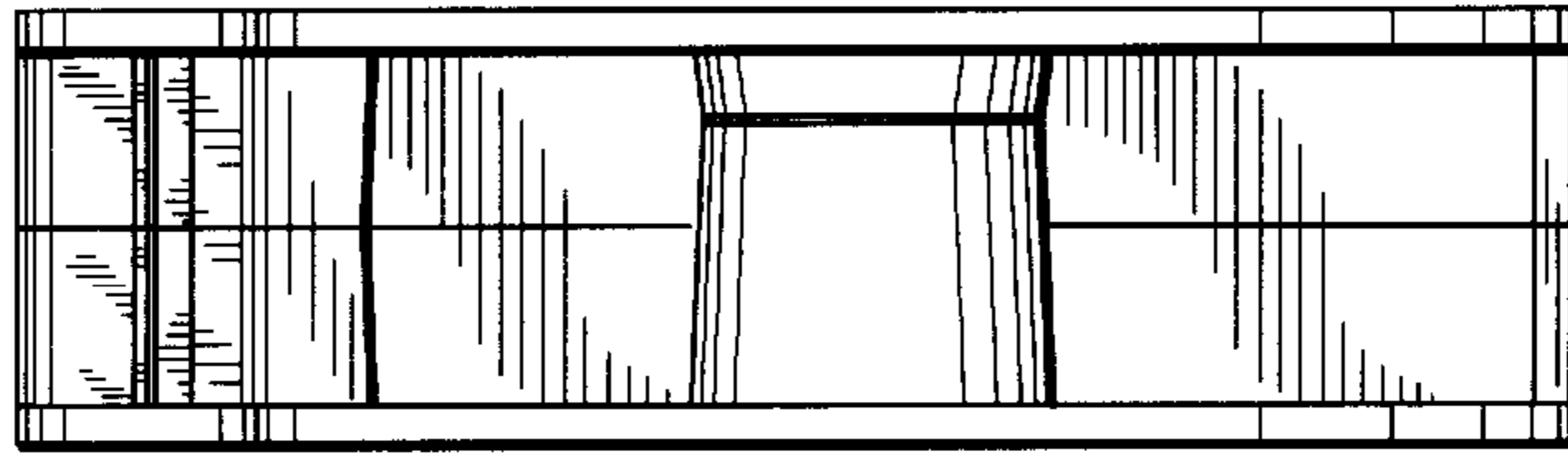
**1 Claim, 1 Drawing Sheet**



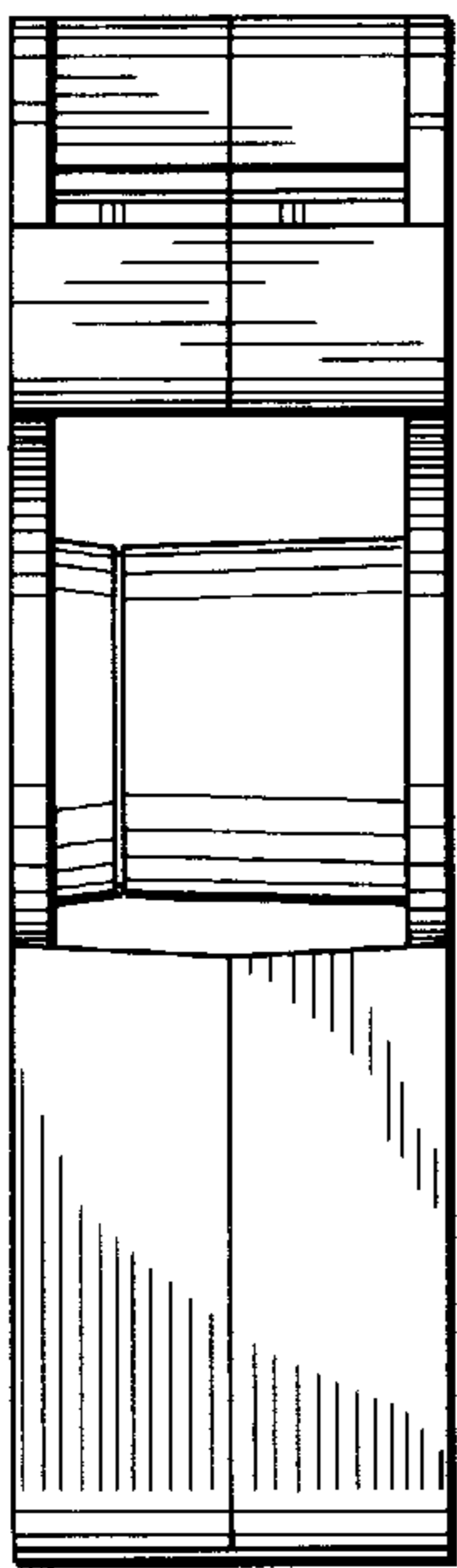
**Fig. 1**



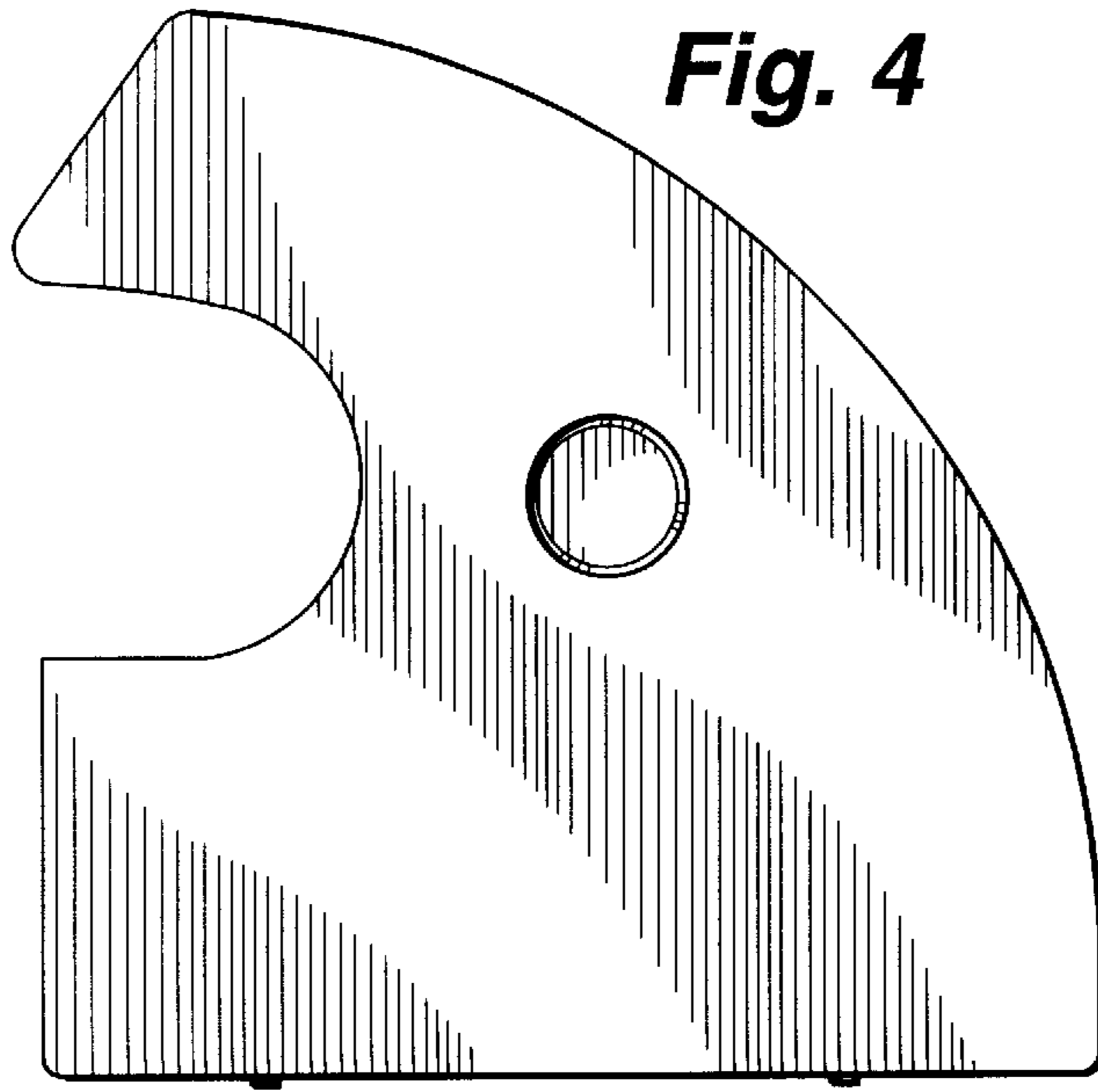
**Fig. 2**



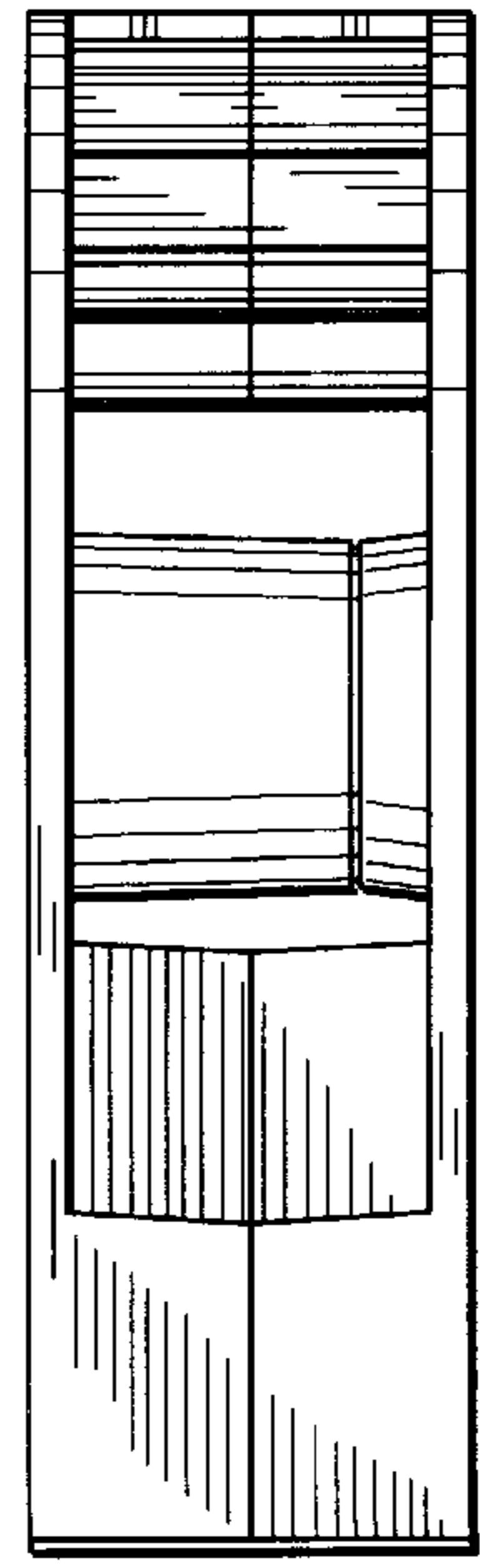
**Fig. 3**



**Fig. 4**



**Fig. 5**



**Fig. 6**

