



US00D407747S

United States Patent [19] Liu

[11] Patent Number: **Des. 407,747**

[45] Date of Patent: ****Apr. 6, 1999**

[54] MEMO GLOBE

[75] Inventor: **David Liu**, Taipei, Taiwan

[73] Assignee: **Glory Creations, Inc.**, China

[**] Term: **14 Years**

[21] Appl. No.: **55,528**

[22] Filed: **Jun. 6, 1996**

[51] LOC (6) Cl. **19-04**

[52] U.S. Cl. **D19/28; D19/26; D19/62; D19/97**

[58] Field of Search D19/33, 35, 36, D19/61, 62, 65, 75, 86, 90, 91, 95, 96, 97, 99, 100, 26, 28; 281/15.1; 434/403, 428, 131; 229/DIG. 4; 248/174; 40/539; 428/11

[56] **References Cited**

U.S. PATENT DOCUMENTS

| | | | | |
|------------|--------|--------------|-------|----------|
| D. 70,173 | 5/1926 | Holtz | | D19/97 |
| D. 85,206 | 9/1931 | Schulse | | D19/62 |
| D. 90,228 | 7/1933 | Beall et al. | | D19/97 |
| D. 136,280 | 8/1943 | Holland | | D19/82 |
| D. 278,640 | 4/1985 | Multer | | D19/97 X |

| | | | | |
|------------|---------|----------|-------|----------|
| D. 281,983 | 12/1985 | Yasutuke | | D19/61 |
| D. 303,989 | 10/1989 | Körner | | D19/26 |
| 2,333,162 | 11/1943 | Eddy | | 434/131 |
| 4,120,100 | 10/1978 | Dugan | | 434/403 |
| 4,828,289 | 5/1989 | Körner | | 281/15.1 |
| 5,232,371 | 8/1993 | Day-Cain | | 434/428 |

Primary Examiner—Martie K. Holtje
Attorney, Agent, or Firm—Grimes & Battersby

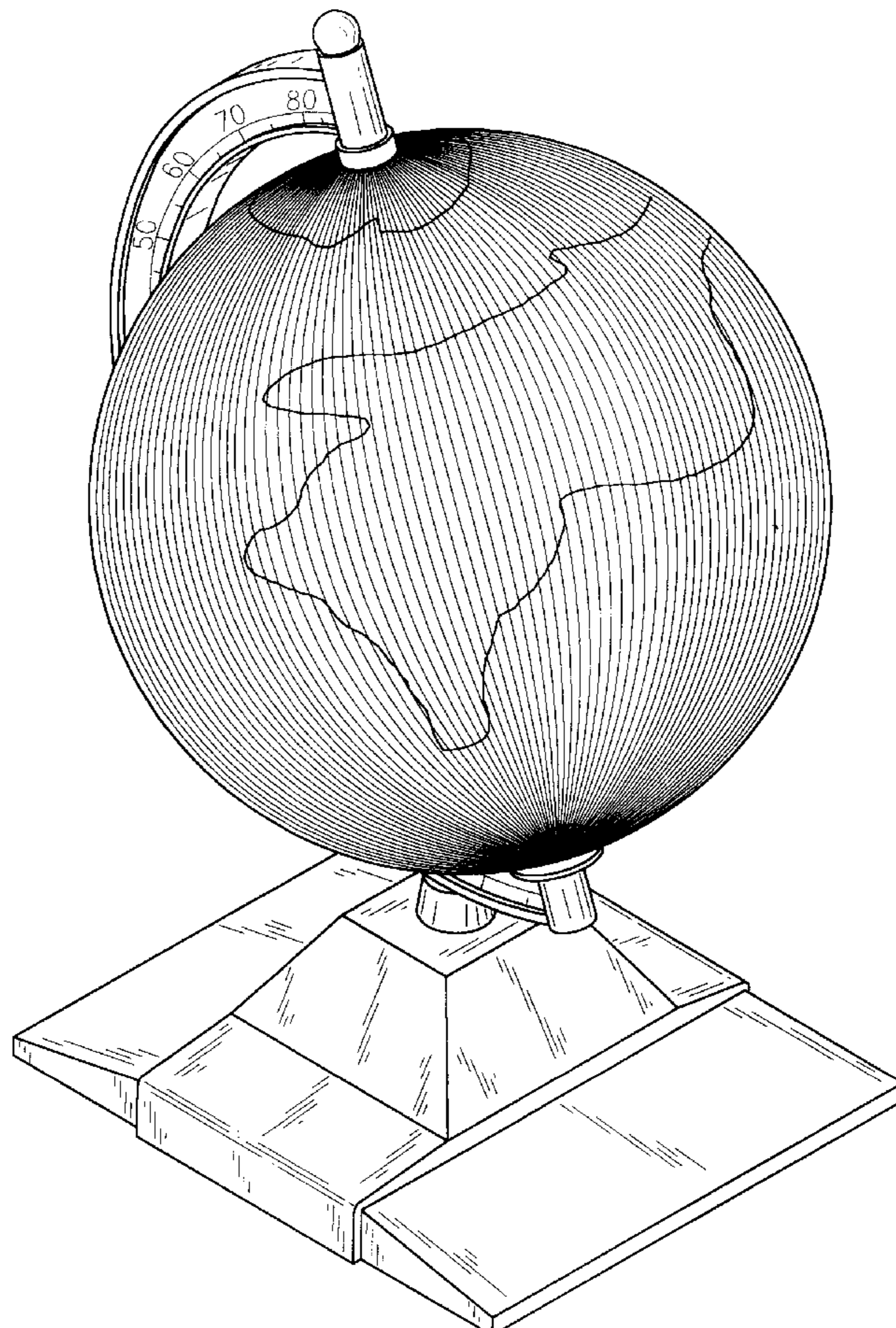
[57] **CLAIM**

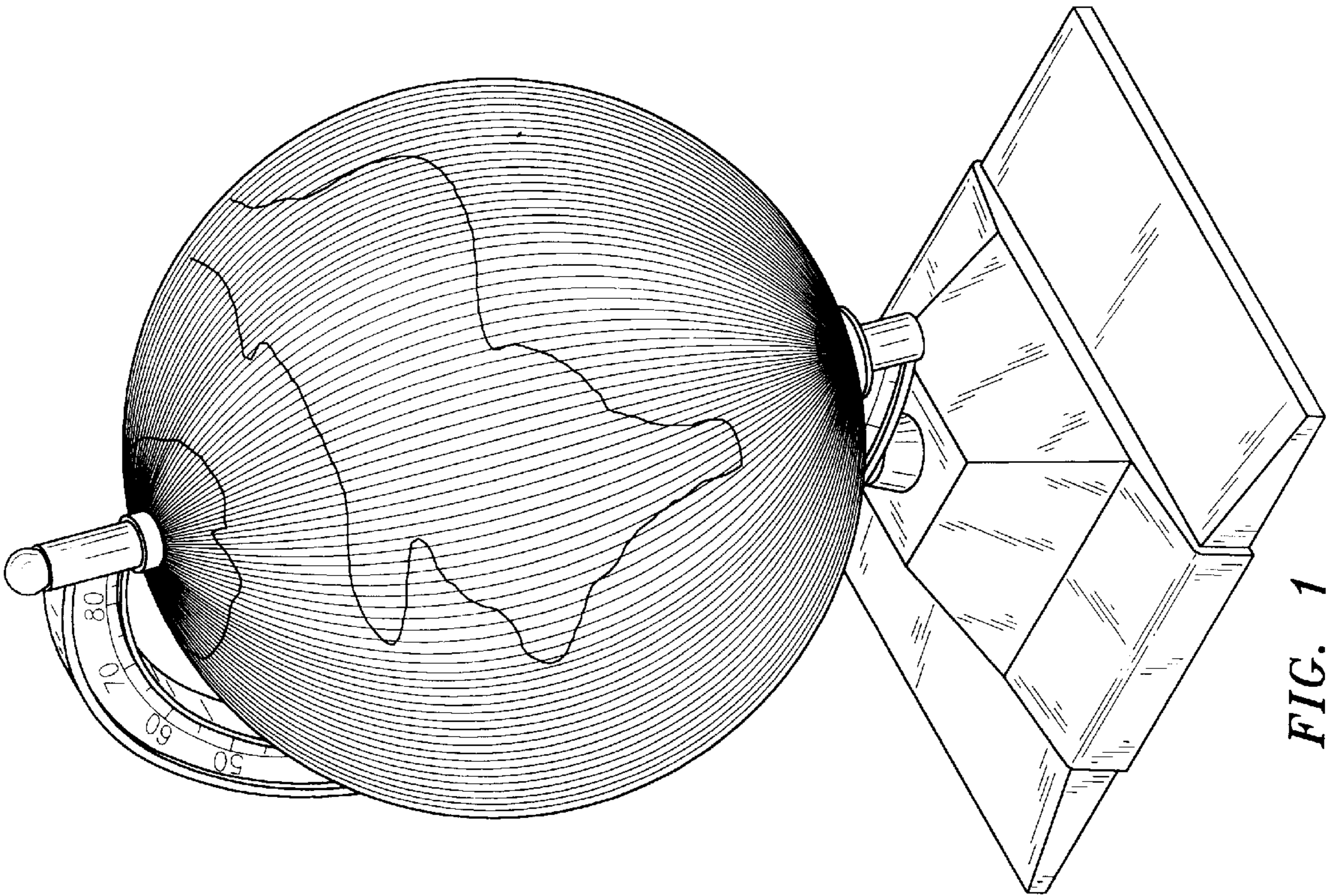
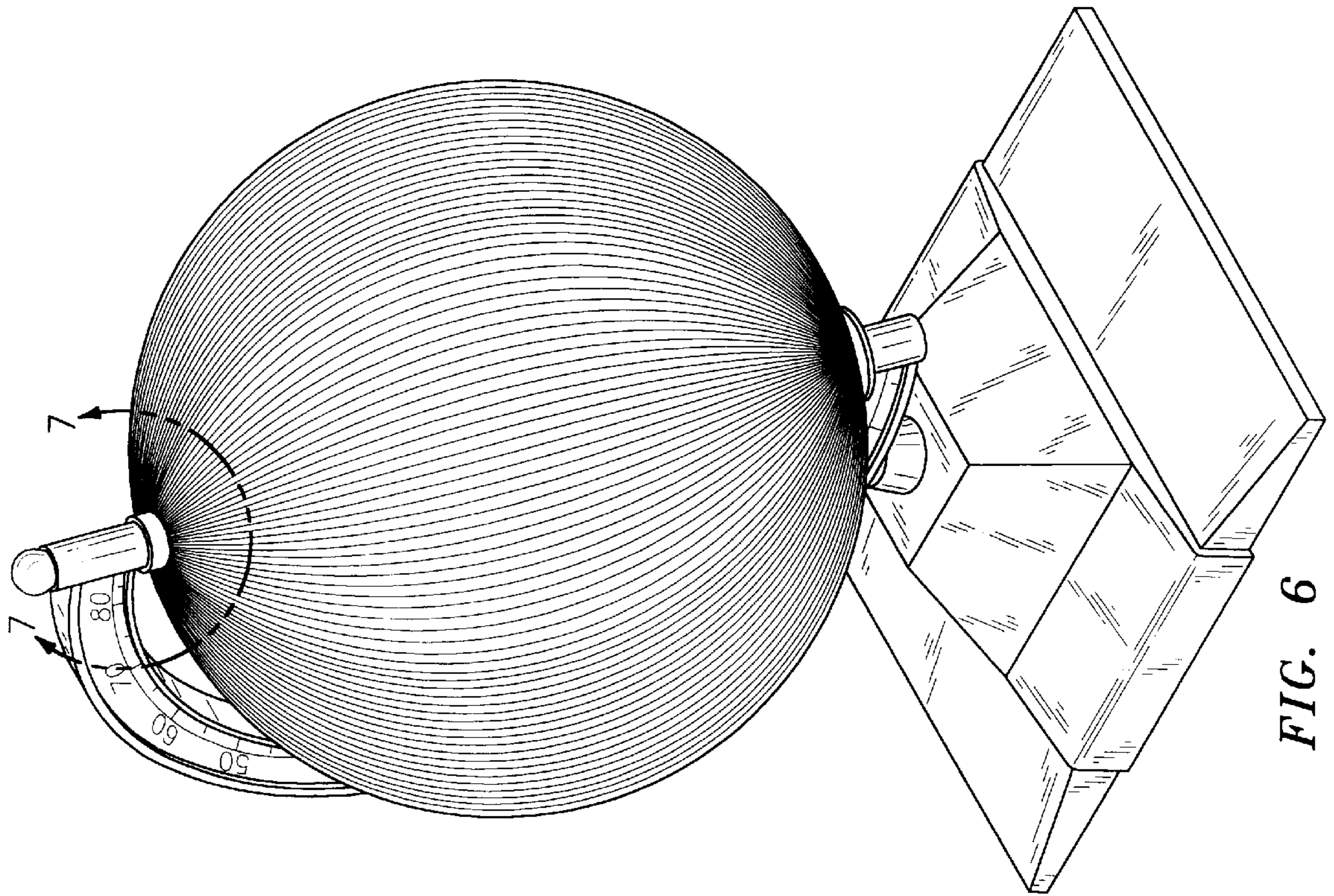
The ornamental design for a memo globe, as shown and described.

DESCRIPTION

FIG. 1 is a front perspective view of the memo globe of the present invention;
FIG. 2 is a right side view of the memo globe of FIG. 1;
FIG. 3 is a front view of the memo globe of FIG. 1;
FIG. 4 is a left side view of the memo globe of FIG. 1;
FIG. 5 is a top view of the memo globe of FIG. 1;
FIG. 6 is a front perspective view of an alternative embodiment of the memo globe;
FIG. 7 is an enlarged fragmentary perspective view of the polar area, defined by arrows 7—7 in FIG. 6; and,
FIG. 8 is an enlarged fragmentary top plan view of the polar area, taken in the direction of arrows 8—8 in FIG. 7, the broken lines defining the periphery thereof.

1 Claim, 4 Drawing Sheets





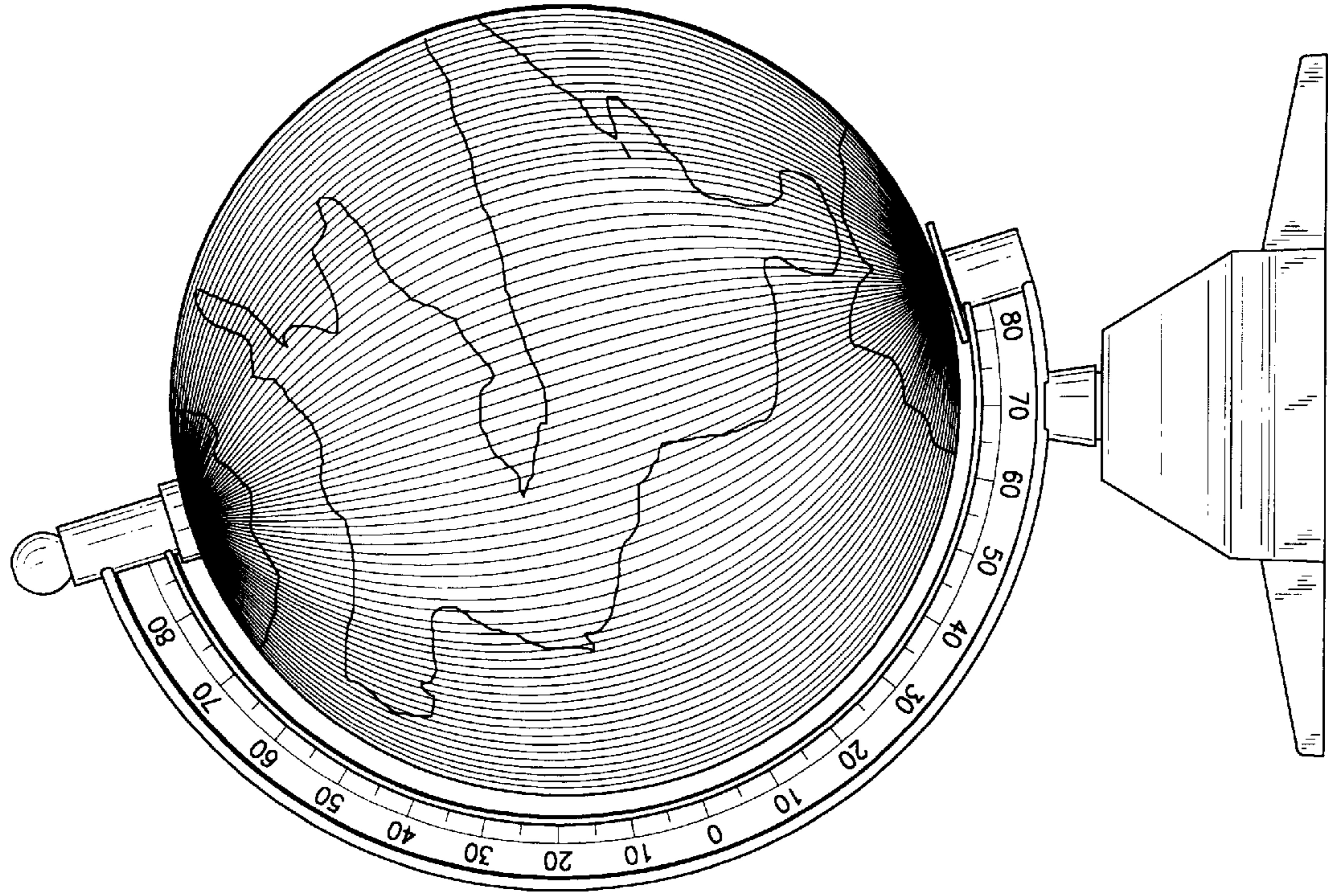


FIG. 3

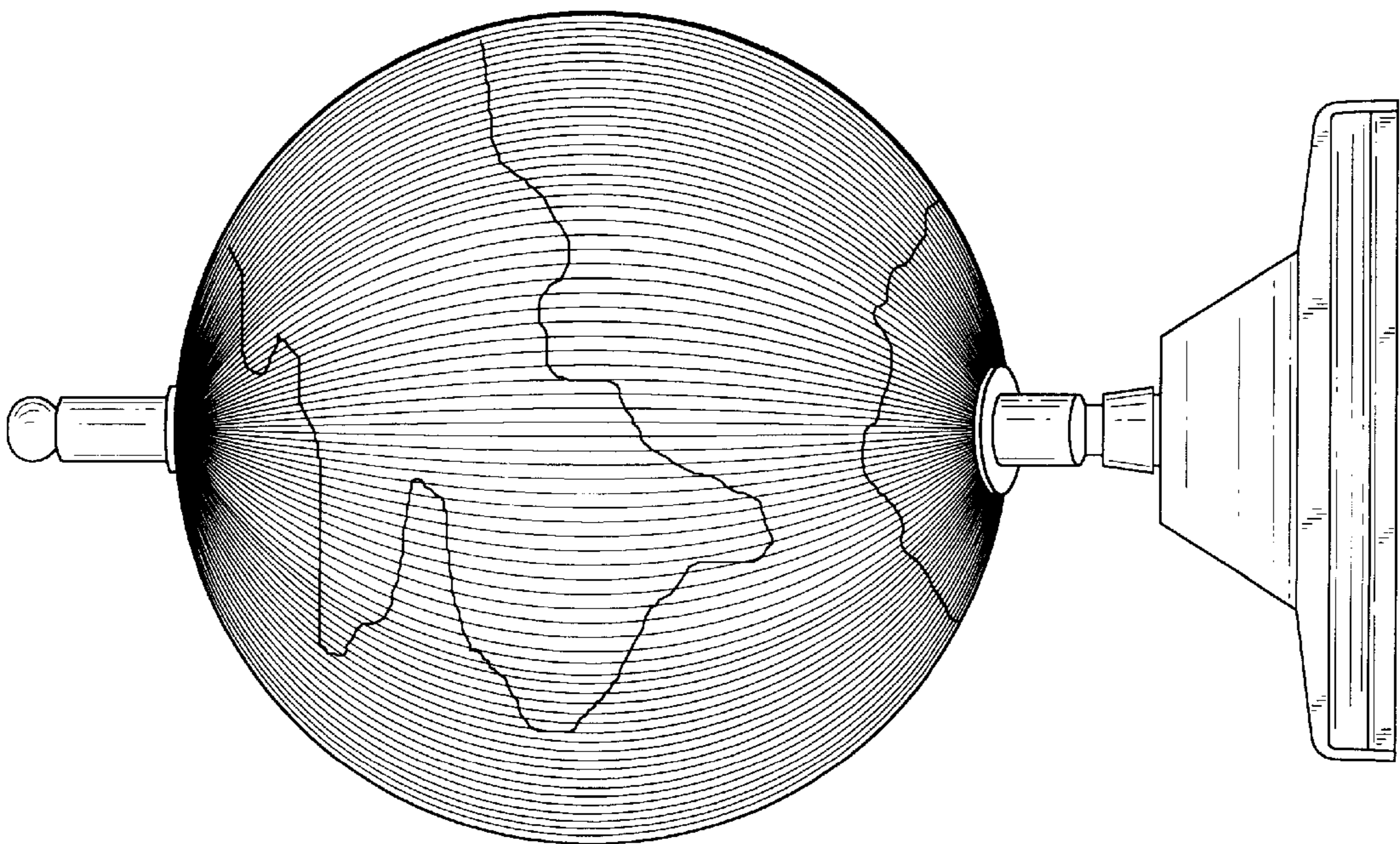


FIG. 2

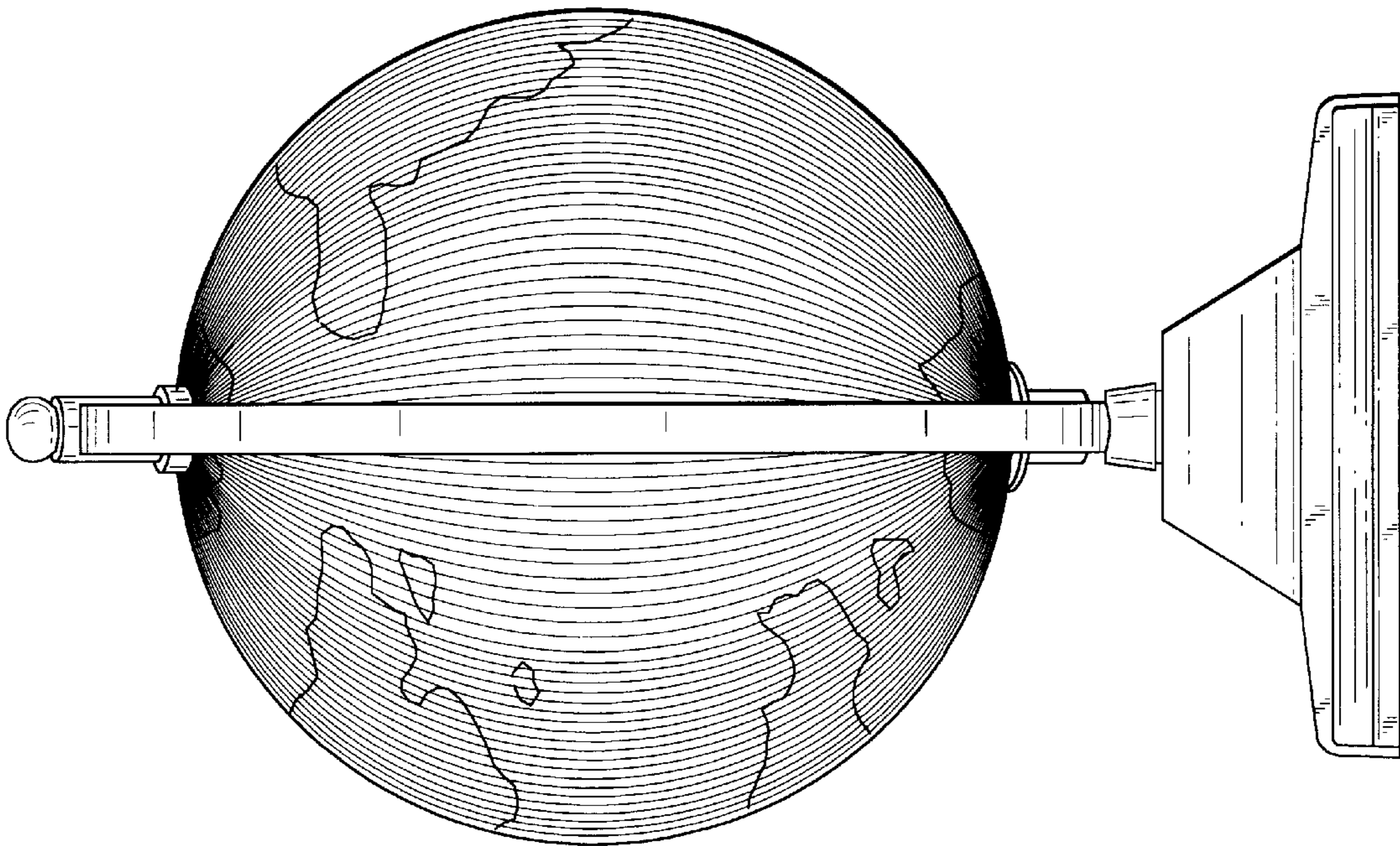


FIG. 4

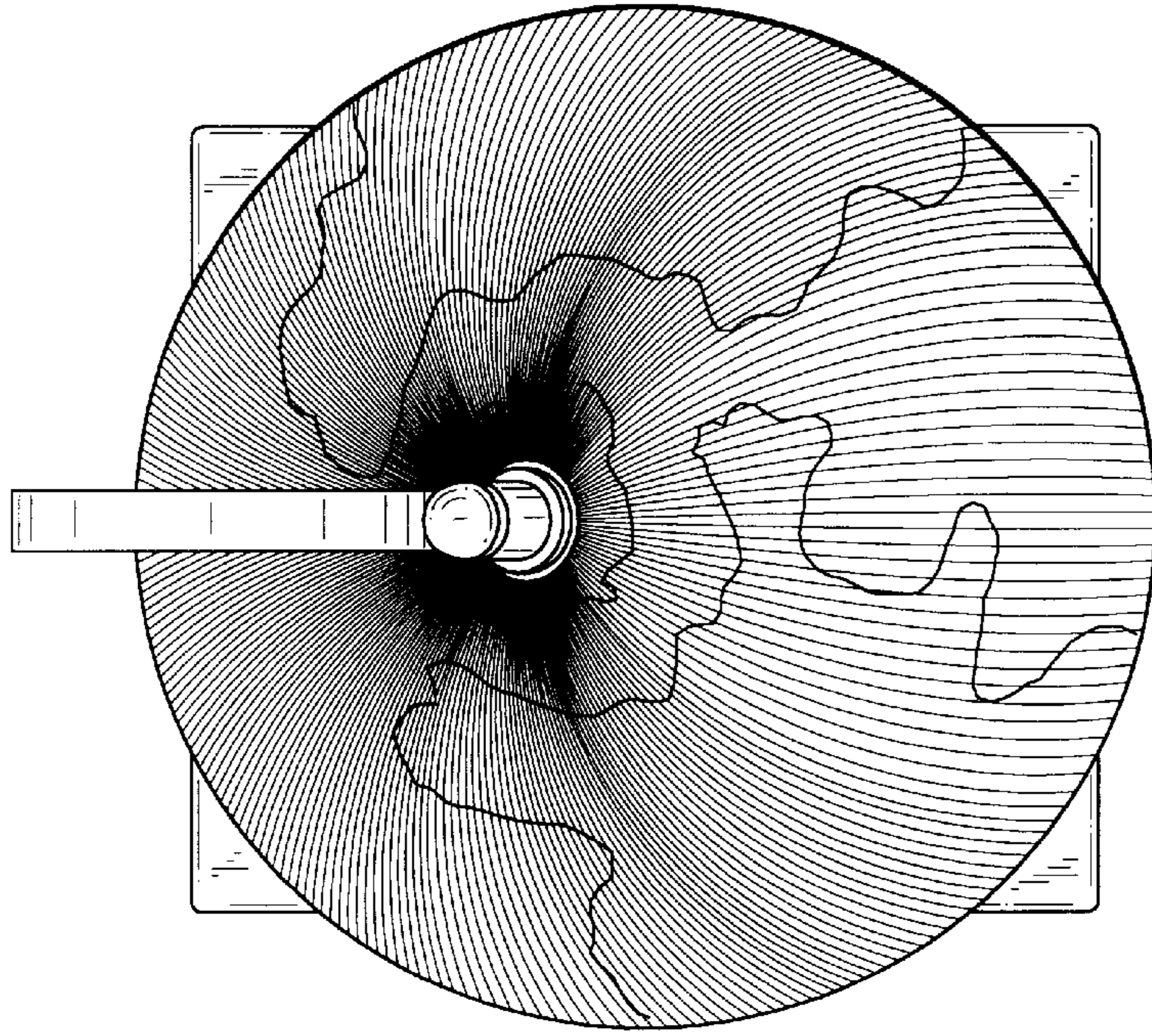


FIG. 5

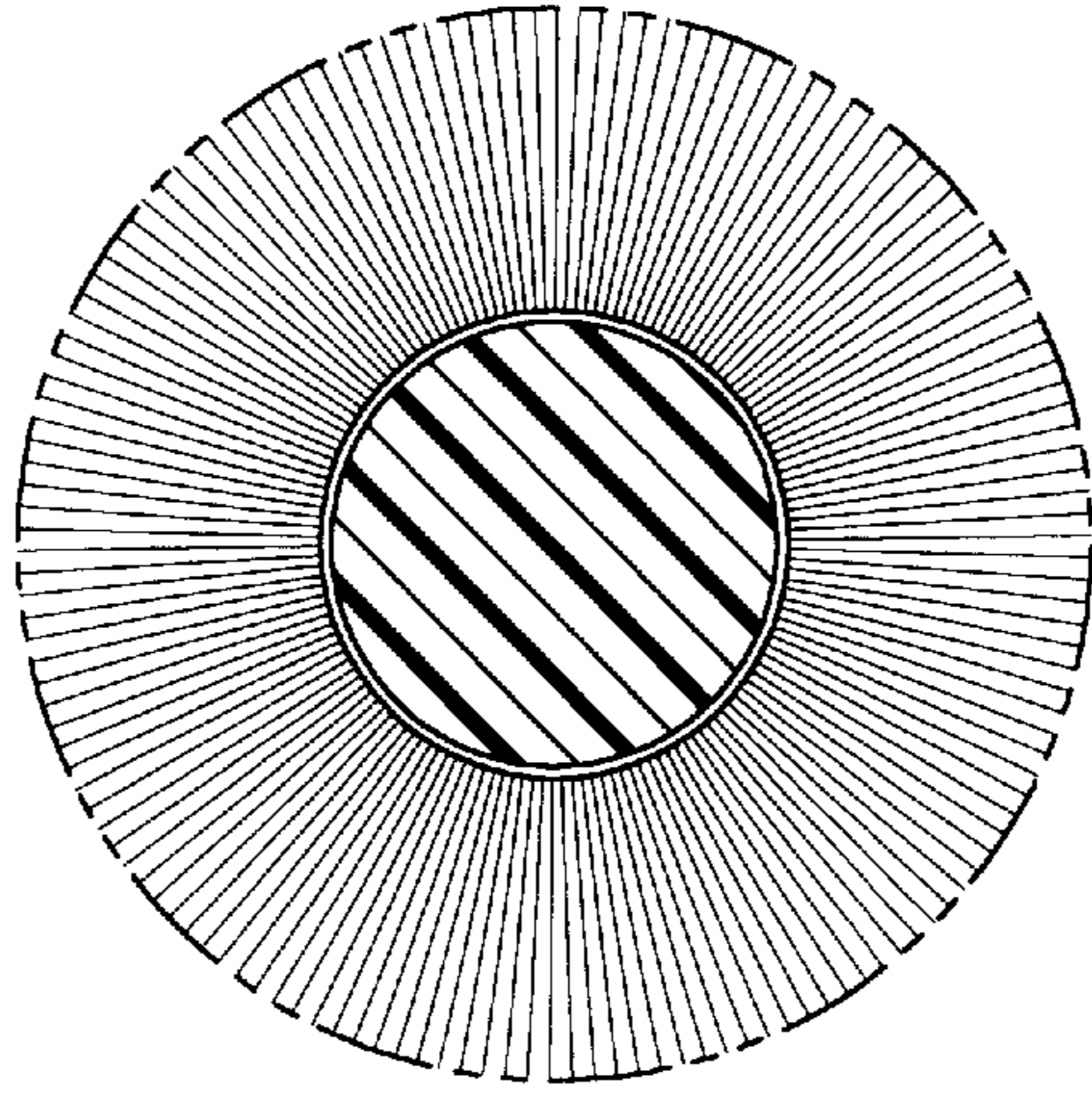


FIG. 8

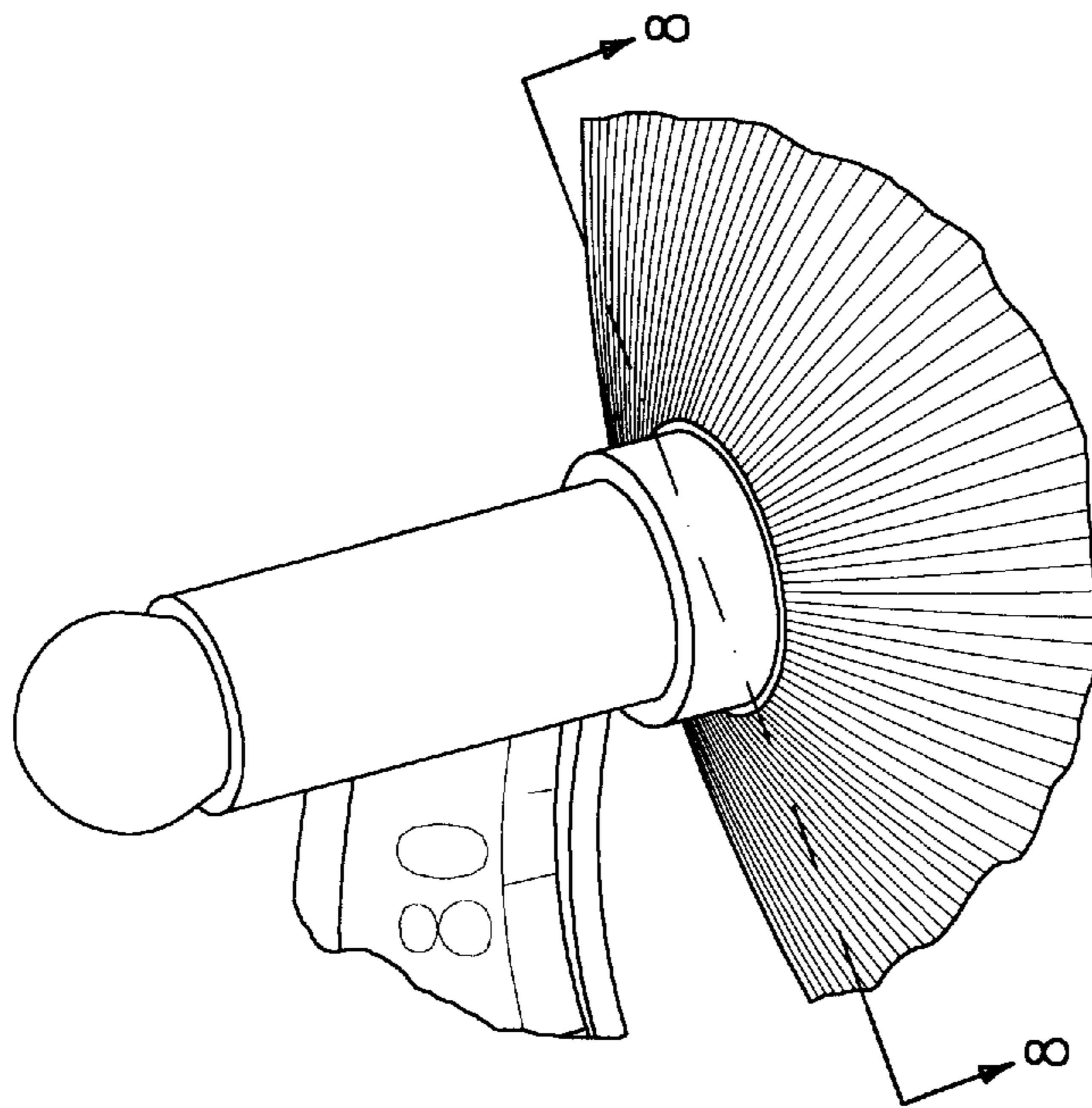


FIG. 7