



US00D407740S

United States Patent [19]

Ina et al.

[11] **Patent Number:** **Des. 407,740**

[45] **Date of Patent:** ****Apr. 6, 1999**

[54] **PRINTER**

[75] Inventors: **Takao Ina; Aya Ohkawa; Takeharu Omata**, all of Tokyo, Japan

[73] Assignee: **Fuji Photo Film Co., Ltd.**, Kanagawa, Japan

[**] Term: **14 Years**

[21] Appl. No.: **84,432**

[22] Filed: **Mar. 3, 1998**

[30] Foreign Application Priority Data

Sep. 3, 1997 [JP] Japan 9-66691

[51] **LOC (6) Cl.** **18-02**

[52] **U.S. Cl.** **D18/53; D18/50**

[58] **Field of Search** D18/50, 53, 54, D18/56, 39, 55; 346/136, 145; 395/103; D10/63

[56] References Cited

U.S. PATENT DOCUMENTS

D. 332,623 1/1993 Iwanaga D18/53

D. 340,066	10/1993	Iwagana	D18/53
D. 342,907	1/1994	Kamatsuda	D10/63
D. 347,239	5/1994	Okamoto et al.	D18/53
4,734,716	3/1988	Silverberg et al.	346/136
4,996,651	2/1991	Wells	395/103

Primary Examiner—Louis S. Zarfes
Assistant Examiner—G. Andoll
Attorney, Agent, or Firm—Young & Thompson

[57] CLAIM

The ornamental design for a printer, as shown and described.

DESCRIPTION

FIG. 1 is a top, front and side perspective view of a printer showing our new design;
FIG. 2 is a front elevational view thereof;
FIG. 3 is a rear elevational view thereof;
FIG. 4 is a top plan view thereof;
FIG. 5 is a bottom plan view thereof;
FIG. 6 is a side elevational view thereof from the right of FIG. 2; and,
FIG. 7 is a side elevational view thereof from the left of FIG. 2.

1 Claim, 6 Drawing Sheets

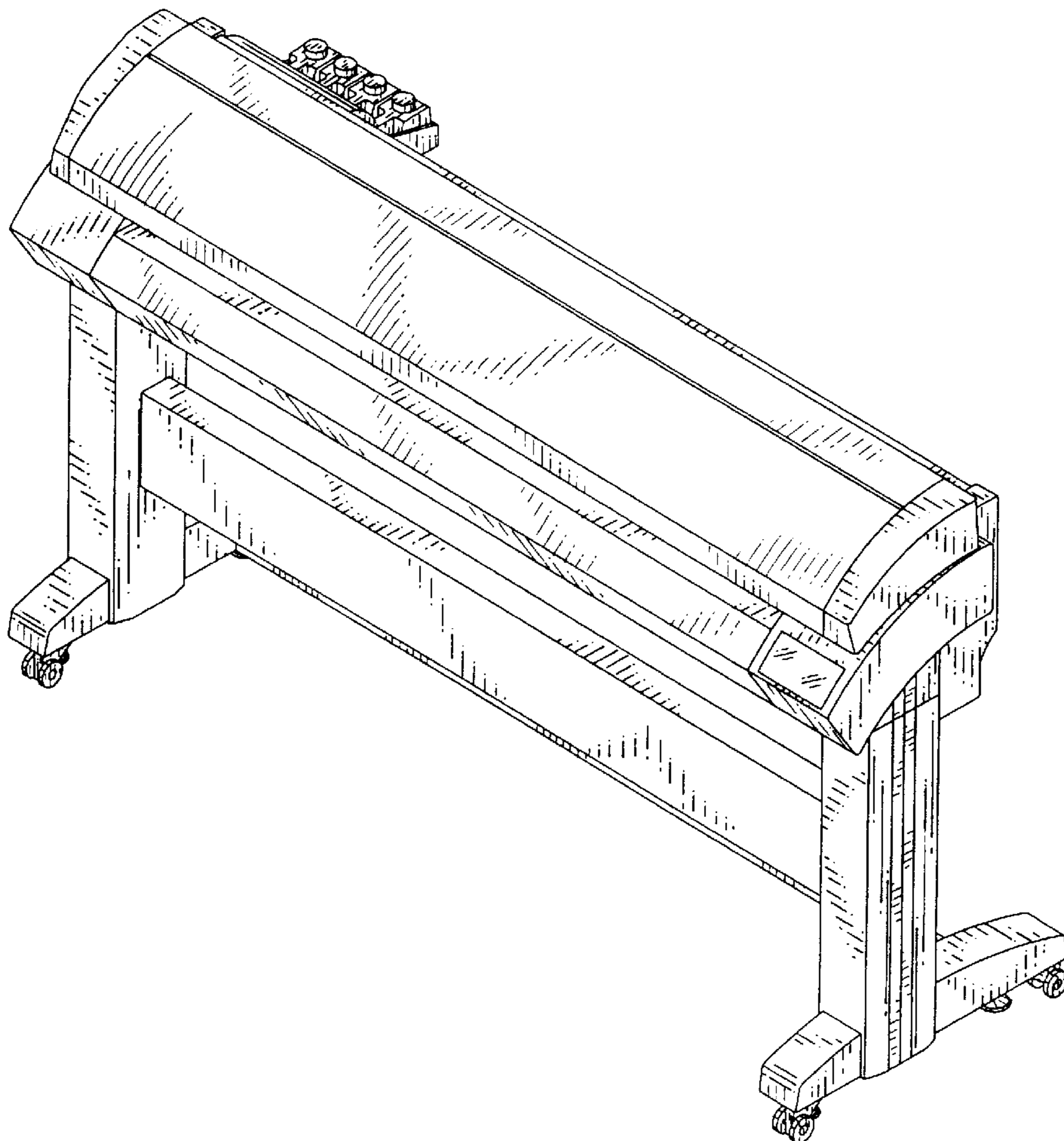


FIG. 1

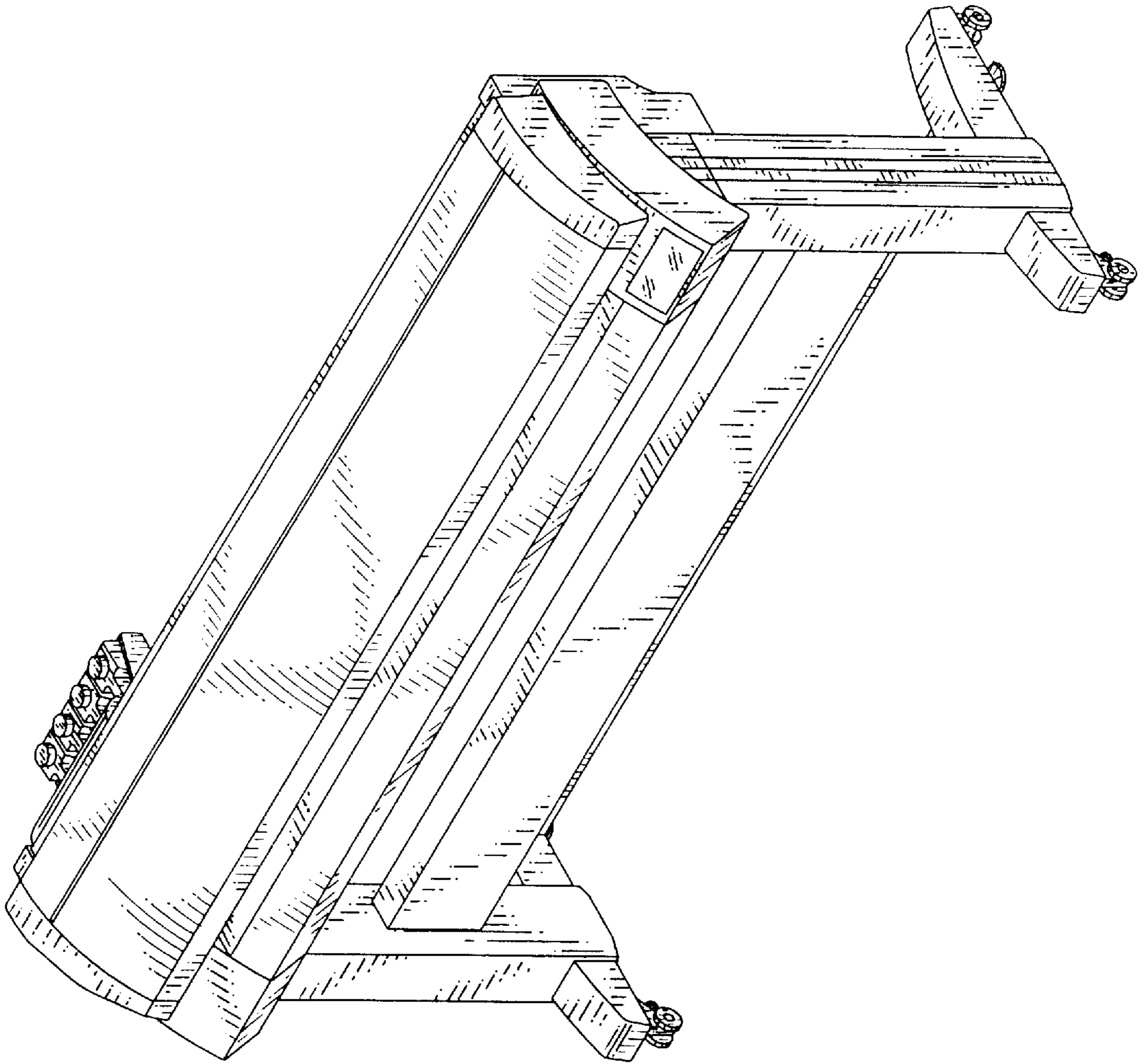


FIG. 2

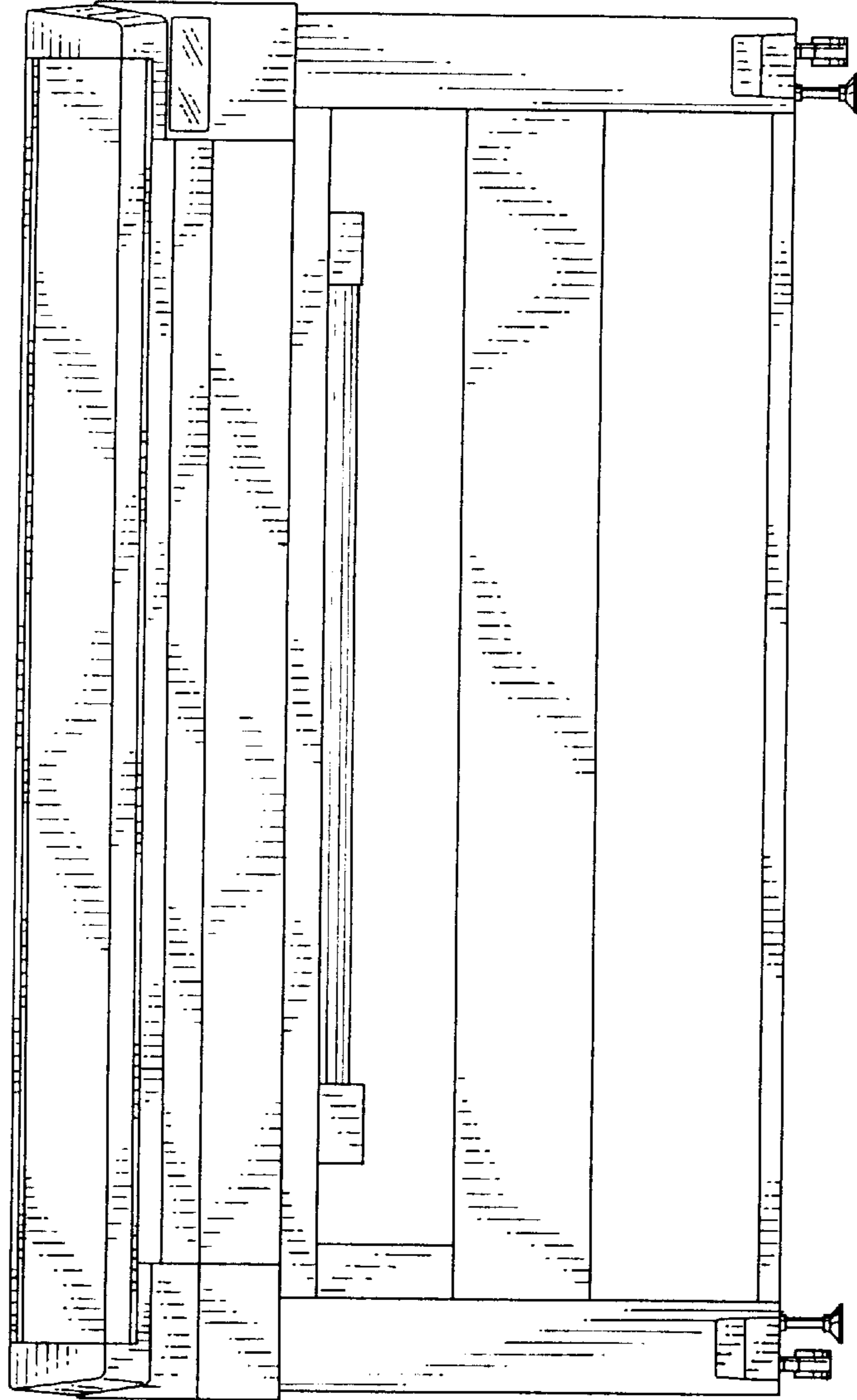


FIG. 3

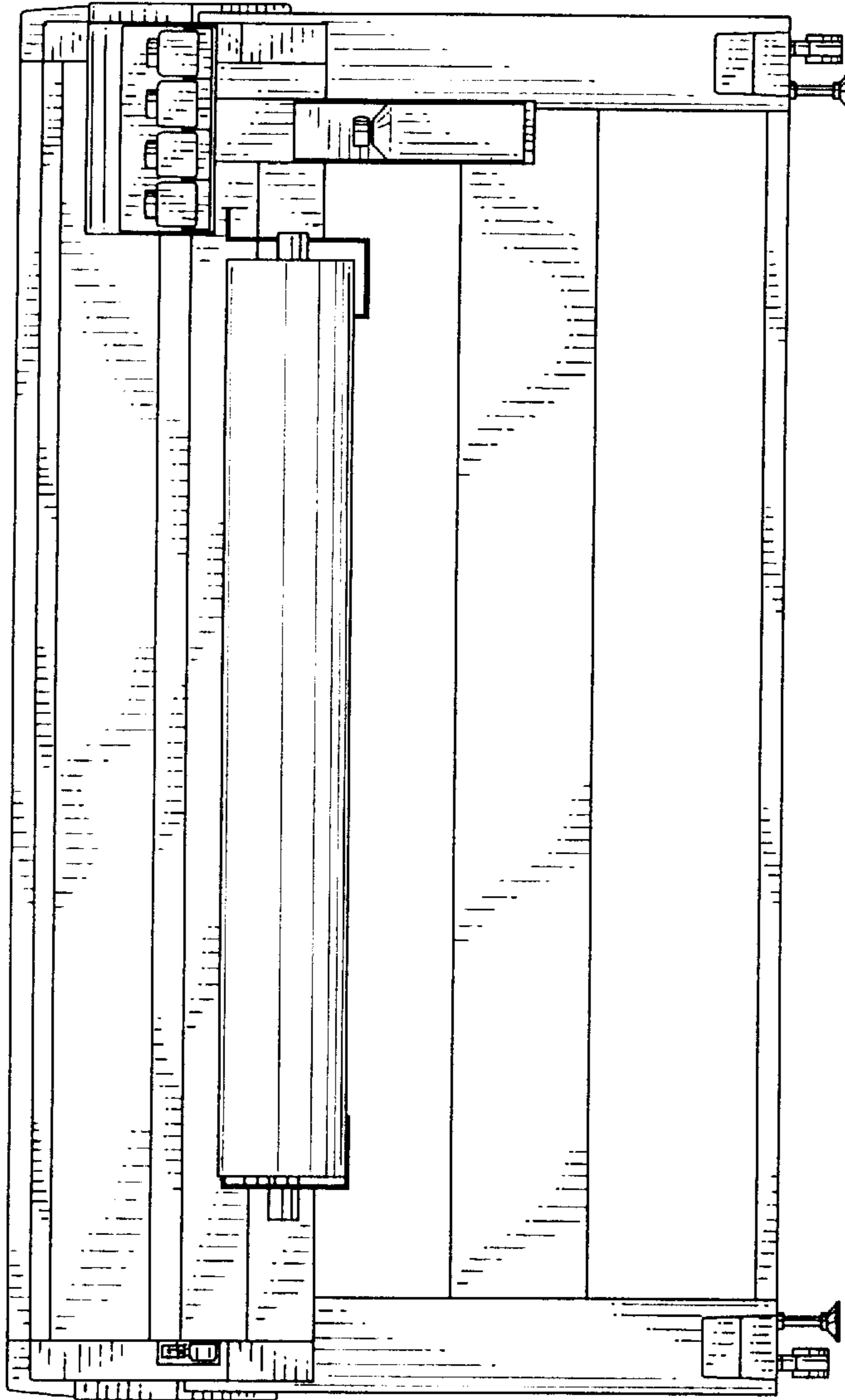


FIG. 4

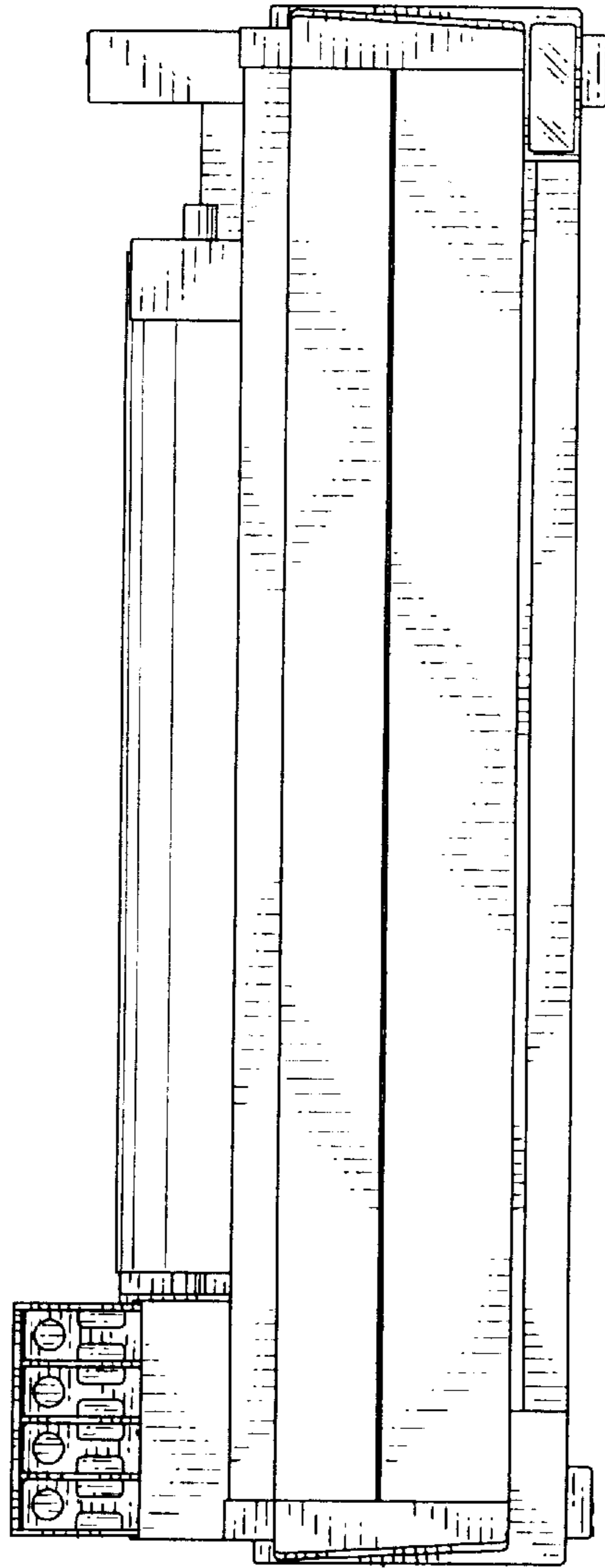


FIG. 5

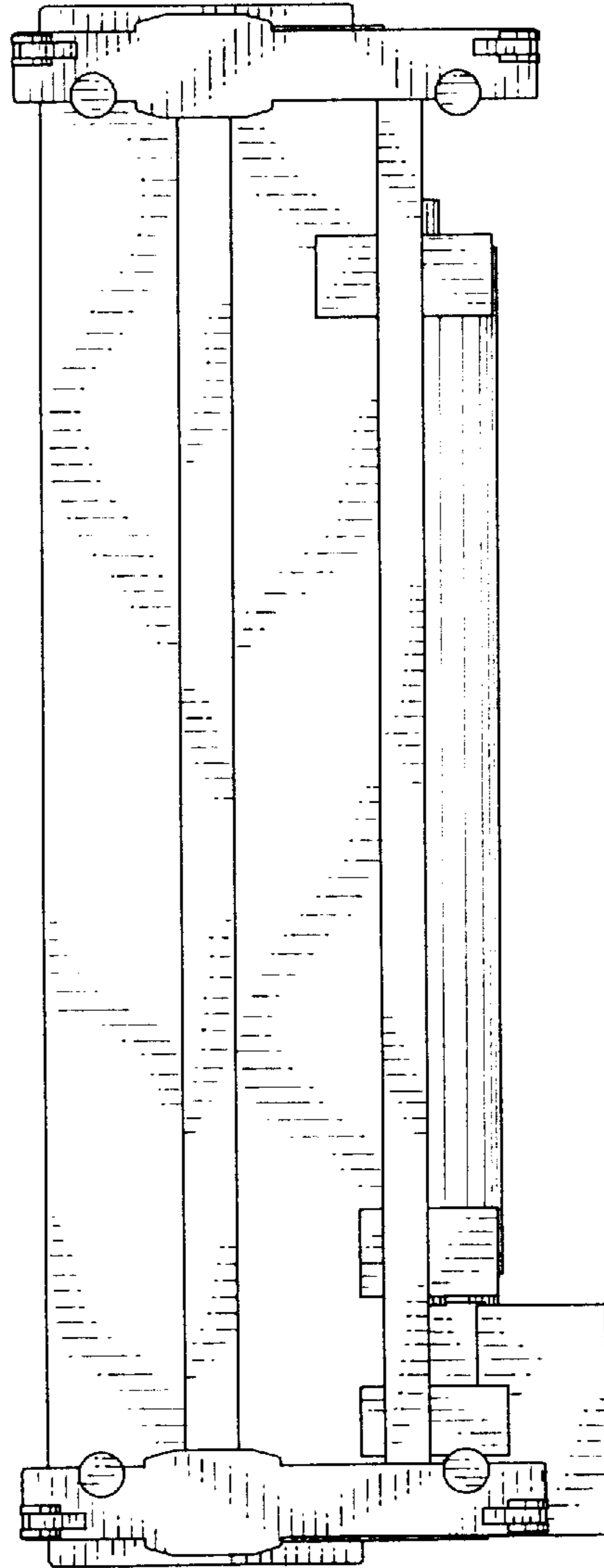


FIG. 6

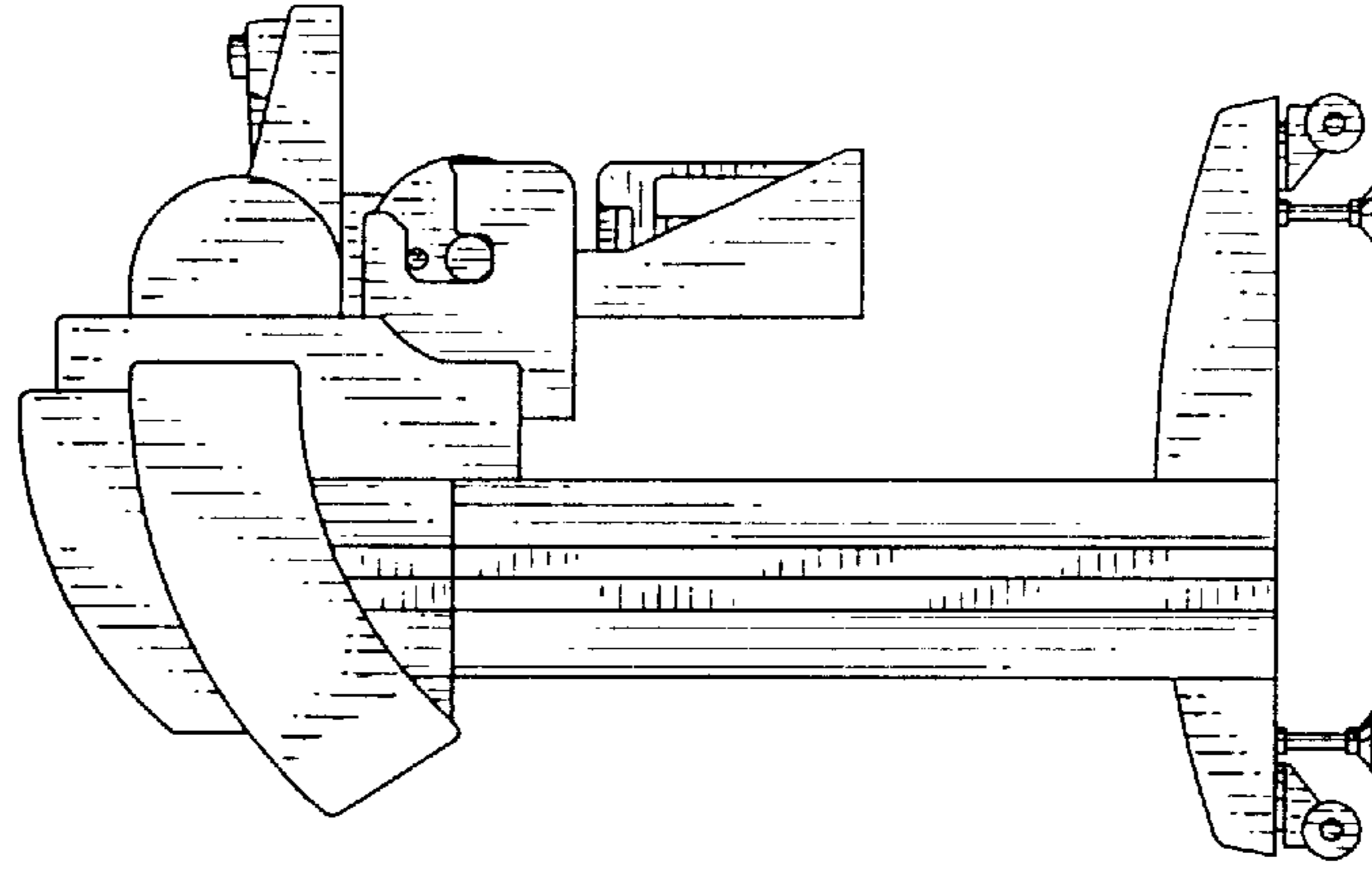


FIG. 7

