



US00D407737S

United States Patent [19]
Hewitt

[11] **Patent Number: Des. 407,737**

[45] **Date of Patent: **Apr. 6, 1999**

[54] **EYE WEAR**

[75] Inventor: **Jack Hewitt**, Ormond Beach, Fla.

[73] Assignee: **Capa, Incorporated**, Ormond Beach, Fla.

[**] Term: **14 Years**

[21] Appl. No.: **54,176**

[22] Filed: **May 22, 1996**

Related U.S. Application Data

[63] Continuation of Ser. No. 46,951, Nov. 22, 1995, abandoned.

[51] **LOC (6) Cl.** **16-06**

[52] **U.S. Cl.** **D16/327; D16/301; D16/337**

[58] **Field of Search** **D16/101, 300-330, D16/334-337, 339, 341; D29/109, 110; 351/41, 44, 51, 52, 121, 111, 123, 156-158; 2/436, 448, 449, 452**

[56] **References Cited**

U.S. PATENT DOCUMENTS

D. 176,309	12/1955	Clark	D16/321
D. 329,245	9/1992	Duvert	D16/324
D. 330,560	10/1992	Dweck	D16/315
D. 330,571	10/1992	Paysan	D16/321
D. 344,282	2/1994	Hirschman	D16/300
3,544,204	12/1970	Bienenfeld	2/448
5,146,623	9/1992	Paysan et al.	2/449

OTHER PUBLICATIONS

American Bicyclist & Motorcyclist, Mar. 1988, p. 39 "North Consumer Products" Glasses (Design Library) Striker Glasses.

Primary Examiner—Raphael Barkai
Attorney, Agent, or Firm—Hopgood, Calimafde, Kalil & Judlowe

[57] **CLAIM**

I claim the ornamental design for eye wear, as shown and described.

DESCRIPTION

FIG. 1 is a perspective view of eye wear showing my new design;

FIG. 2 is a front view of the eye wear of FIG. 1;

FIG. 3 is a right side elevational view of the eye wear of FIG. 1, the side opposite being a mirror image;

FIG. 4 is a top plan view of the eye wear of FIG. 1 with one temple shown separately for clarity of illustration;

FIG. 5 is a rear view of the eye wear of FIG. 1;

FIG. 6 is a bottom plan view of the eye wear of FIG. 1;

FIG. 7 is a perspective view of a modified embodiment of the design shown in FIGS. 1-6 with non-transparent lenses;

FIG. 8 is a front view of the eye wear of FIG. 7;

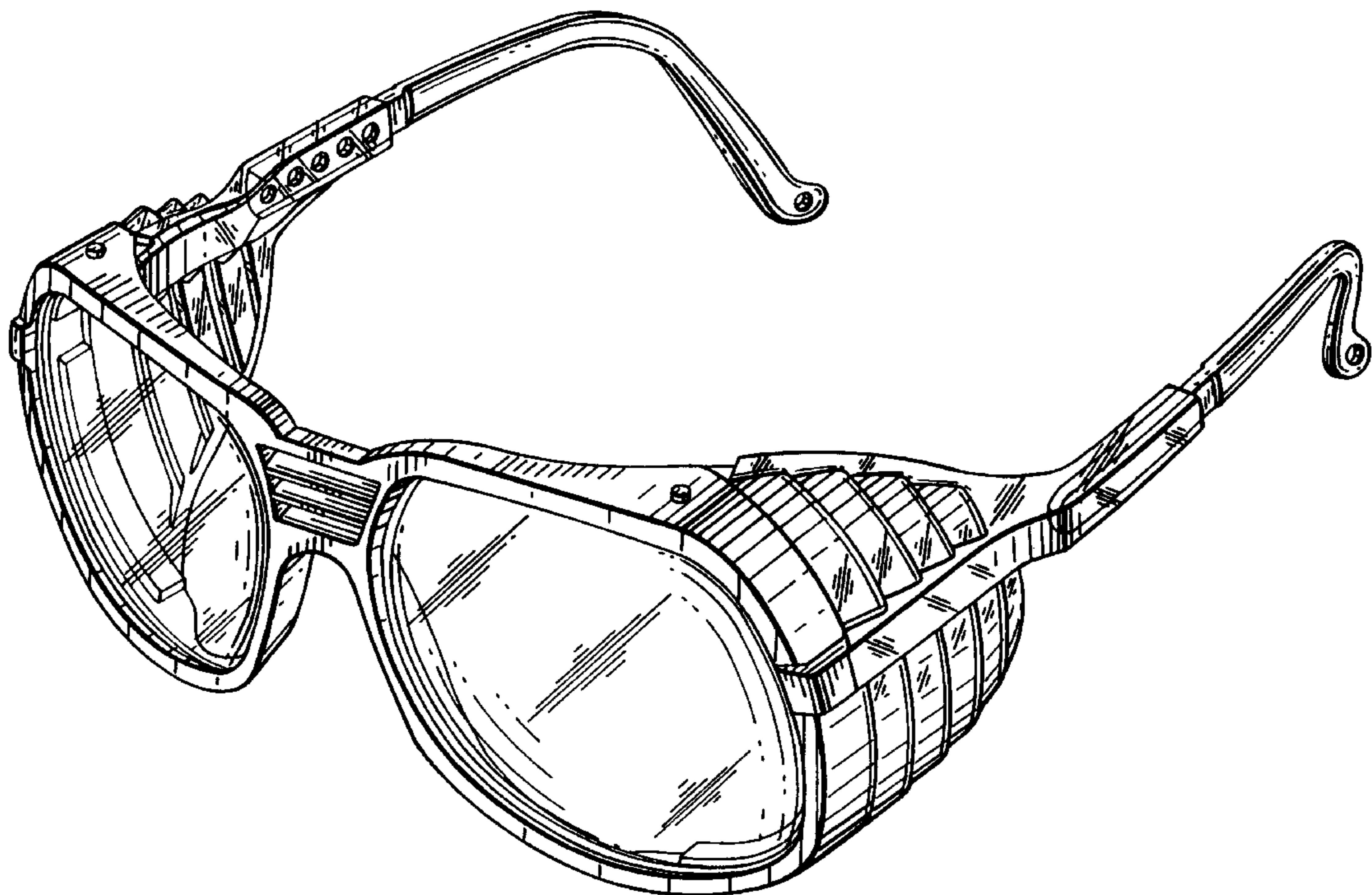
FIG. 9 is a right side elevational view of the eye wear of FIG. 7, the side opposite being a mirror image;

FIG. 10 is a top plan view of the eye wear of FIG. 7 with one temple shown separately for clarity of illustration;

FIG. 11 is a rear view of the eye wear of FIG. 7; and,

FIG. 12 is a bottom plan view of the eye wear of FIG. 7.

1 Claim, 8 Drawing Sheets



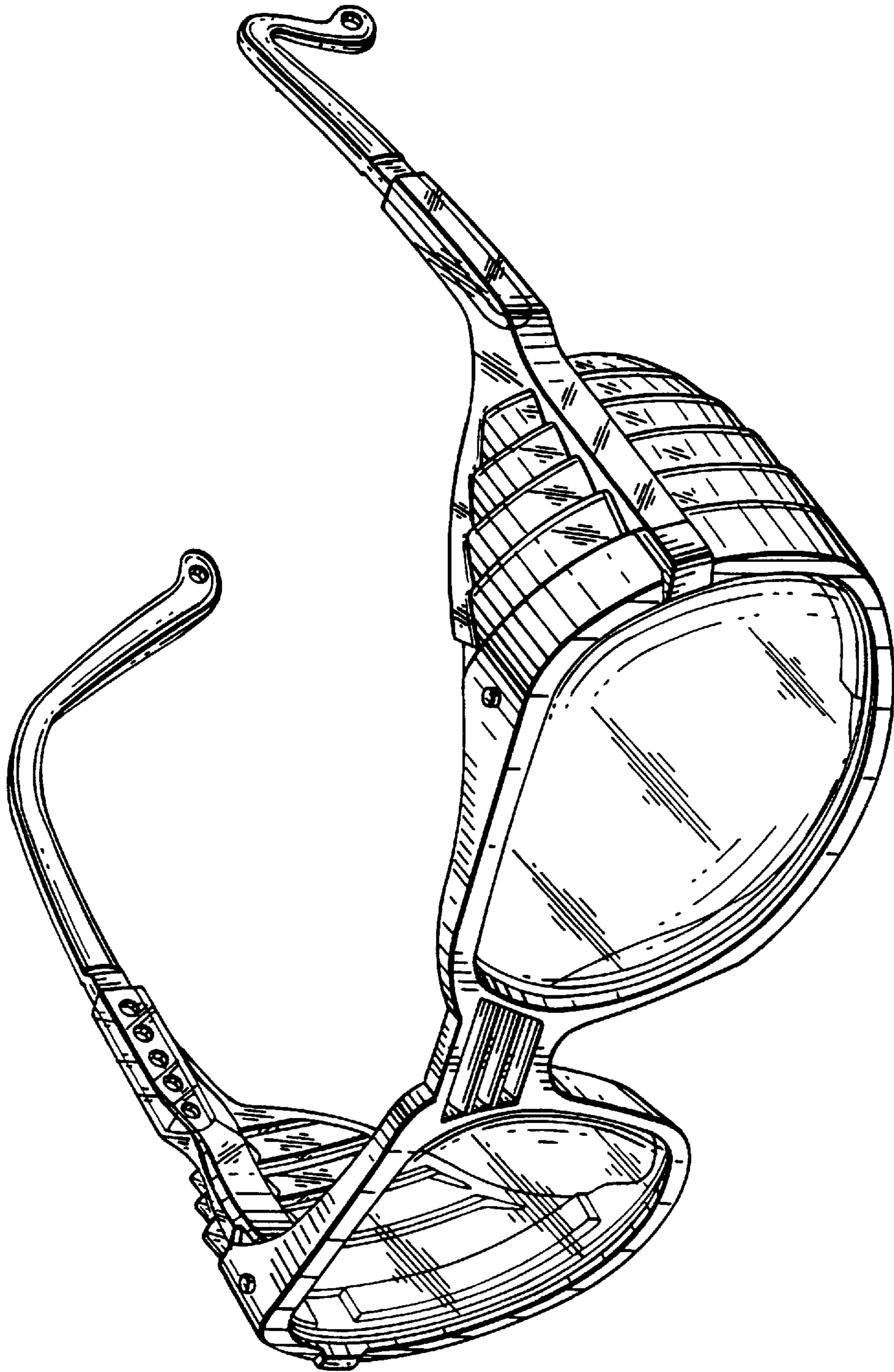


FIG. 1

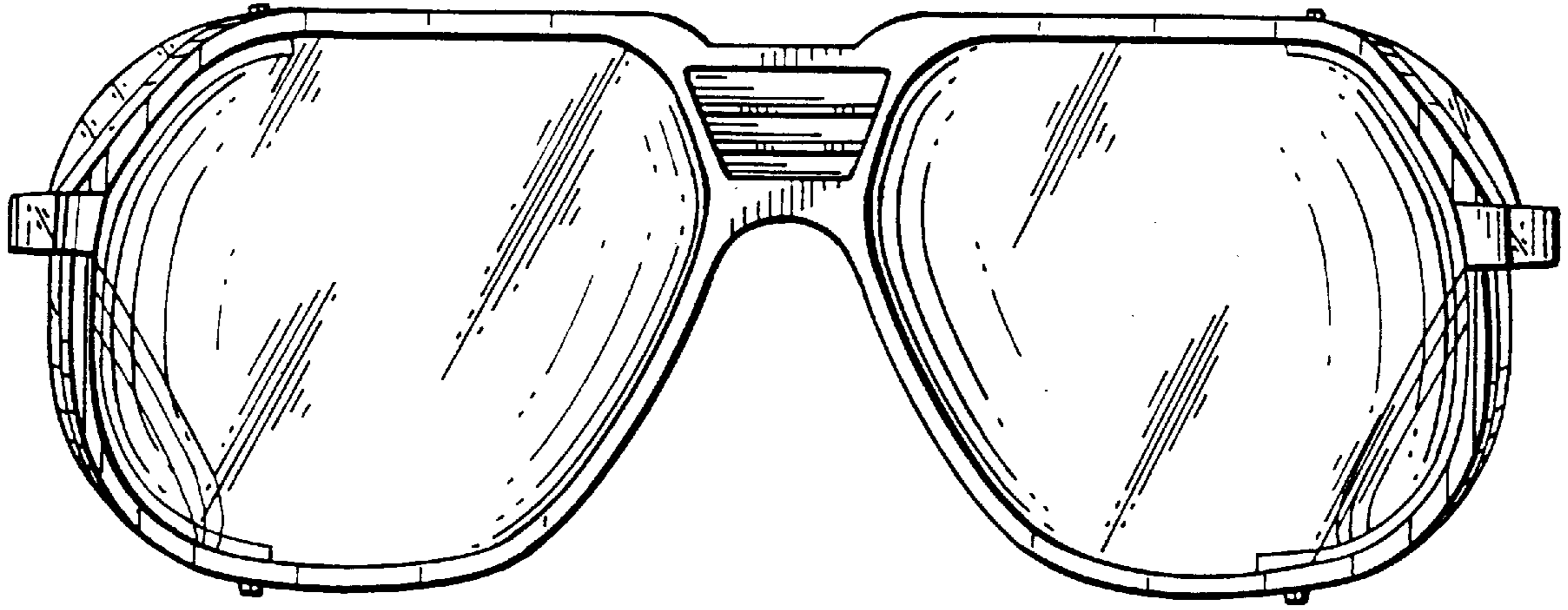


FIG. 2

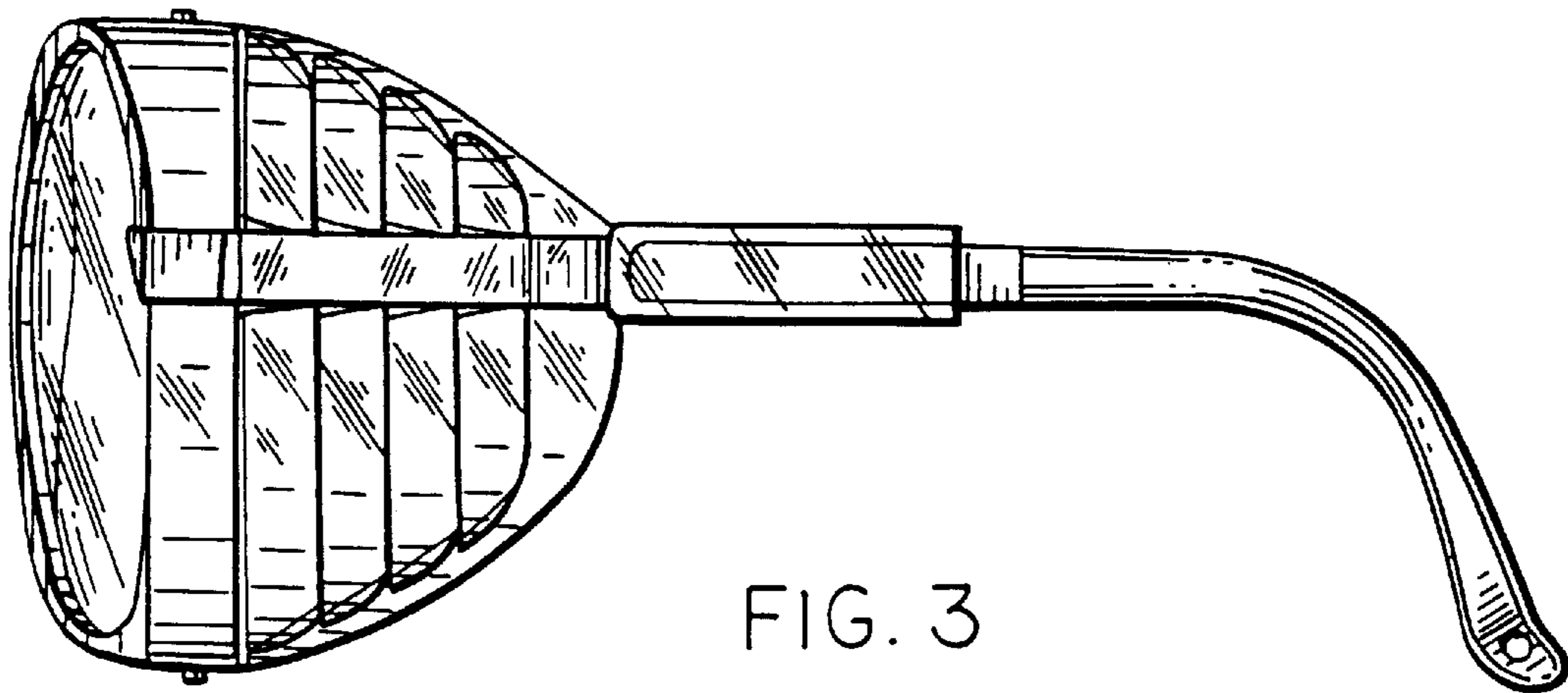


FIG. 3

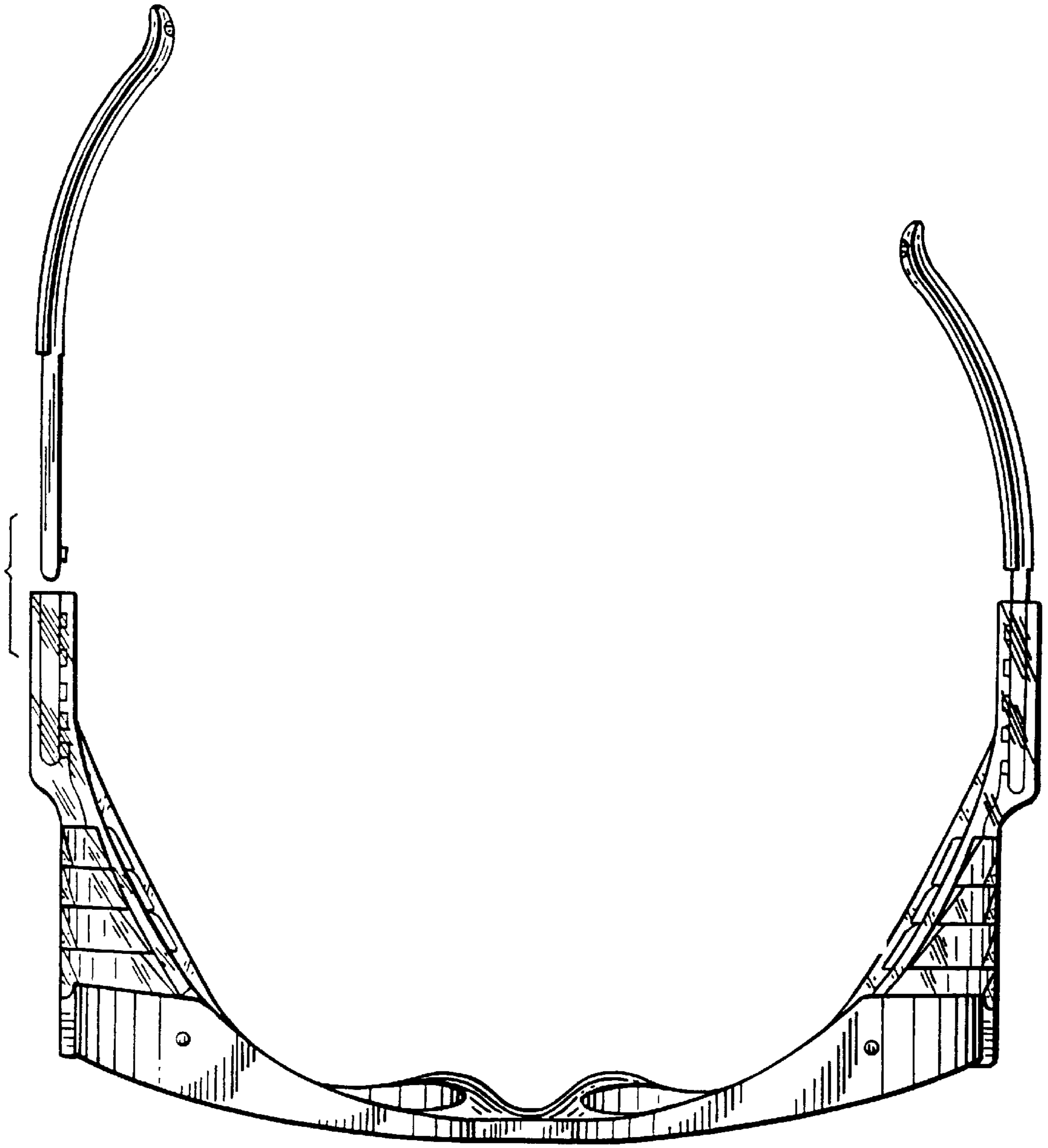


FIG. 4

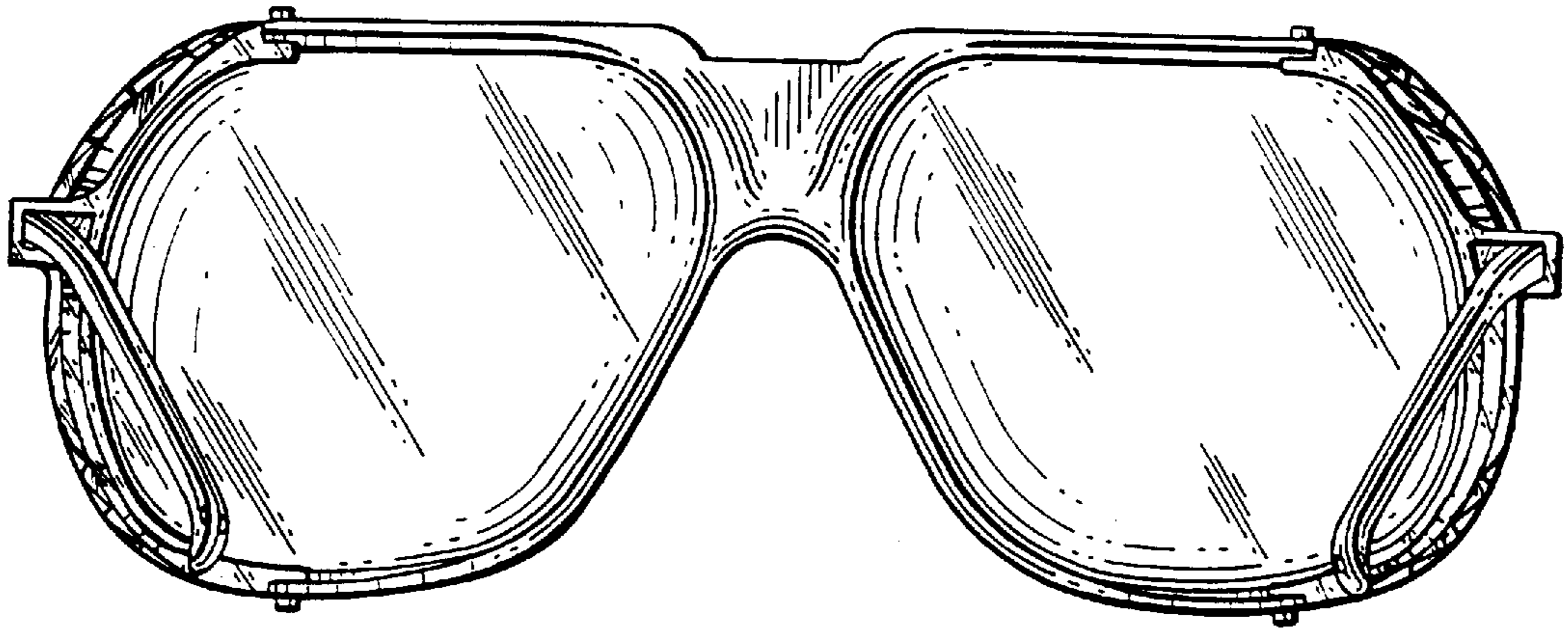


FIG. 5

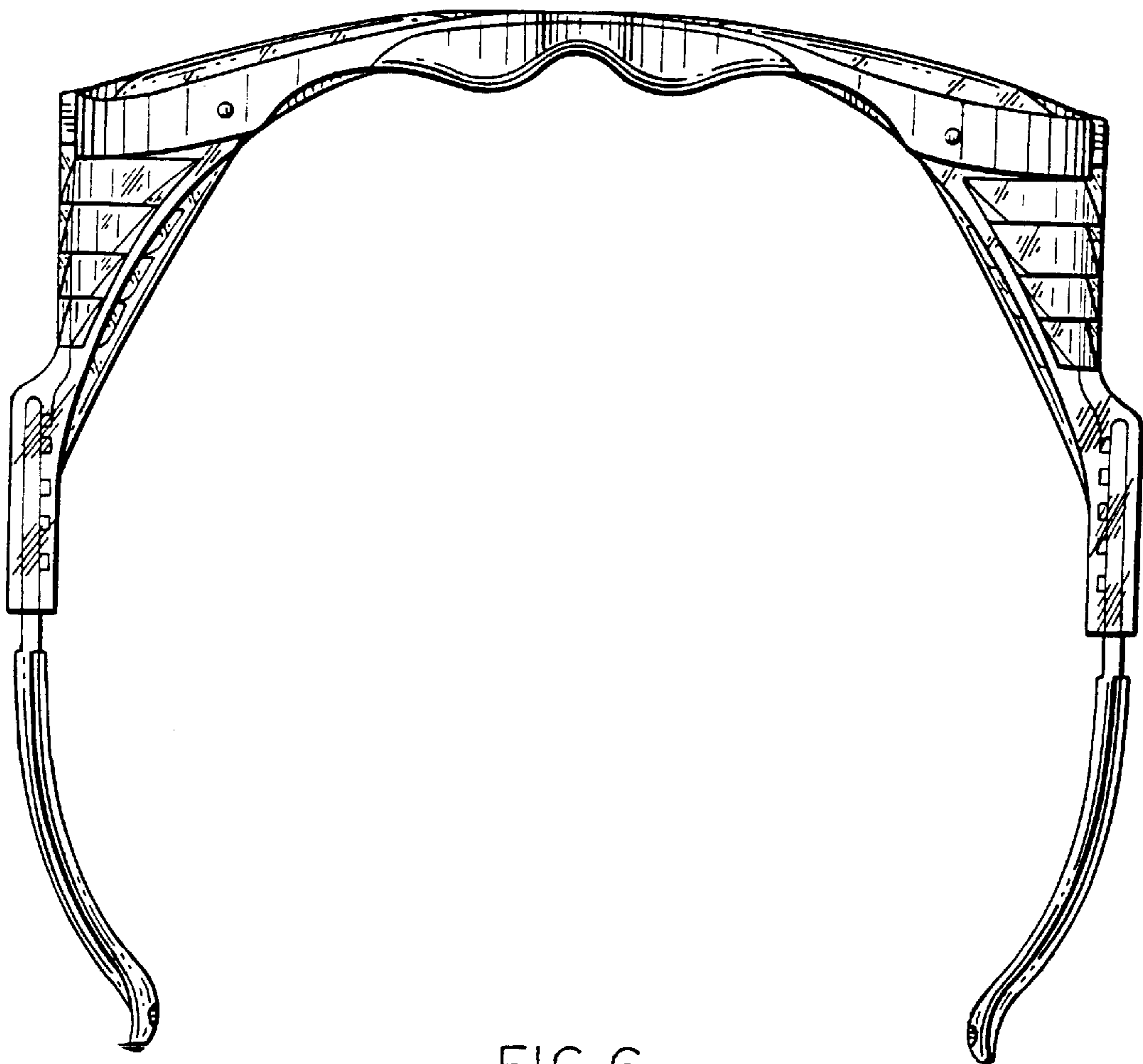


FIG. 6

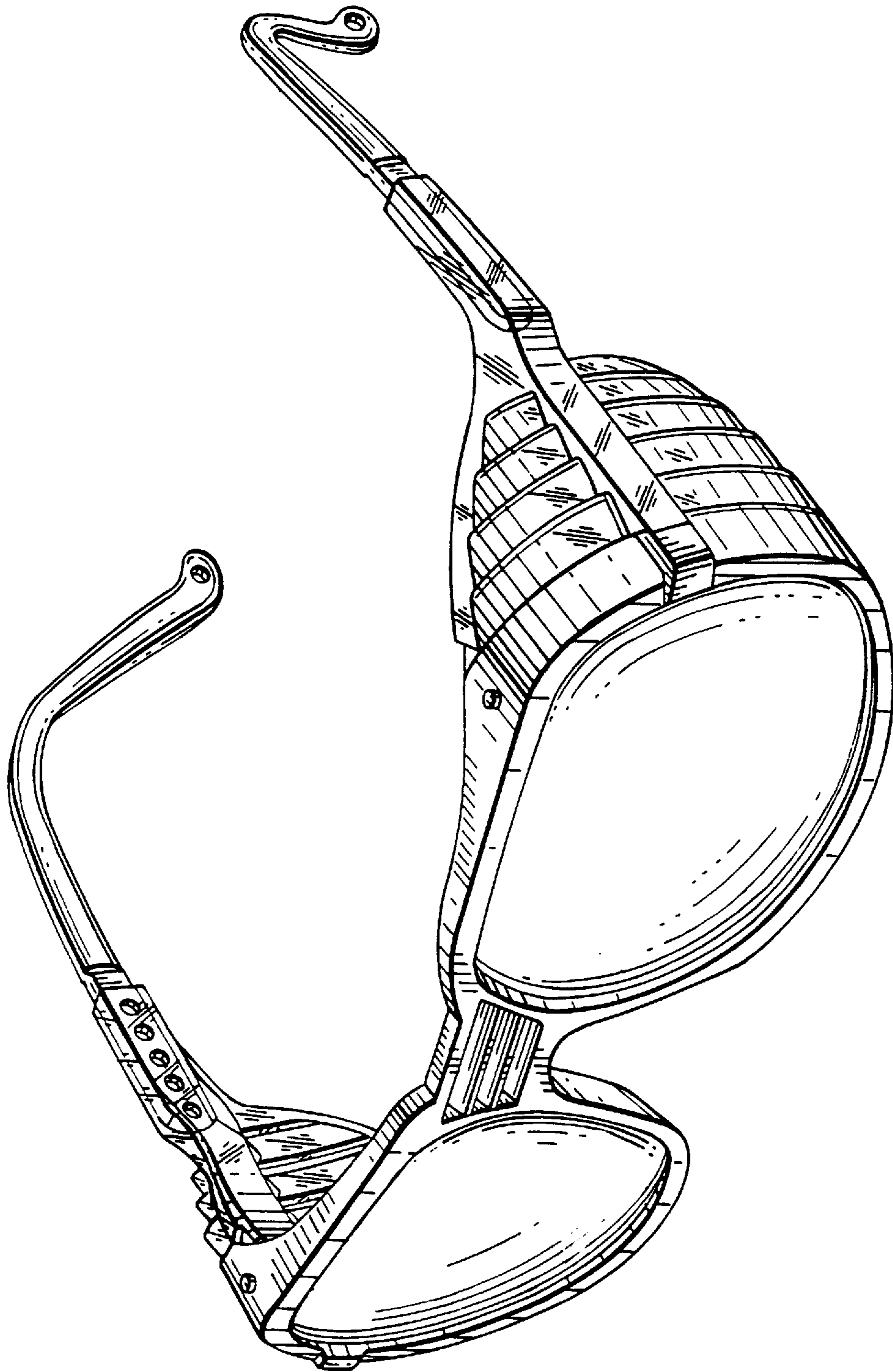


FIG. 7

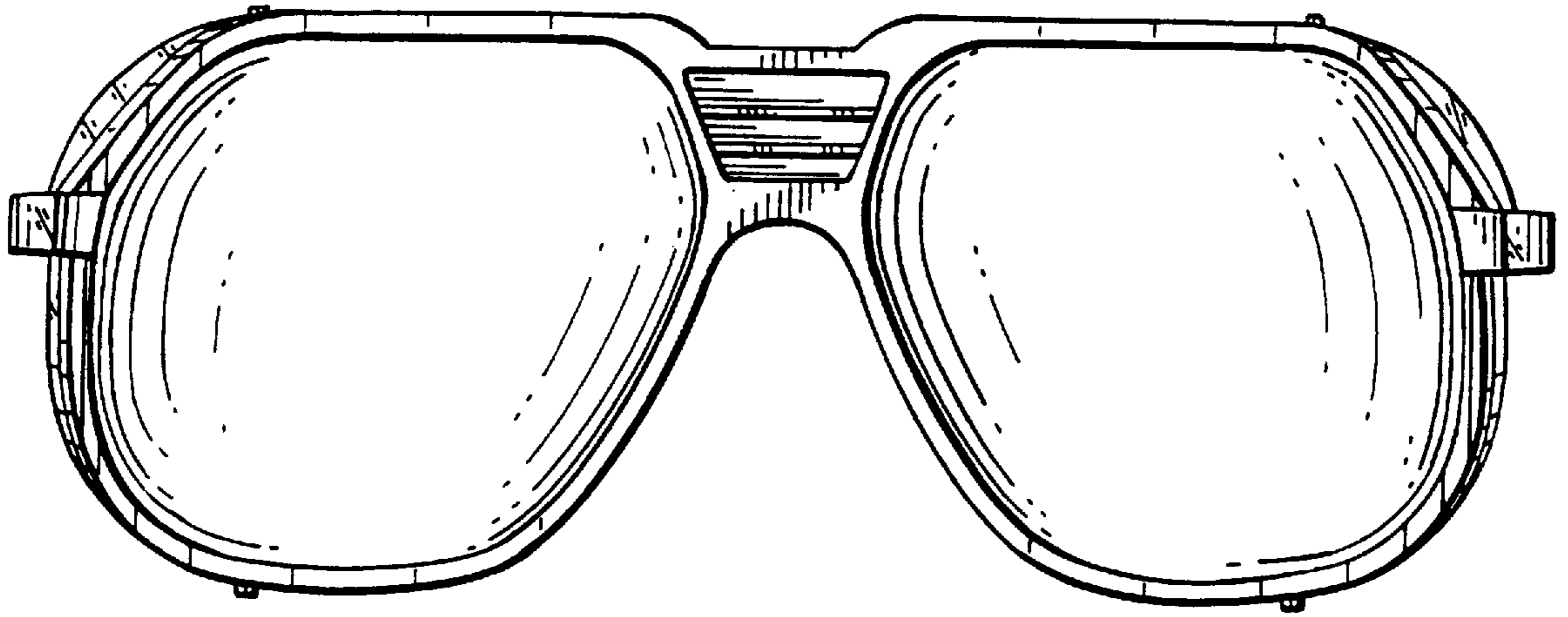


FIG. 8

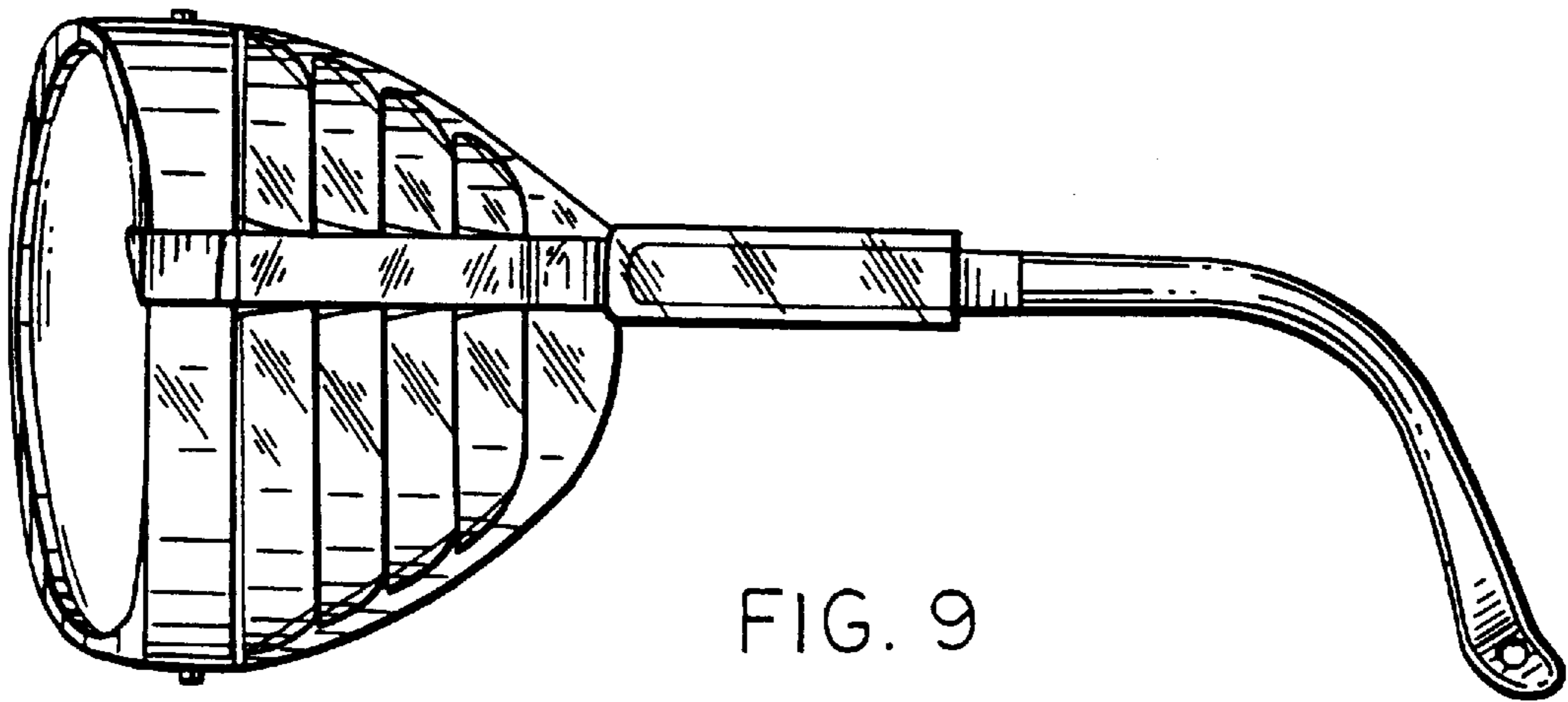


FIG. 9

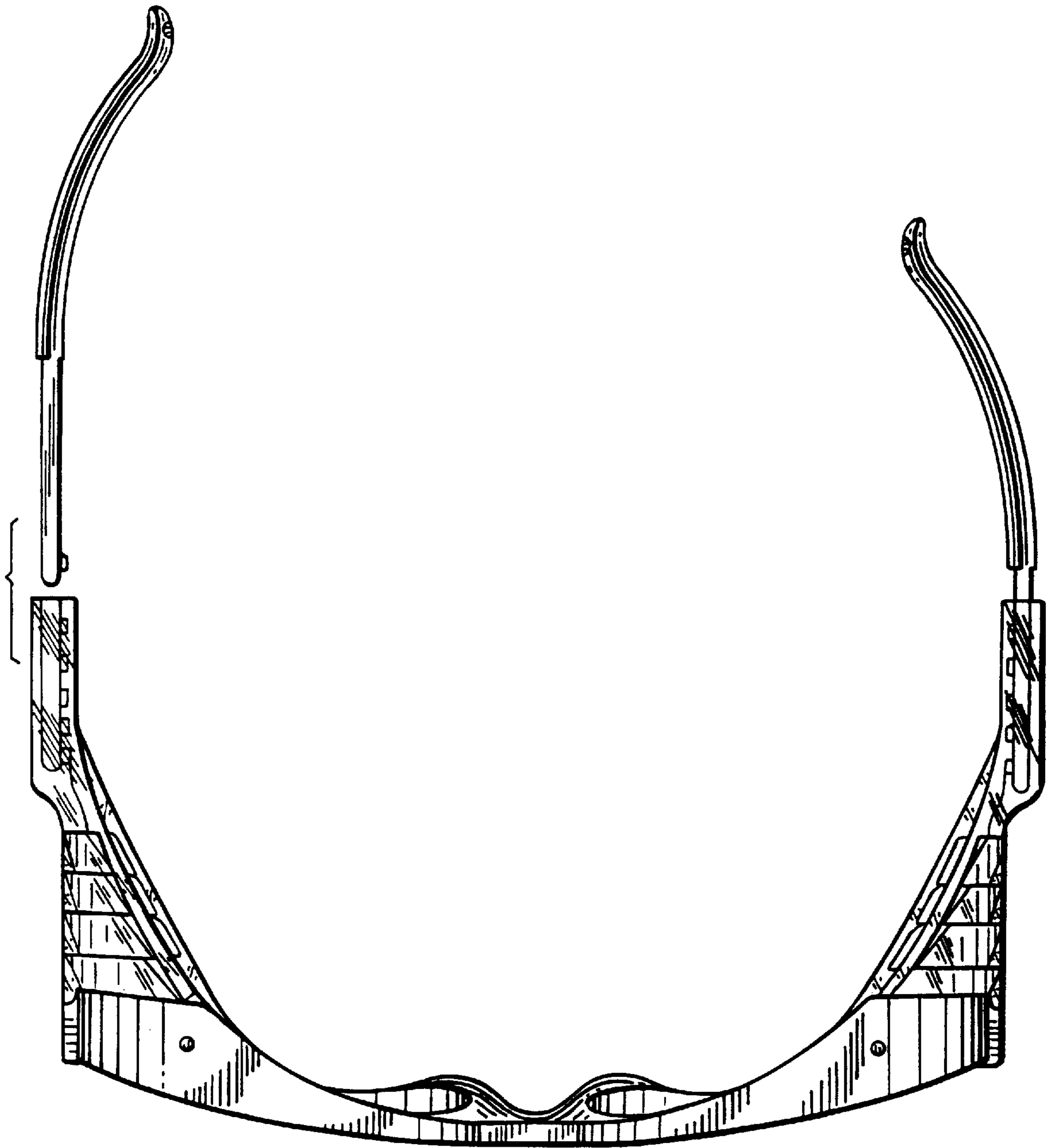


FIG. 10

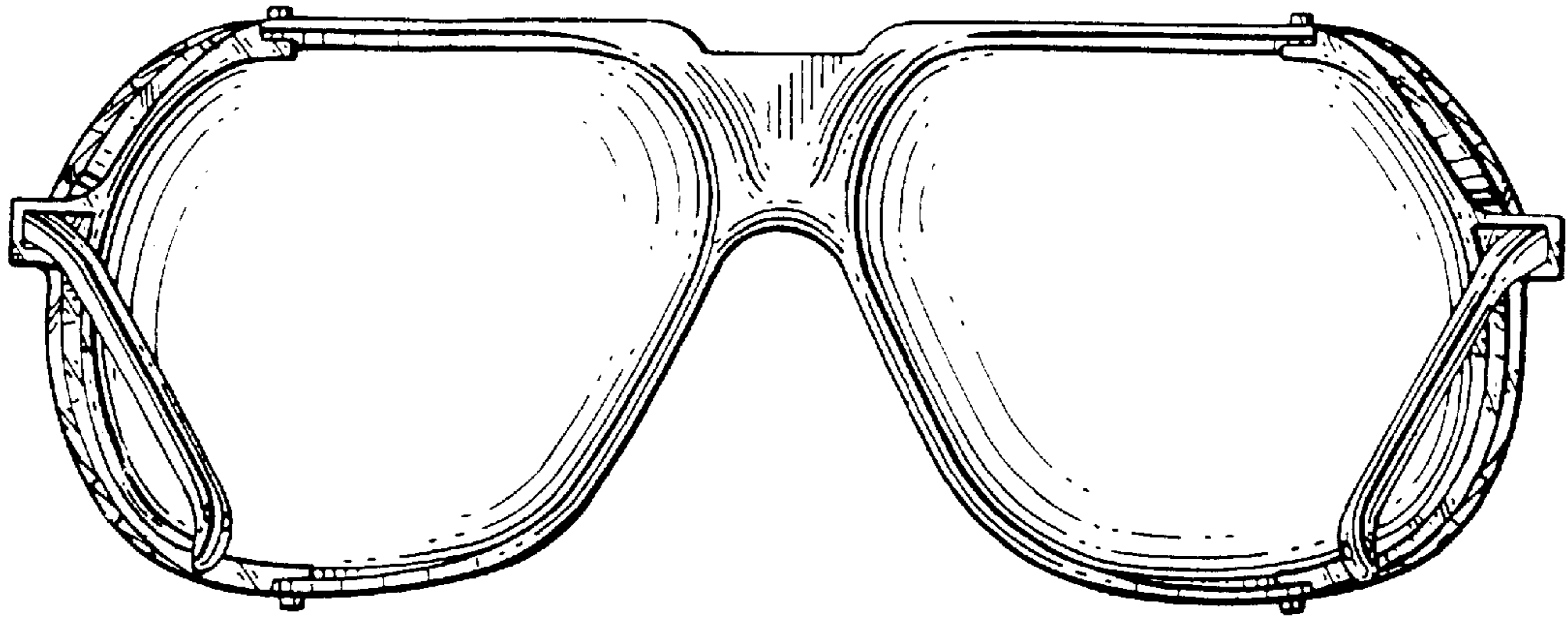


FIG. 11

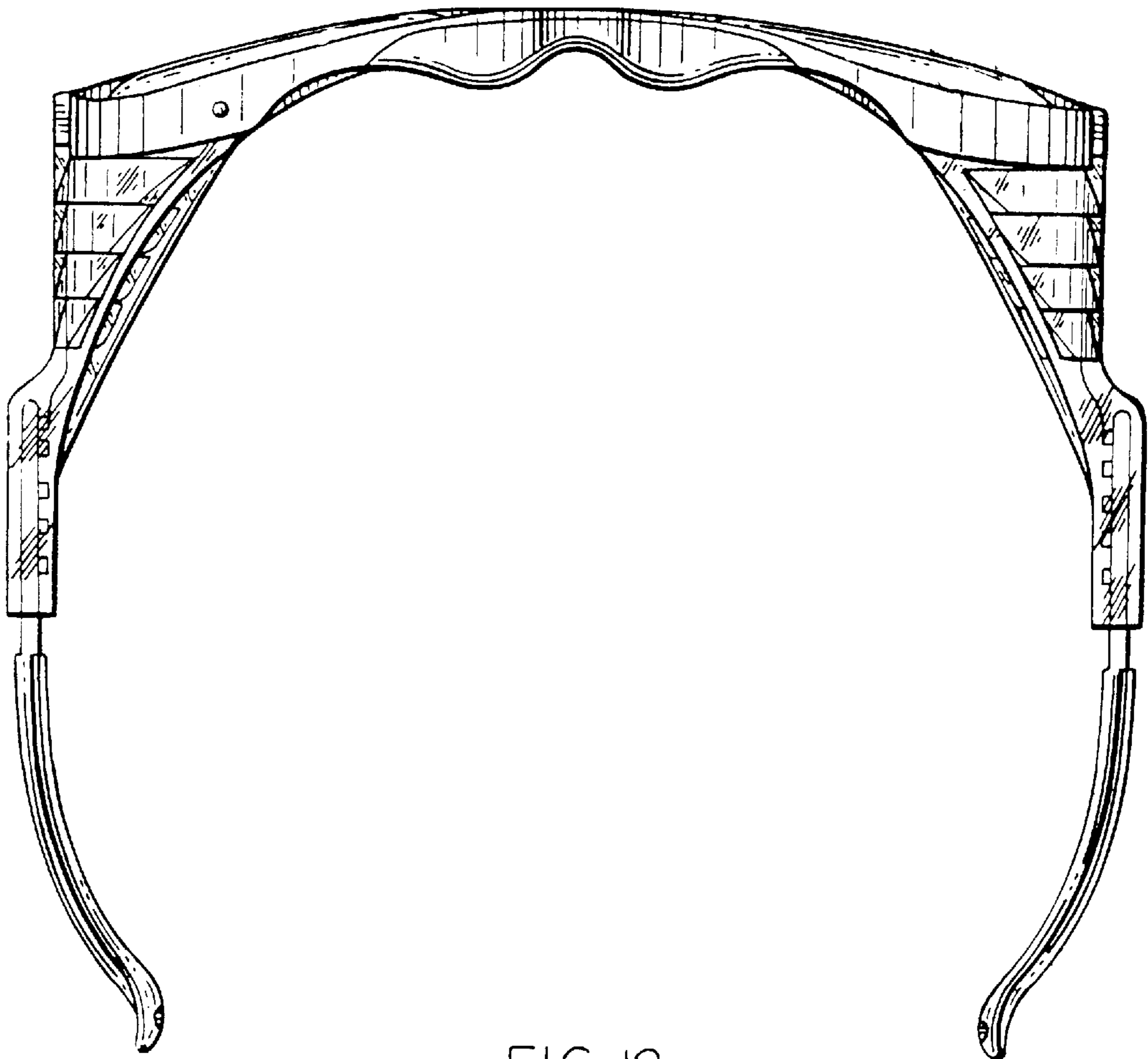


FIG. 12