



US00D407733S

United States Patent [19] Fukushima

[11] **Patent Number:** **Des. 407,733**

[45] **Date of Patent:** ****Apr. 6, 1999**

[54] **SHOULDER PAD FOR VIDEO CAMERA**

[75] Inventor: **Hiroyuki Fukushima**, Yokohama, Japan

[73] Assignee: **Canon Kabushiki Kaisha**

[**] Term: **14 Years**

[21] Appl. No.: **86,863**

[22] Filed: **Apr. 21, 1998**

[30] **Foreign Application Priority Data**

Oct. 22, 1997 [JP] Japan 9-072331

[51] **LOC (6) Cl.** **16-05**

[52] **U.S. Cl.** **D16/243**

[58] **Field of Search** D16/237, 242, D16/243, 245, 202; 224/265, 270, 908; 396/419, 420, 422, 425, 428; 352/243

[56] **References Cited**

U.S. PATENT DOCUMENTS

D. 289,162 4/1987 Lisowski D16/242

D. 323,181 1/1992 Puskas et al. D16/243
D. 329,449 9/1992 Brown et al. D16/243
4,091,975 5/1978 Rusell, Jr. 224/265

Primary Examiner—Philip S. Hyder
Assistant Examiner—Adir Aronovich
Attorney, Agent, or Firm—Fitzpatrick, Cella, Harper & Scinto

[57] **CLAIM**

The ornamental design for a shoulder pad for video camera, as shown and described.

DESCRIPTION

FIG. 1 is a front view of a shoulder pad for video camera showing my new design;
FIG. 2 is a rear view thereof;
FIG. 3 is a top plan view thereof;
FIG. 4 is a bottom plan view thereof;
FIG. 5 is a left side view thereof;
FIG. 6 is a right side view thereof; and,
FIG. 7 is a perspective view thereof.

1 Claim, 4 Drawing Sheets

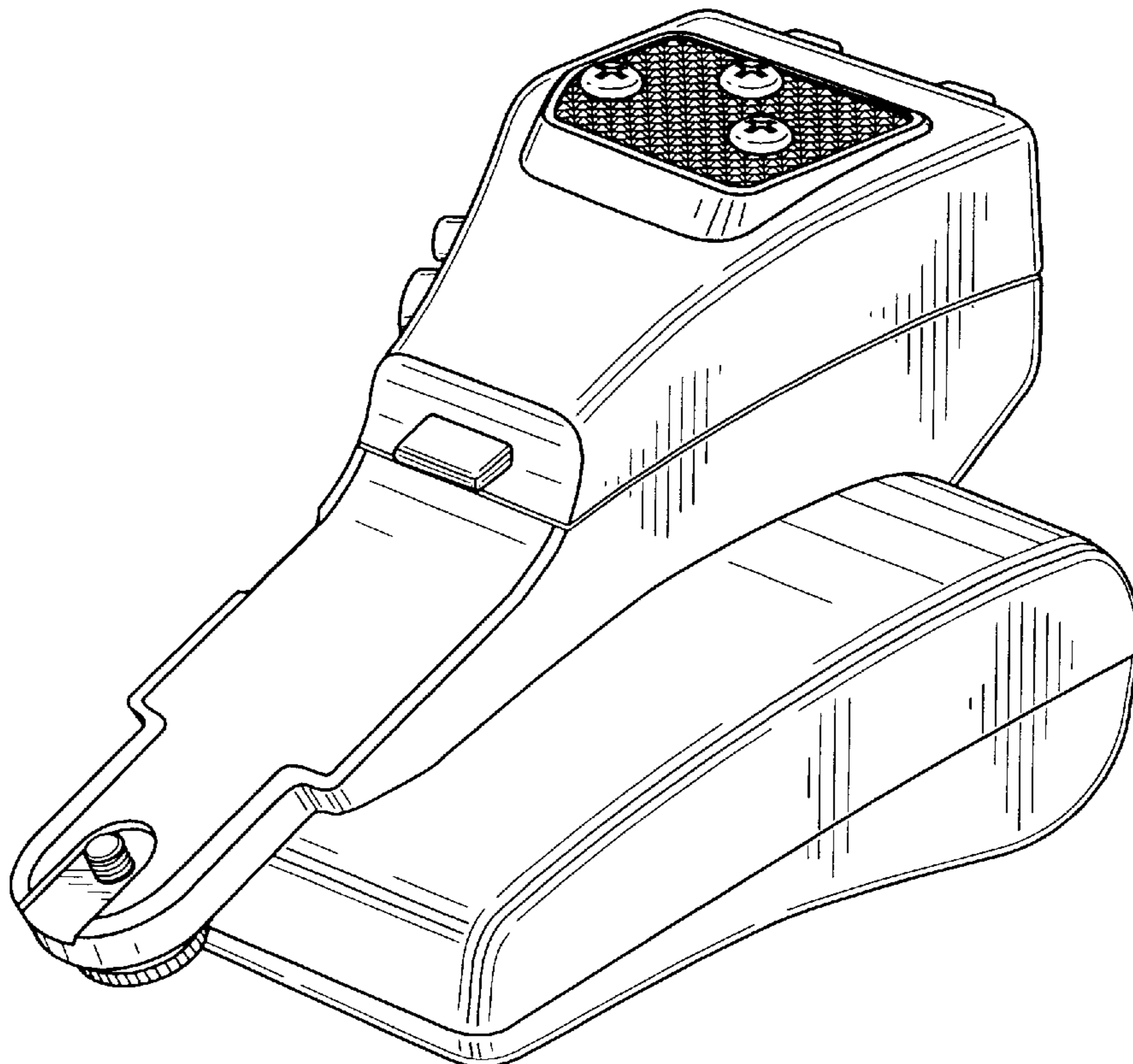


FIG. 1

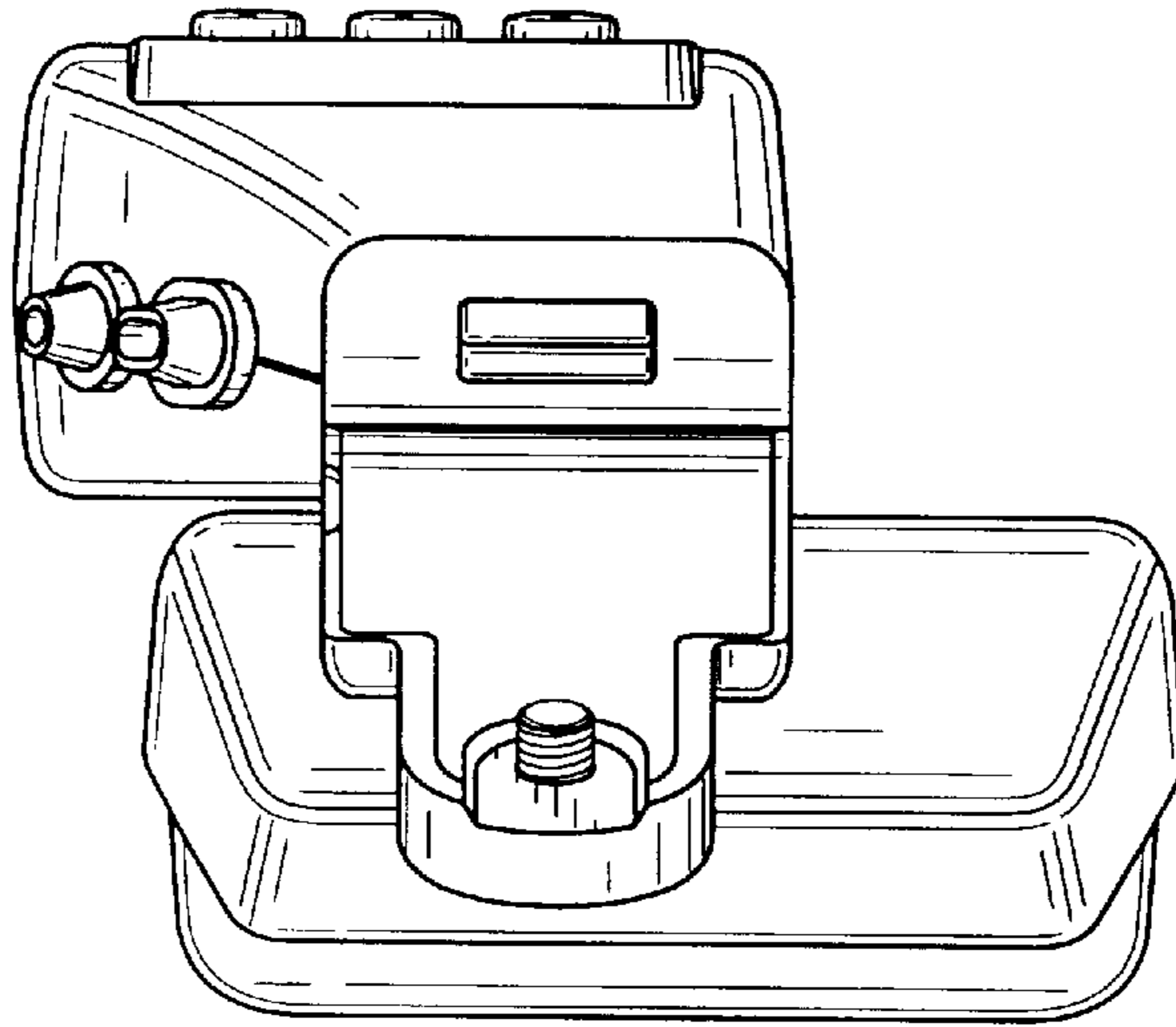


FIG. 2

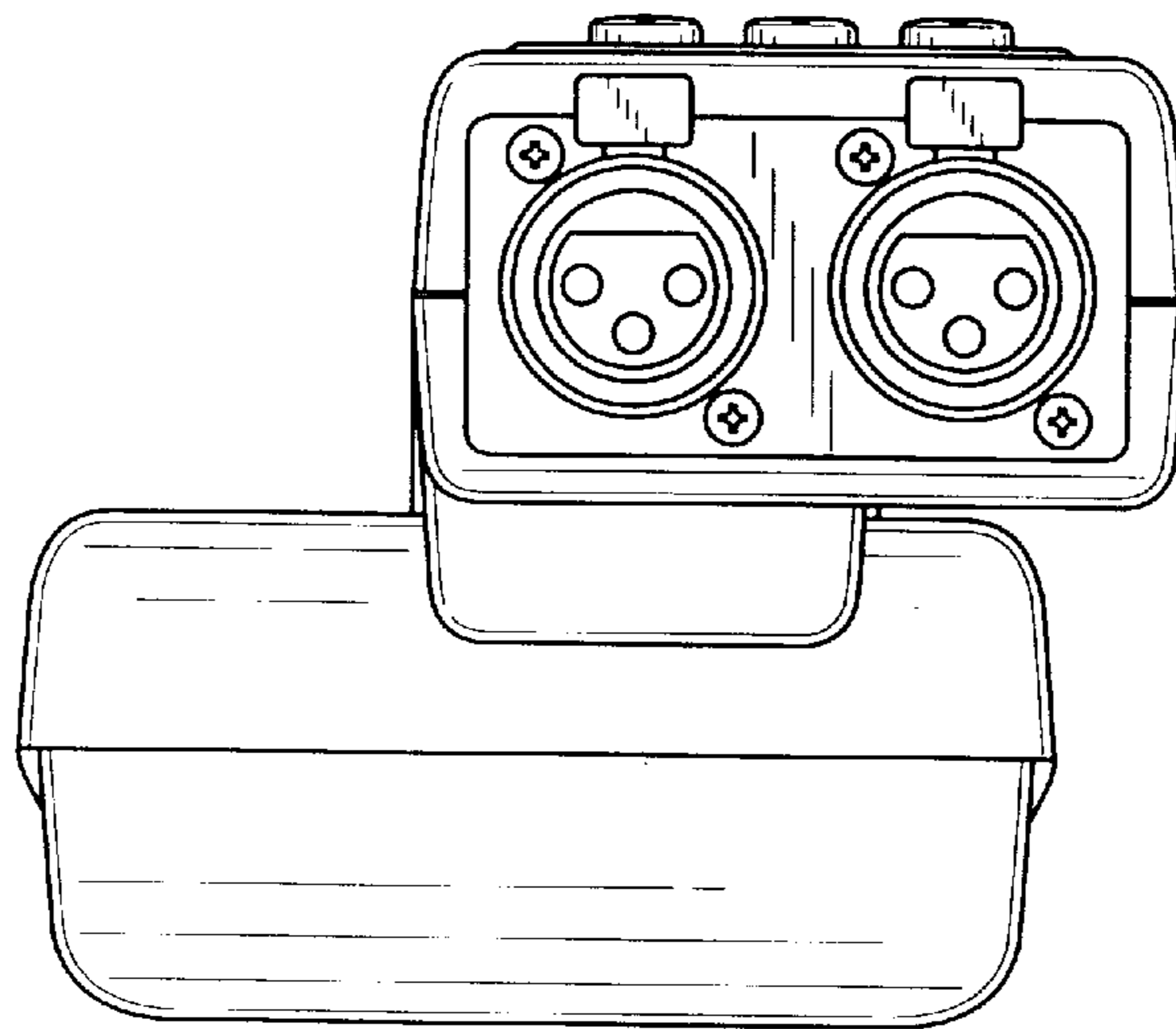


FIG. 4

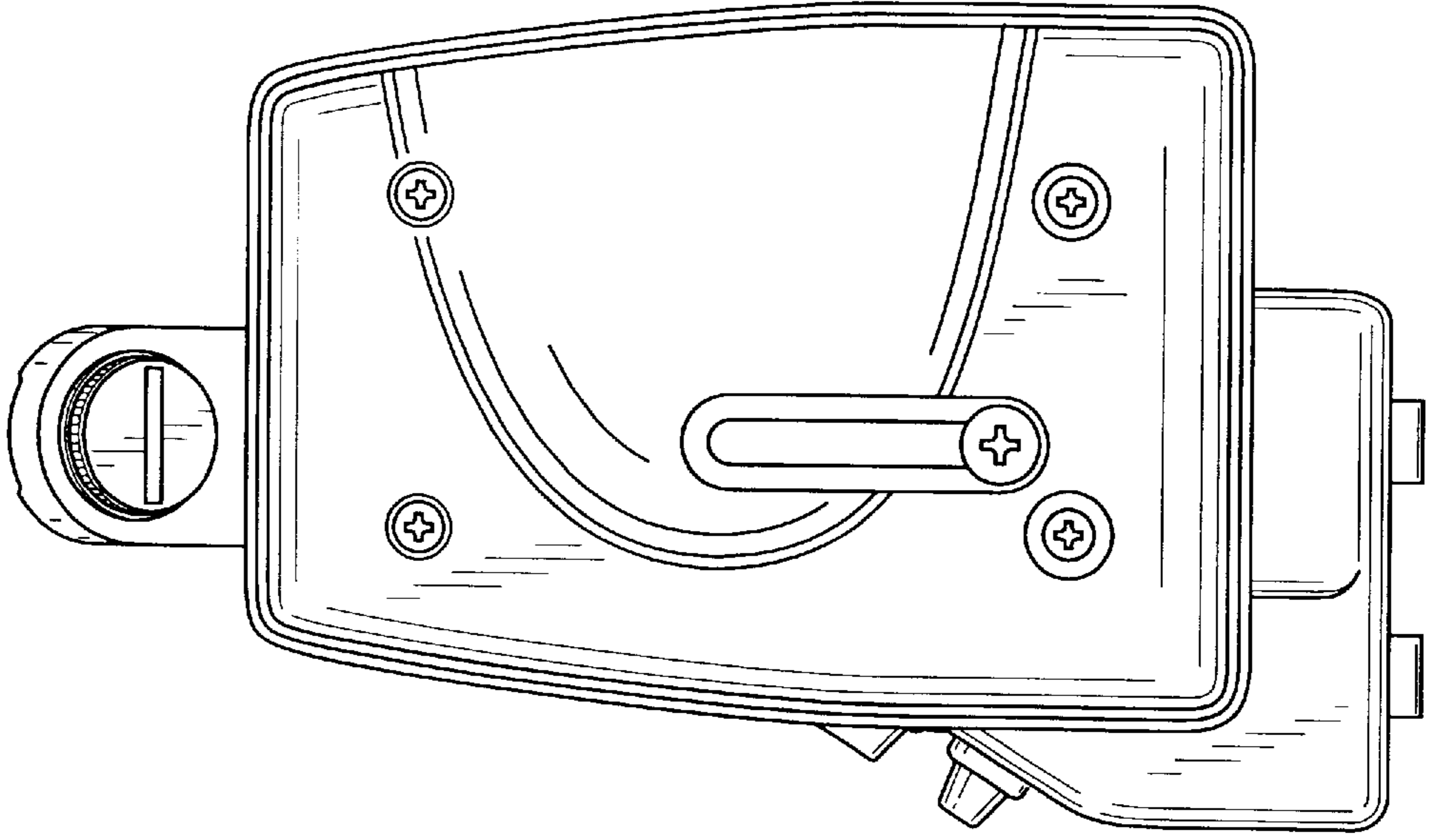


FIG. 3

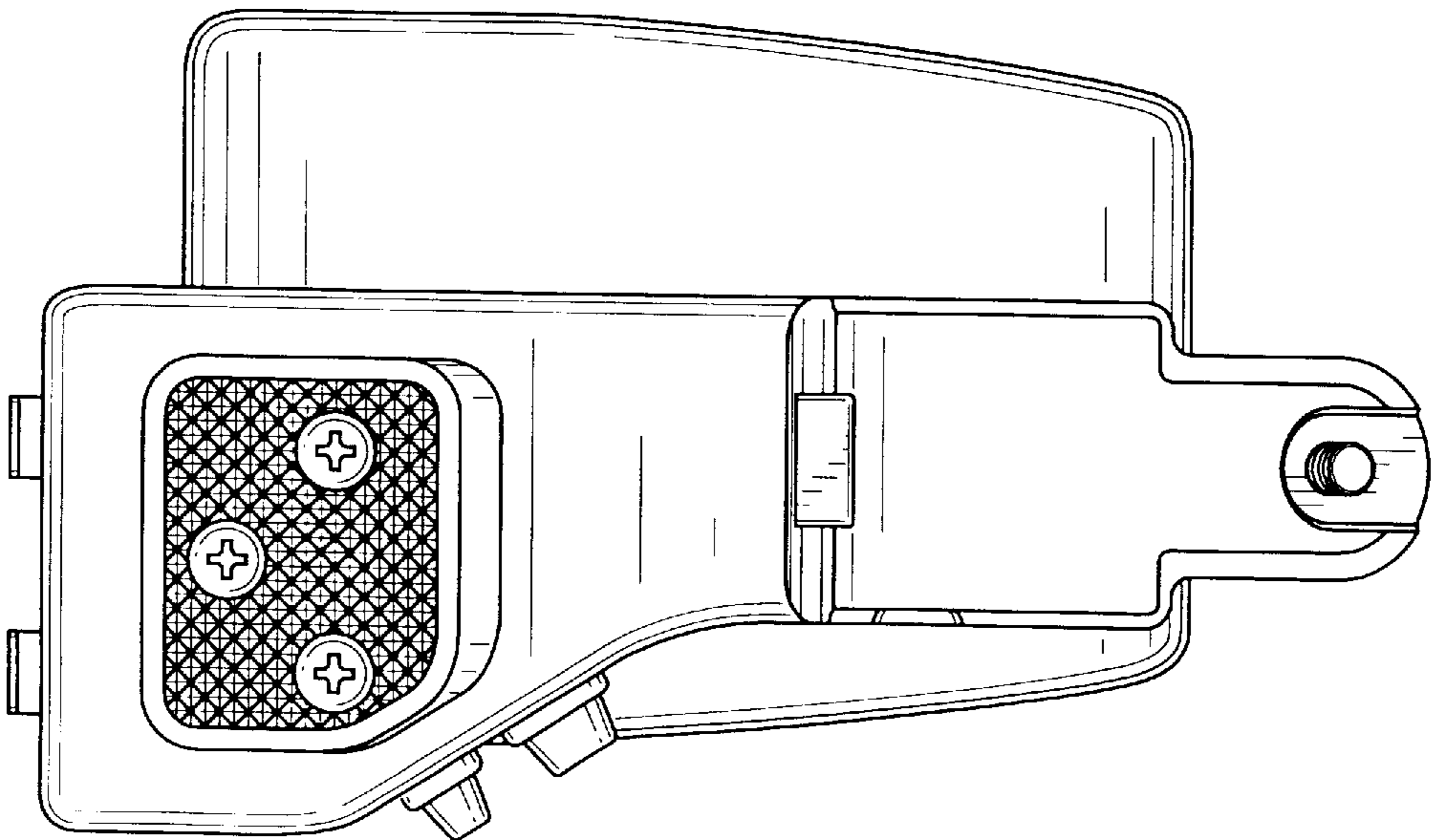


FIG. 5

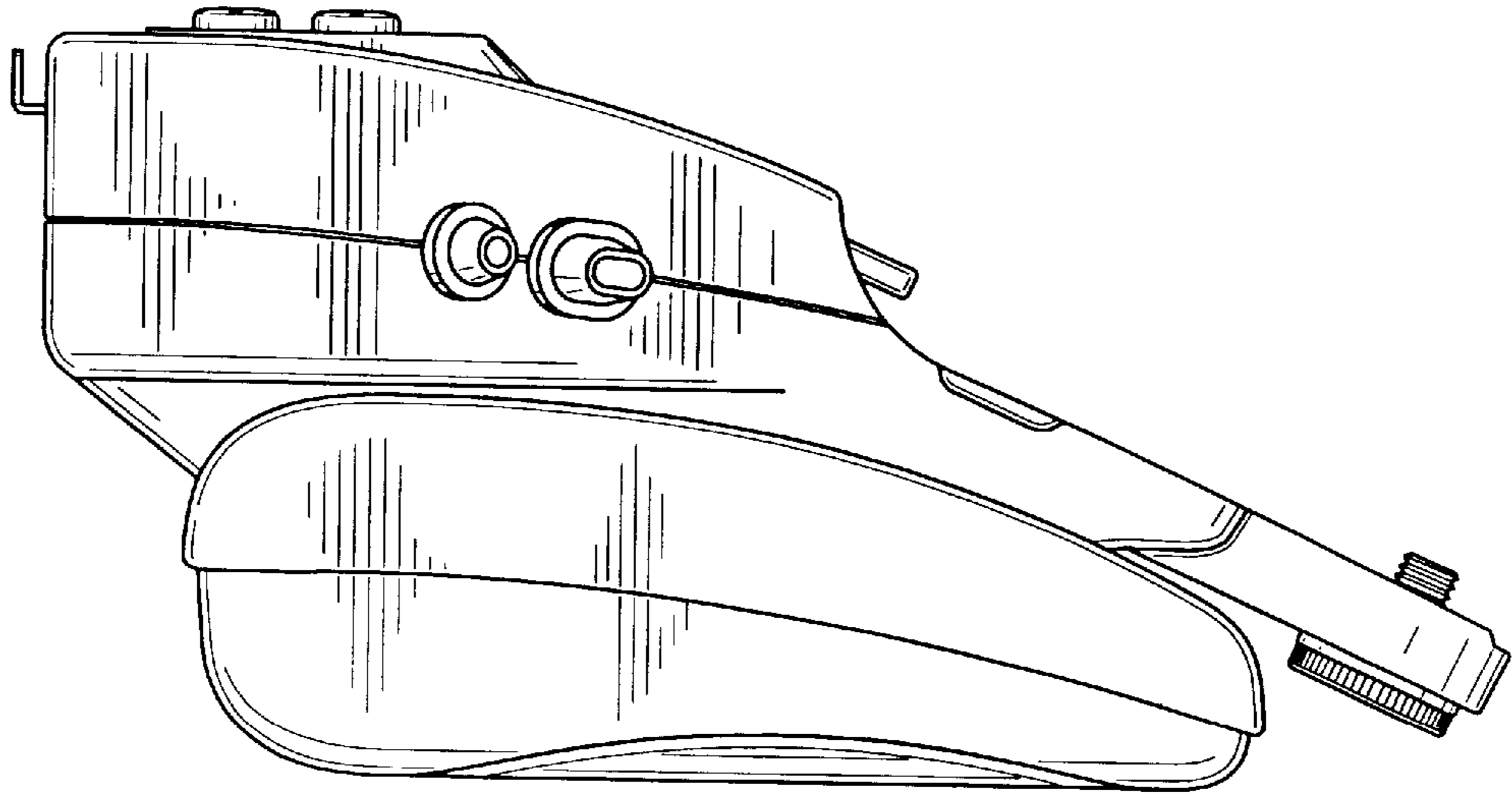


FIG. 6

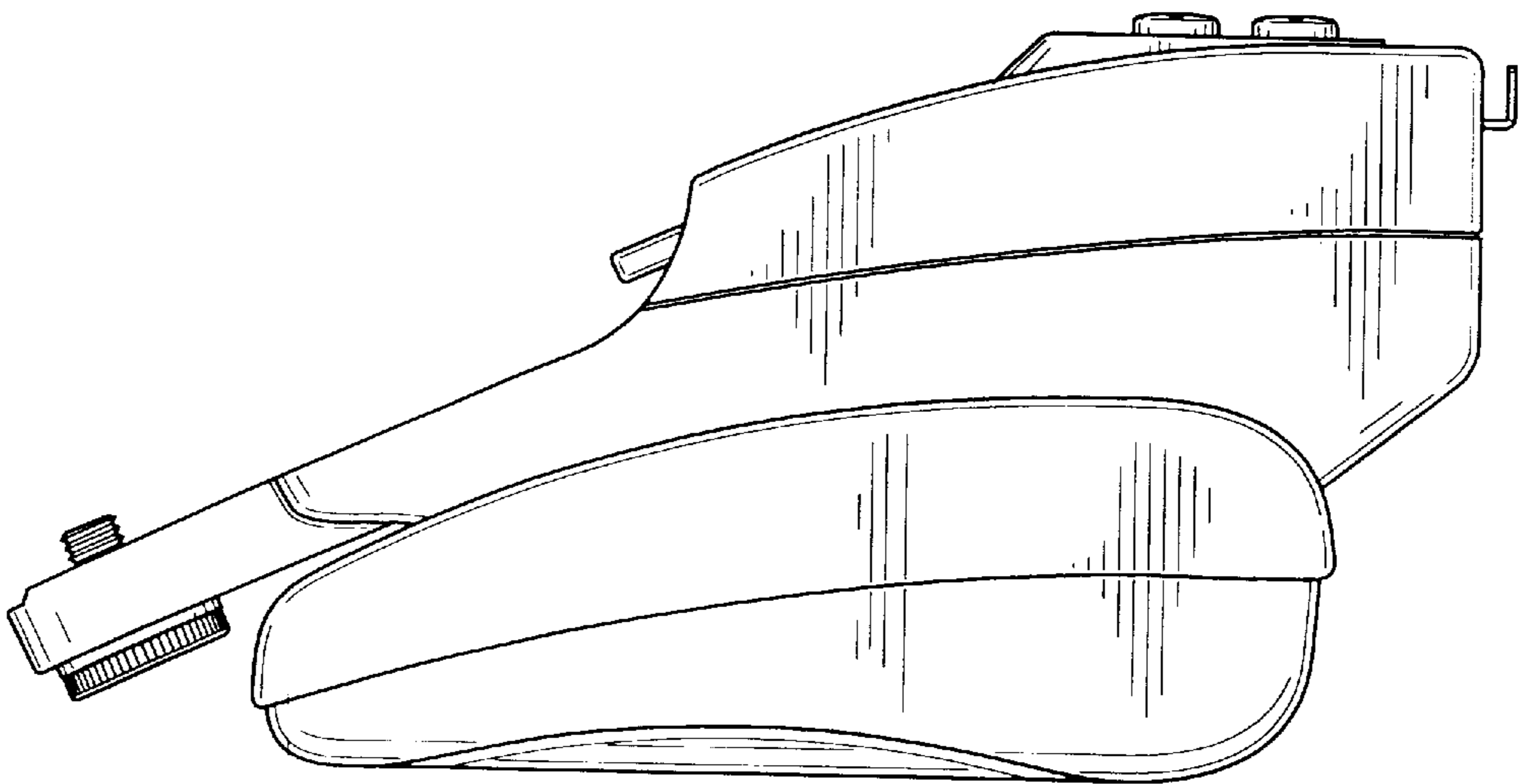


FIG. 7

