



US00D407732S

United States Patent [19] Miyamoto

[11] **Patent Number:** **Des. 407,732**

[45] **Date of Patent:** ****Apr. 6, 1999**

[54] **LENS GRIP FOR TV CAMERA**

[75] Inventor: **Noriaki Miyamoto**, Yokohama, Japan

[73] Assignee: **Canon Kabushiki Kaisha**, Tokyo, Japan

[**] Term: **14 Years**

[21] Appl. No.: **84,347**

[22] Filed: **Mar. 2, 1998**

[30] **Foreign Application Priority Data**

Sep. 5, 1997 [JP] Japan 9-066935

[51] **LOC (6) Cl.** **16-05**

[52] **U.S. Cl.** **D16/243; D16/219**

[58] **Field of Search** D16/200-206,
D16/219, 237, 242, 243; 224/908; 352/242,
243; 396/420, 423, 424

[56] **References Cited**

U.S. PATENT DOCUMENTS

D. 319,068 8/1991 Shinano D16/243

D. 330,904 11/1992 Sasaki D16/243
4,757,335 7/1988 Muryoi et al. 396/423
5,343,263 8/1994 Takemae et al. 396/423

Primary Examiner—Philip S. Hyder
Assistant Examiner—Adir Aronovich
Attorney, Agent, or Firm—Fitzpatrick, Cella, Harper & Scinto

[57] **CLAIM**

The ornamental design for a lens grip for TV camera, as shown and described.

DESCRIPTION

FIG. 1 is a front view of a lens grip for TV camera showing my new design;
FIG. 2 is a rear view thereof;
FIG. 3 is a top plan view thereof;
FIG. 4 is a bottom plan view thereof;
FIG. 5 is a left side view thereof;
FIG. 6 is a right side view thereof; and,
FIG. 7 is a perspective view thereof.

1 Claim, 4 Drawing Sheets

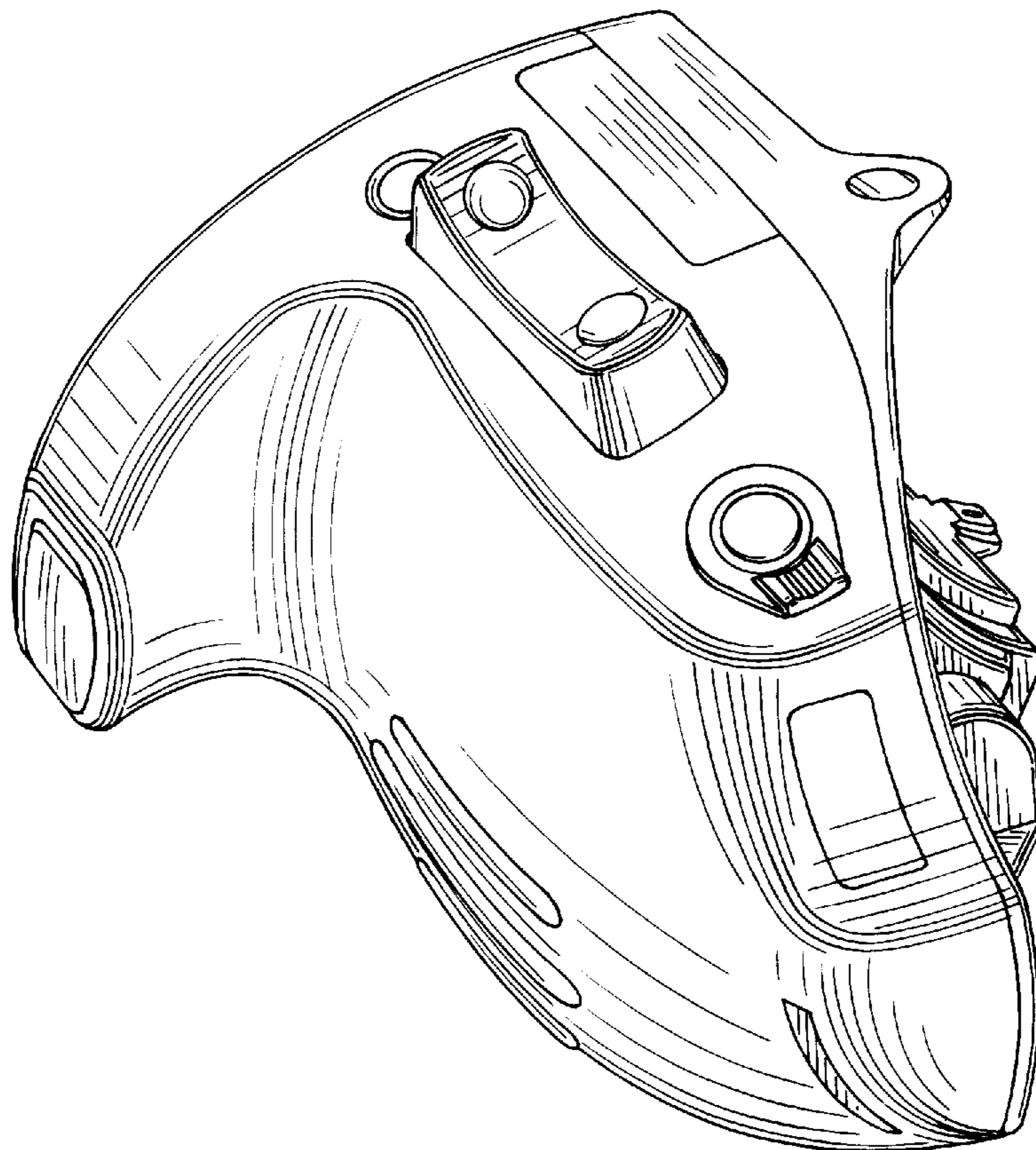


FIG. 1

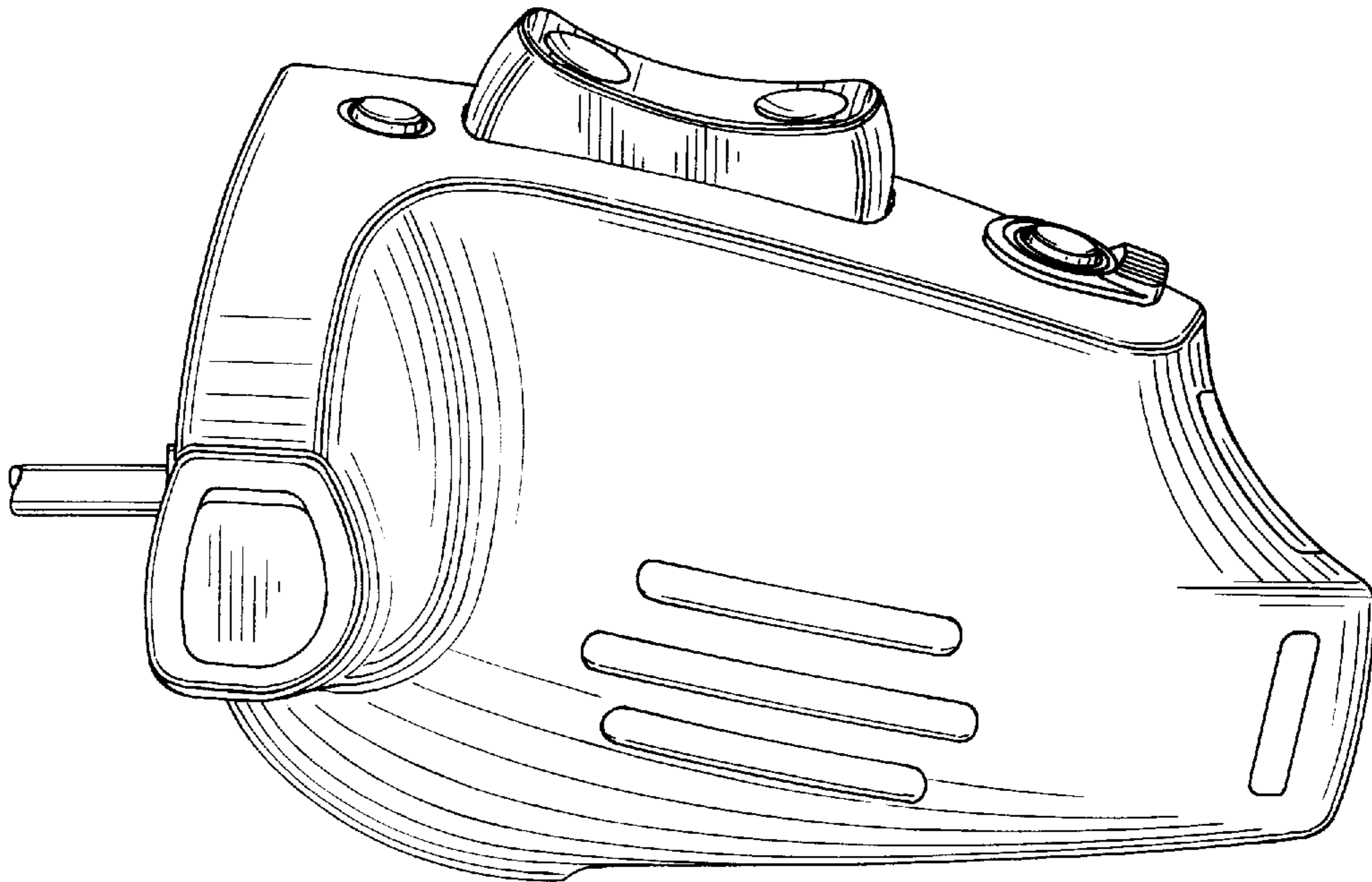


FIG. 2

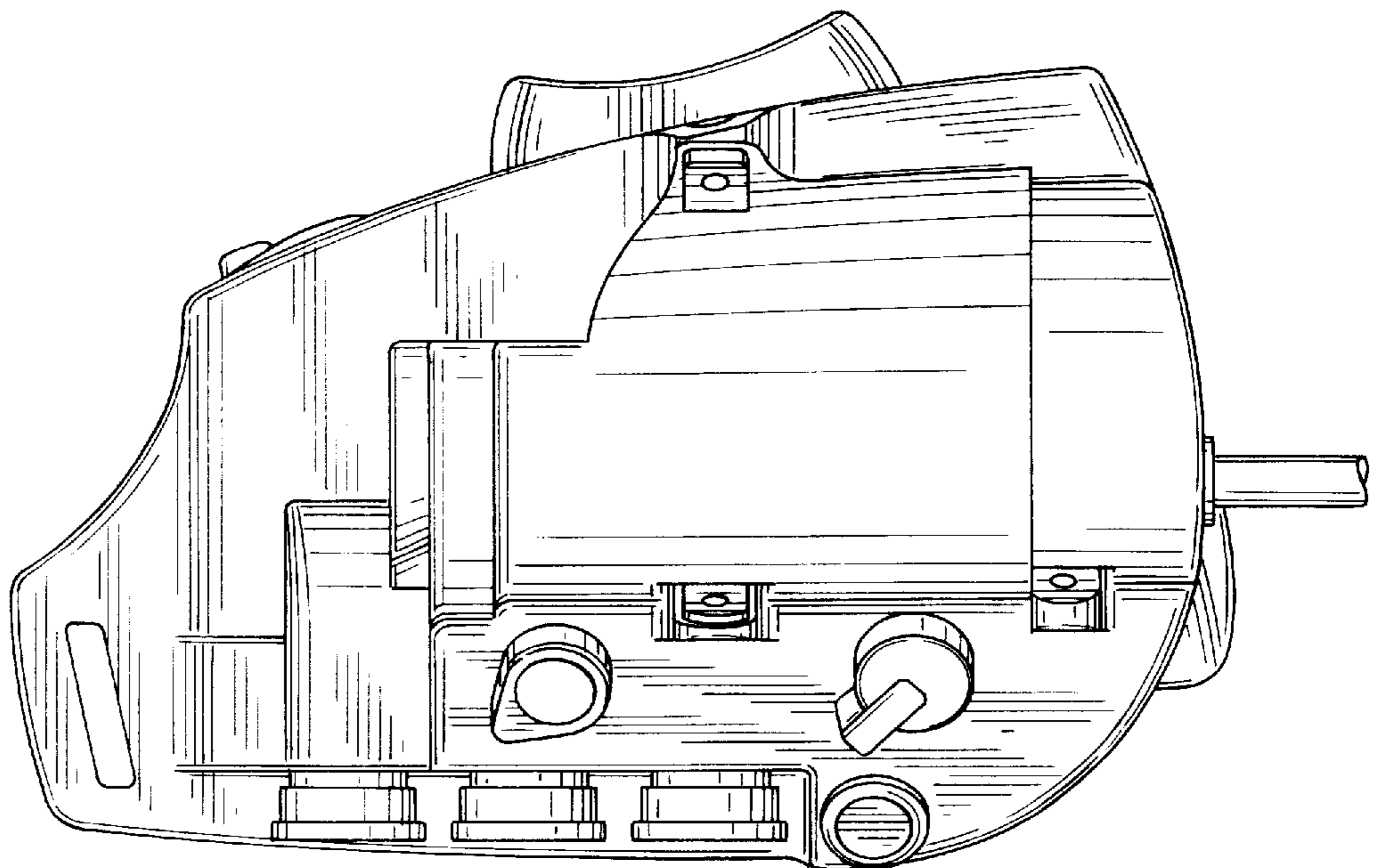


FIG. 3

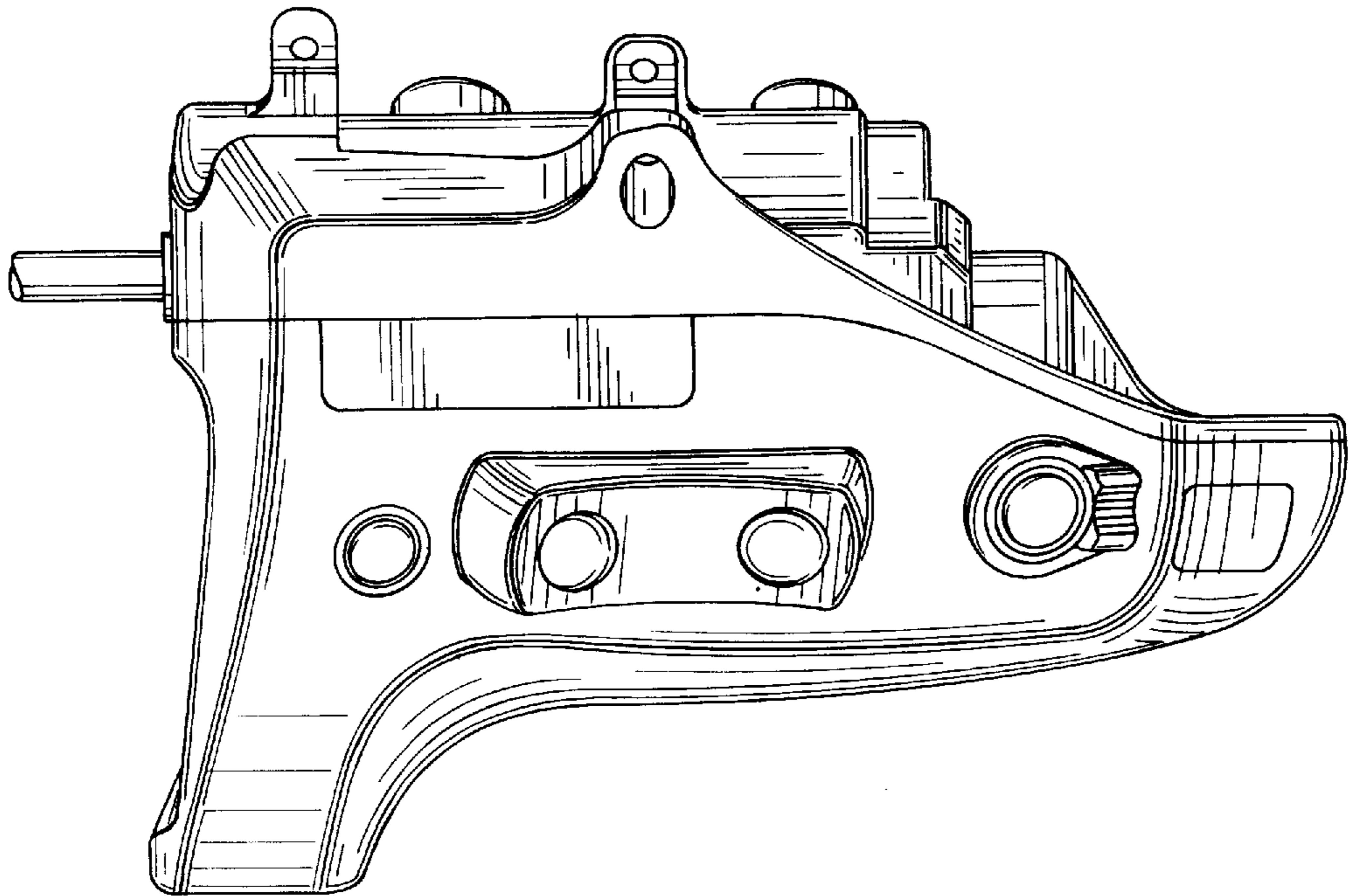


FIG. 4

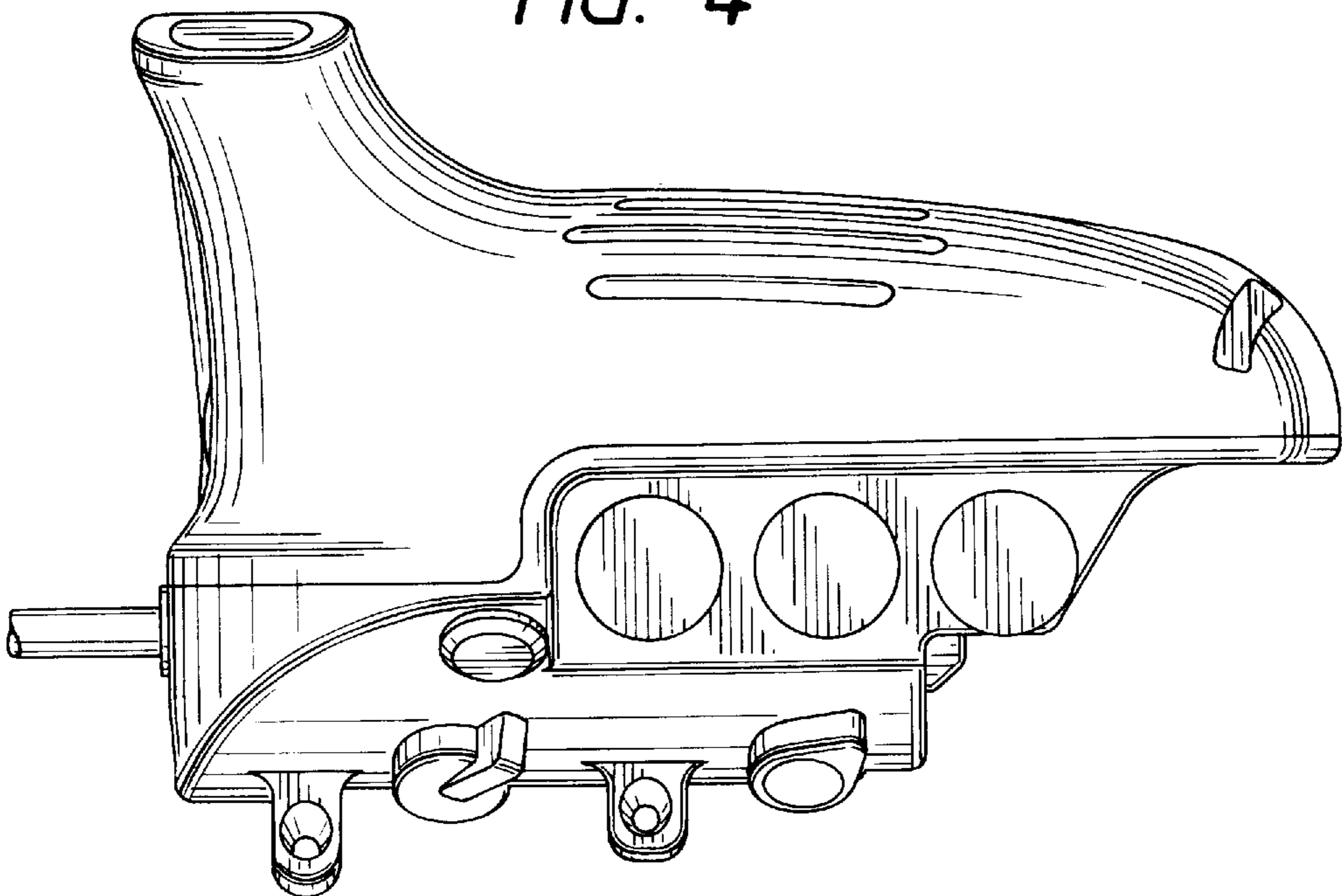


FIG. 5

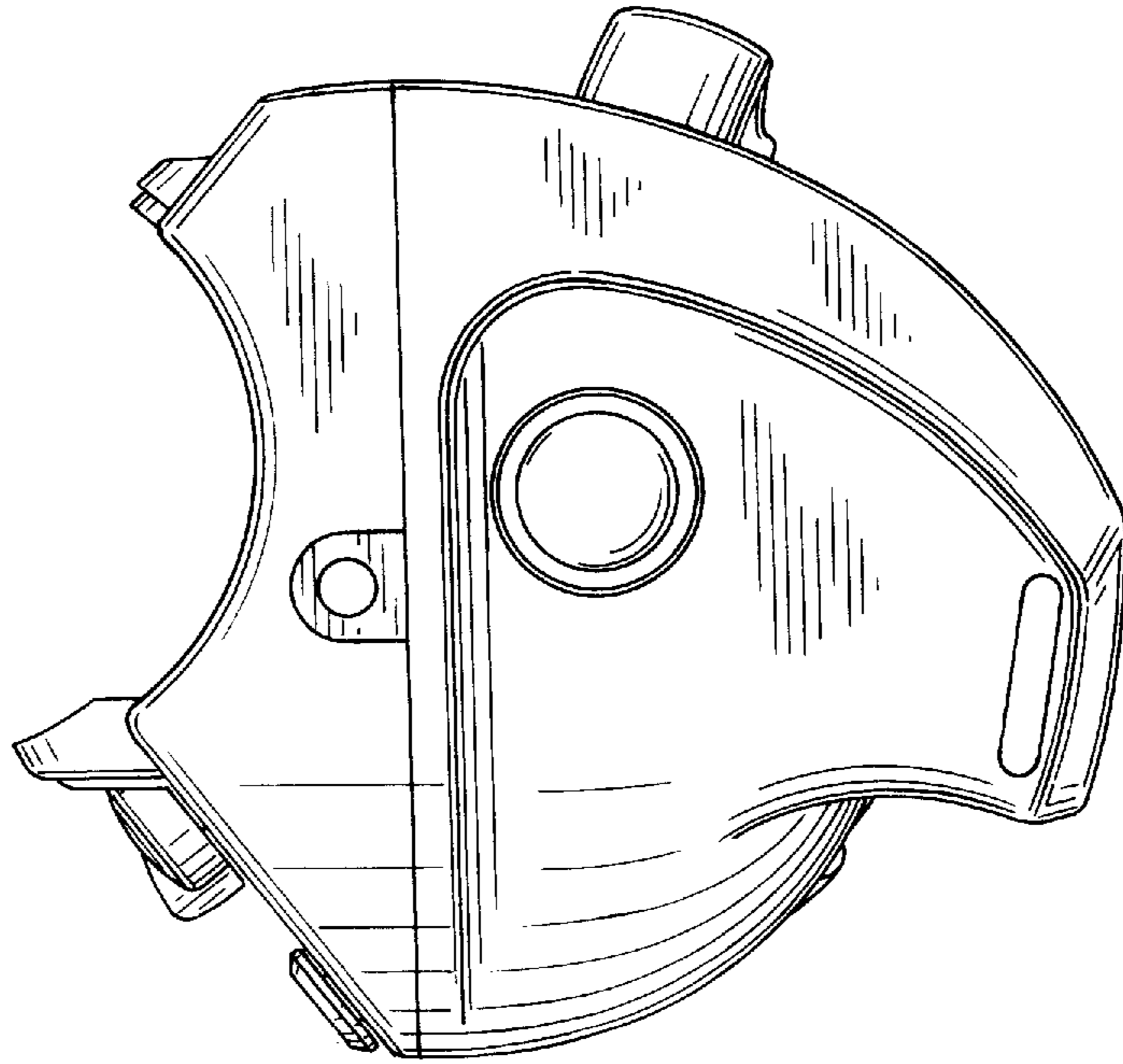


FIG. 6

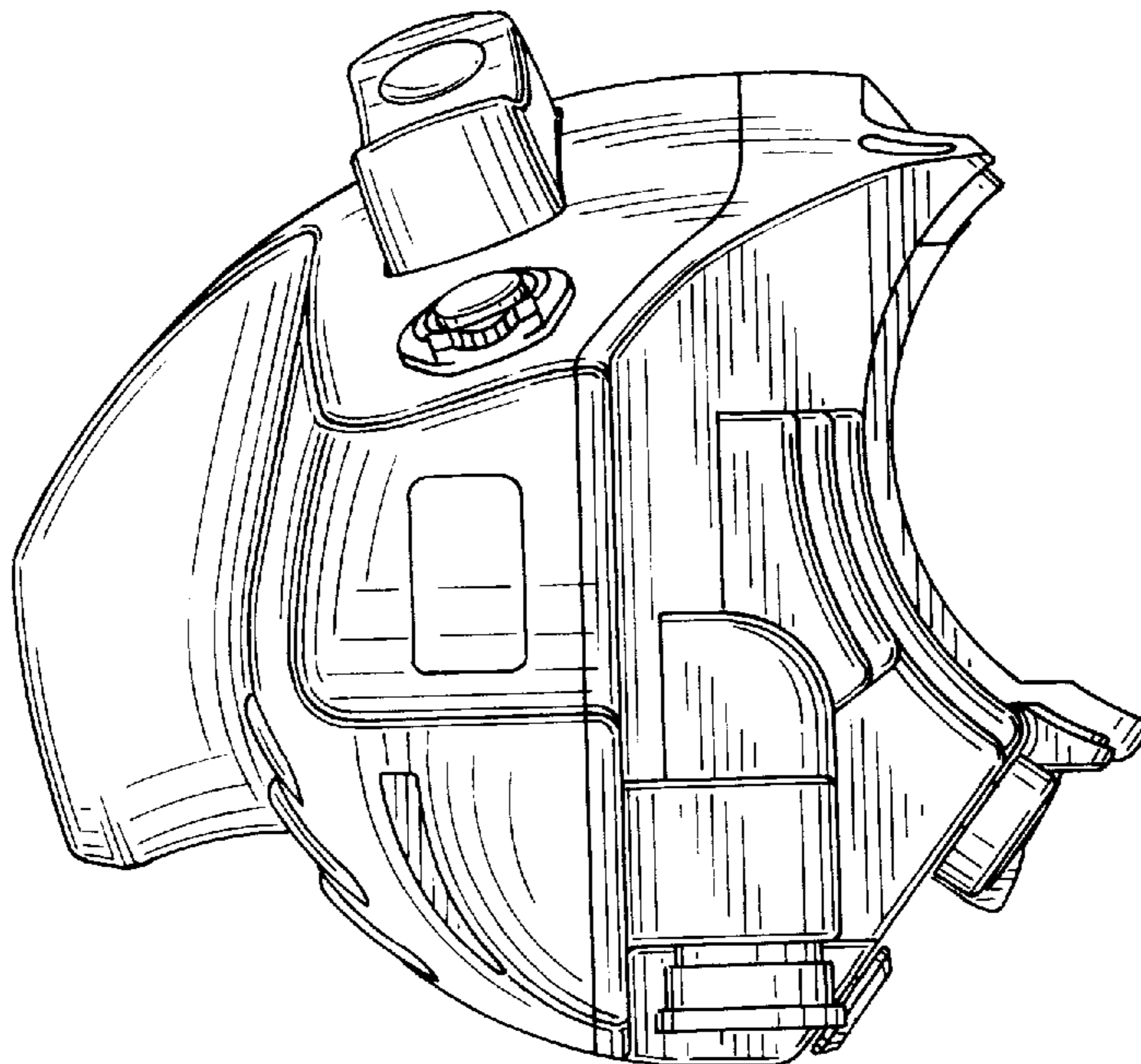


FIG. 7

