



US00D407731S

United States Patent [19]

Morishita et al.

[11] Patent Number: **Des. 407,731**

[45] Date of Patent: ****Apr. 6, 1999**

[54] CAMERA

[75] Inventors: **Yasuhiro Morishita**, Tokyo; **Minoru Tanabe**, Kawasaki; **Ryoji Okuno**, Yokohama, all of Japan

[73] Assignee: **Canon Kabushiki Kaisha**, Tokyo, Japan

[**] Term: **14 Years**

[21] Appl. No.: **88,495**

[22] Filed: **May 26, 1998**

[30] Foreign Application Priority Data

Nov. 27, 1997 [JP] Japan 9-076625

[51] LOC (6) Cl. **16-01**

[52] U.S. Cl. **D16/209; D16/218**

[58] Field of Search D16/200-205, D16/208, 209, 216-218; 396/535-543

[56] References Cited

U.S. PATENT DOCUMENTS

D. 360,217 7/1995 Shull et al. D16/209

D. 386,775 11/1997 Shiotani et al. D16/218
D. 394,076 5/1998 Matsumura et al. D16/209
D. 396,242 7/1998 Ito D16/209
5,258,793 11/1993 Tsuji et al. 396/536

Primary Examiner—Philip S. Hyder
Assistant Examiner—Adir Aronovich
Attorney, Agent, or Firm—Fitzpatrick, Cella, Harper & Scinto

[57] CLAIM

The ornamental design for a camera, as shown and described.

DESCRIPTION

FIG. 1 is a front view of a camera showing our new design; FIG. 2 is a rear view thereof; FIG. 3 is a top plan view thereof; FIG. 4 is a bottom plan view thereof; FIG. 5 is a left side view thereof; FIG. 6 is a right side view thereof; and, FIG. 7 is a perspective view thereof.

1 Claim, 3 Drawing Sheets

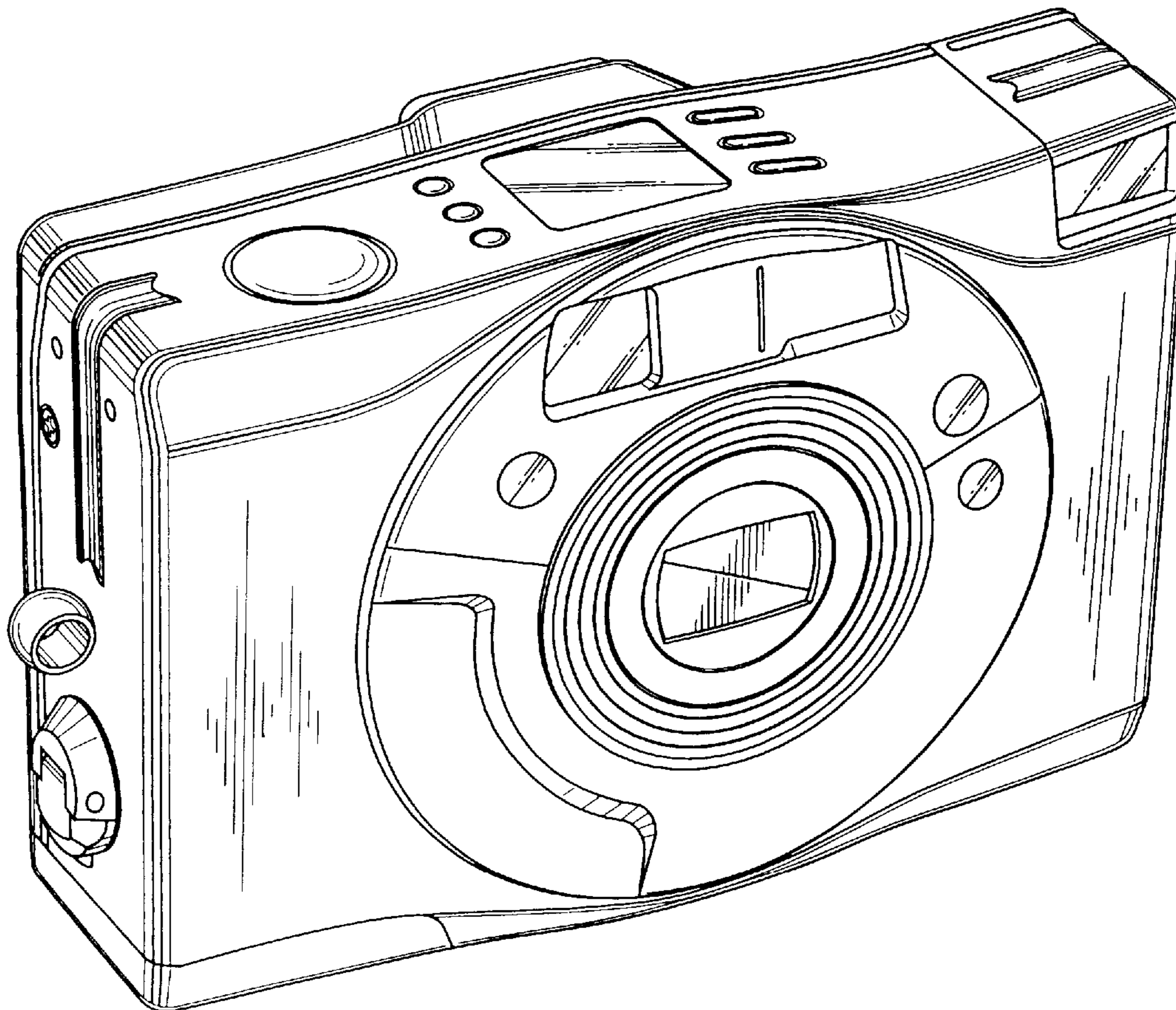


FIG. 1

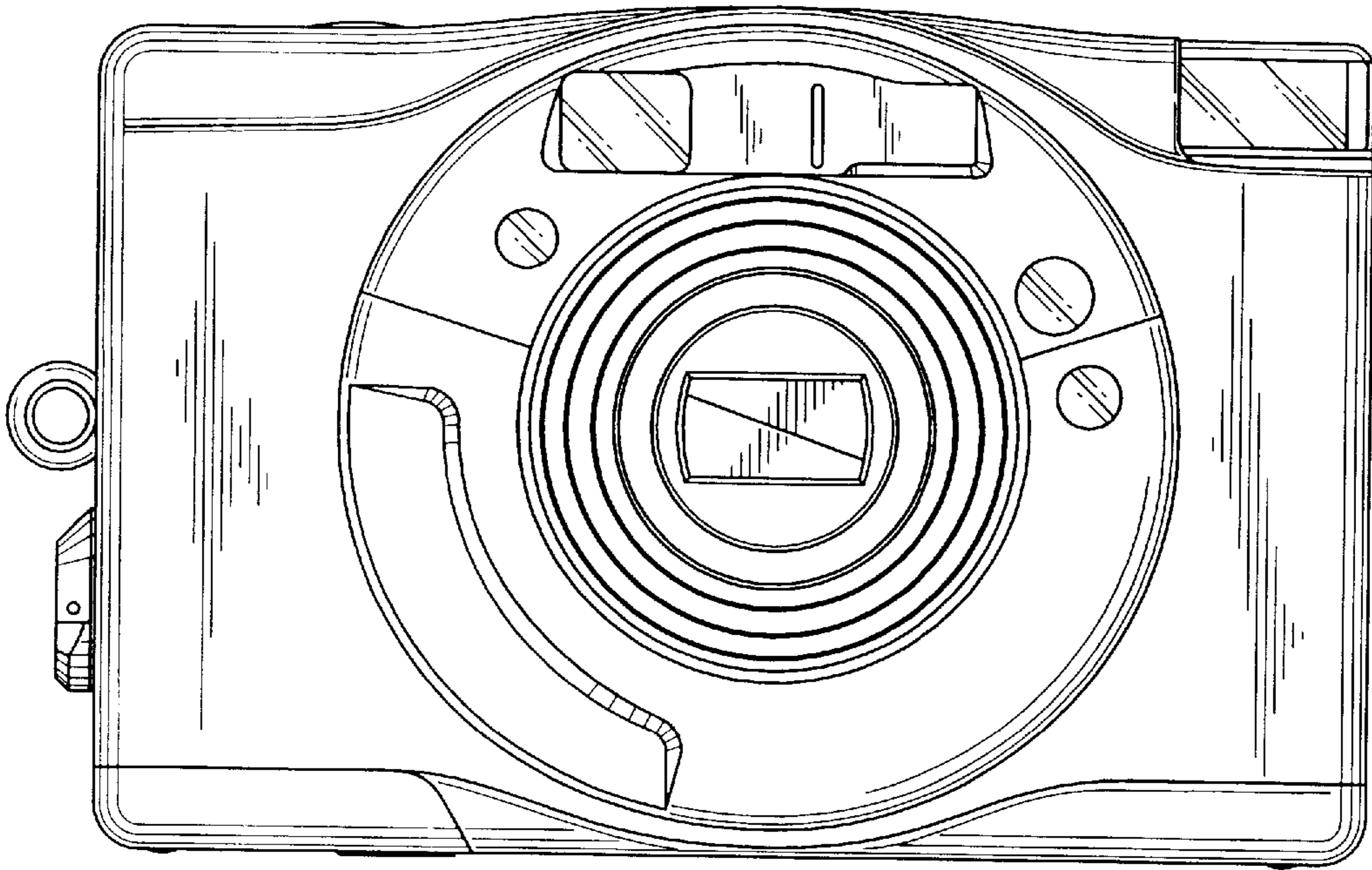


FIG. 2

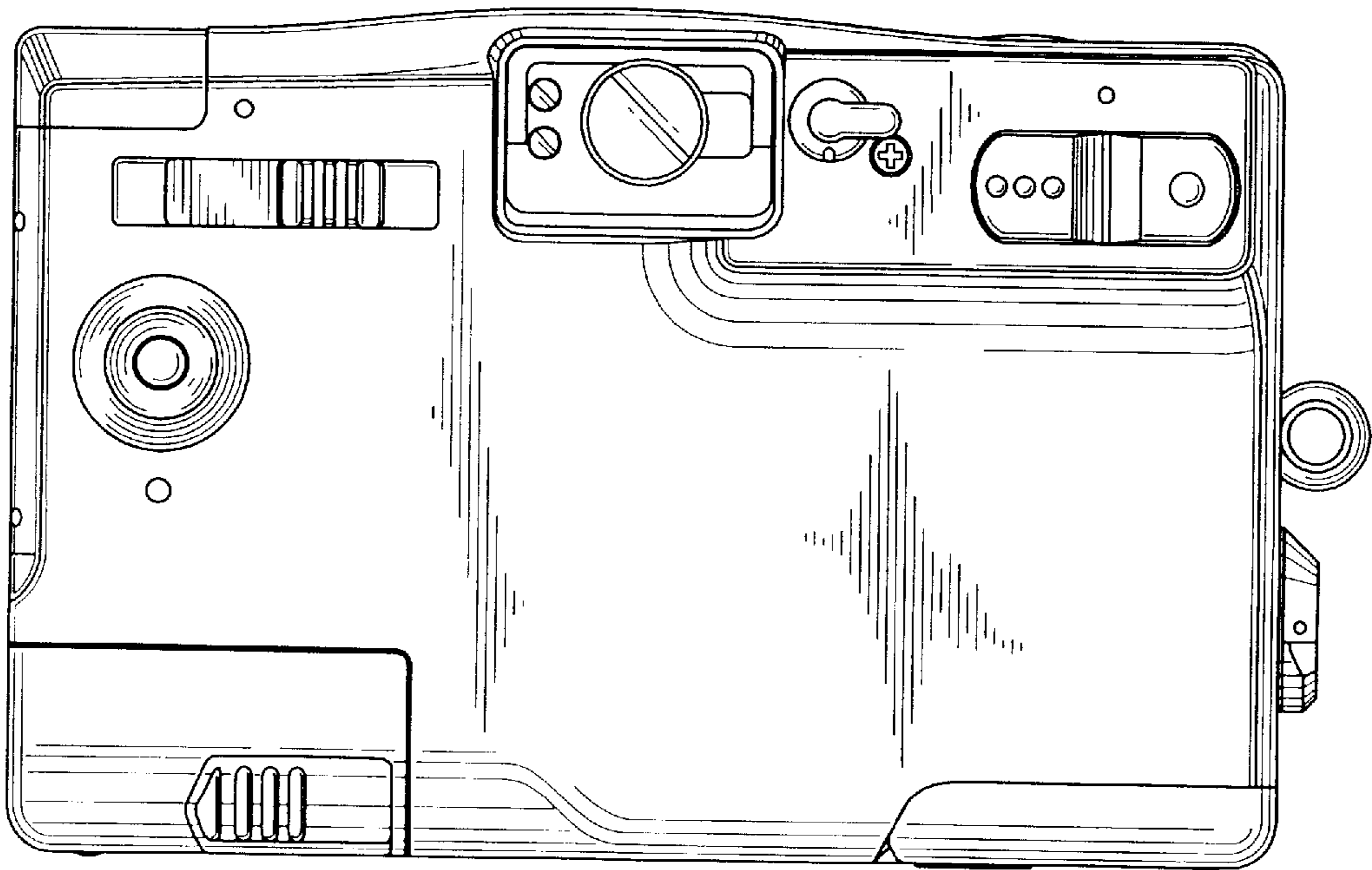


FIG. 3

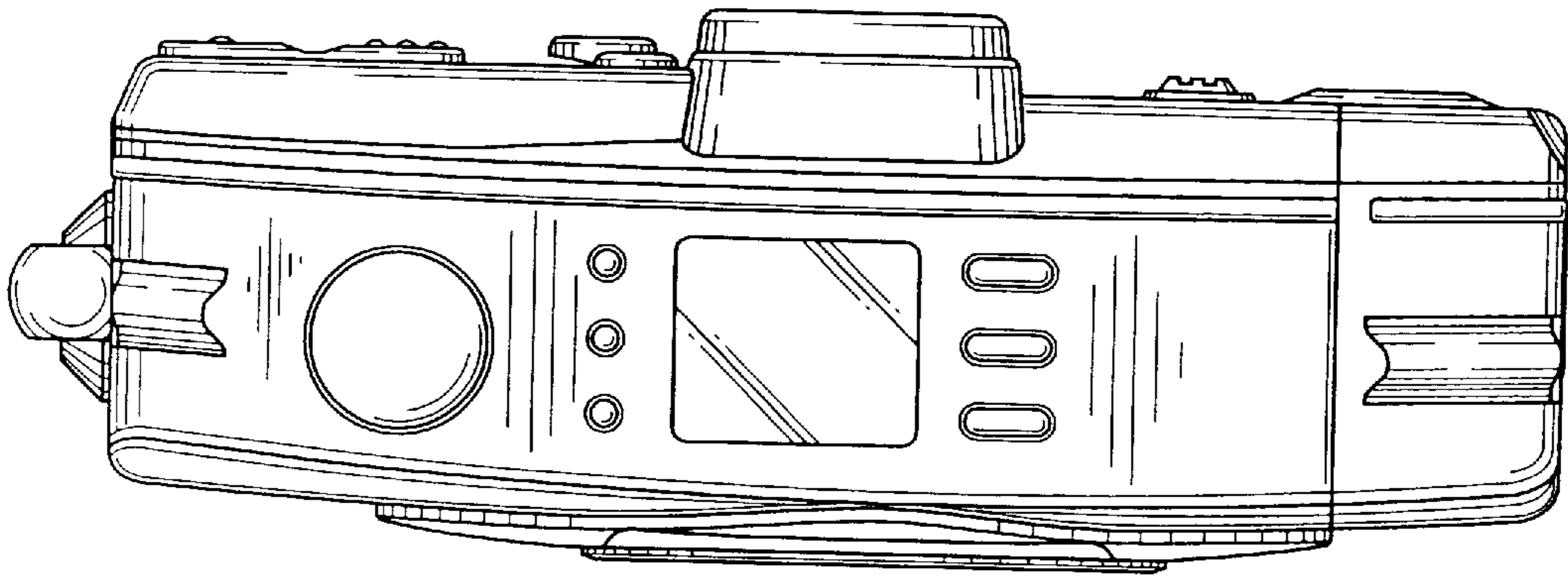


FIG. 4

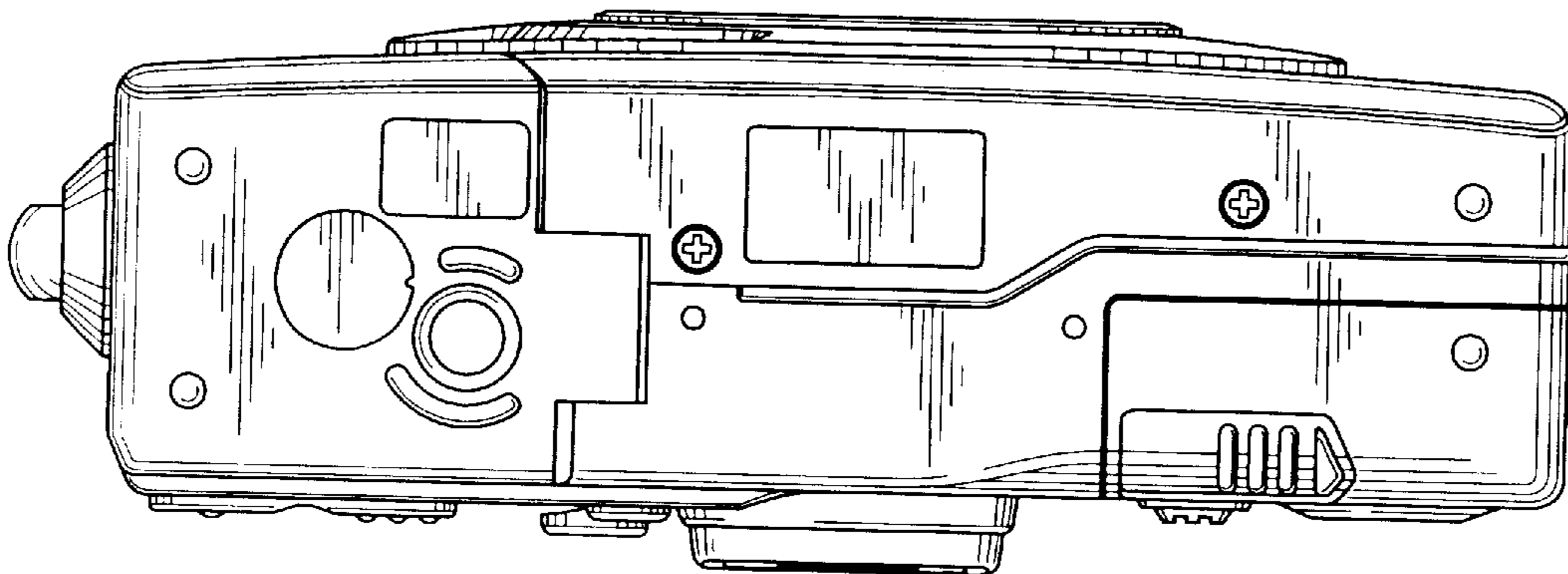


FIG. 5

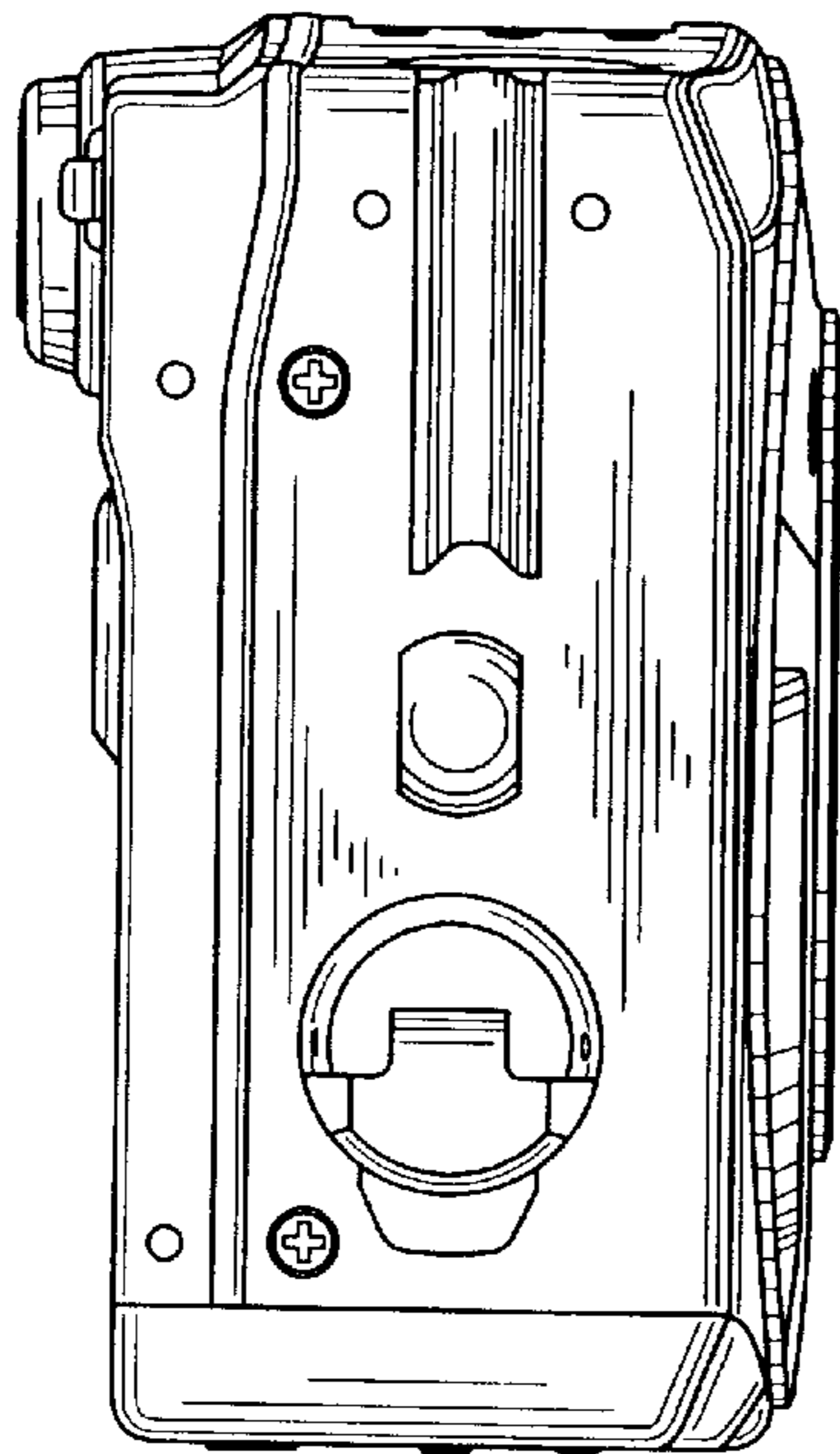


FIG. 6

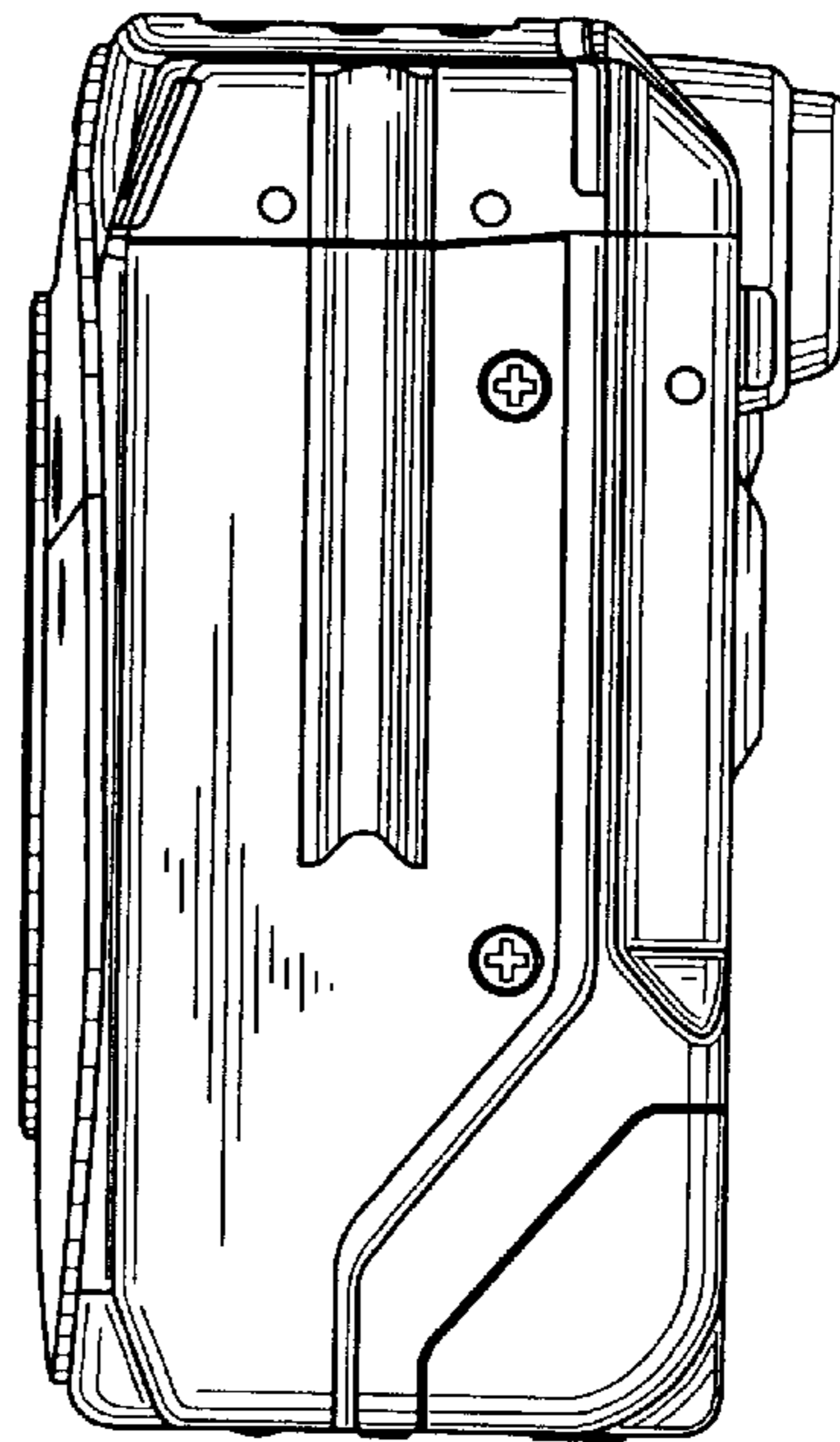


FIG. 7

