



US00D407729S

United States Patent [19]
Fukushima

[11] **Patent Number:** **Des. 407,729**
[45] **Date of Patent:** ****Apr. 6, 1999**

[54] **DIGITAL VIDEO CAMERA WITH VIDEO TAPE RECORDER**

D. 331,936 12/1992 Ishikawa D16/202
D. 332,108 12/1992 Kondo D16/202
D. 336,910 6/1993 Yoshida D16/202
4,623,931 11/1986 Inaga et al. 348/374

[75] Inventor: **Hiroyuki Fukushima**, Yokohama, Japan

Primary Examiner—Ted Shooman
Assistant Examiner—Adir Aronovich
Attorney, Agent, or Firm—Fitzpatrick, Cella, Harper & Scinto

[73] Assignee: **Canon Kabushiki Kaisha**, Tokyo, Japan

[**] Term: **14 Years**

[21] Appl. No.: **86,860**

[57] **CLAIM**

The ornamental design for a digital video camera with video tape recorder, as shown and described.

[22] Filed: **Apr. 21, 1998**

[30] **Foreign Application Priority Data**

DESCRIPTION

Oct. 22, 1997 [JP] Japan 9-72330

FIG. 1 is a front view of a digital video camera with video tape recorder showing my new design;
FIG. 2 is a rear view thereof;
FIG. 3 is a top plan view thereof;
FIG. 4 is a bottom plan view thereof;
FIG. 5 is a left side view thereof;
FIG. 6 is a right side view thereof; and,
FIG. 7 is a perspective view thereof.

[51] **LOC (6) Cl.** **16-01**

[52] **U.S. Cl.** **D16/202**

[58] **Field of Search** D16/200-208,
D16/216-218; 348/373-376; 352/242, 243;
358/906; 396/535-543

[56] **References Cited**

U.S. PATENT DOCUMENTS

D. 317,456 6/1991 Ooi et al. D16/202

1 Claim, 6 Drawing Sheets

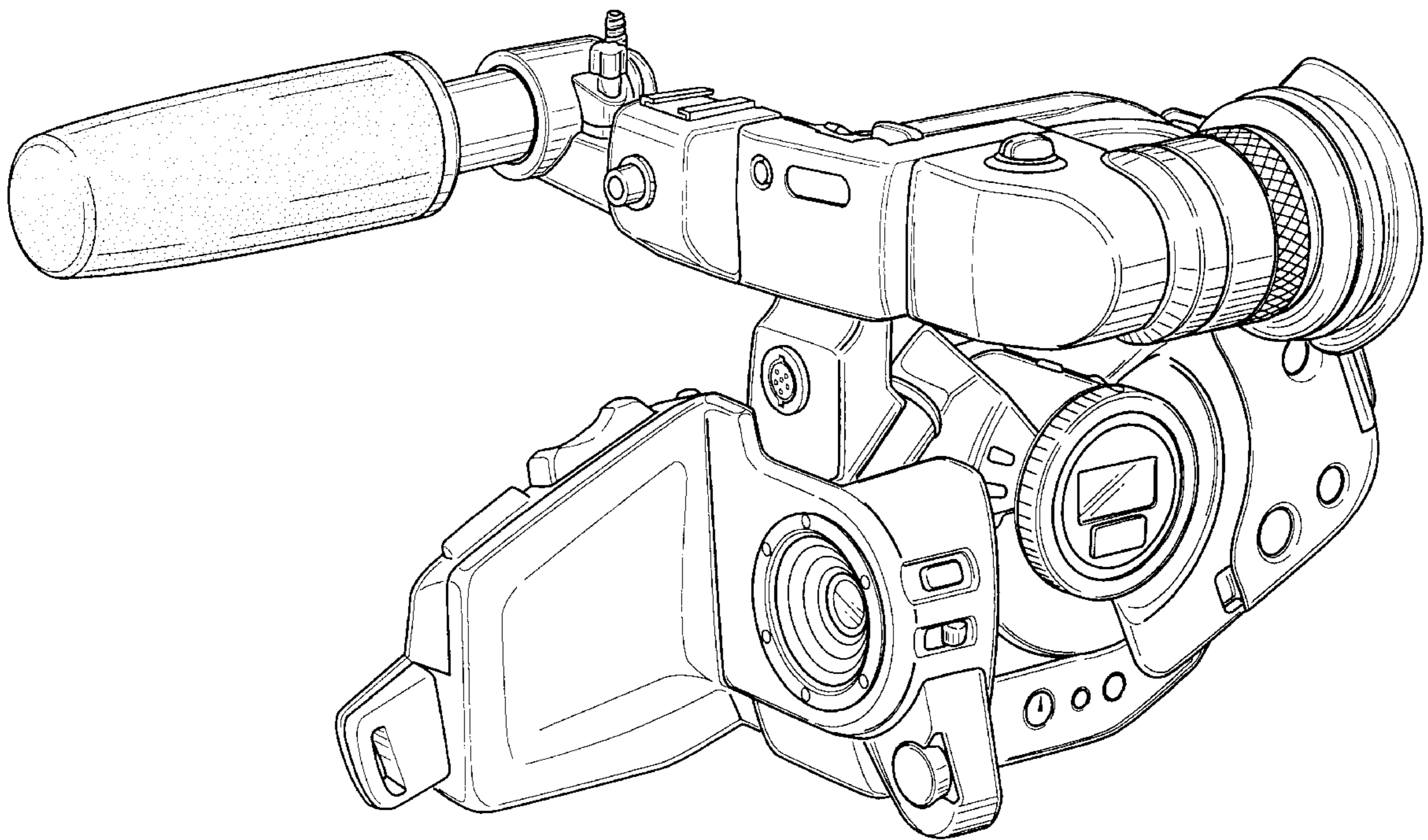


FIG. 2

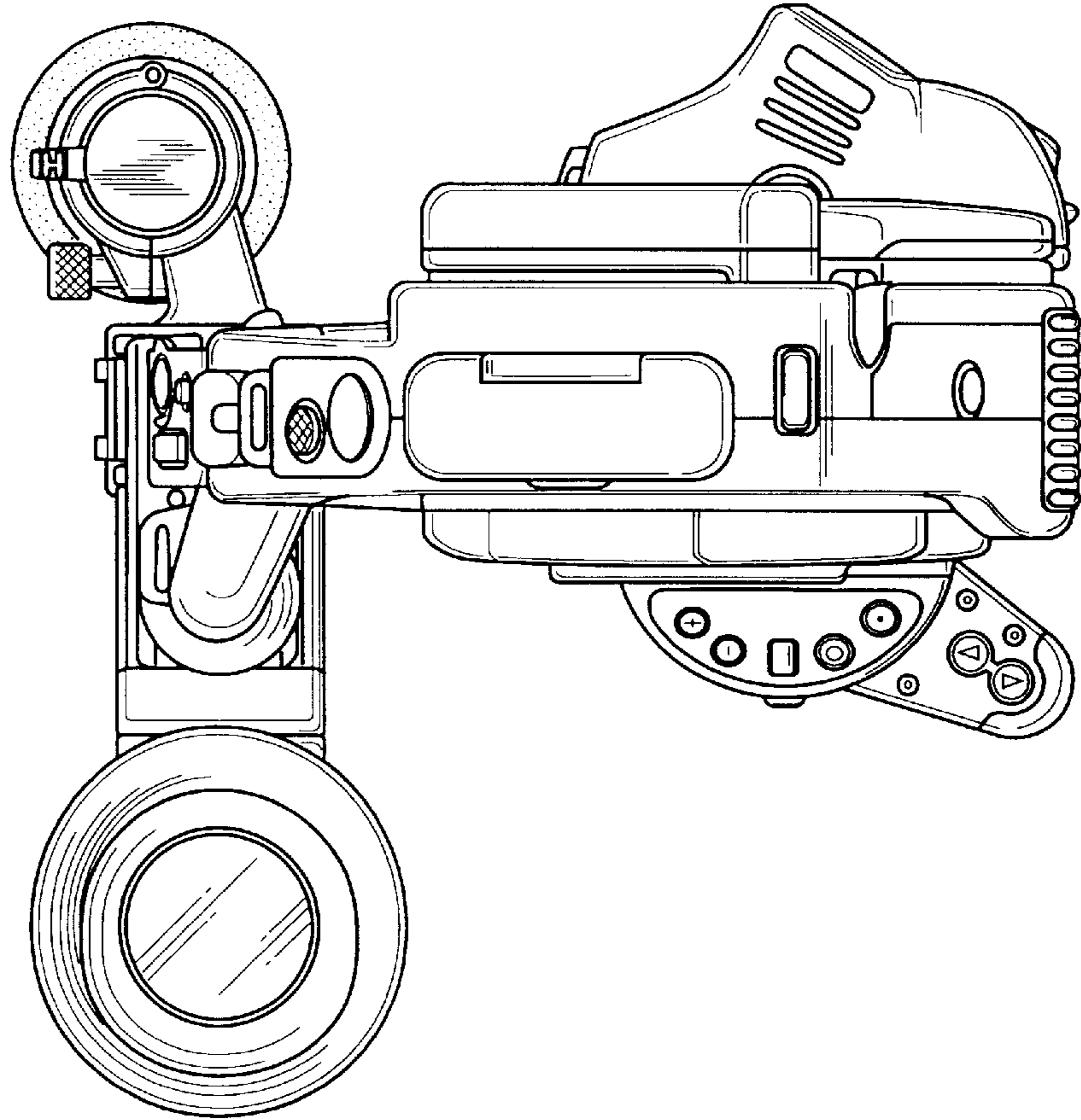


FIG. 1

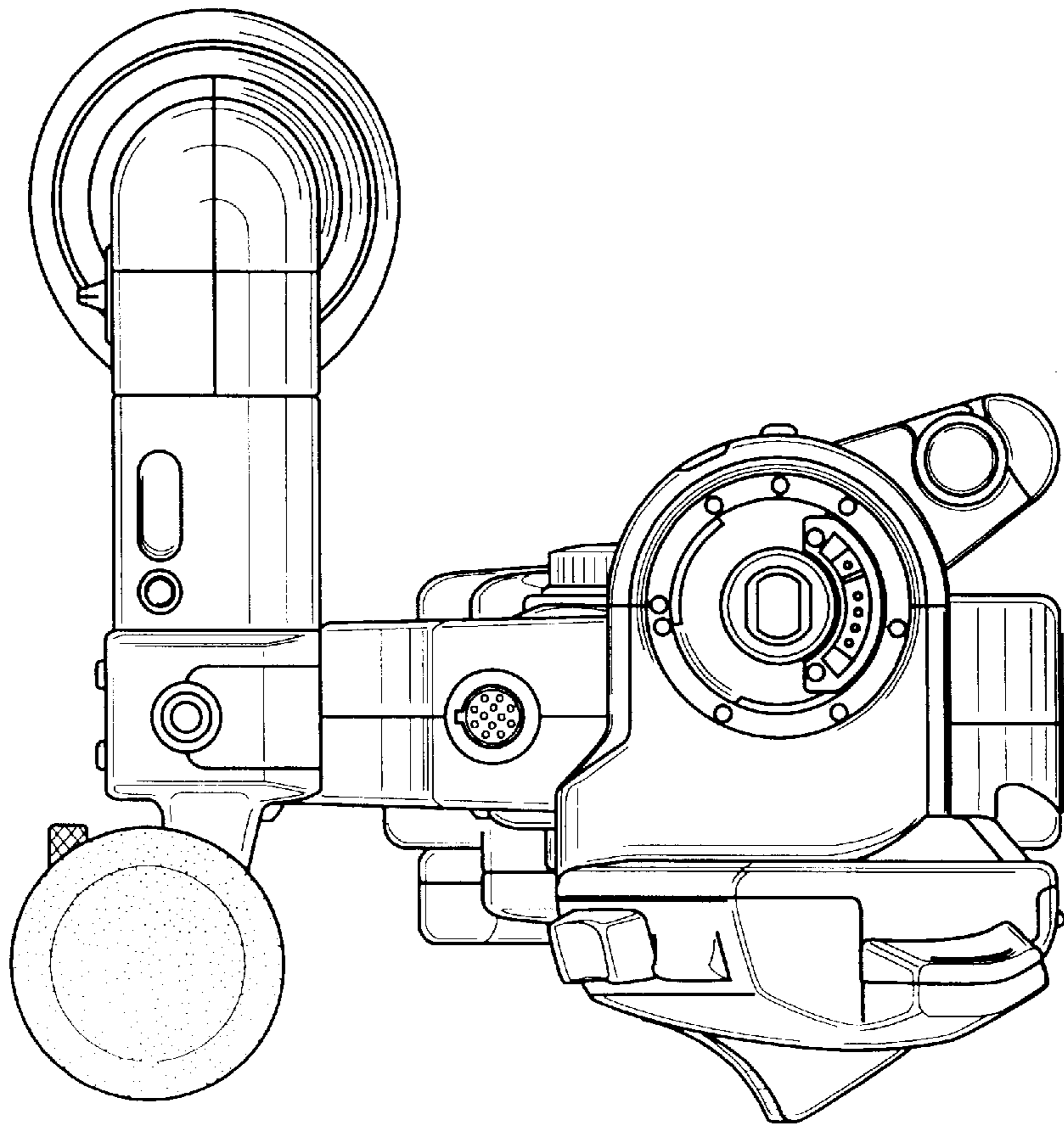


FIG. 3

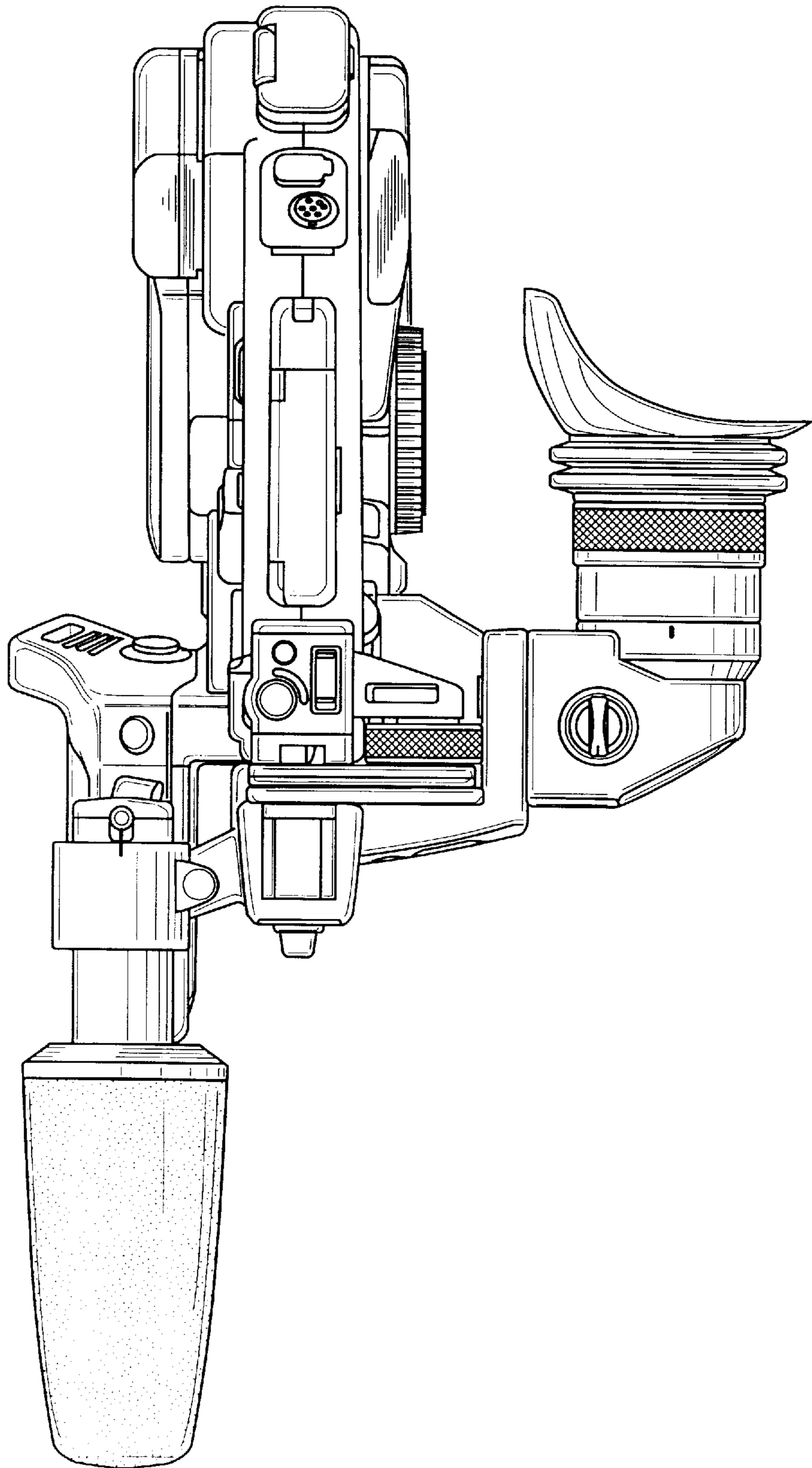


FIG. 4

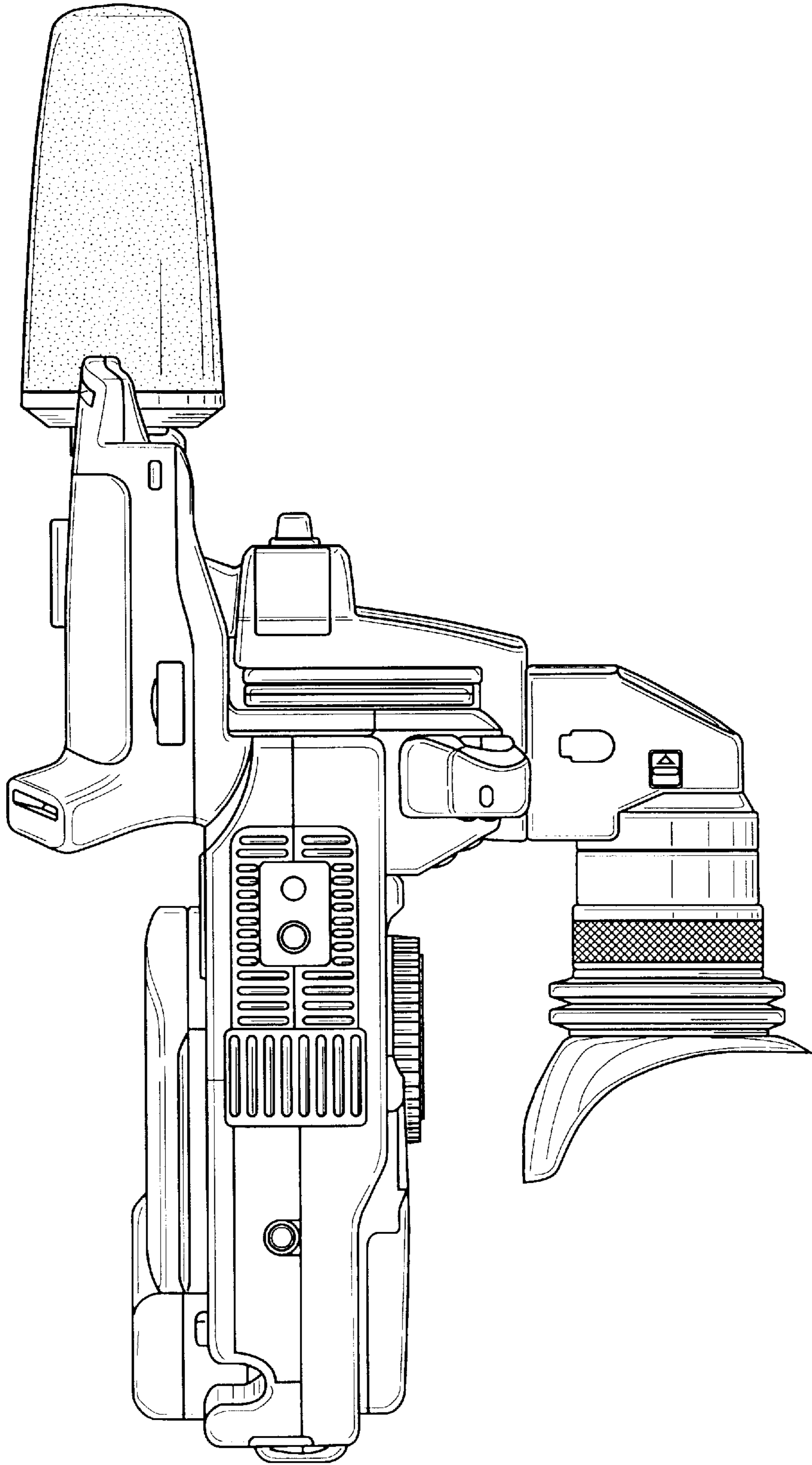


FIG. 5

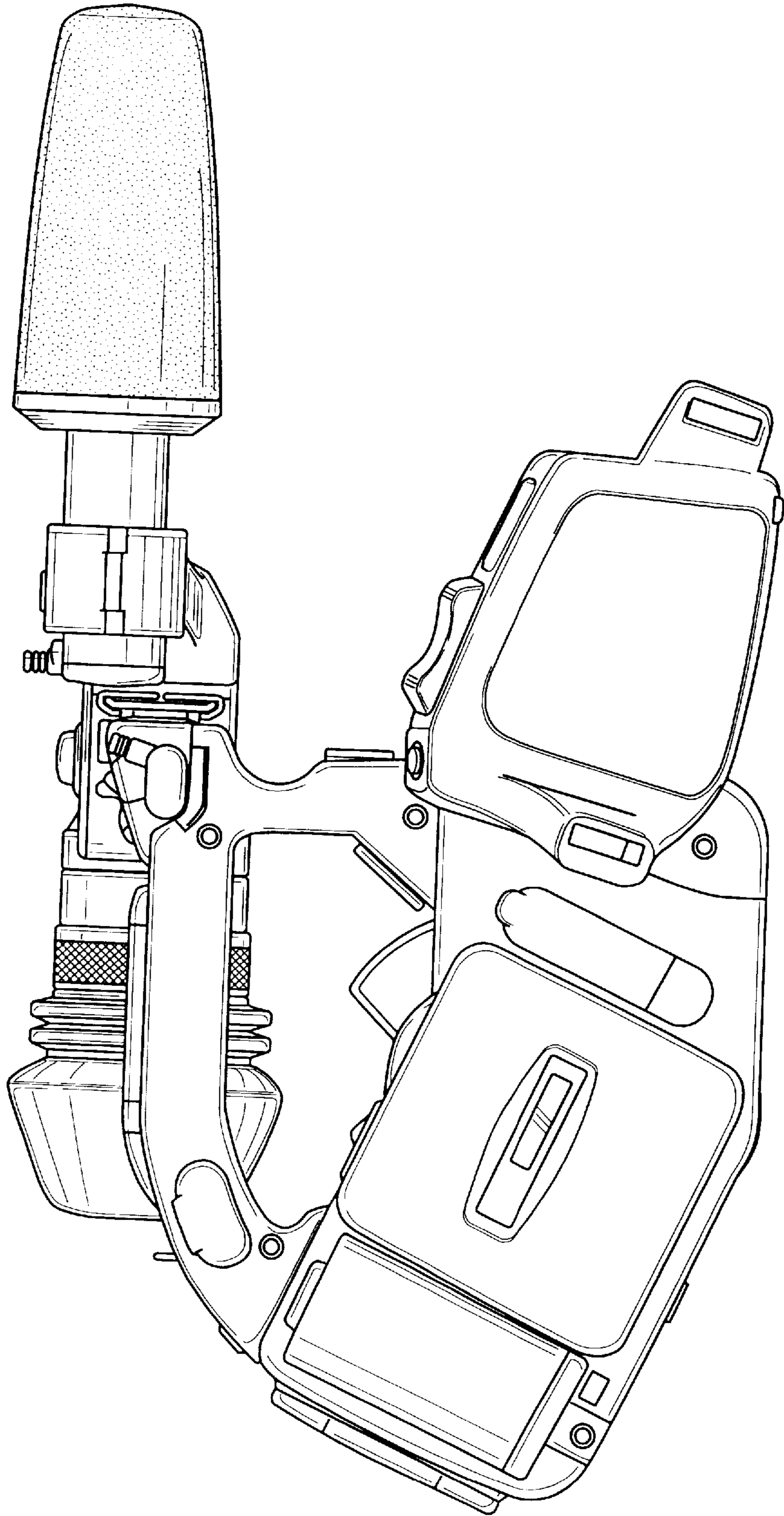


FIG. 6

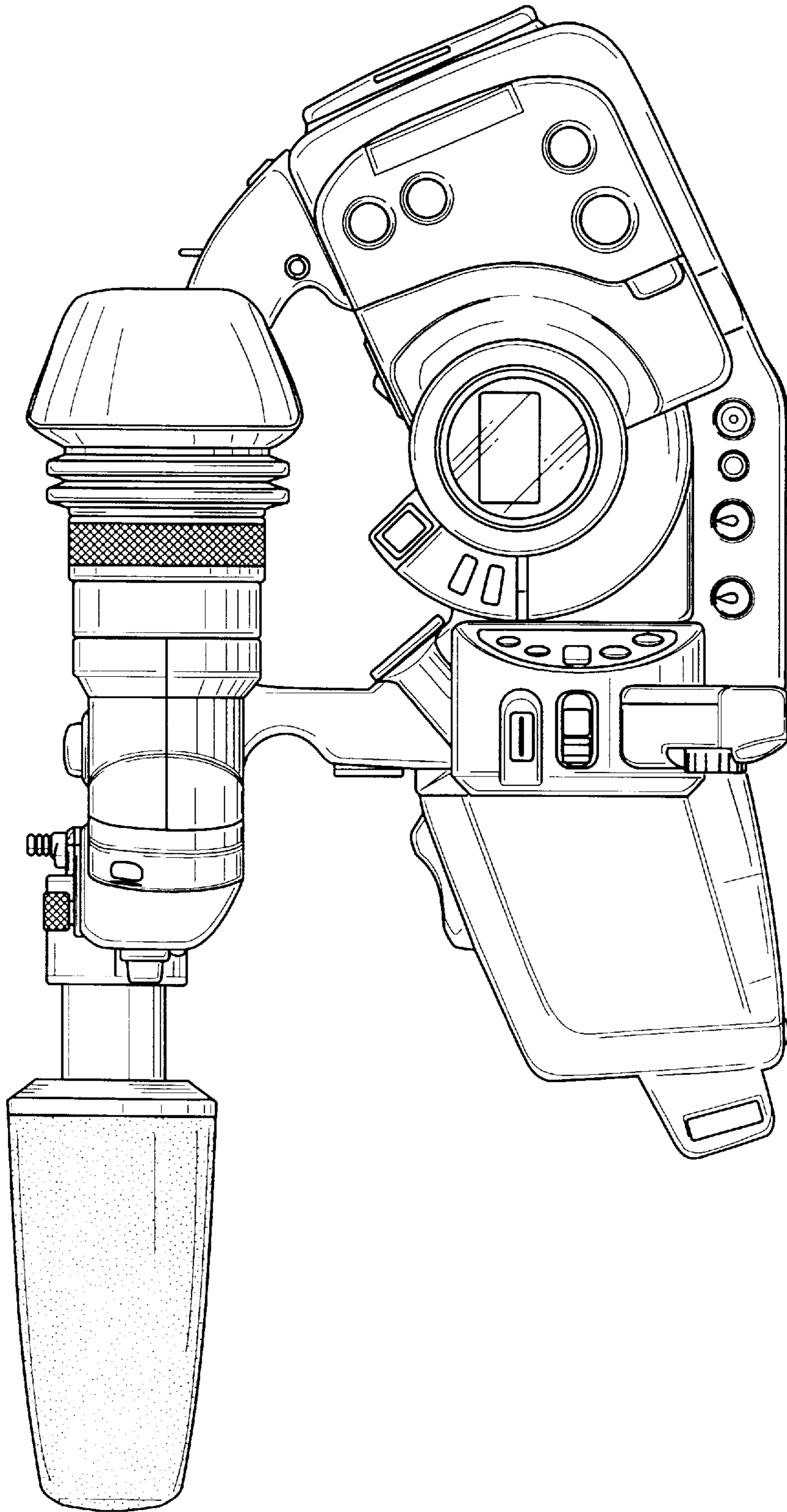


FIG. 7

