



US00D407725S

United States Patent [19]
Ceroll et al.

[11] **Patent Number: Des. 407,725**
[45] **Date of Patent: **Apr. 6, 1999**

[54] **BASE FOR A TABLE SAW**

[58] **Field of Search** D15/133; 83/662,
83/782-786

[75] **Inventors:** Warren A. Ceroll, Owings Mills;
Robert S. Gehret, Hampstead; Daniel
Puzio, Baltimore; Frederick R. Bean,
Finksburg; Michael L. O'Banion,
Westminster, all of Md.; David A.
Porter, Hanover, Pa.; Daniel A.
Ferrara, Jr., Bantam, Conn.

[56] **References Cited**
U.S. PATENT DOCUMENTS

D. 394,071 5/1998 Ceroll et al. D15/133

Primary Examiner—Antoine Duval Davis
Attorney, Agent, or Firm—Adan Ayala

[73] **Assignee:** Black & Decker Inc., Newark, Del.

[57] **CLAIM**

[**] **Term:** 14 Years

The ornamental design for a base for a table saw, as shown
and described.

[21] **Appl. No.:** 90,751

DESCRIPTION

[22] **Filed:** Jul. 15, 1998

FIG. 1 is a front elevational view of an embodiment of a base
for a table saw showing our new design;
FIG. 2 is a right side elevational view of the embodiment;
FIG. 3 is a rear elevational view of the embodiment;
FIG. 4 is a left side elevational view of the embodiment; and,
FIG. 5 is a perspective view of the embodiment.

Related U.S. Application Data

In the above drawings, any broken line illustration is not part
of the design sought to be patented. In addition, any views
not shown thereof do not form a part of the invention.

[63] Continuation of Ser. No. 83,053, Jan. 20, 1998, which is a
continuation of Ser. No. 070,477, May 8, 1997, Pat. No. Des.
395,322, which is a continuation of Ser. No. 57,853, Aug. 1,
1996, Pat. No. Des. 394,071, which is a continuation of Ser.
No. 51,851, Mar. 1, 1996, abandoned.

[51] **LOC (6) Cl.** 15-09

1 Claim, 5 Drawing Sheets

[52] **U.S. Cl.** D15/133

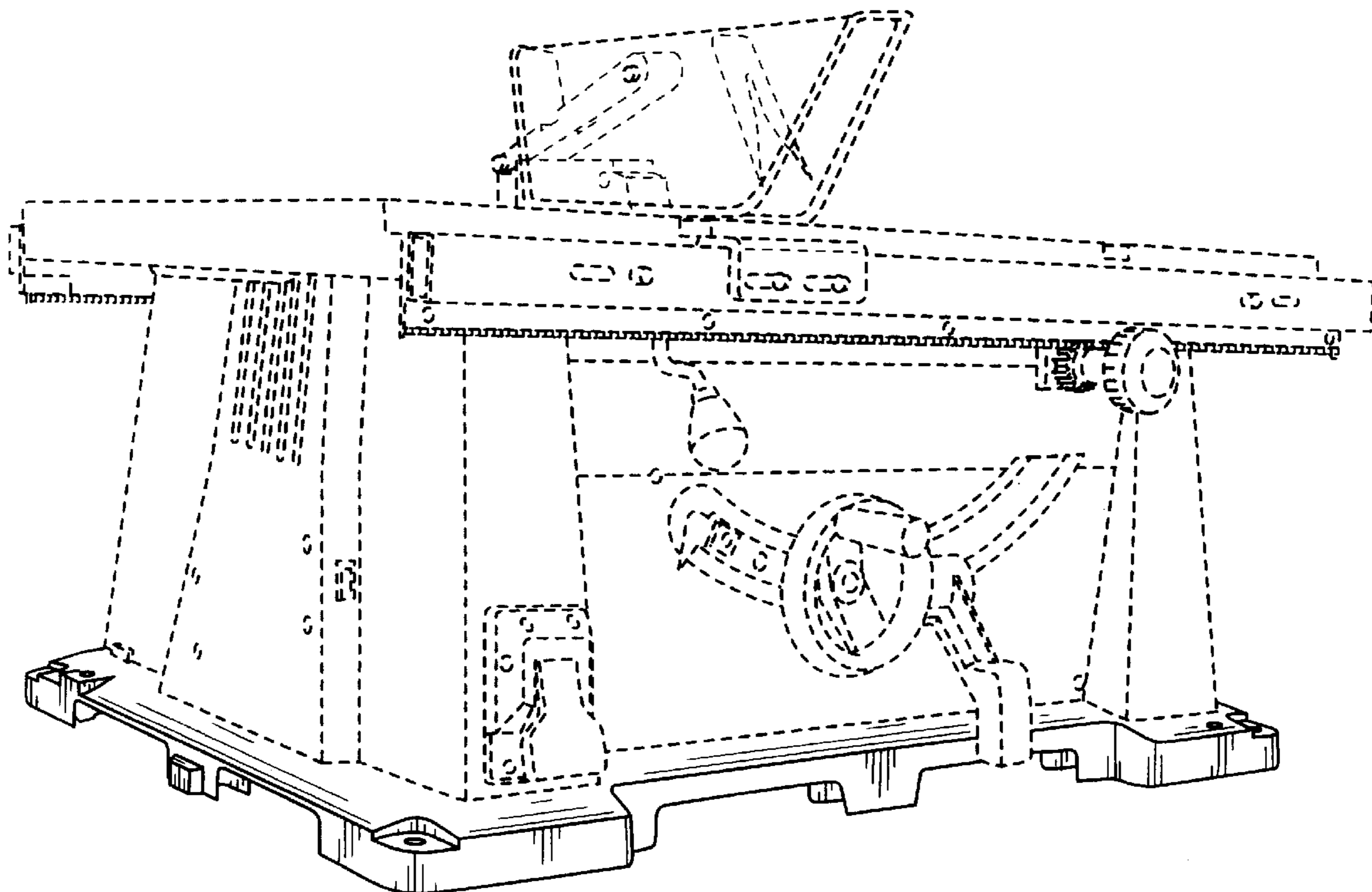


FIG. 1

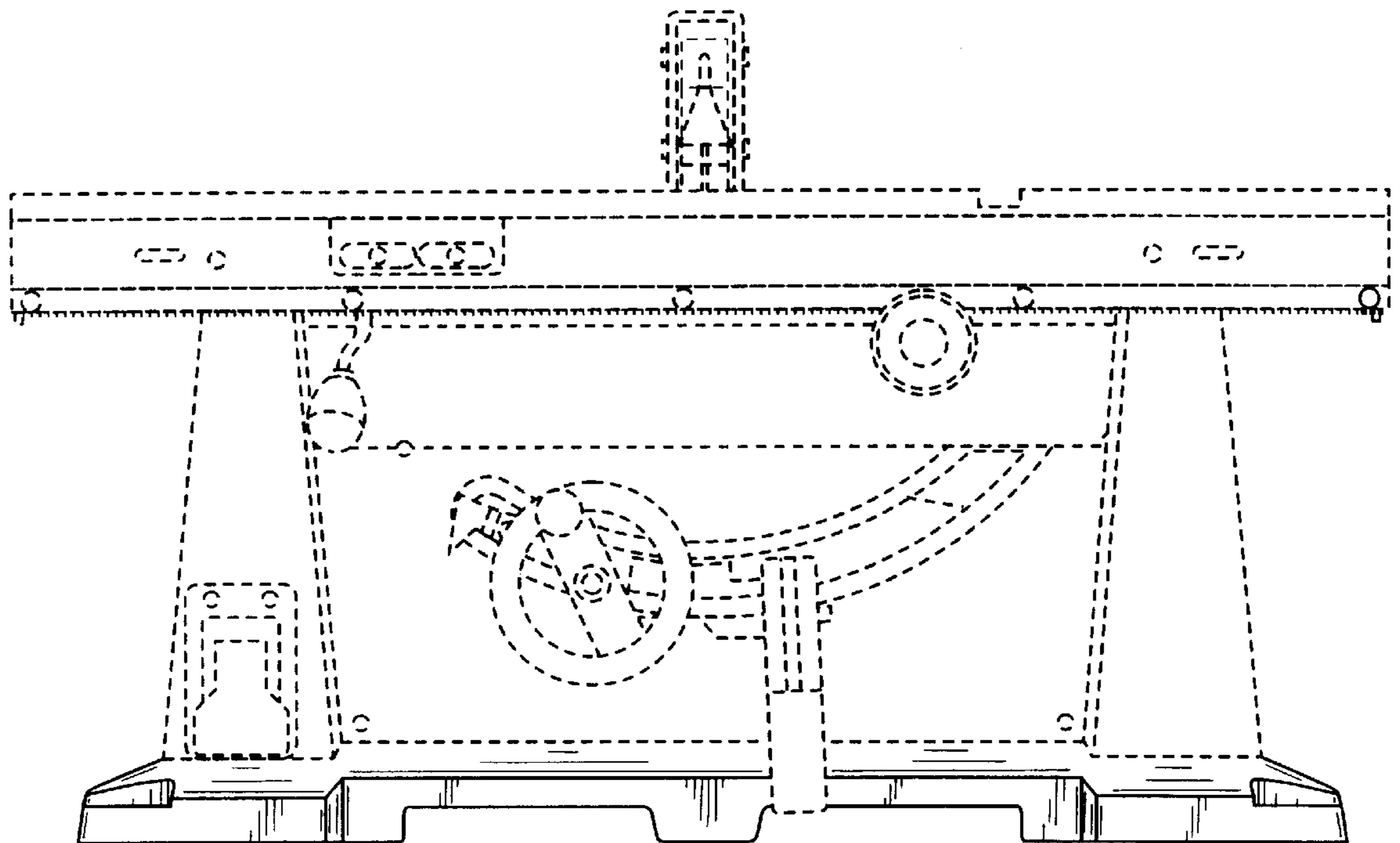


FIG. 2

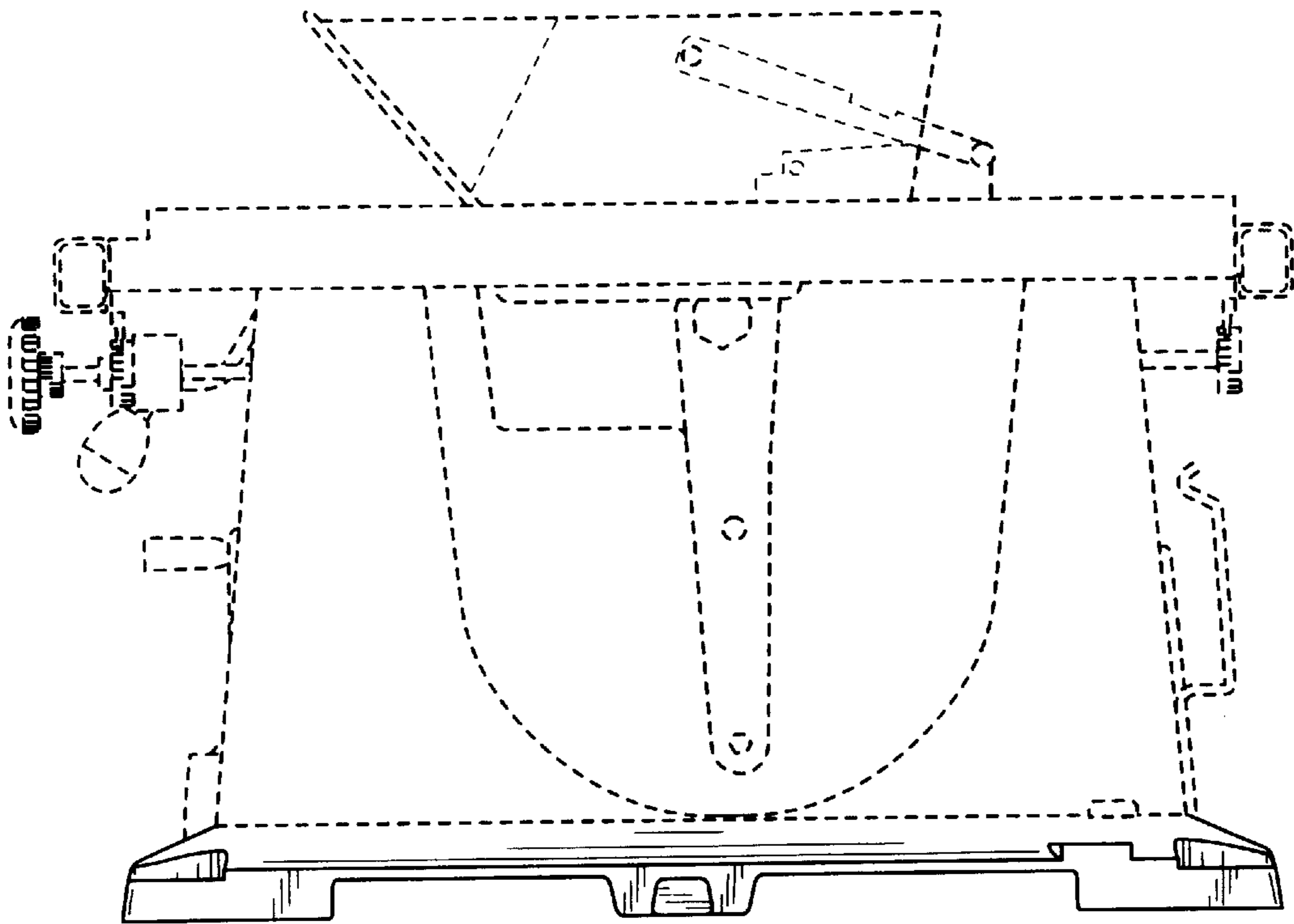


FIG. 3

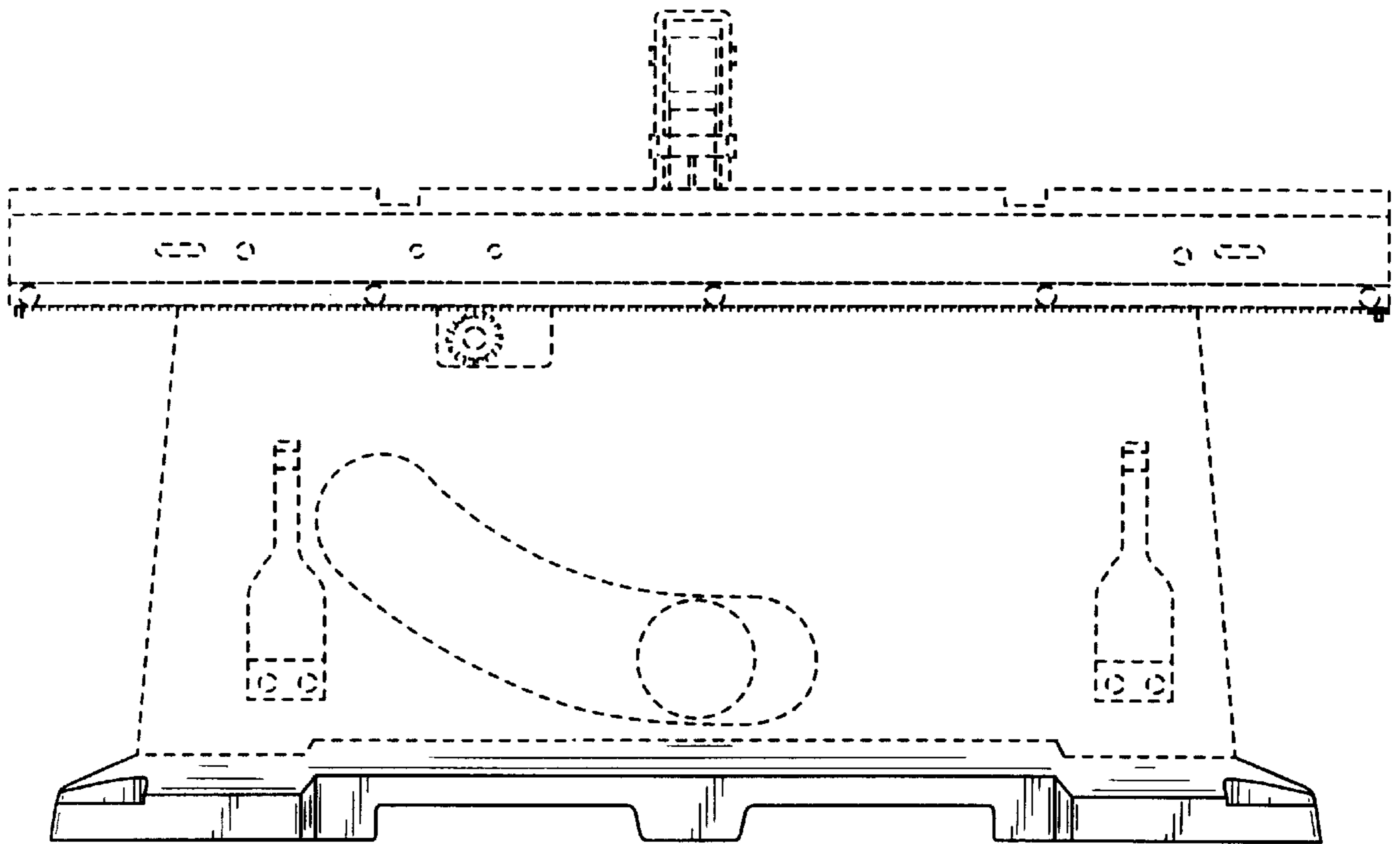


FIG. 4

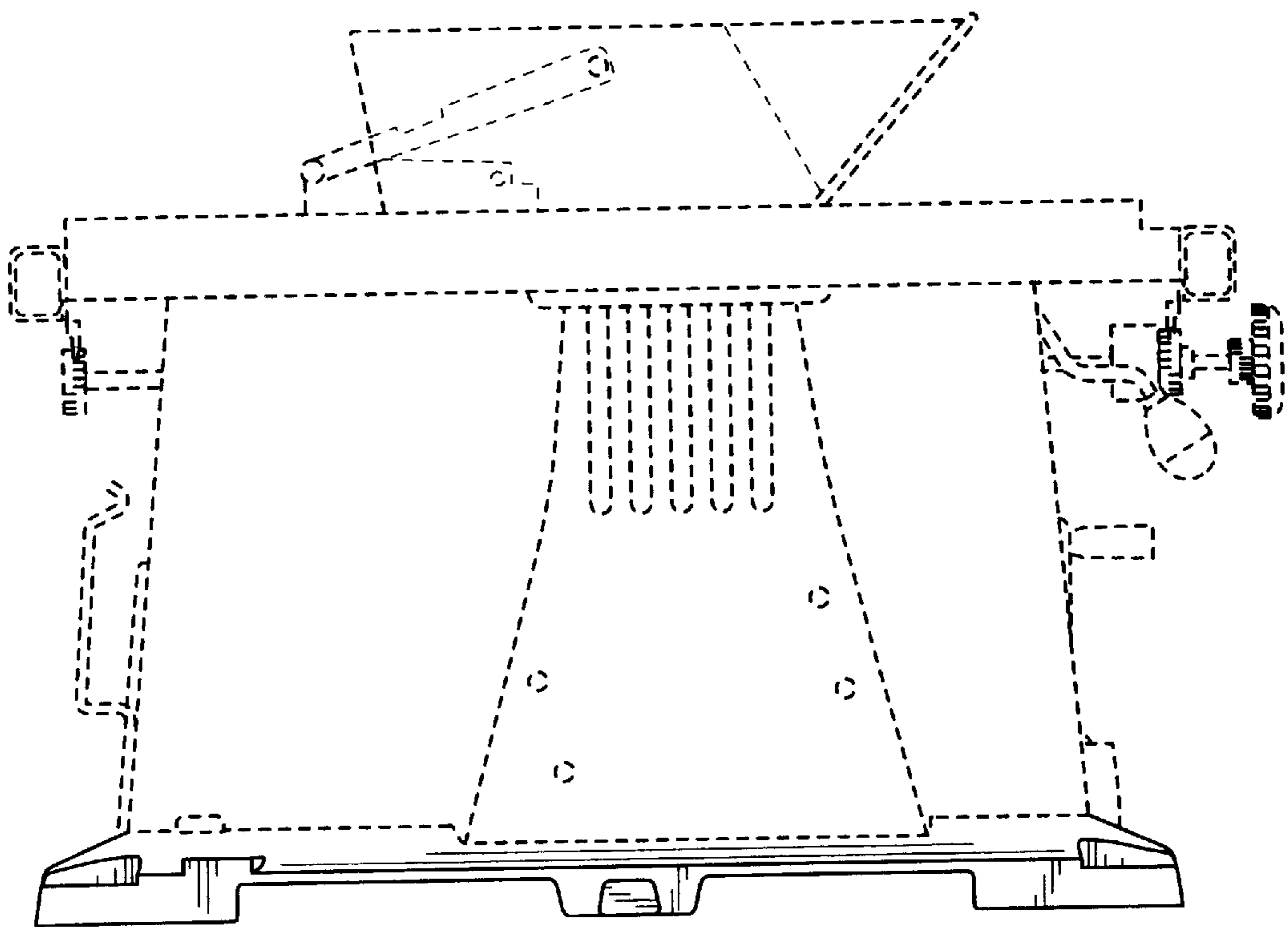


FIG. 5

