



US00D407724S

United States Patent [19]

Marshall et al.

[11] Patent Number: **Des. 407,724**

[45] Date of Patent: ****Apr. 6, 1999**

[54] **TUBE SQUARING TOOL**

5,605,084 2/1997 Pierce .

5,671,646 9/1997 Sandford et al. .

[75] Inventors: **Mark A. Marshall**, El Dorado Hills;
Marty E. Pound, Elk Grove, both of Calif.

OTHER PUBLICATIONS

Tri Tool Brochure (1995) describing Model 302 Tube Squarer.

[73] Assignee: **Tri Tool Inc.**, Rancho Cordova, Calif.

Primary Examiner—Antoine Duval Davis
Attorney, Agent, or Firm—Bacon & Thomas, PLLC

[**] Term: **14 Years**

[57] CLAIM

[21] Appl. No.: **79,211**

The ornamental design for a tube squaring tool, as shown and described.

[22] Filed: **Nov. 14, 1997**

[51] **LOC (6) Cl.** **15-09**

DESCRIPTION

[52] **U.S. Cl.** **D15/130**

[58] **Field of Search** D15/130; 82/113,
82/128; 408/104, 105, 136, 124

FIG. 1 is an upper left perspective view of the tube squaring tool showing our new design;

FIG. 2 is a front elevation view thereof;

FIG. 3 is a left side elevation view thereof;

FIG. 4 is a rear elevation view thereof;

FIG. 5 is a right side elevation view thereof;

FIG. 6 is a top plan view thereof; and,

FIG. 7 is a bottom view thereof.

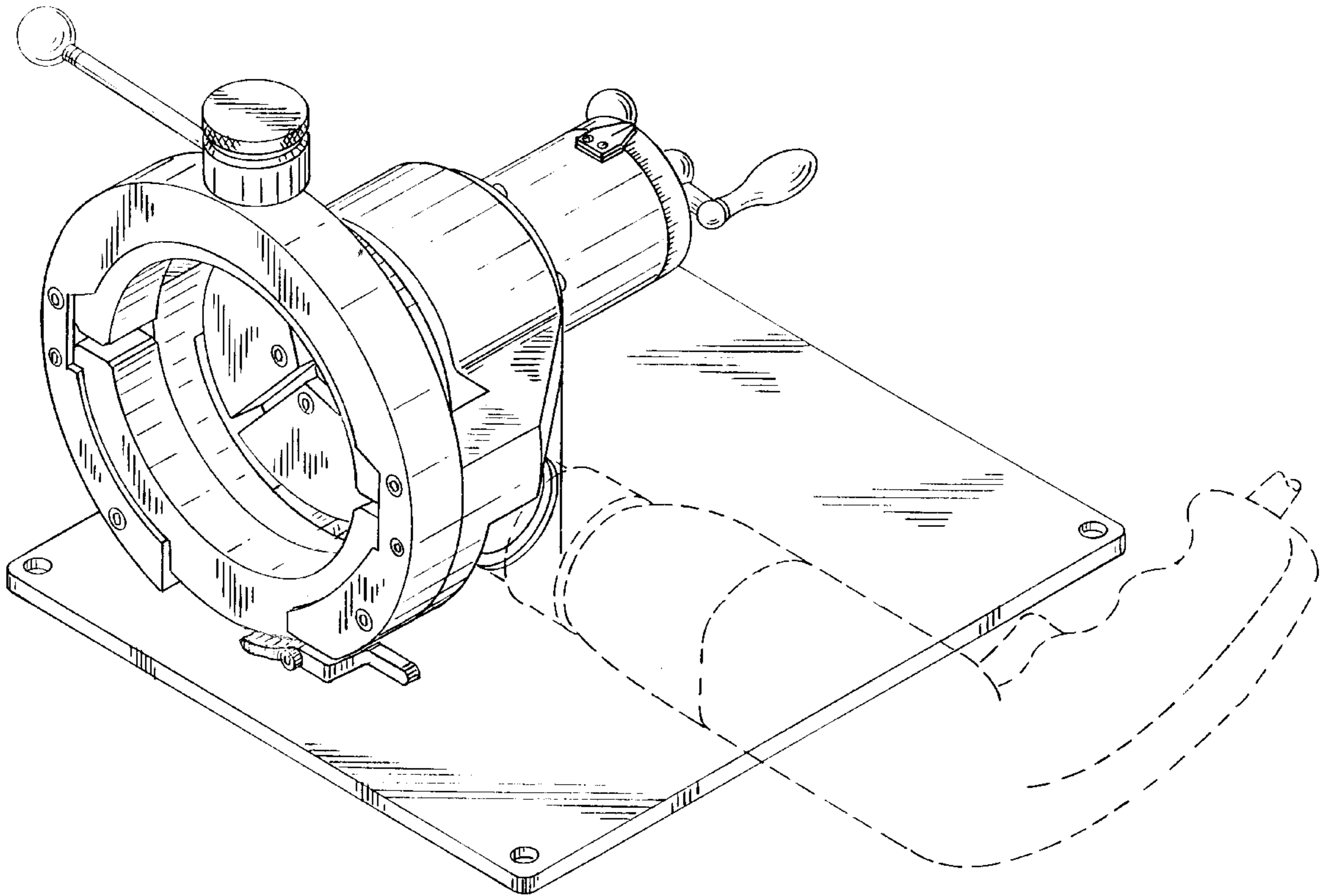
The broken line showing is for illustrative purposes only and forms no part of the claimed design.

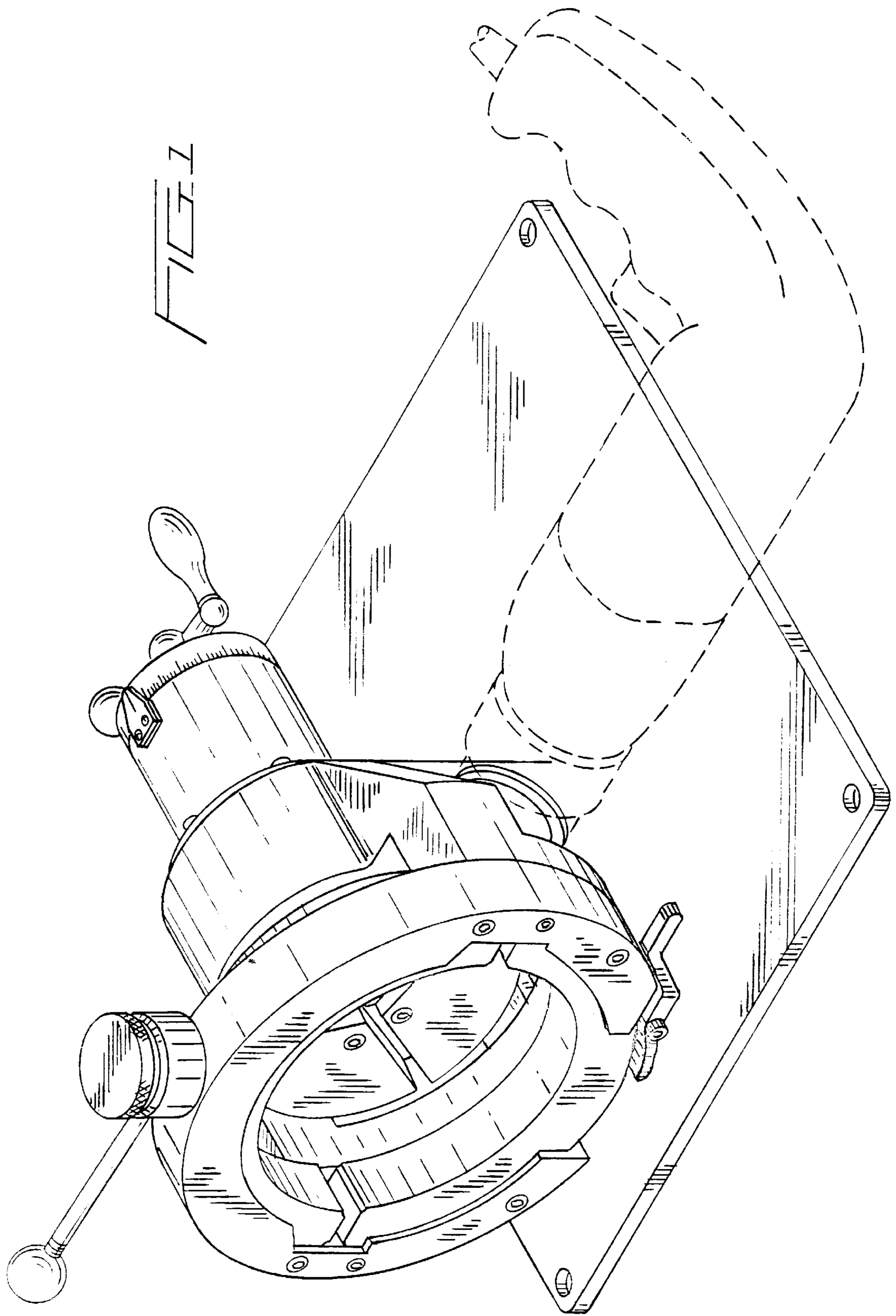
[56] References Cited

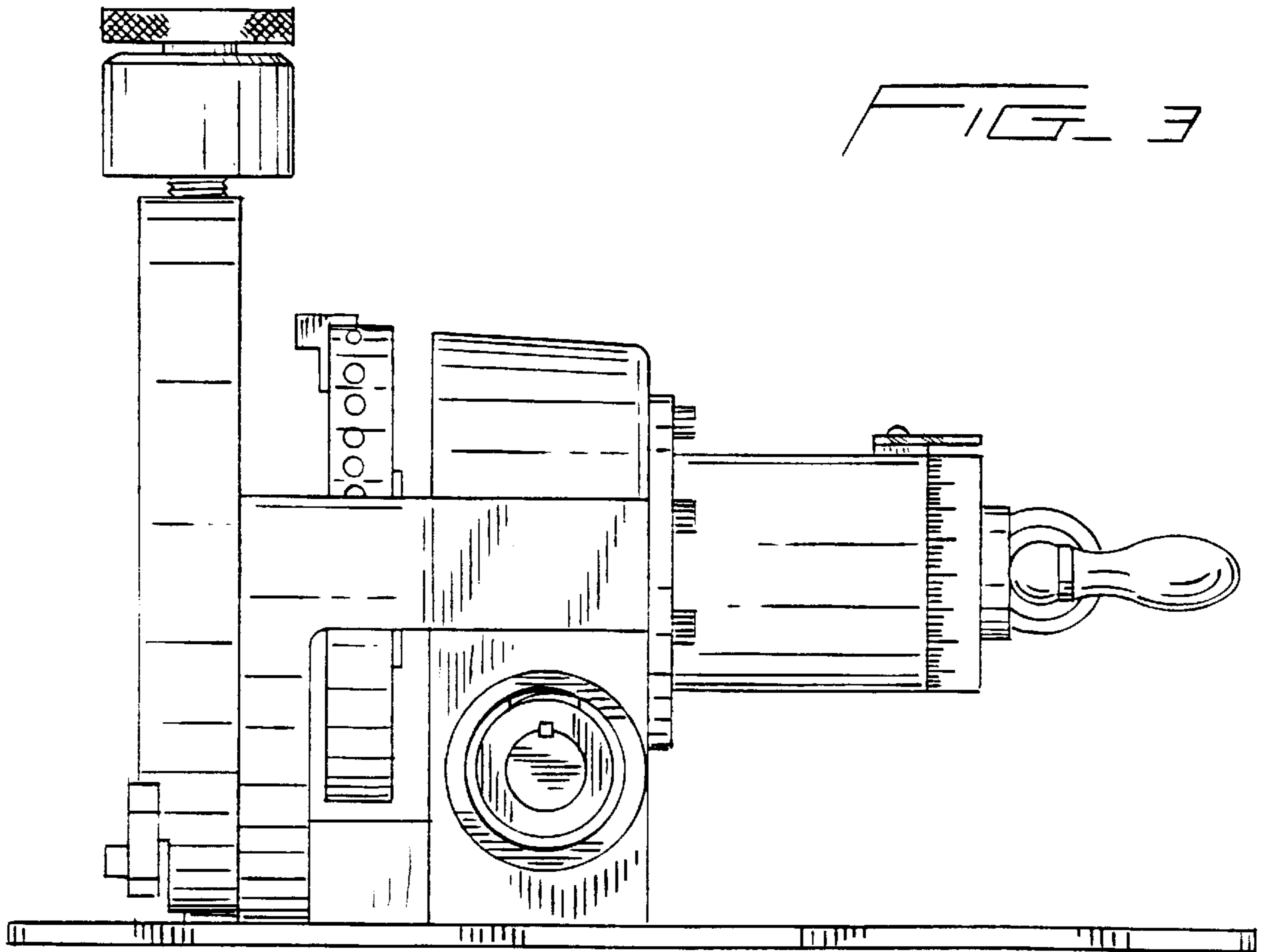
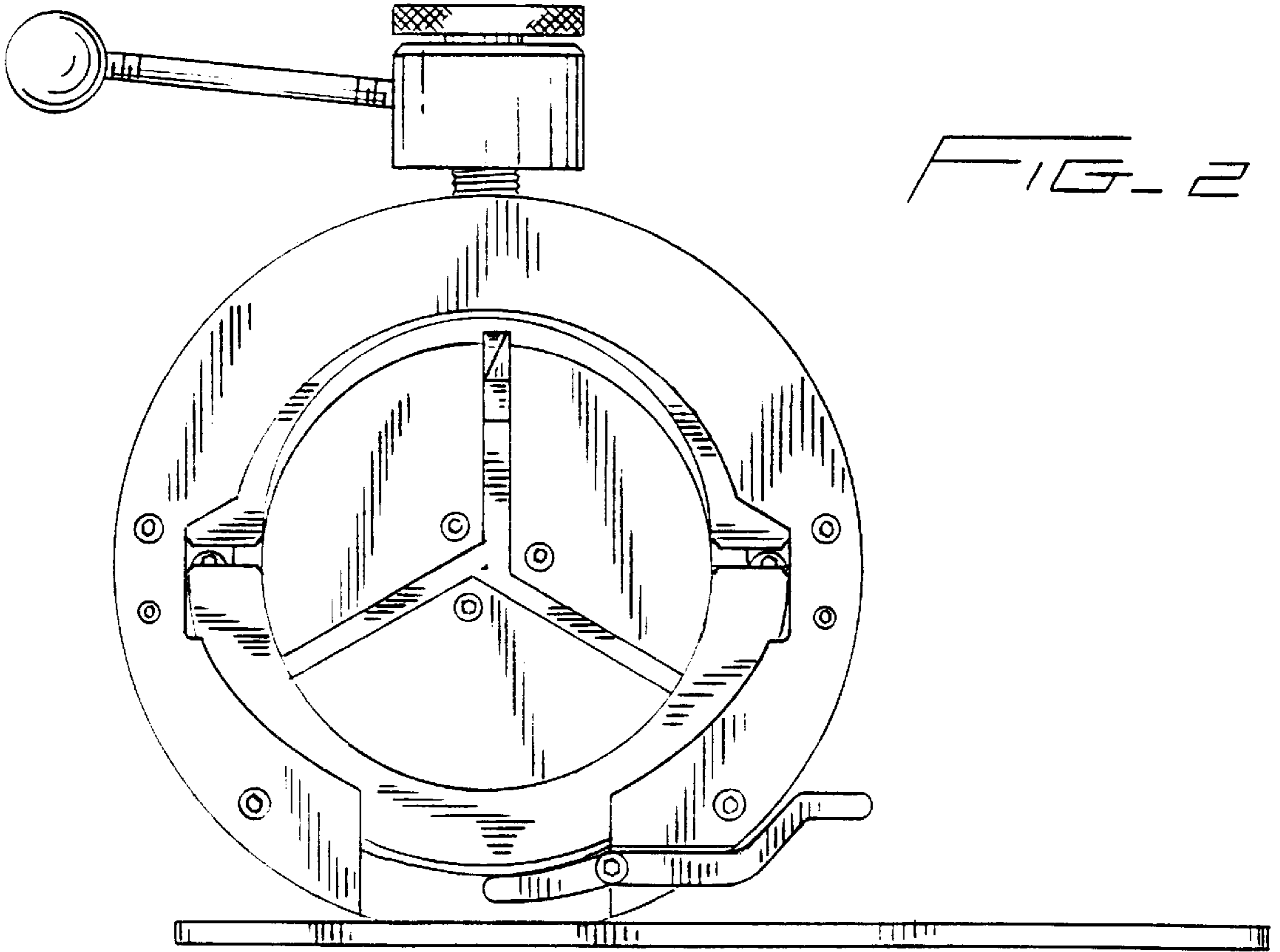
U.S. PATENT DOCUMENTS

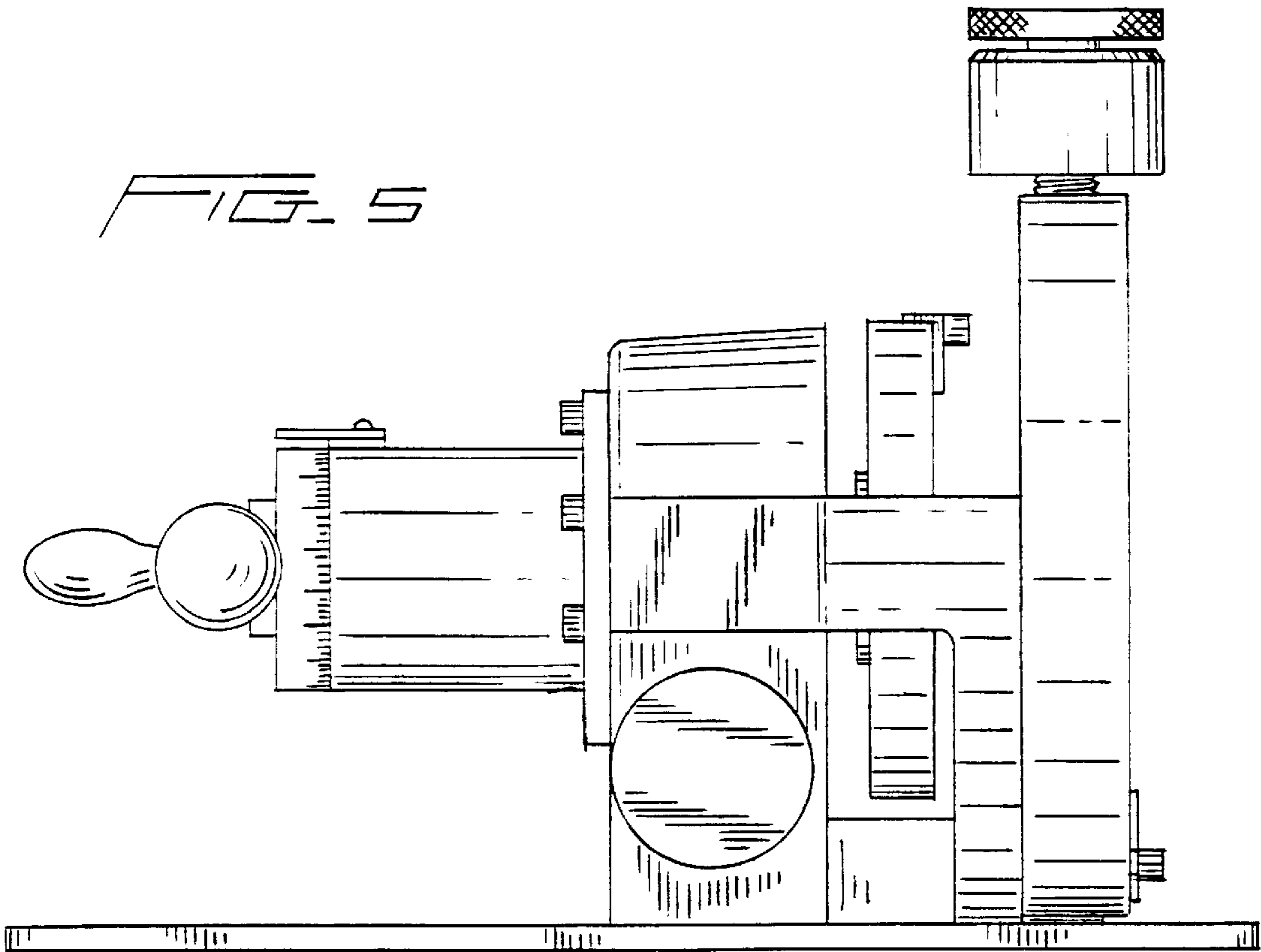
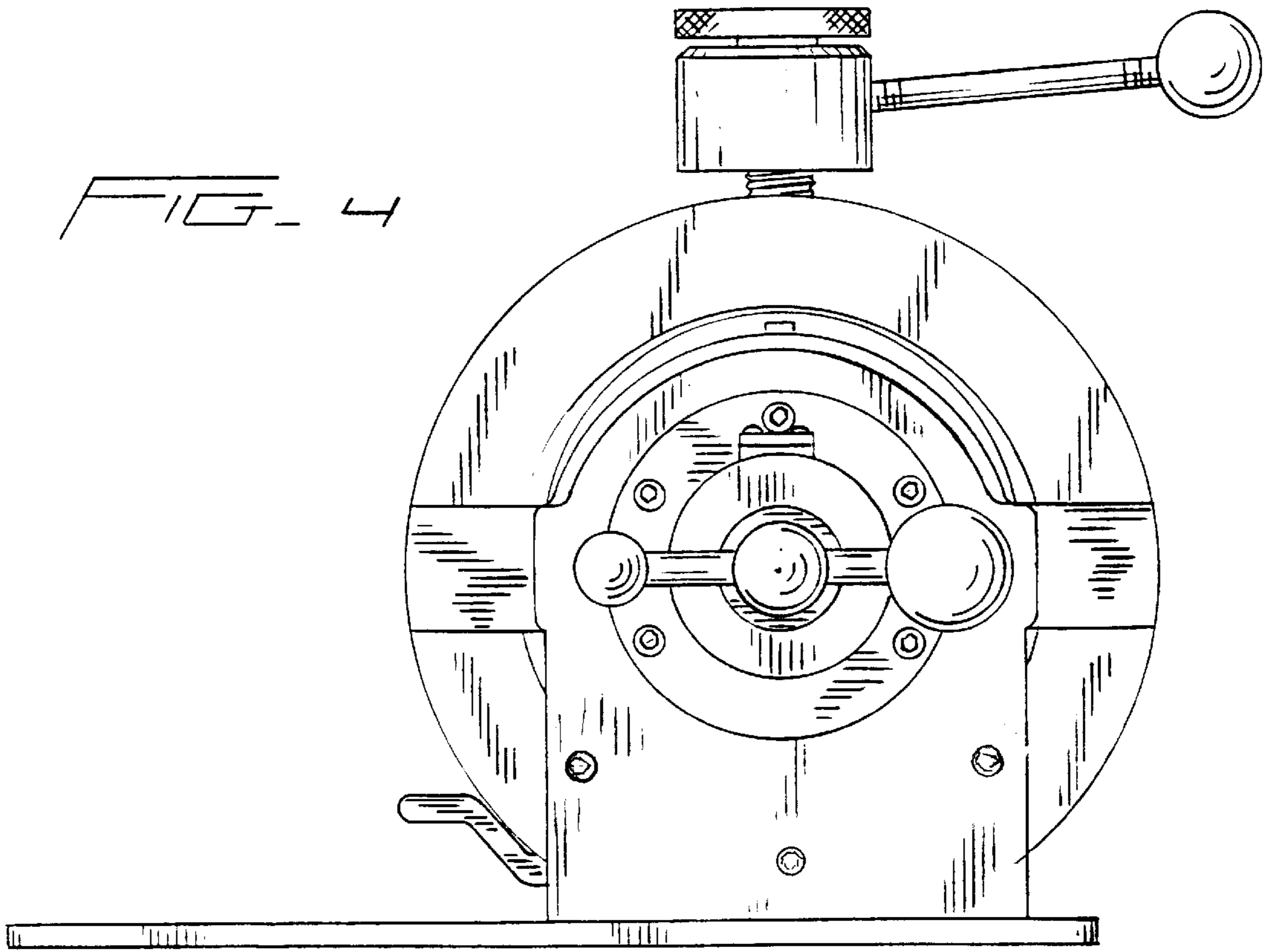
D. 383,960	9/1997	Sandford et al. .	
3,875,831	4/1975	Beauloye .	
4,319,503	3/1982	Saine et al. .	
4,486,129	12/1984	Vowel .	
4,739,682	4/1988	Birkestrand .	
5,605,083	2/1997	Lupke et al.	82/113 X

1 Claim, 5 Drawing Sheets









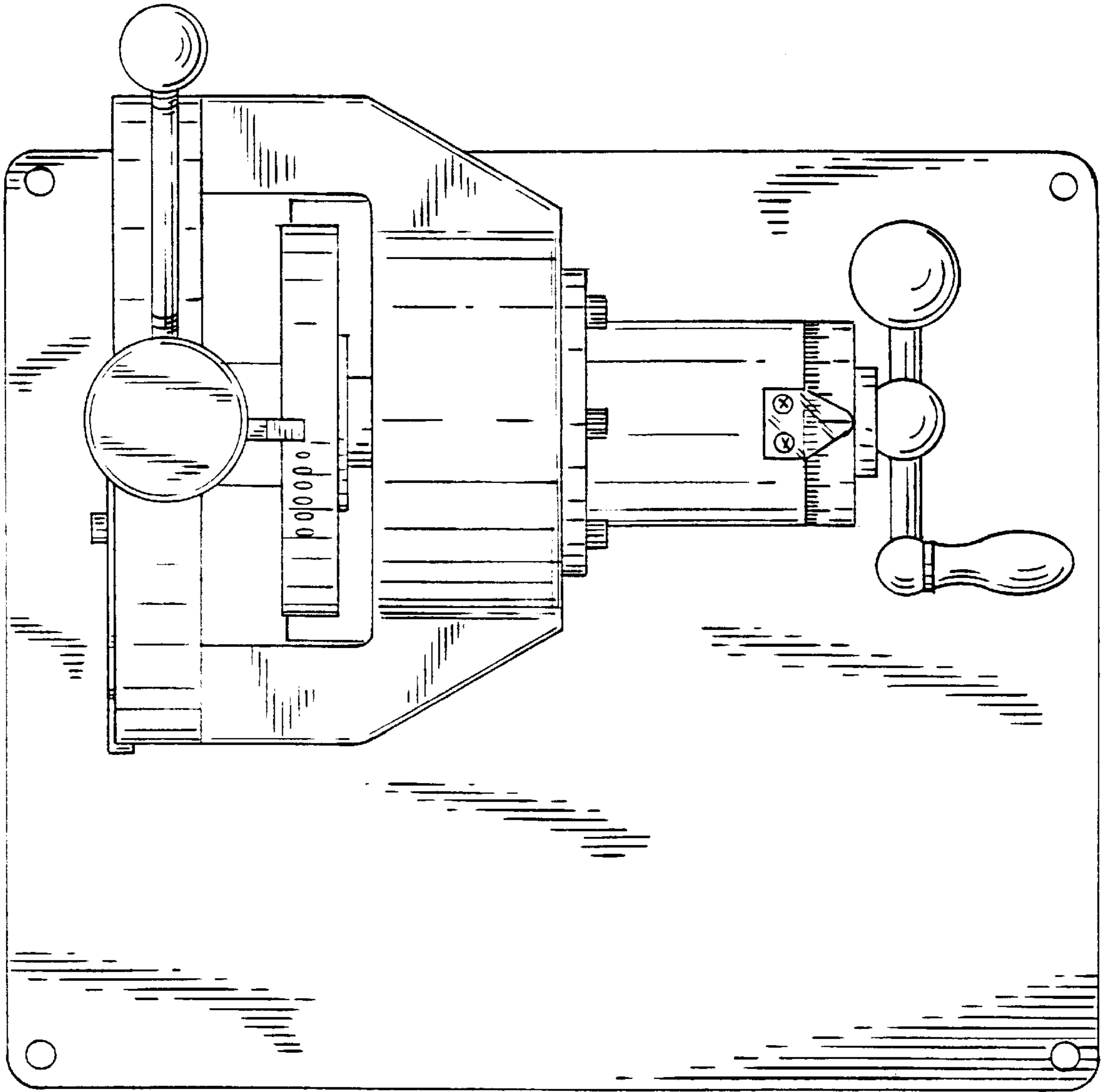


FIG. 6

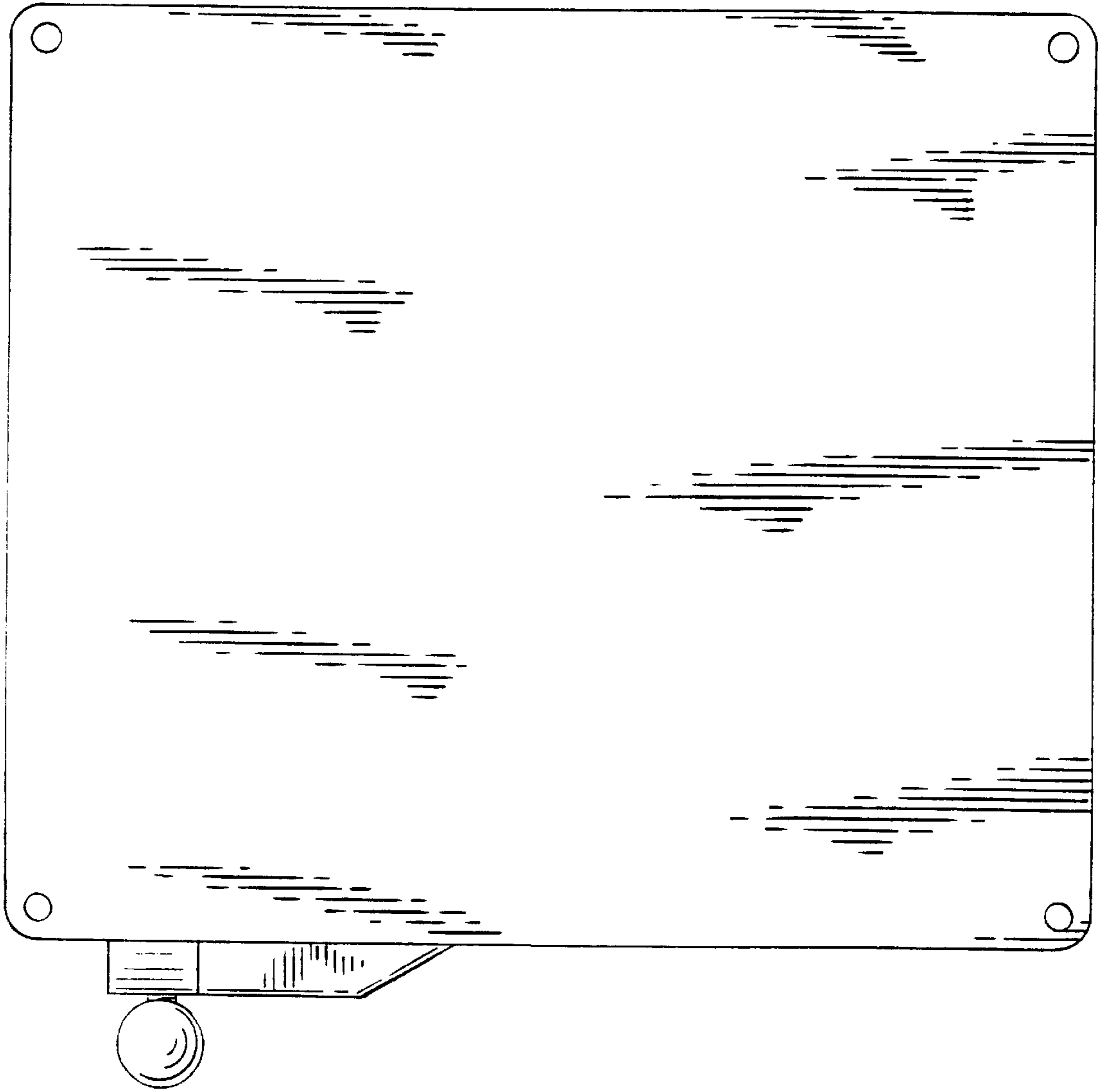


FIG. 7