

US00D407723S

United States Patent [19]

Weisman et al.

[11] Patent Number: **Des. 407,723**

[45] Date of Patent: ****Apr. 6, 1999**

[54] SNOW PLOW

2,769,612	11/1956	Weisheit	294/59 X
2,852,872	9/1958	Benz	294/59 X
3,643,356	2/1972	Gohl	294/59 X

[76] Inventors: **David G. Weisman; Grace G. Weisman**, both of Breezewood Condo N-2, 101 Grand Plaza Dr., Orange City, Fla. 32763

Primary Examiner—Holly Baynham
Attorney, Agent, or Firm—Harpman & Harpman

[**] Term: **14 Years**

[57] CLAIM

[21] Appl. No.: **50,764**

We claim the ornamental design for a snow plow, as shown and described.

[22] Filed: **Feb. 26, 1996**

DESCRIPTION

[51] LOC (6) Cl. **08-05**

FIG. 1 is a front, top and side perspective view of the snow plow embodying the design of the present invention; FIG. 2 is a front elevational view thereof; FIG. 3 is a rear elevational view thereof; FIG. 4 is a side elevational view thereof; FIG. 5 is a top plan view thereof; and, FIG. 6 is a bottom plan view thereof.

[52] U.S. Cl. **D15/11; D8/10**

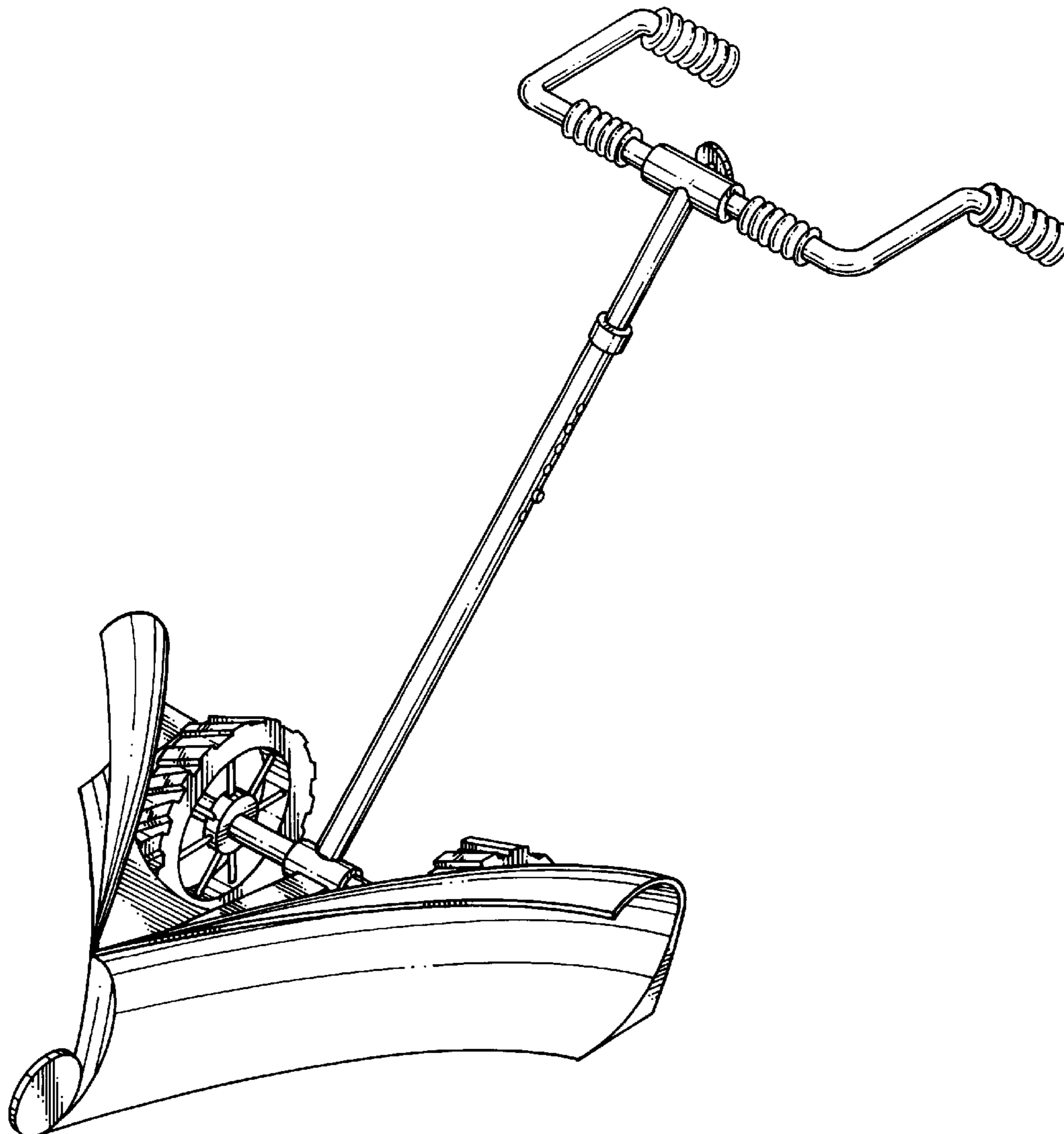
[58] Field of Search D8/10; D15/11;
294/59; 37/272, 274, 276

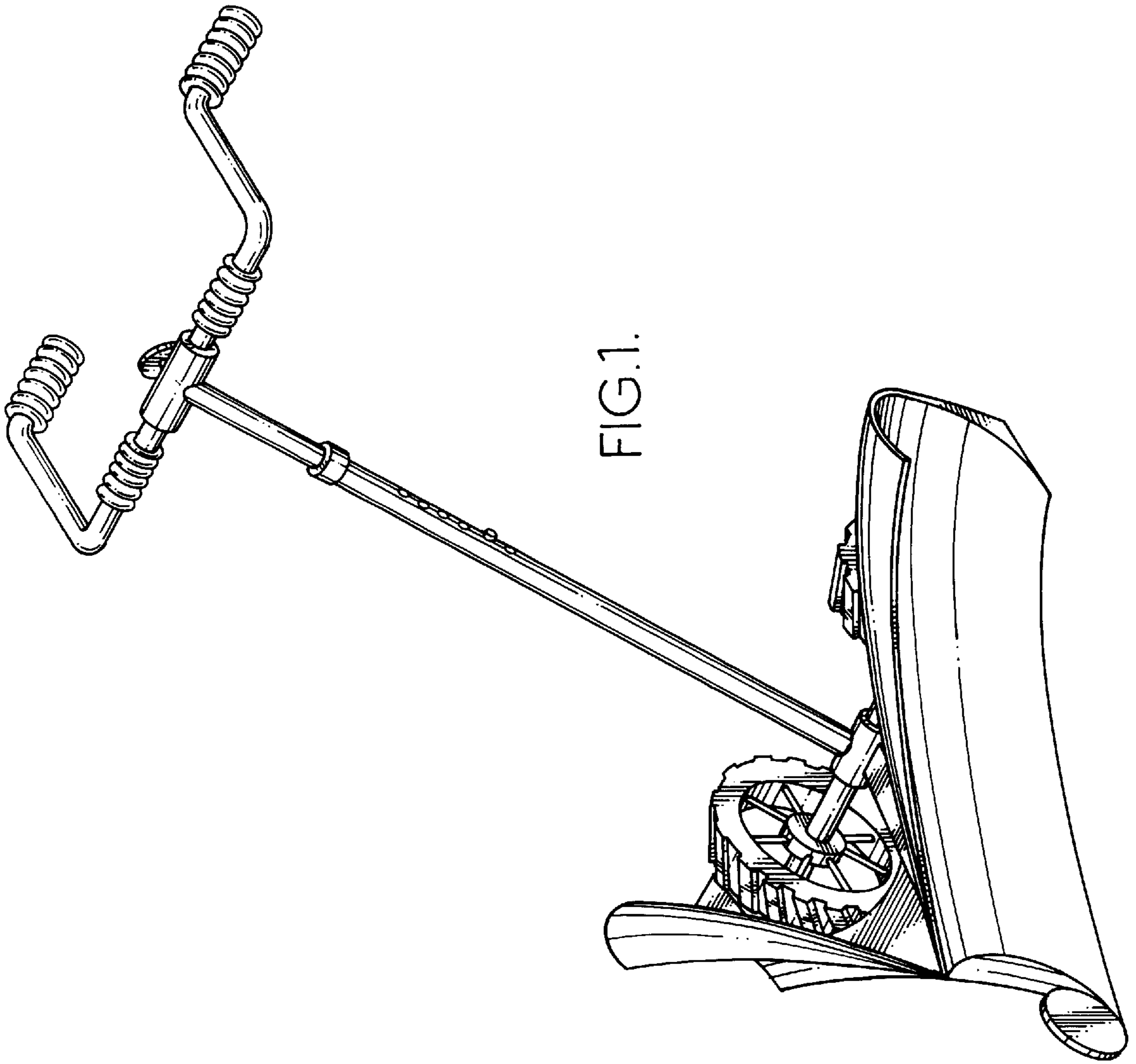
[56] References Cited

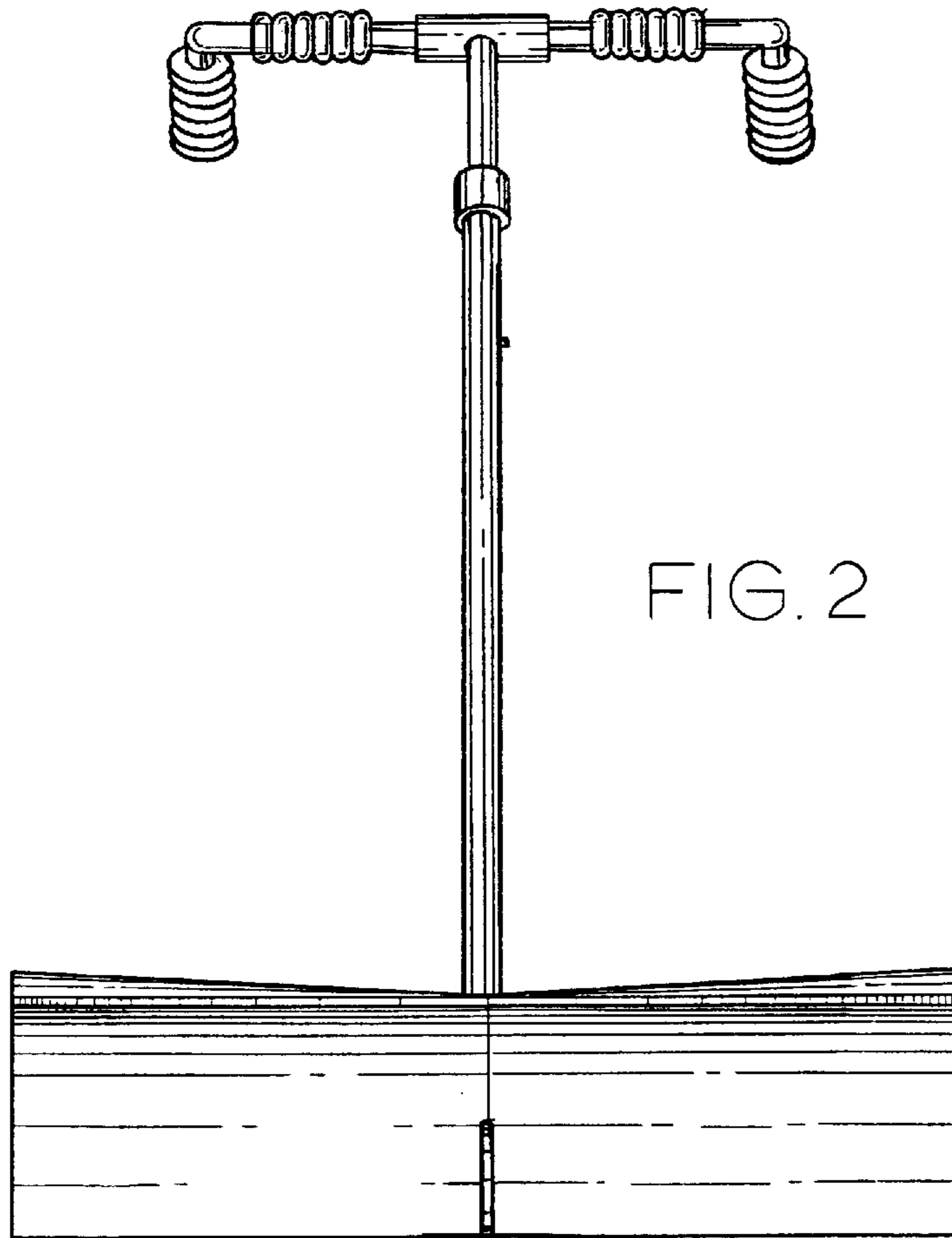
U.S. PATENT DOCUMENTS

D. 190,820	4/1961	O'Connor	D15/11
D. 310,225	8/1990	Eberle	D15/11

1 Claim, 5 Drawing Sheets







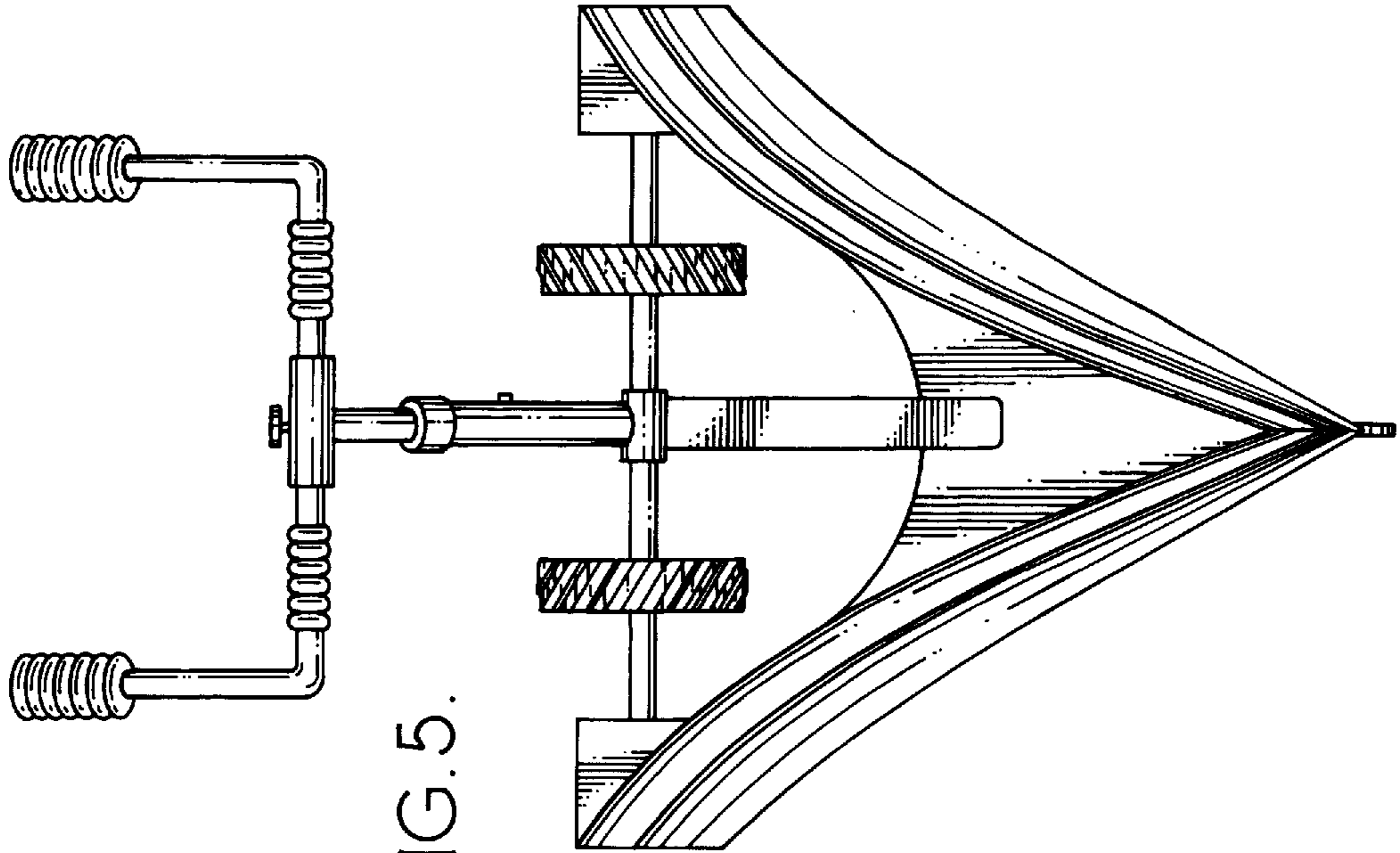


FIG. 5.

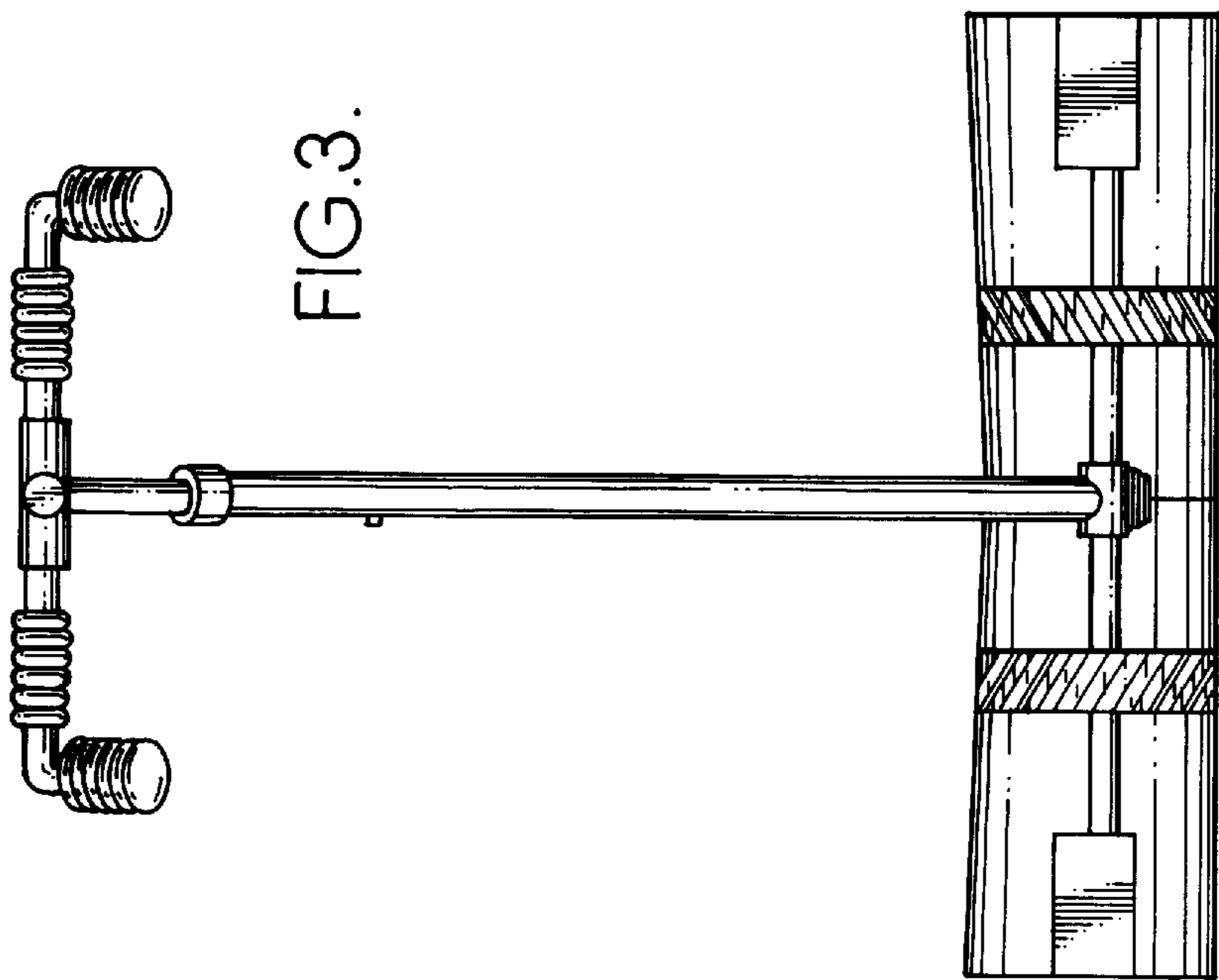


FIG. 3.

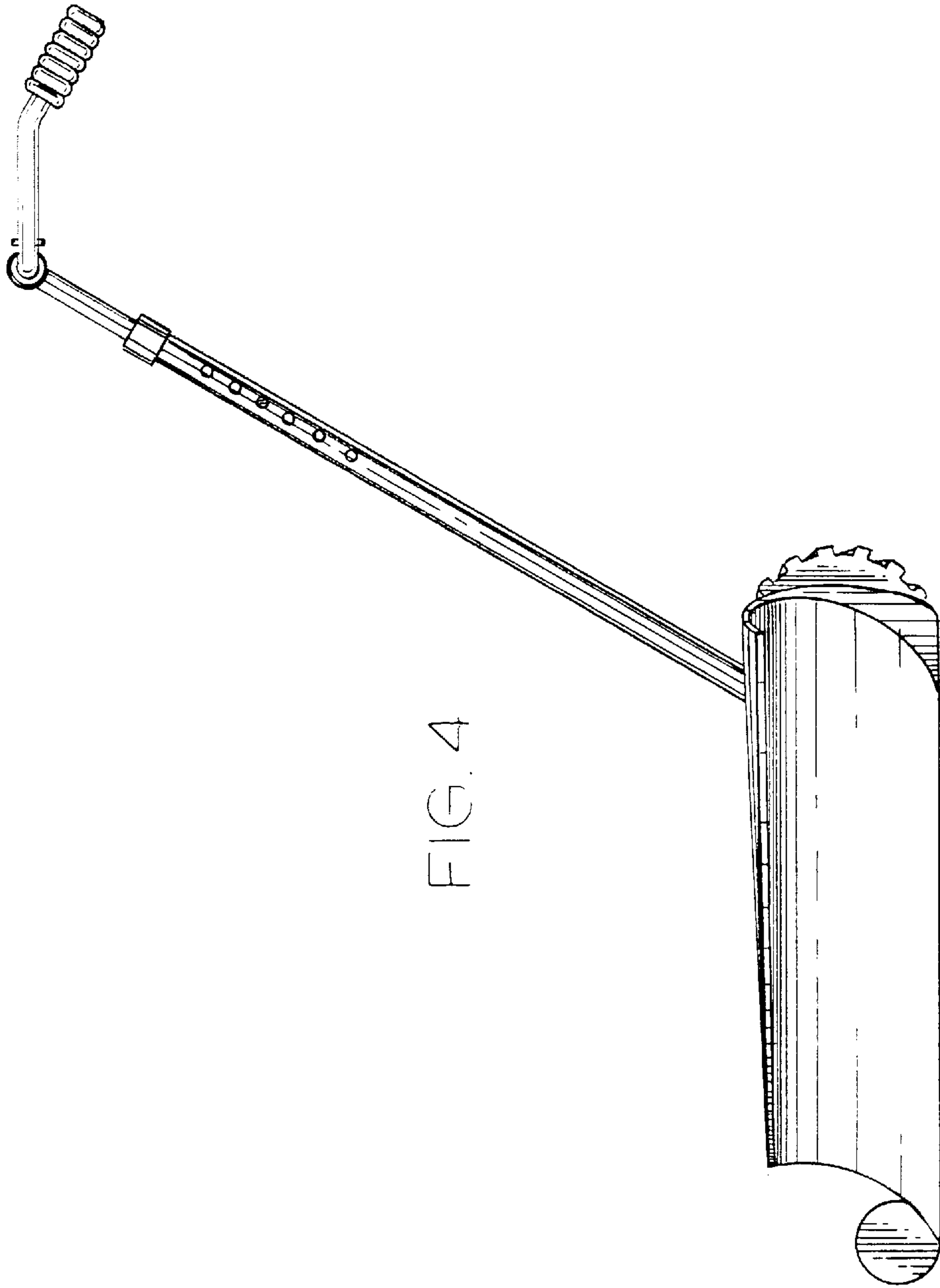


FIG. 4

FIGURE 6

