



US00D407715S

United States Patent [19] Grant

[11] Patent Number: **Des. 407,715**

[45] Date of Patent: ****Apr. 6, 1999**

[54] **ERGONOMIC CELLULAR PHONE**

[76] Inventor: **Alan H. Grant**, 3208 Woodhollow Dr., Chevy Chase, Md. 20815

[**] Term: **14 Years**

[21] Appl. No.: **84,624**

[22] Filed: **Mar. 6, 1998**

[51] **LOC (6) Cl.** **14-03**

[52] **U.S. Cl.** **D14/138**

[58] **Field of Search** D14/137, 138, D14/147-148, 247-248, 250, 24, 140-142; 379/433, 434, 419, 420, 428, 440; 455/550-575, 90

| | | | |
|------------|---------|--------------------|-----------|
| D. 368,475 | 4/1996 | Scott . | |
| D. 368,711 | 4/1996 | Wicks et al. . | |
| D. 375,748 | 11/1996 | Hartman . | |
| D. 378,678 | 4/1997 | Tyneski | D14/137 |
| 3,632,878 | 1/1972 | Stratman | 379/433 X |
| 3,872,263 | 3/1975 | Wilder et al. . | |
| 3,908,288 | 9/1975 | Brown, Jr. . | |
| 4,042,793 | 8/1977 | Bellenger . | |
| 4,179,584 | 12/1979 | Tanimoto et al. . | |
| 4,572,403 | 2/1986 | Benaroya . | |
| 4,623,970 | 11/1986 | Toyomura . | |
| 4,706,288 | 11/1987 | Hashimoto et al. . | |
| 4,713,836 | 12/1987 | Suzuki . | |
| 4,926,474 | 5/1990 | Marks . | |
| 5,095,503 | 3/1992 | Kowalski . | |
| 5,175,869 | 12/1992 | Murata | 455/575 X |
| 5,222,121 | 6/1993 | Shimada . | |
| 5,332,322 | 7/1994 | Gambaro . | |
| 5,479,163 | 12/1995 | Samulewicz . | |

[56] **References Cited**

U.S. PATENT DOCUMENTS

| | | | |
|------------|---------|--------------------|-----------|
| D. 203,994 | 3/1966 | Brandlein | D14/147 |
| D. 210,775 | 4/1968 | Dreyfuss | D14/248 |
| D. 248,650 | 7/1978 | Bellenger et al. . | |
| D. 258,656 | 3/1981 | Vaughan | D14/147 |
| D. 284,761 | 7/1986 | Ryan | D14/147 |
| D. 285,197 | 8/1986 | Bressler et al. . | |
| D. 285,200 | 8/1986 | Bressler et al. . | |
| D. 291,440 | 8/1987 | Yoshiharu . | |
| D. 295,626 | 5/1988 | Watanabe . | |
| D. 298,242 | 10/1988 | Watanabe . | |
| D. 300,743 | 4/1989 | Zaugg et al. | D14/147 |
| D. 319,468 | 8/1991 | Larizza | D14/148 X |
| D. 326,451 | 5/1992 | Roegner . | |
| D. 339,128 | 9/1993 | Claxton et al. . | |
| D. 345,157 | 3/1994 | Happo et al. . | |
| D. 357,679 | 4/1995 | Fellinger . | |
| D. 366,876 | 2/1996 | Labohm . | |

Primary Examiner—Jeffrey Asch
Attorney, Agent, or Firm—Jacobson, Price, Holman & Stern, PLLC

[57] **CLAIM**

The ornamental design for a ergonomic cellular phone, as shown and described.

DESCRIPTION

FIG. 1 is a front view showing my new design for a ergonomic cellular phone;
FIG. 2 is a rear view thereof;
FIG. 3 is a top view thereof;
FIG. 4 is a bottom view thereof;
FIG. 5 is a left side view thereof; and,
FIG. 6 is a right side view thereof.

1 Claim, 2 Drawing Sheets

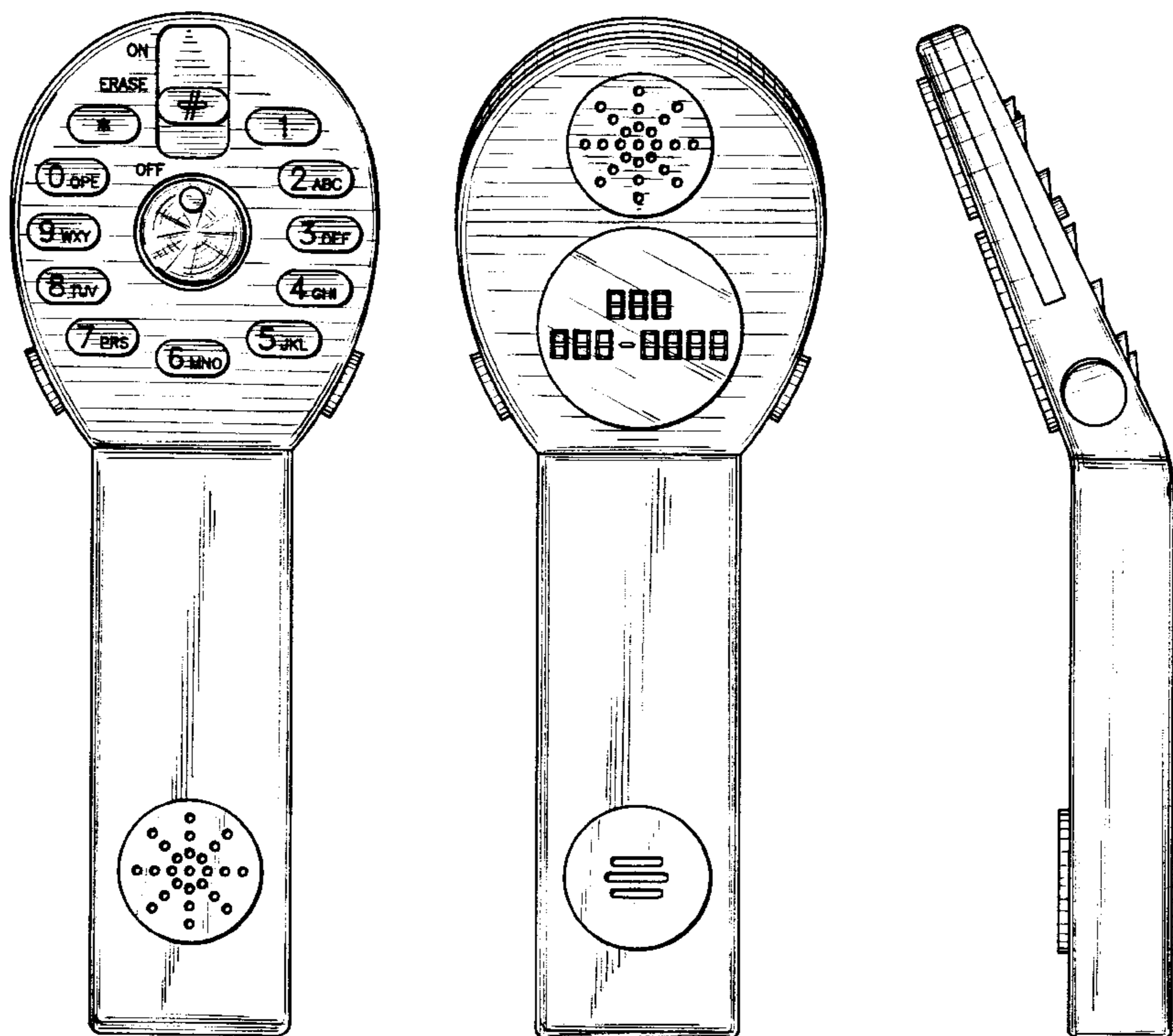


FIG. 1

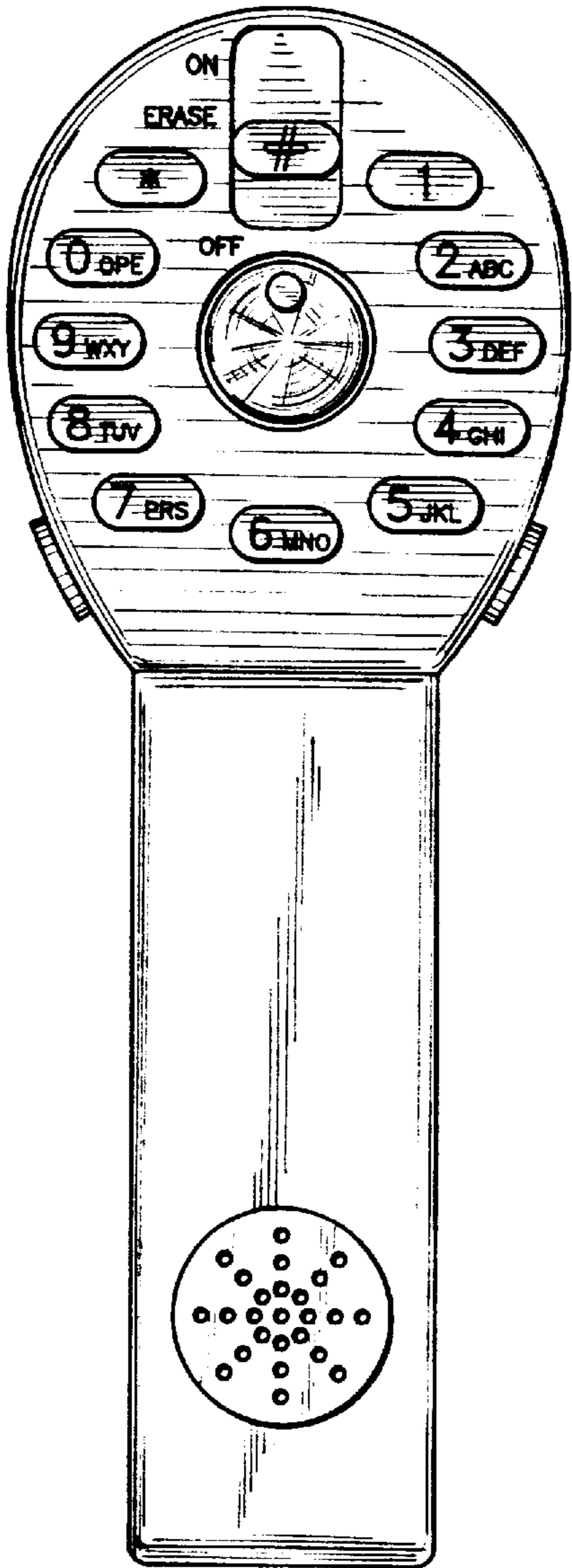


FIG. 2

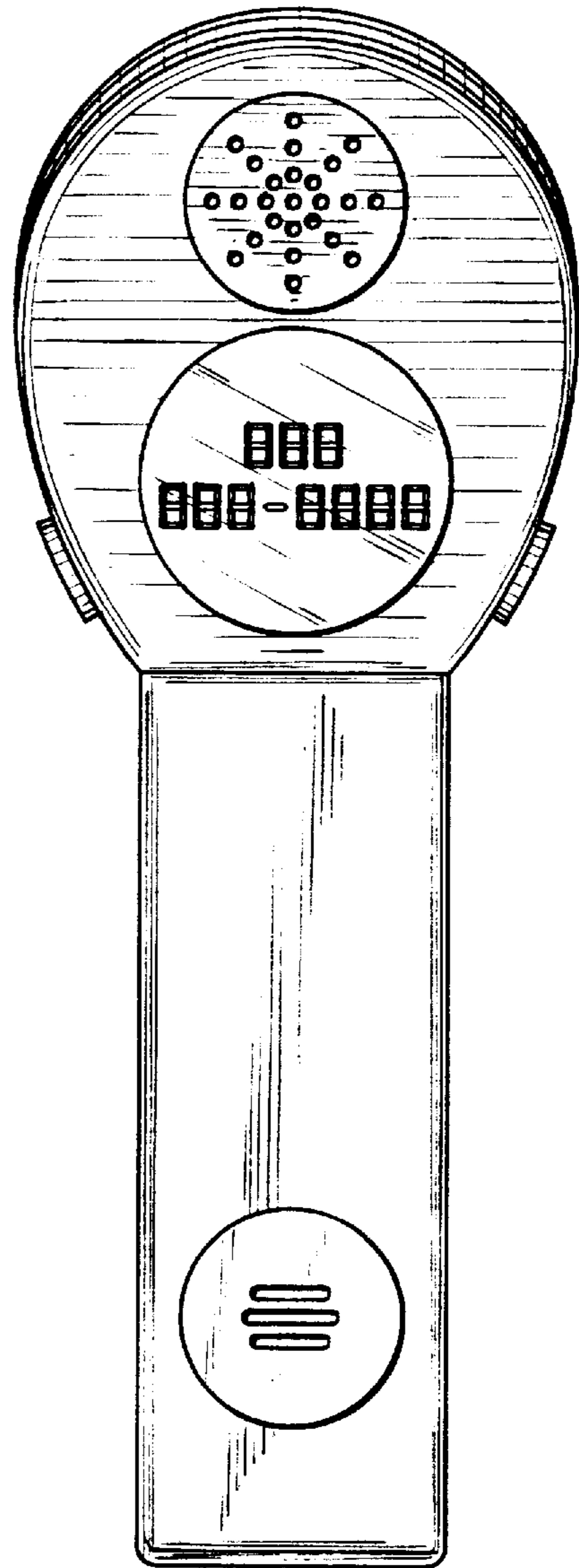


FIG. 3

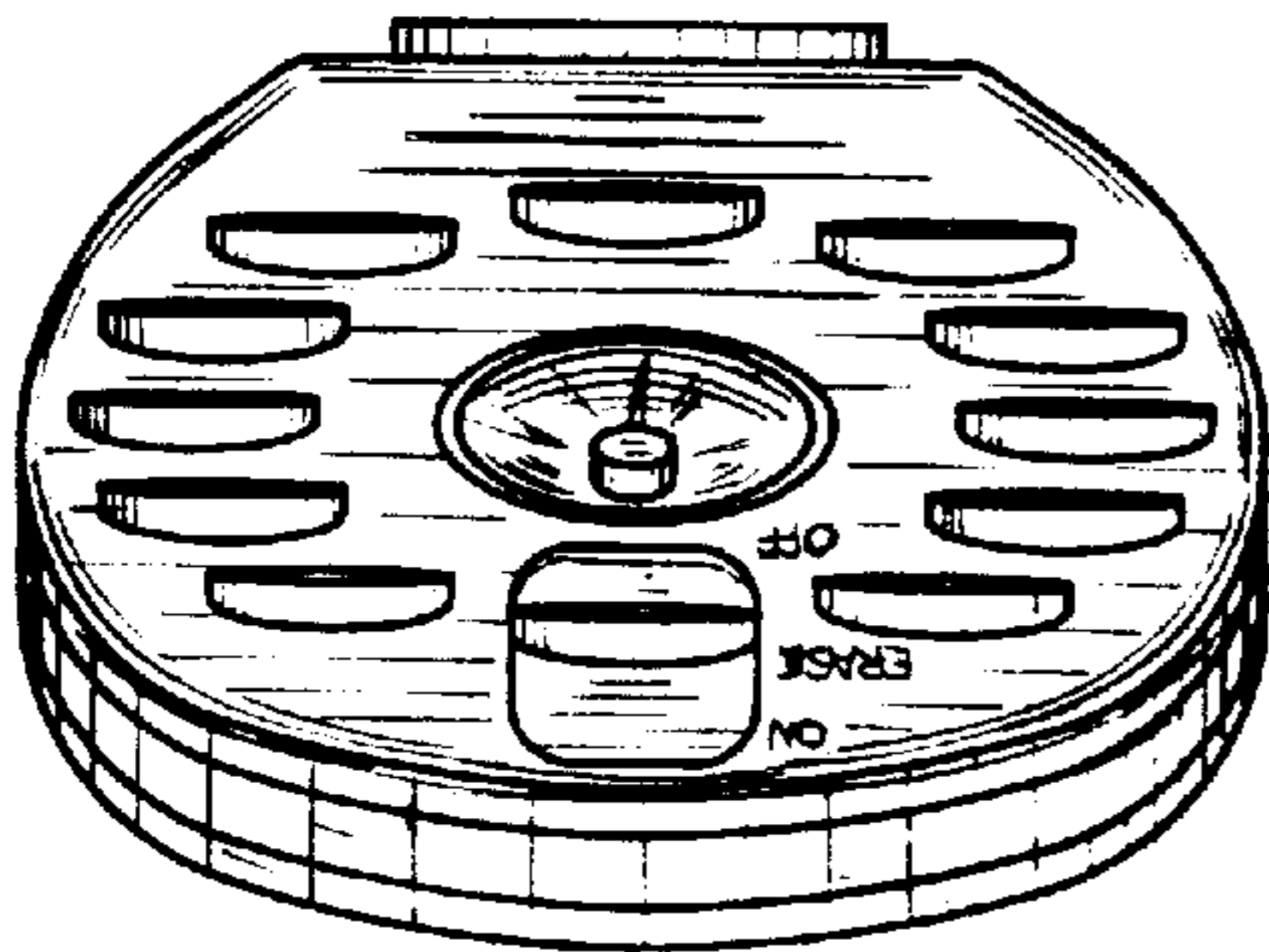


FIG. 4

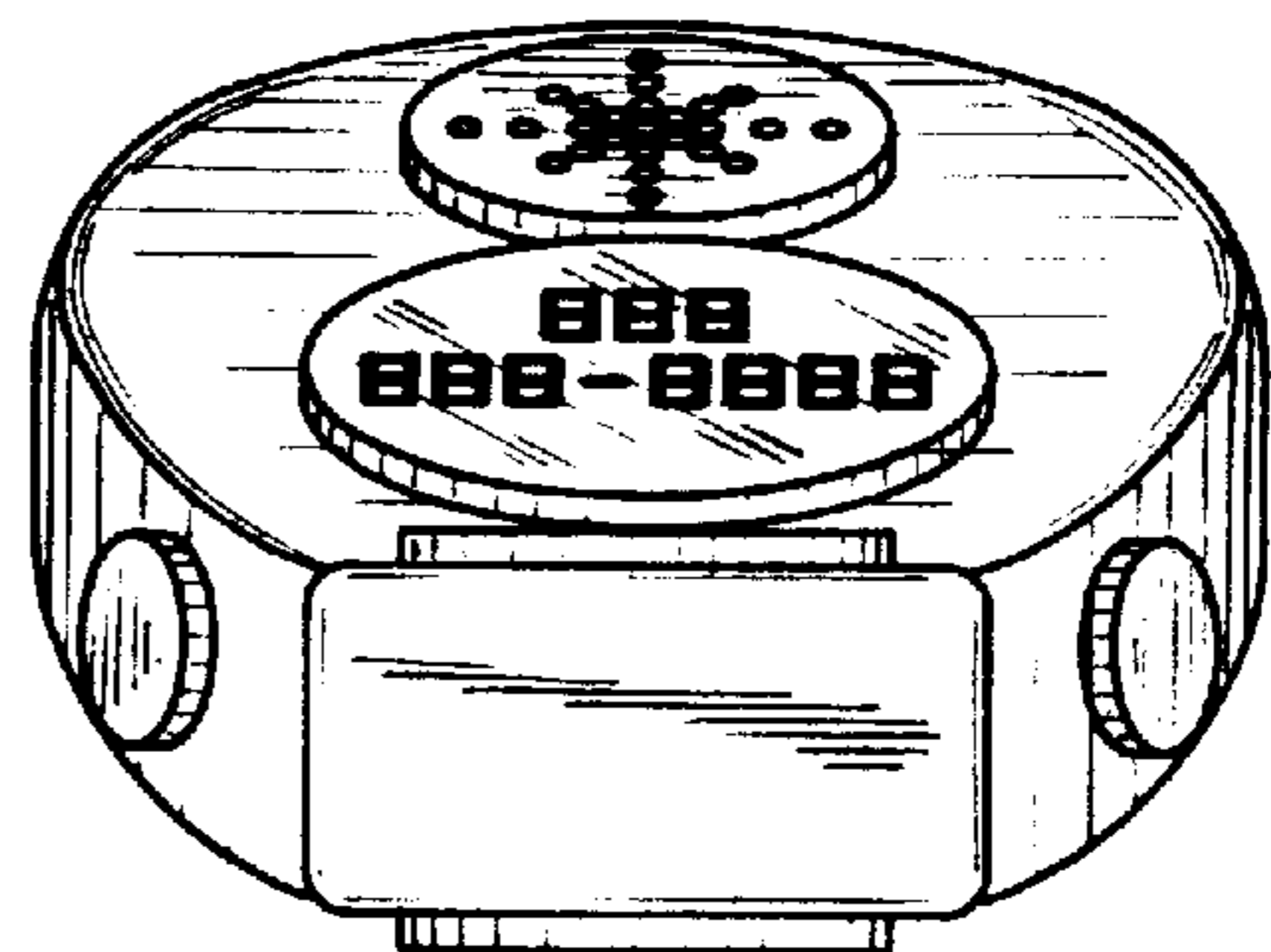


FIG. 5

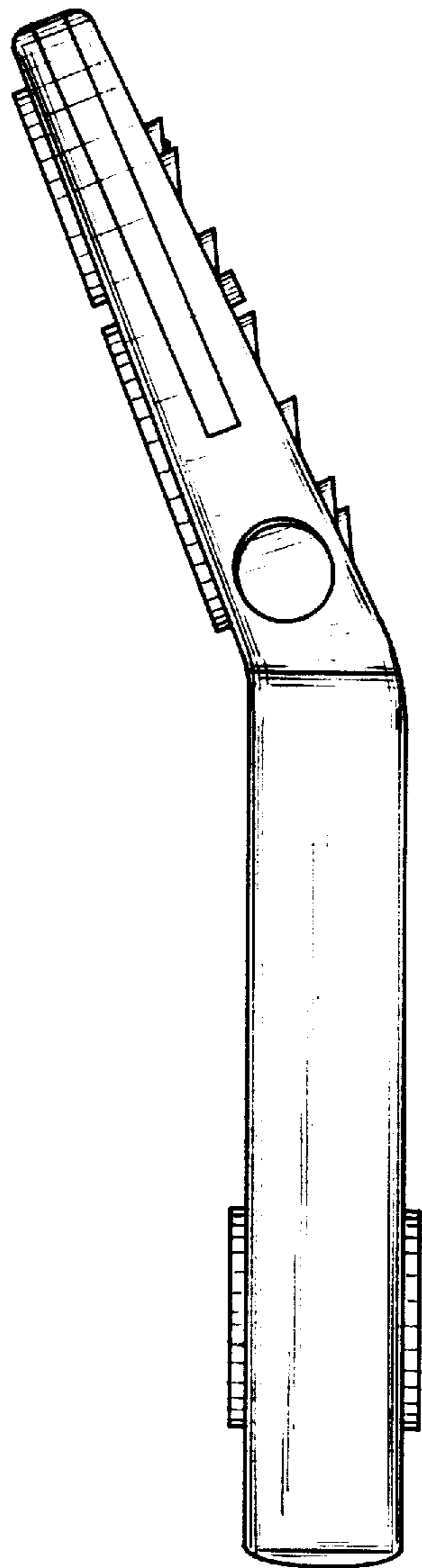


FIG. 6

