



US00D407714S

United States Patent [19] Yeh

[11] **Patent Number: Des. 407,714**

[45] **Date of Patent: **Apr. 6, 1999**

[54] **COOLING DEVICE FOR THE CPU OF COMPUTER**

[76] Inventor: **Ming Hsin Yeh**, No. 25, Hsi-Pu 2rd St., Hsi-Pu Tsun, Kuei-Jen Hsiang, Tainan Hsien, Taiwan

[**] Term: **14 Years**

[21] Appl. No.: **82,371**

[22] Filed: **Jan. 21, 1998**

[51] **LOC (6) Cl.** **14-02**

[52] **U.S. Cl.** **D14/114**

[58] **Field of Search** D14/114; 361/688, 361/690-703; D23/314, 332, 355, 370, 386, 387

[56] **References Cited**

U.S. PATENT DOCUMENTS

- 4,291,364 9/1981 Andros et al. .
- 4,449,164 5/1984 Carlson et al. .
- 4,674,004 6/1987 Smith et al. .

- 4,935,845 6/1990 Schwehr et al. .
- 5,027,254 6/1991 Corfits et al. .
- 5,040,095 8/1991 Beaty et al. .
- 5,065,278 11/1991 Schultz .
- 5,706,668 1/1998 Hilpert 361/690 X

Primary Examiner—M. H. Tung
Attorney, Agent, or Firm—Rosenberg, Klein & Bilker

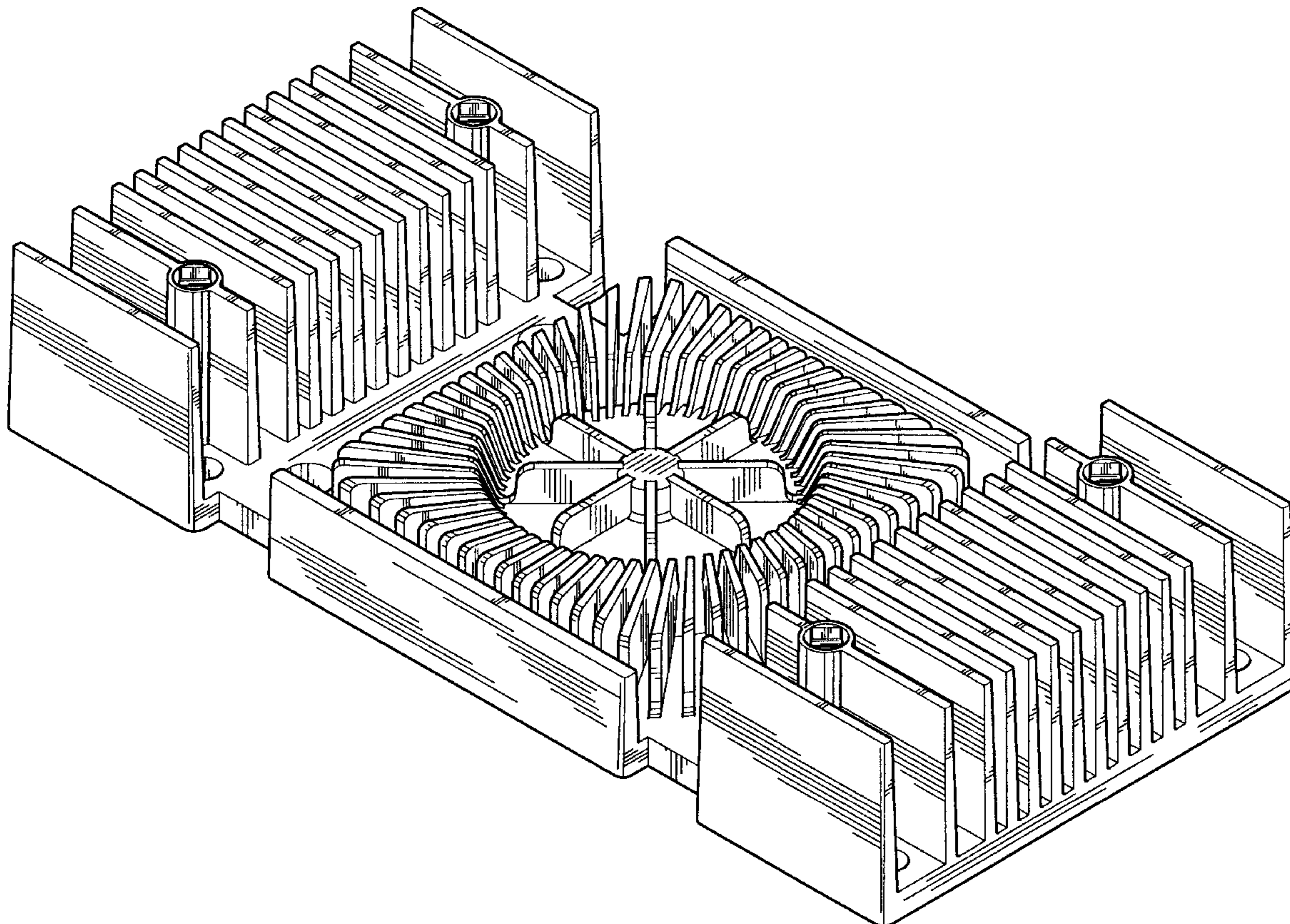
[57] **CLAIM**

The ornamental design for a cooling device for the CPU of computer, as shown and described.

DESCRIPTION

FIG. 1 is a perspective view of a cooling device for the CPU of computer showing my present design; FIG. 2 is a front view thereof; FIG. 3 is a rear view thereof; FIG. 4 is a left view thereof; FIG. 5 is a right view thereof; FIG. 6 is a top plan view thereof; and, FIG. 7 is a bottom plan view.

1 Claim, 5 Drawing Sheets



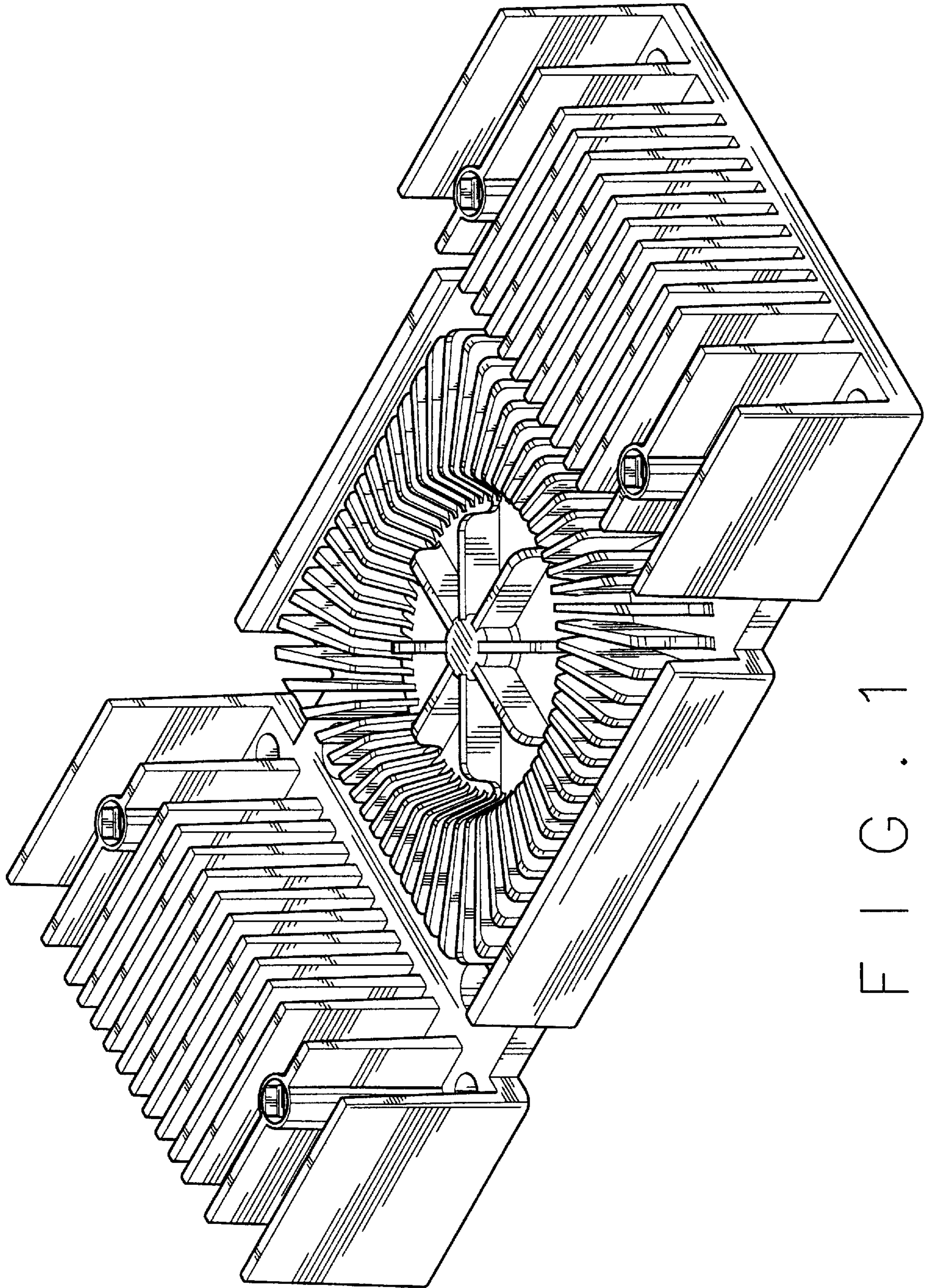


FIG. 1

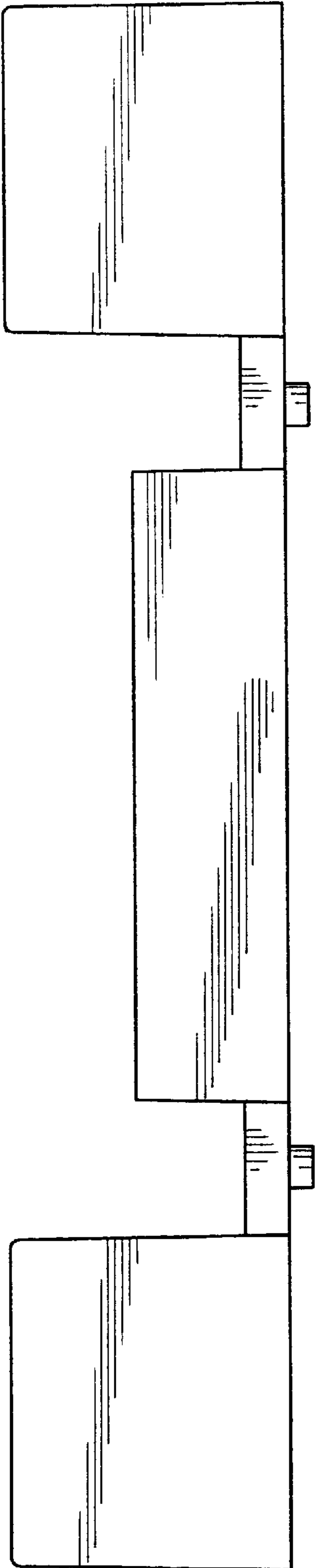


FIG. 2

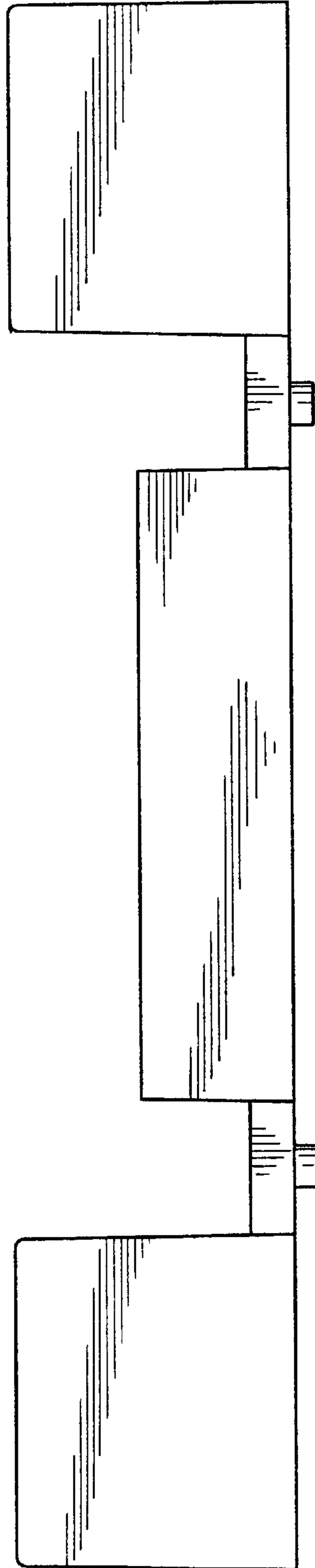


FIG. 3

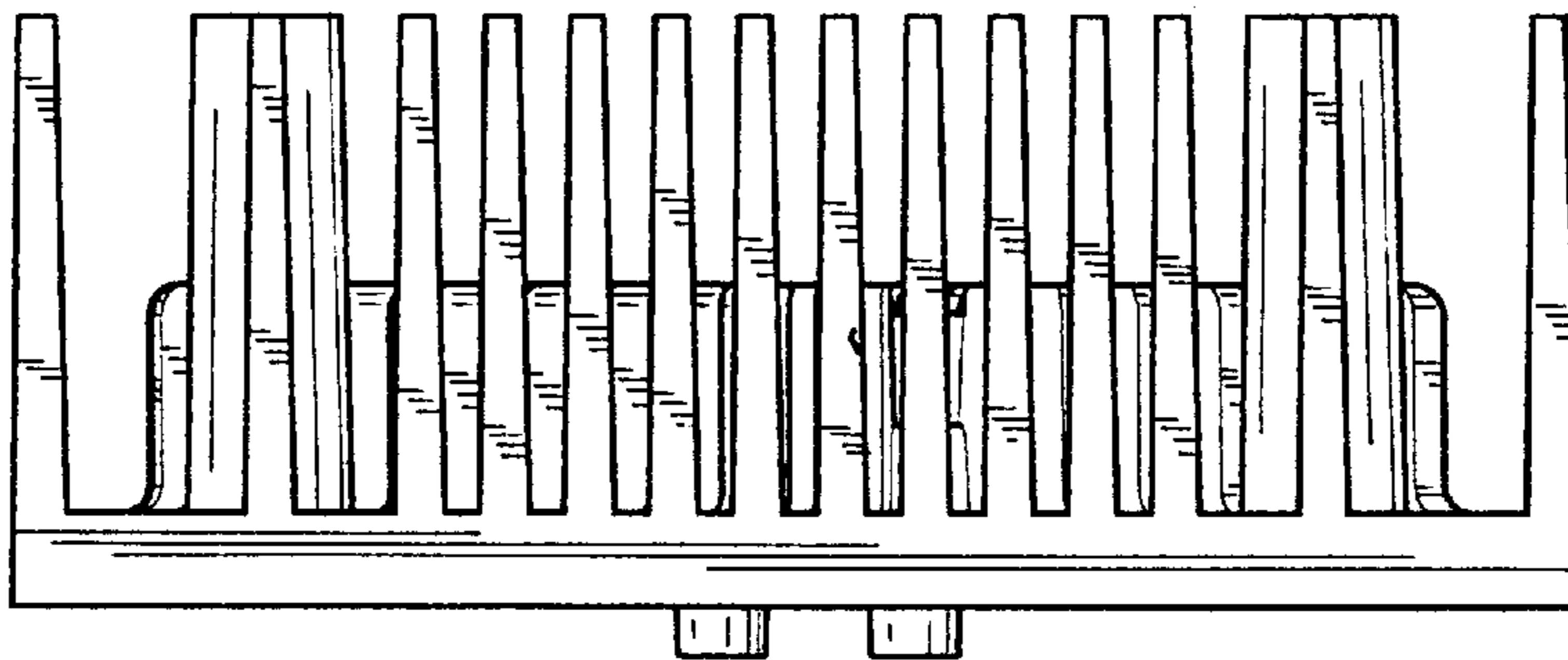


FIG. 4

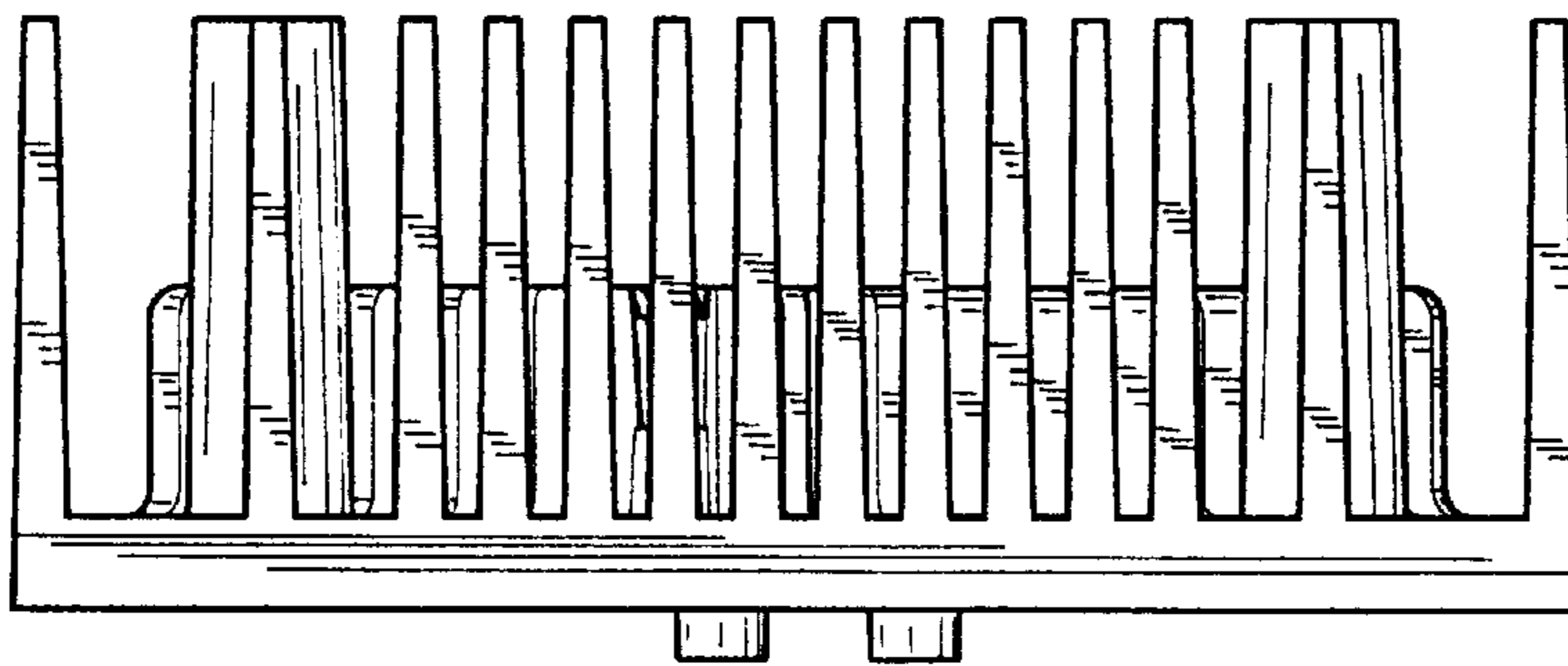
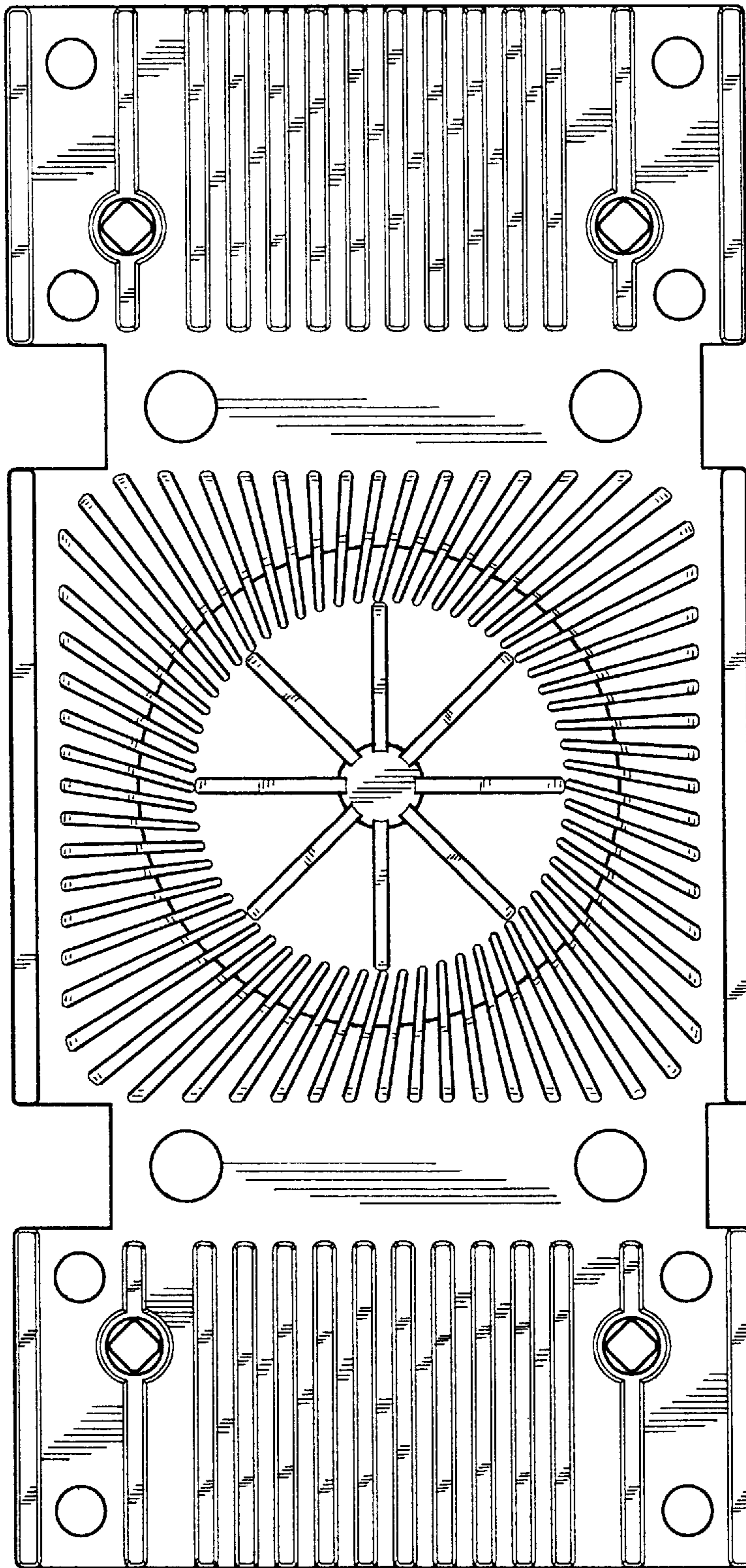


FIG. 5



F I G . 6

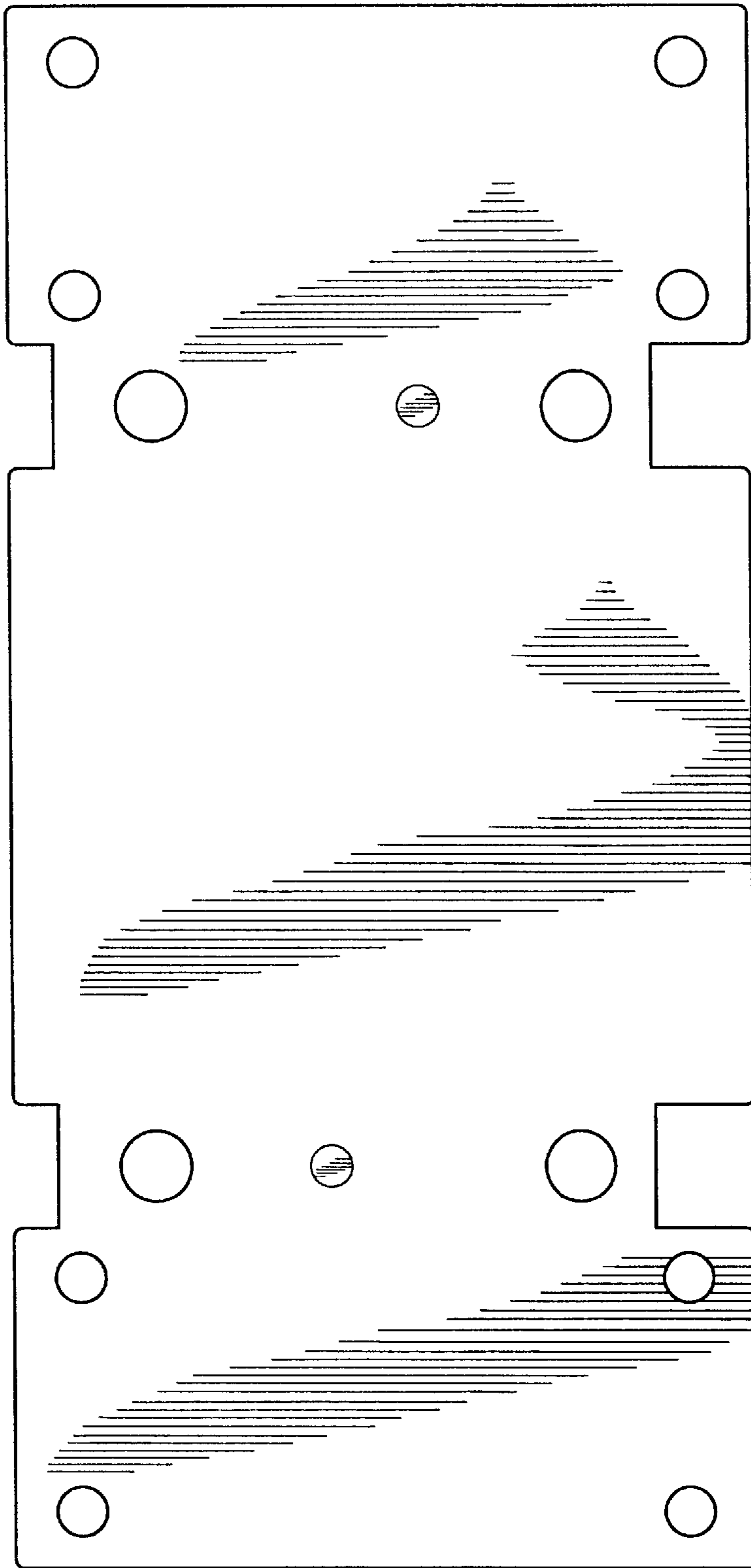


FIG. 7