



US00D407713S

United States Patent [19] Brunner

[11] **Patent Number: Des. 407,713**

[45] **Date of Patent: ***Apr. 6, 1999**

[54] **SUPPORT STAND FOR A COMPUTER MONITOR**

[75] Inventor: **Robert Brunner**, Los Gatos, Calif.

[73] Assignee: **Toshiba America Information Systems, Inc.**, Irvine, Calif.

[*] Notice: This patent issued on a continued prosecution application filed under 37 CFR 1.53(d), and is subject to the twenty year patent term provisions of 35 U.S.C. 154(a)(2).

[**] Term: **14 Years**

[21] Appl. No.: **58,879**

[22] Filed: **Aug. 27, 1996**

[51] **LOC (6) Cl.** **14-02**

[52] **U.S. Cl.** **D14/114**

[58] **Field of Search** D14/100-117;
248/917, 918, 921, 422.2, 452, 281.11,
278.1, 280.11; 358/254

[56] **References Cited**

U.S. PATENT DOCUMENTS

D. 317,760 6/1991 Esslinger D14/114

D. 356,786 3/1995 Sacherman et al. D14/113
D. 364,394 11/1995 Backs D14/113
4,453,687 6/1984 Sweere 248/921
5,037,050 8/1991 Lin et al. 248/921

Primary Examiner—Kay H. Chin
Attorney, Agent, or Firm—Limbach & Limbach

[57] **CLAIM**

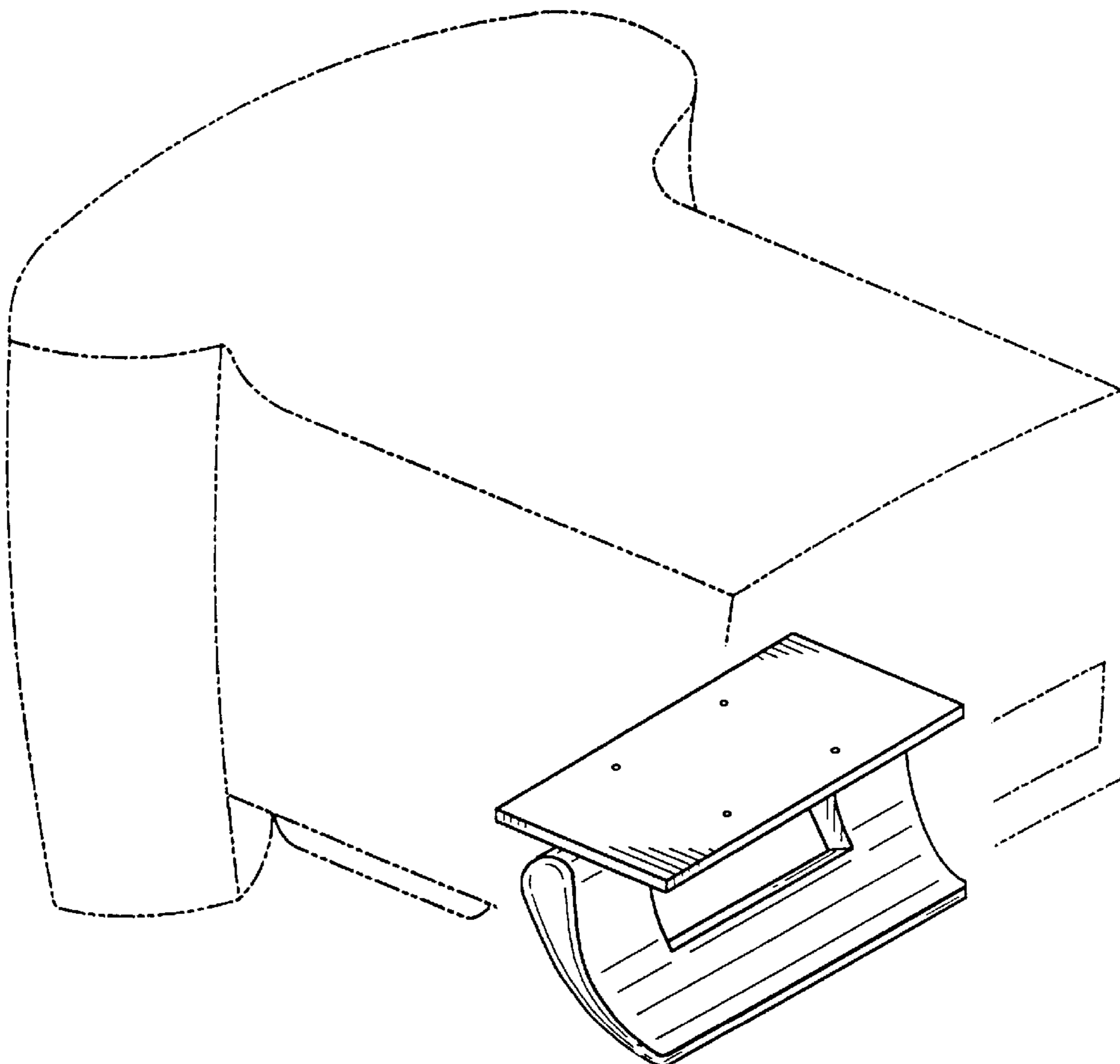
The ornamental design for a support stand for a computer monitor, as shown and described.

DESCRIPTION

FIG. 1 is a top, rear perspective view of a support stand for a computer monitor showing the new design;
FIG. 2 is a top view thereof;
FIG. 3 is a front view thereof;
FIG. 4 is a right side view thereof;
FIG. 5 is a rear view thereof; and,
FIG. 6 is a bottom view thereof.

The broken lines shown in FIGS. 1 through 12 are for illustrative purposes only and form no part of the claimed design.

1 Claim, 3 Drawing Sheets



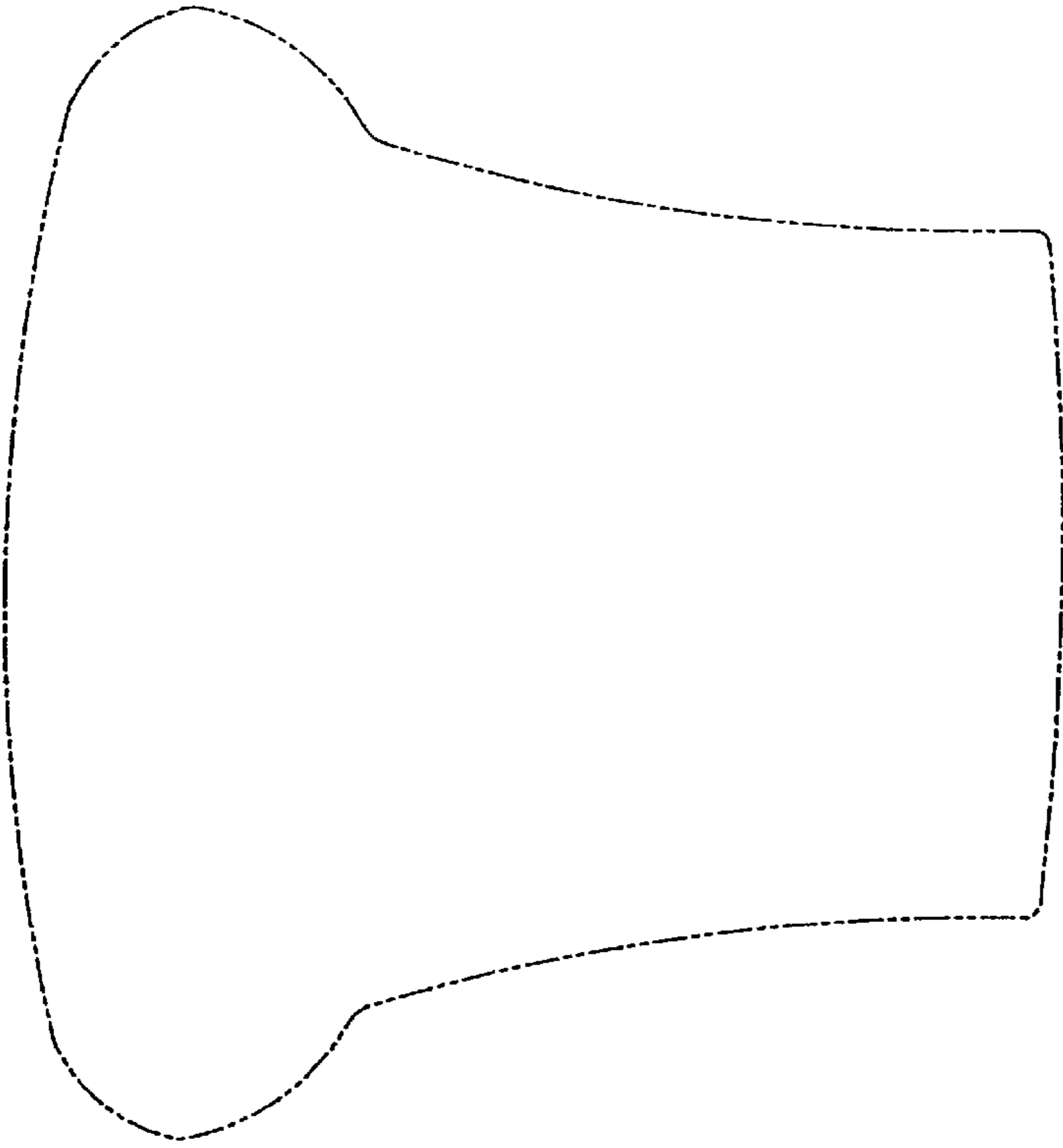


FIG. 2

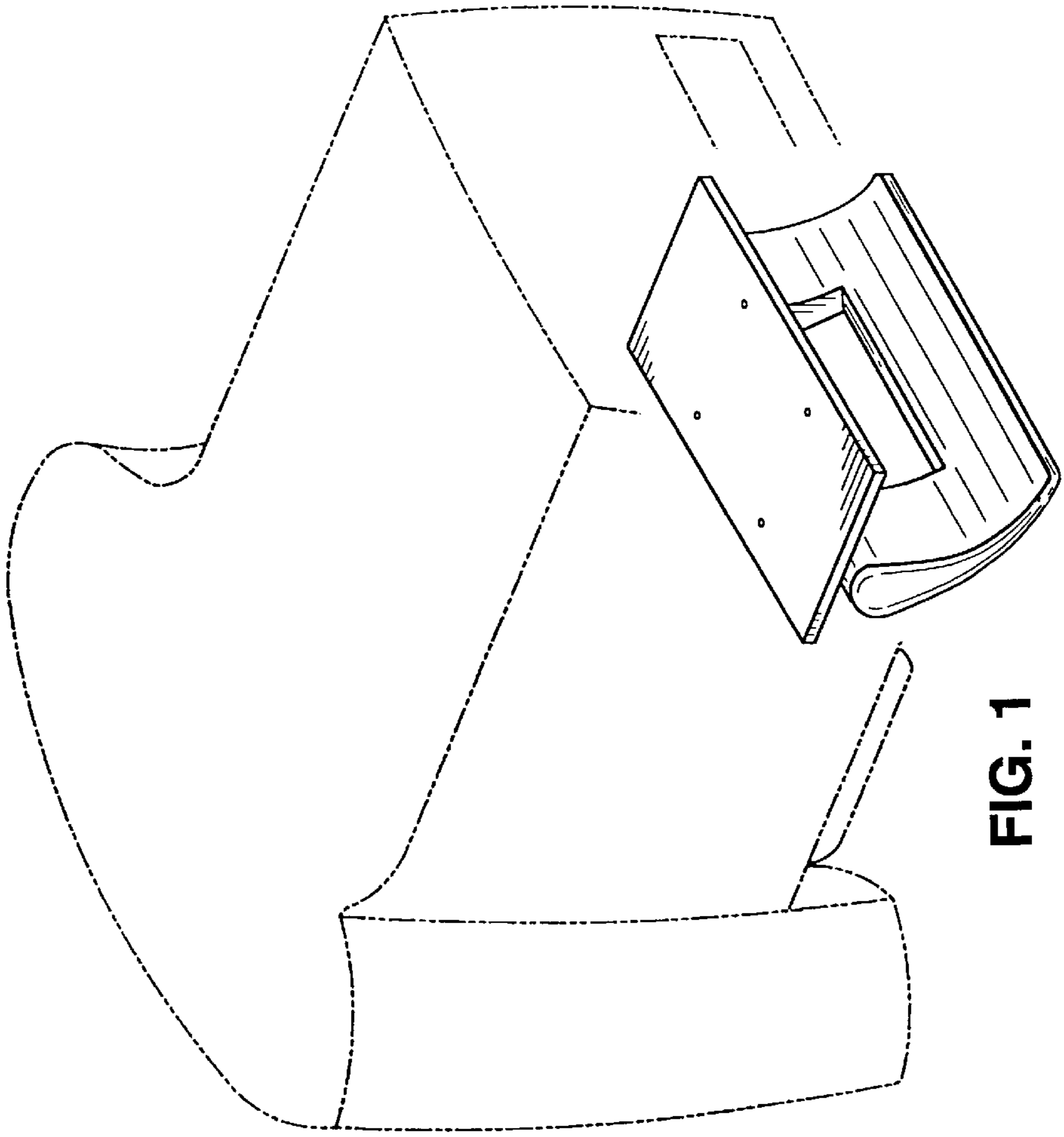


FIG. 1

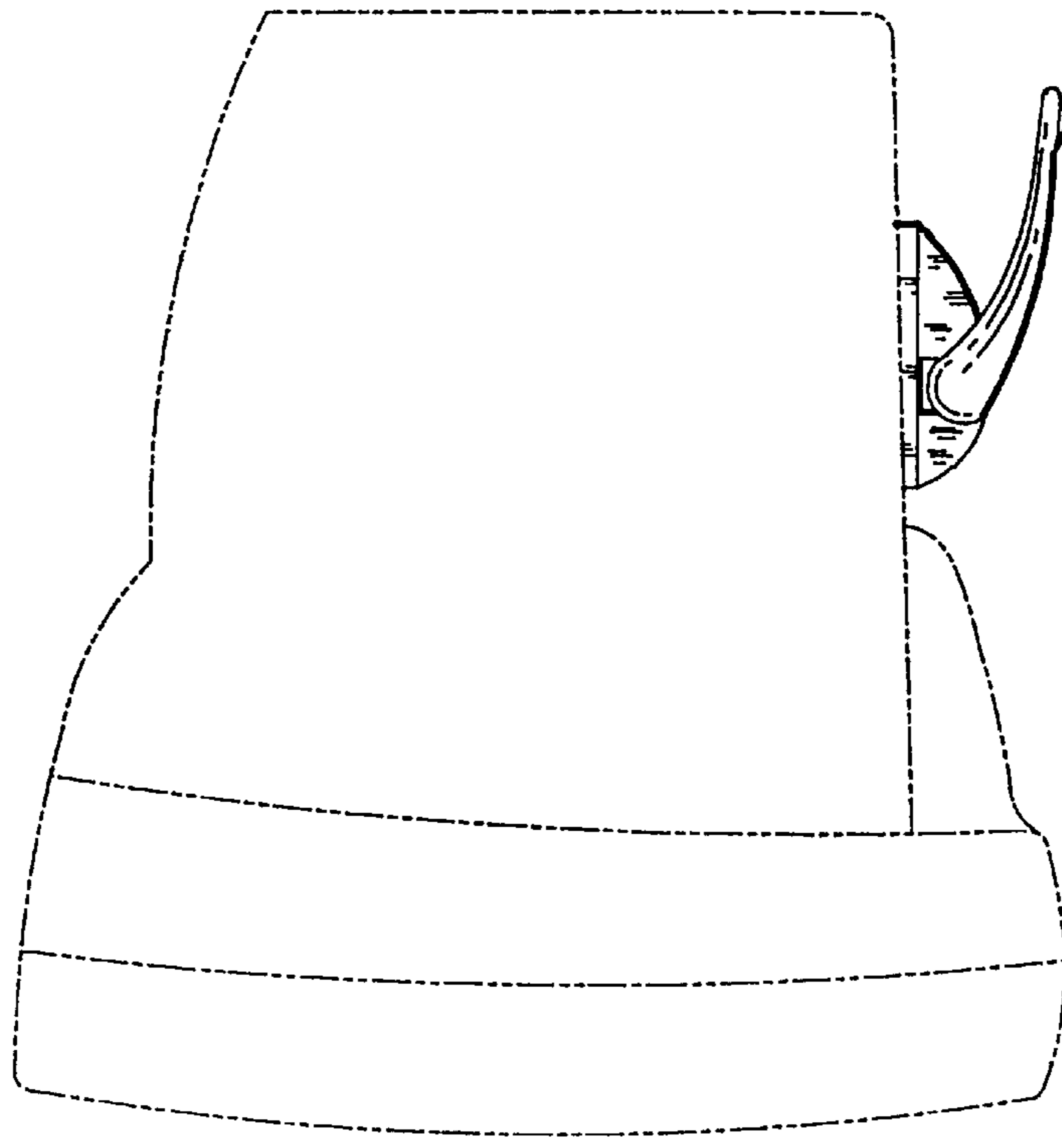


FIG. 4

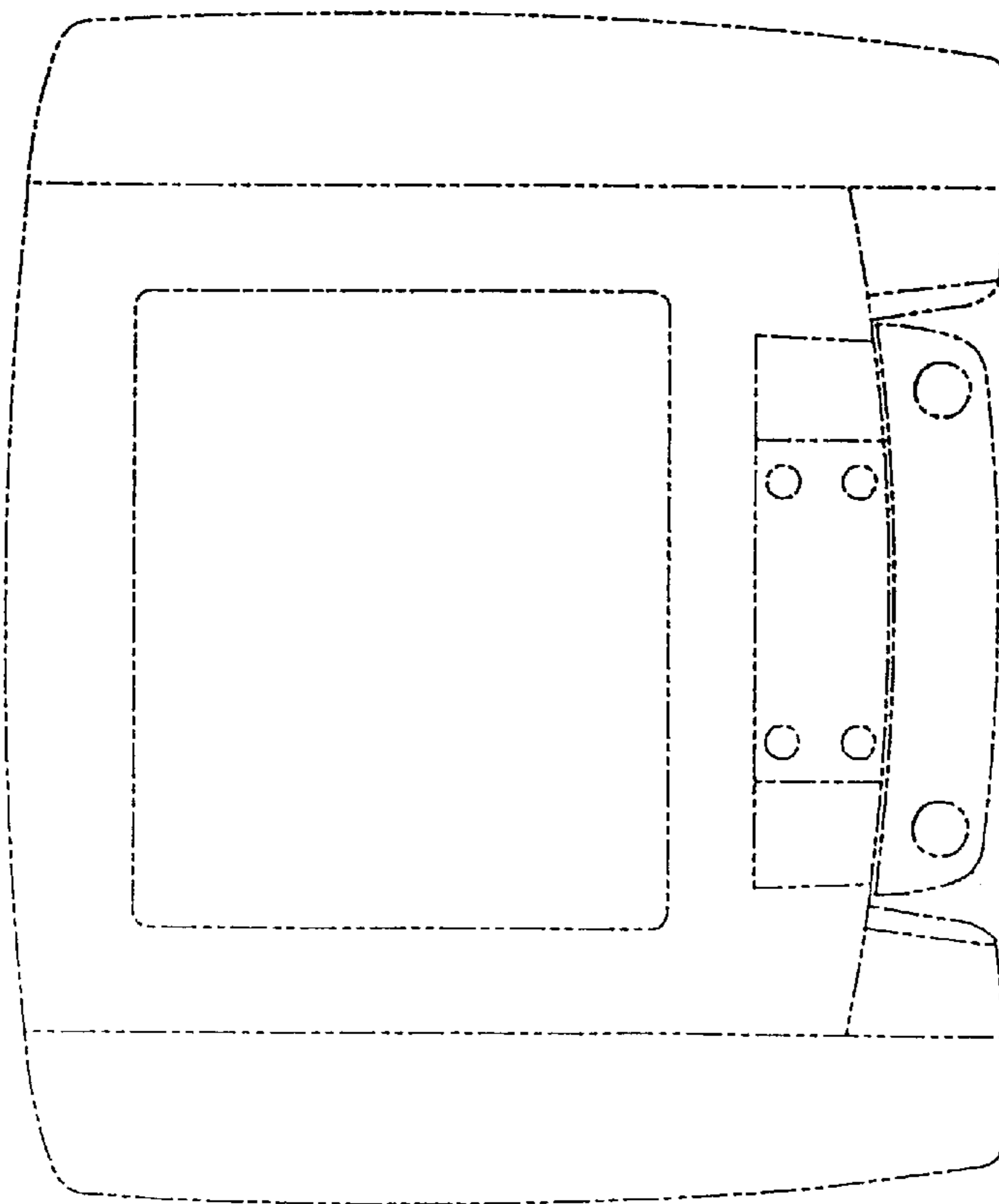


FIG. 3

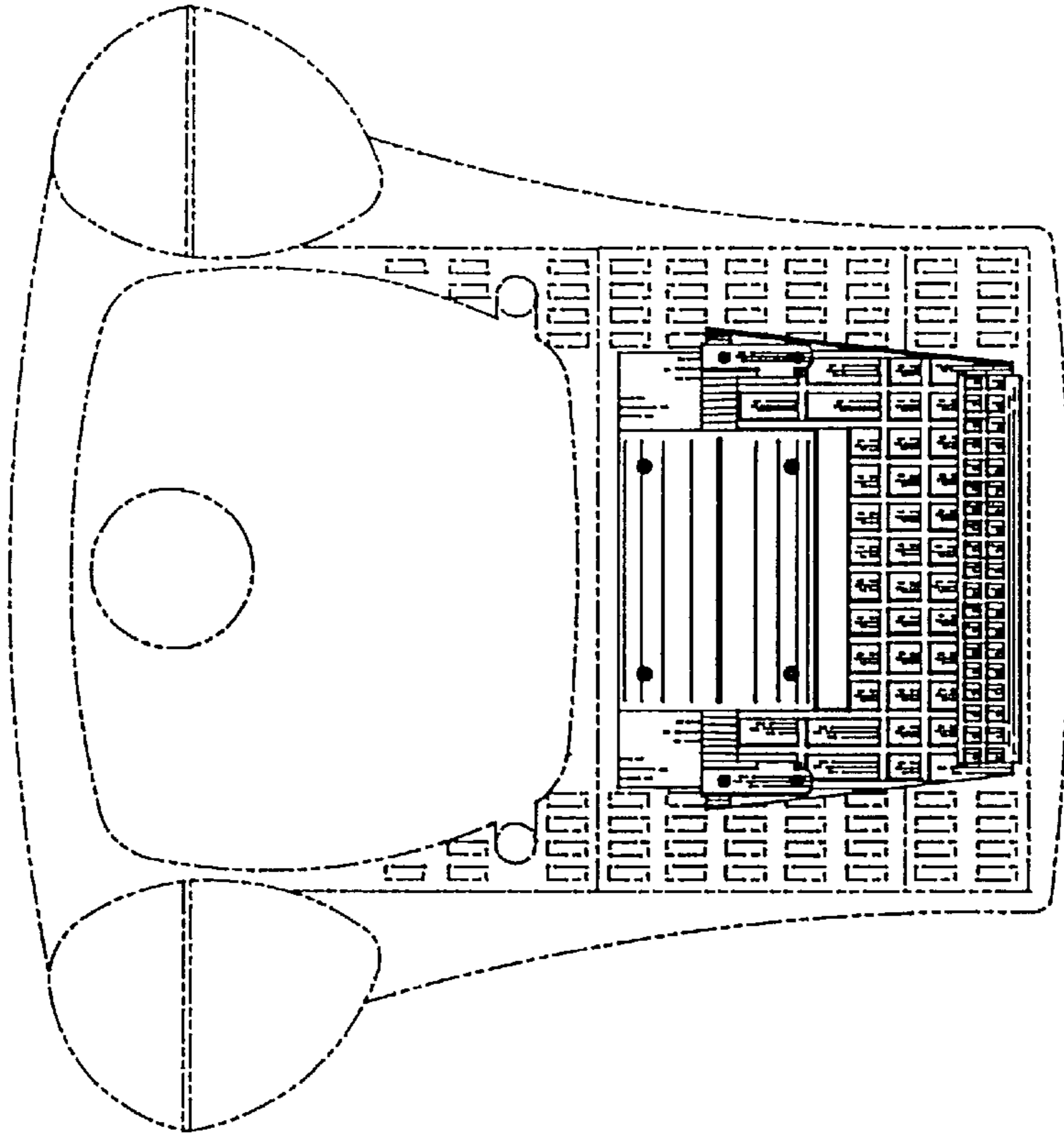


FIG. 5

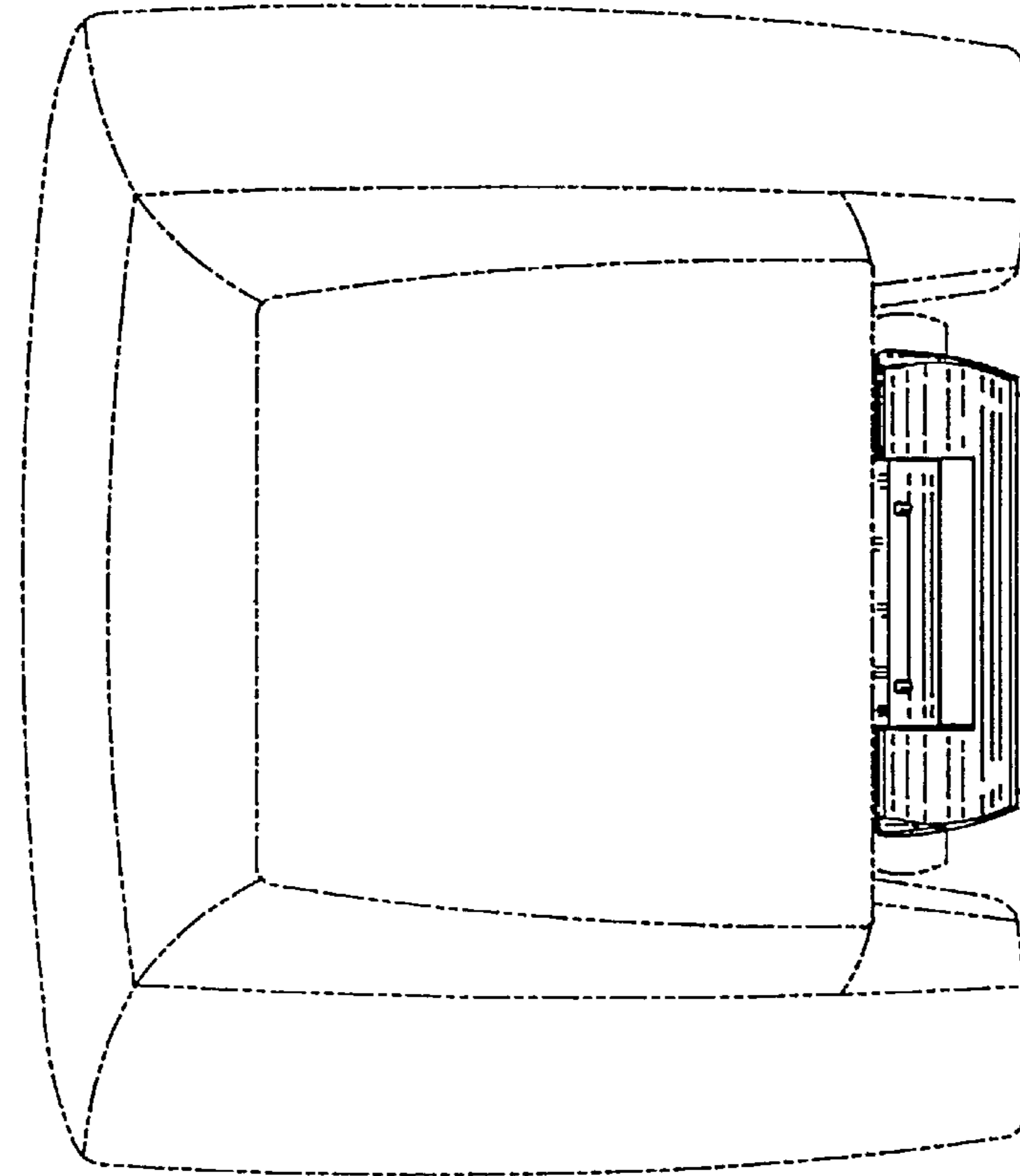


FIG. 6