



US00D407710S

United States Patent [19]
Poulos

[11] **Patent Number: Des. 407,710**
[45] **Date of Patent: **Apr. 6, 1999**

[54] **TELEPHONE BASE SUPPORT**

5,661,798 8/1997 Chen 379/454

[76] Inventor: **Gregory W. Poulos**, 301 Helen St.,
Midland, Mich. 48640

FOREIGN PATENT DOCUMENTS

63-98250 (A) 4/1988 Japan 379/447

[**] Term: **14 Years**

Primary Examiner—Jeffrey Asch
Attorney, Agent, or Firm—Robert J. Rhead

[21] Appl. No.: **69,496**

[57] **CLAIM**

[22] Filed: **Apr. 21, 1997**

The ornamental design for telephone base support, as shown
and described.

[51] **LOC (6) Cl.** **14-03**

[52] **U.S. Cl.** **D14/251**

[58] **Field of Search** D14/140, 142,
D14/240, 251, 252; 379/419, 420, 428,
440, 447, 454, 455, 436; D8/71, 349, 354,
366; 248/677

DESCRIPTION

FIG. 1 is a rear, bottom, and left side perspective view of a
telephone base support showing my new design;
FIG. 2 is a left side elevational view thereof, the right side
being a mirror image;
FIG. 3 is a bottom plan view in place on a telephone base;
and,
FIG. 4 is a bottom plan view partially slid into position on
a telephone base.

The surfaces not shown have the same flat continuous
appearance as those shown.

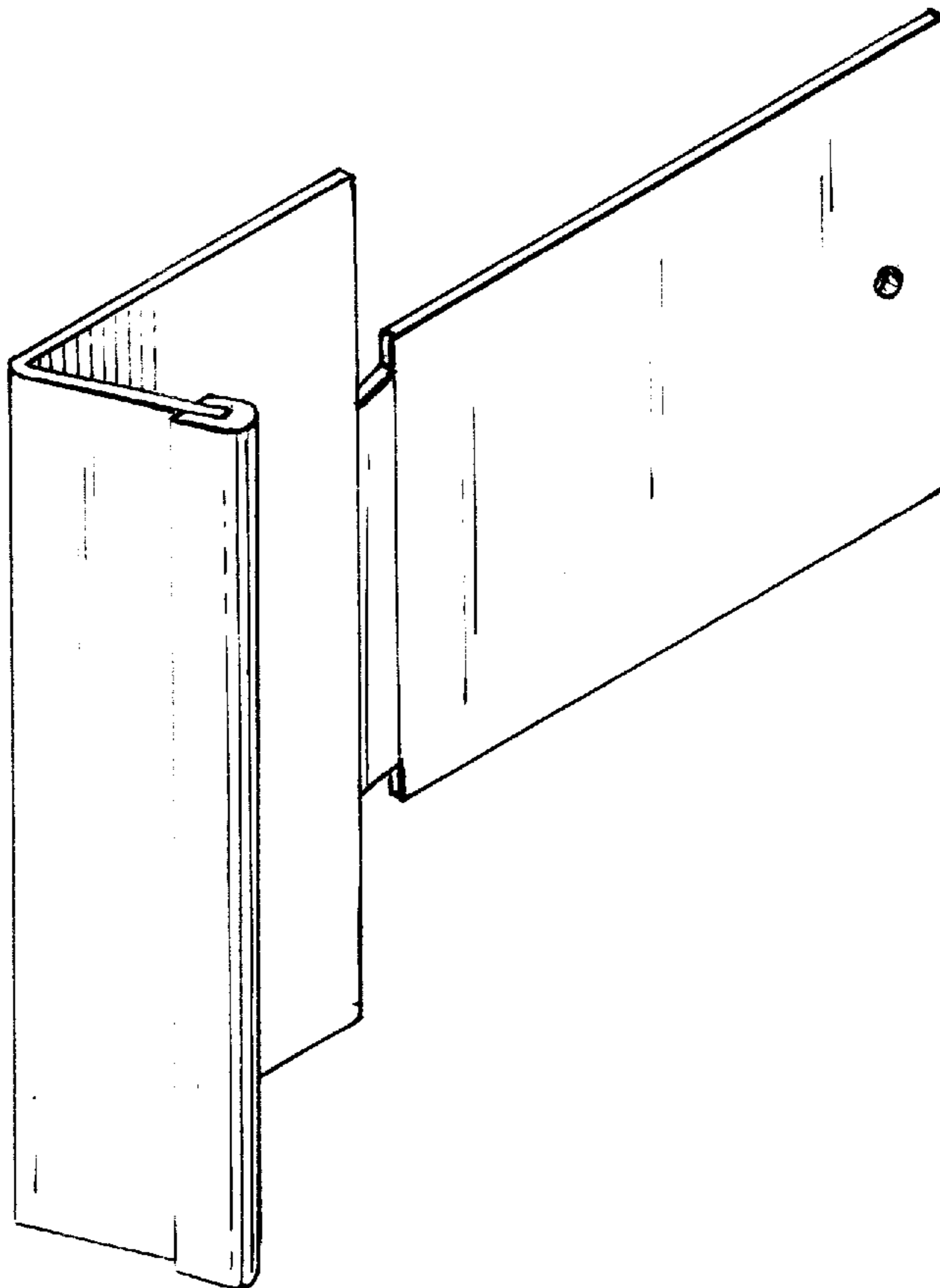
The broken lines howings of a telephone base in FIGS. 3 and
4 are for illustrative purposes only and form no part of the
claimed design.

[56] **References Cited**

U.S. PATENT DOCUMENTS

D. 246,572	12/1977	Walter	D8/71
D. 279,185	6/1985	Felix et al.	D14/251
D. 279,674	7/1985	Harley	D14/251
D. 286,636	11/1986	Cooke et al.	D14/253
D. 376,805	12/1996	Johansson	D8/349 X
1,626,539	4/1927	Jones	379/454 X
2,878,324	3/1959	Guerrero	379/454
3,428,285	2/1969	Seawall	379/436
4,568,801	2/1986	Gates et al.	379/454

1 Claim, 1 Drawing Sheet



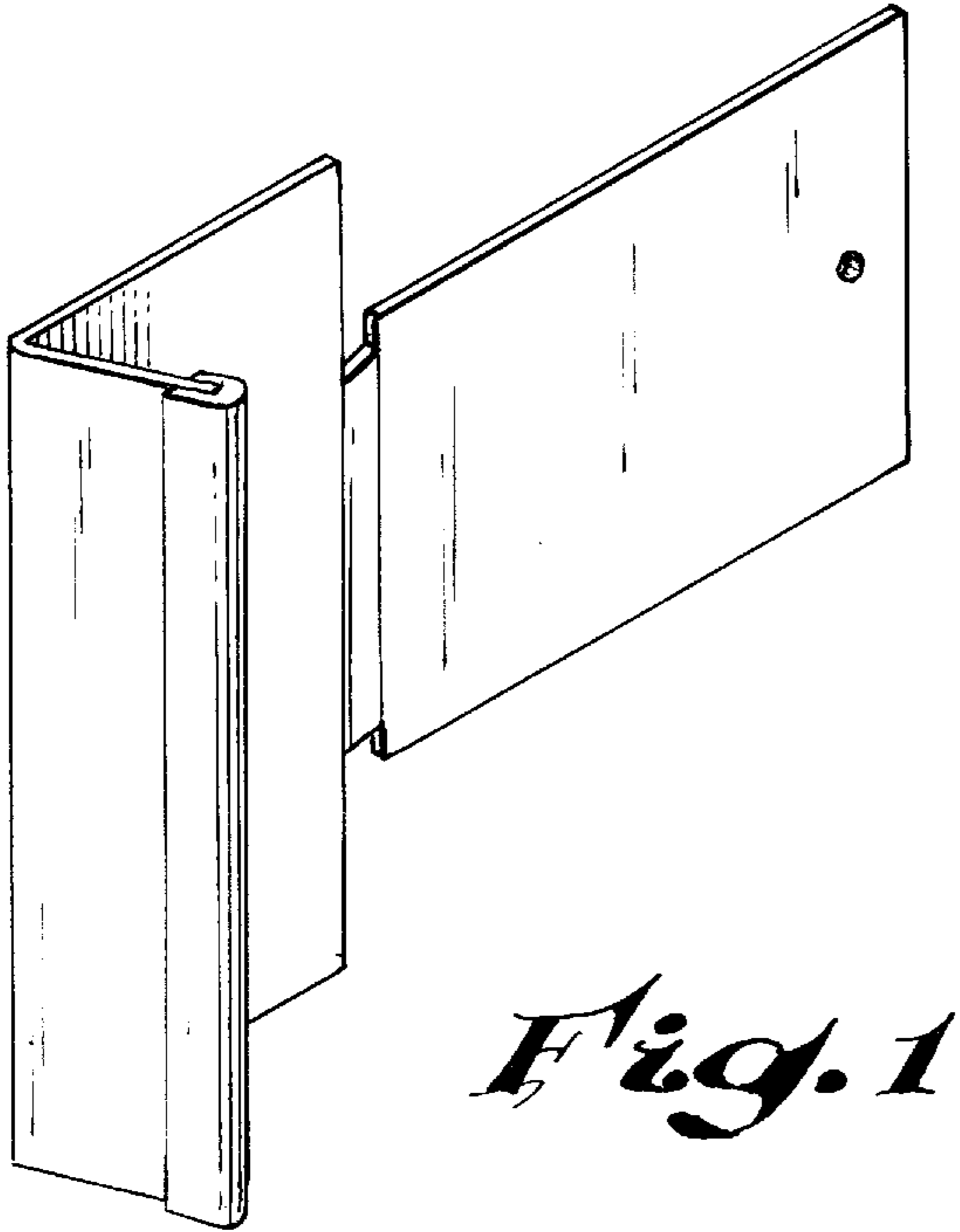


Fig. 1

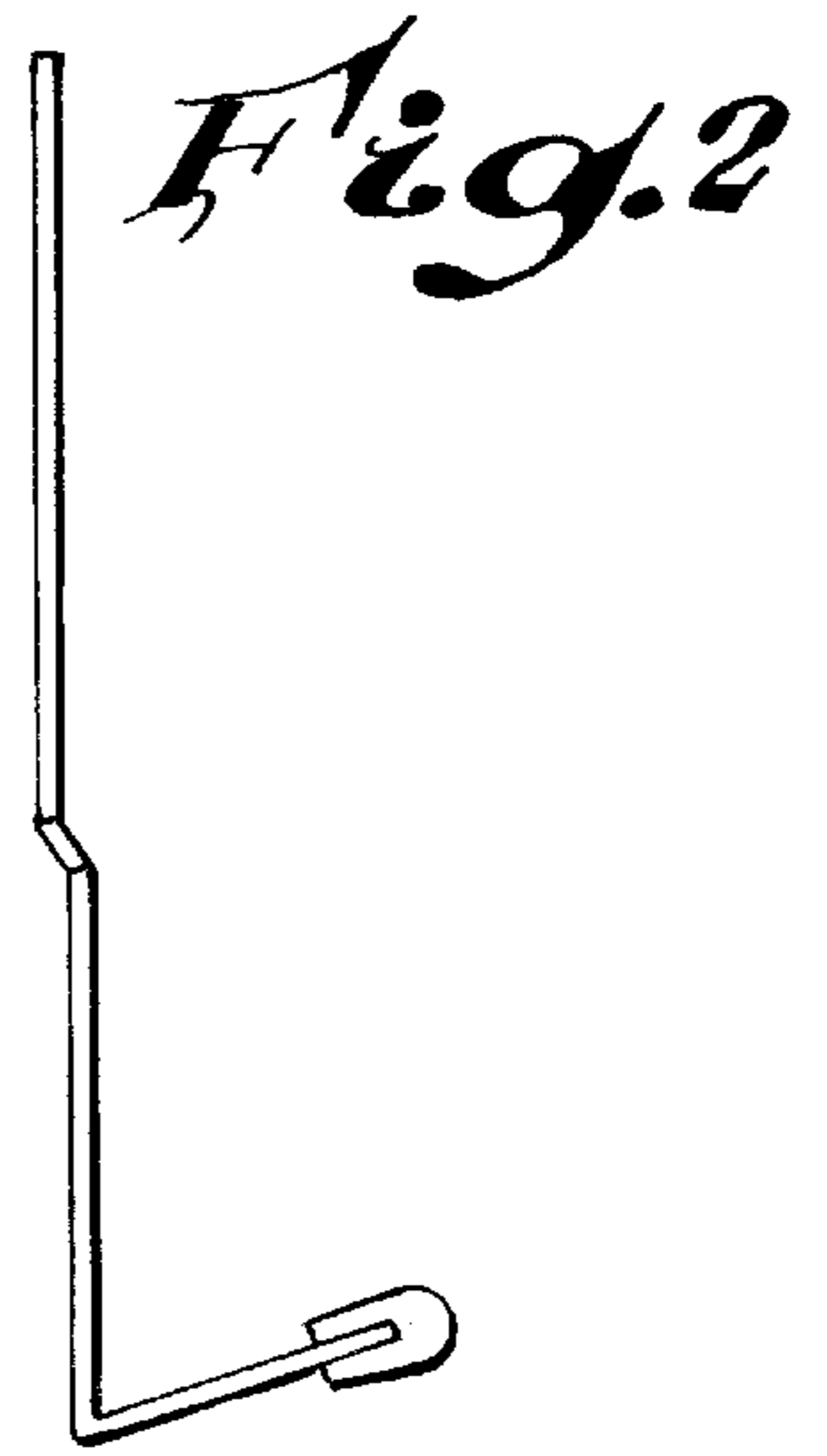


Fig. 2

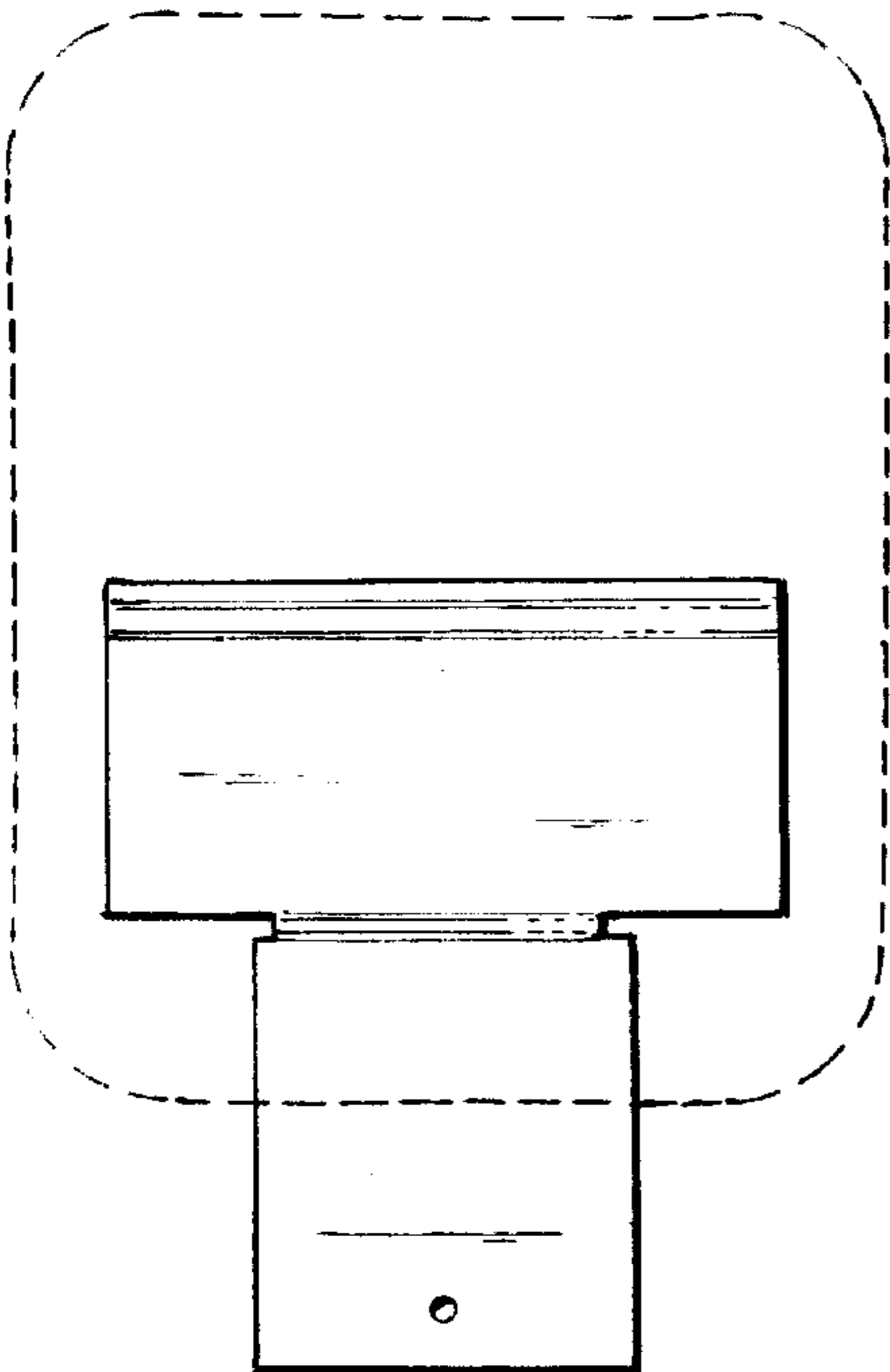


Fig. 4

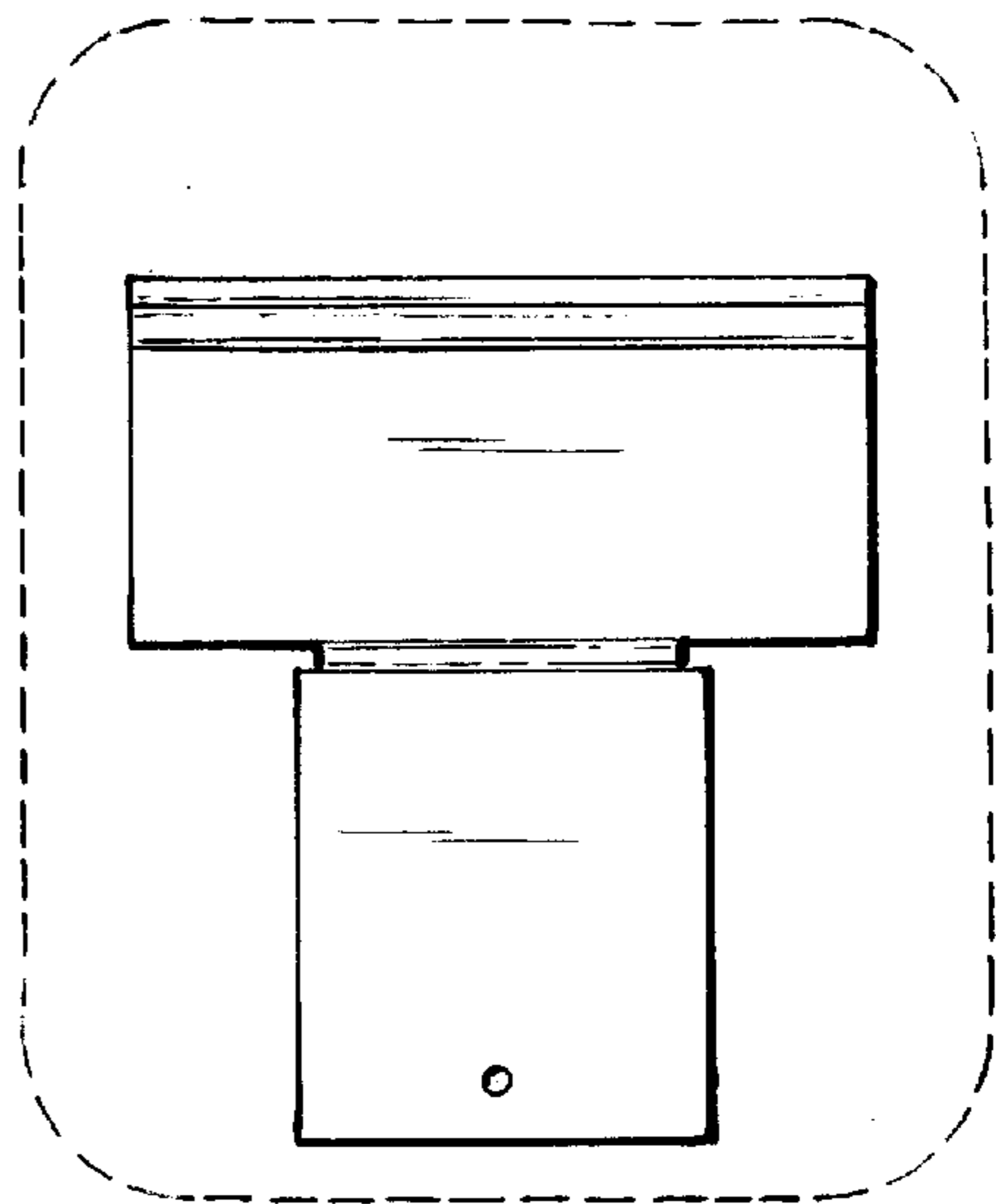


Fig. 3