



US00D407708S

United States Patent [19]

Nagele et al.

[11] **Patent Number:** **Des. 407,708**

[45] **Date of Patent:** ****Apr. 6, 1999**

[54] **ACCESSORY HOUSING**

[75] Inventors: **Albert L. Nagele**, Wilmette; **Steven C. Emmert**, Crystal Lake, both of Ill.

[73] Assignee: **Motorola, Inc.**, Schaumburg, Ill.

[**] Term: **14 Years**

[21] Appl. No.: **72,438**

[22] Filed: **Jun. 17, 1997**

[51] **LOC (6) Cl.** **14-03**

[52] **U.S. Cl.** **D14/240; D13/103**

[58] **Field of Search** D13/103, 119, D13/120, 133, 107, 108; 379/419, 420, 428, 440, 441-443, 454, 455, 446; D3/218; D14/107, 114, 137, 138, 140, 240, 256; 455/90, 347, 550-575; 429/96-100, 163, 176

[56] **References Cited**

U.S. PATENT DOCUMENTS

D. 358,128	5/1995	Berry et al.	D13/103
D. 366,659	1/1996	Ross et al.	D14/114
D. 384,641	10/1997	Robertson et al.	D13/133
D. 390,848	2/1998	Santee et al.	D14/240

D. 392,097	3/1998	Pottala et al.	D3/218
D. 395,277	6/1998	Finke-anlauff	D13/103
4,471,493	9/1984	Schober	455/90
5,535,274	7/1996	Braitberg et al.	379/446
5,745,579	4/1998	Newman	379/441 X

FOREIGN PATENT DOCUMENTS

3-85949 (A) 4/1991 Japan 379/455

Primary Examiner—Jeffrey Asch
Attorney, Agent, or Firm—John G. Rauch; Rolland R. Hackbart; Jonathan P. Meyer

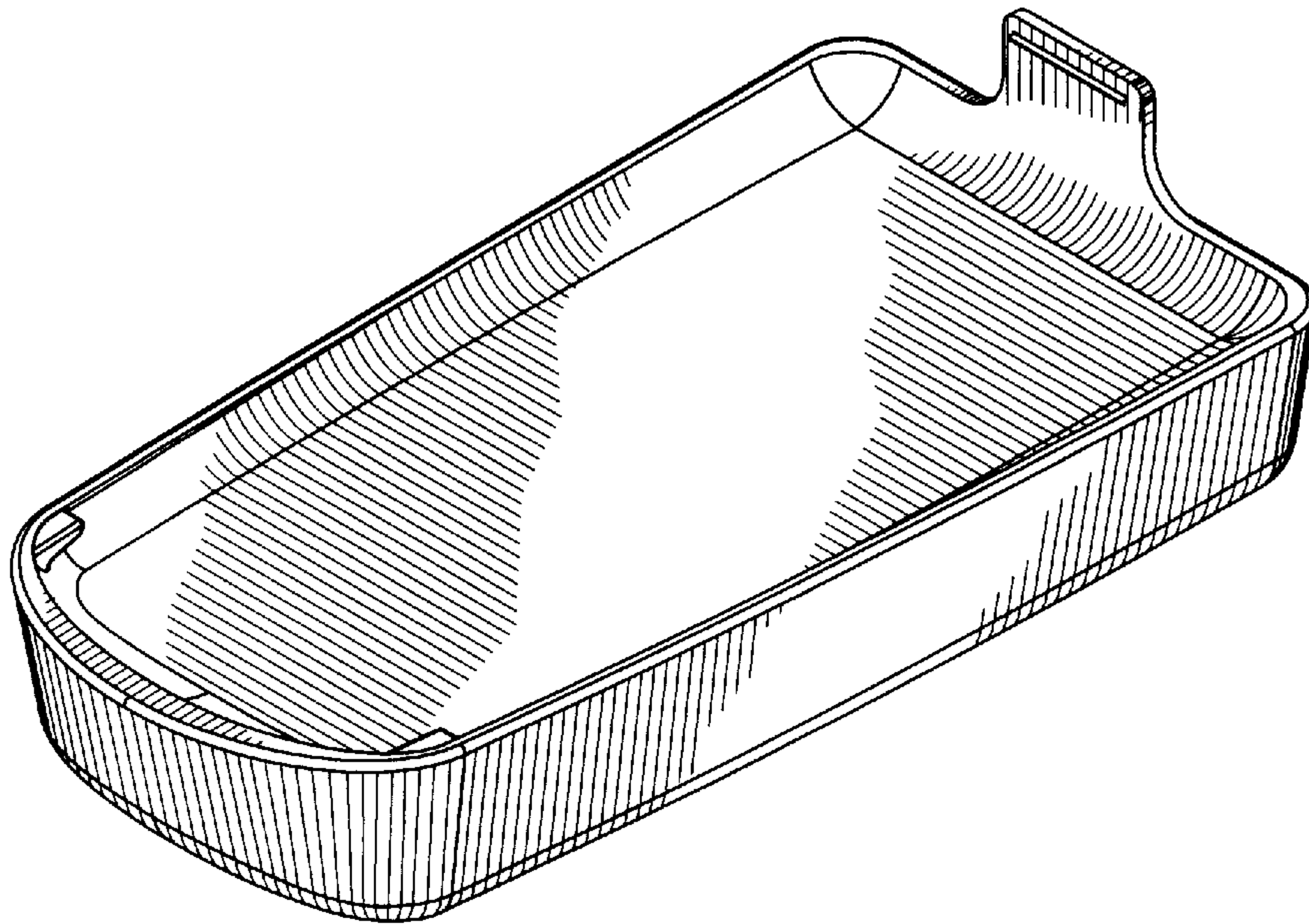
[57] **CLAIM**

The ornamental design for an accessory housing, as shown and described.

DESCRIPTION

FIG. 1 is a bottom, right, front perspective view of an accessory housing showing our new design; FIG. 2 is a top elevation view thereof; FIG. 3 is a rear elevation view thereof; and, FIG. 4 is a left elevation view thereof. The inside right of the accessory housing is a mirror image of the inside left as shown in FIG. 1.

1 Claim, 2 Drawing Sheets



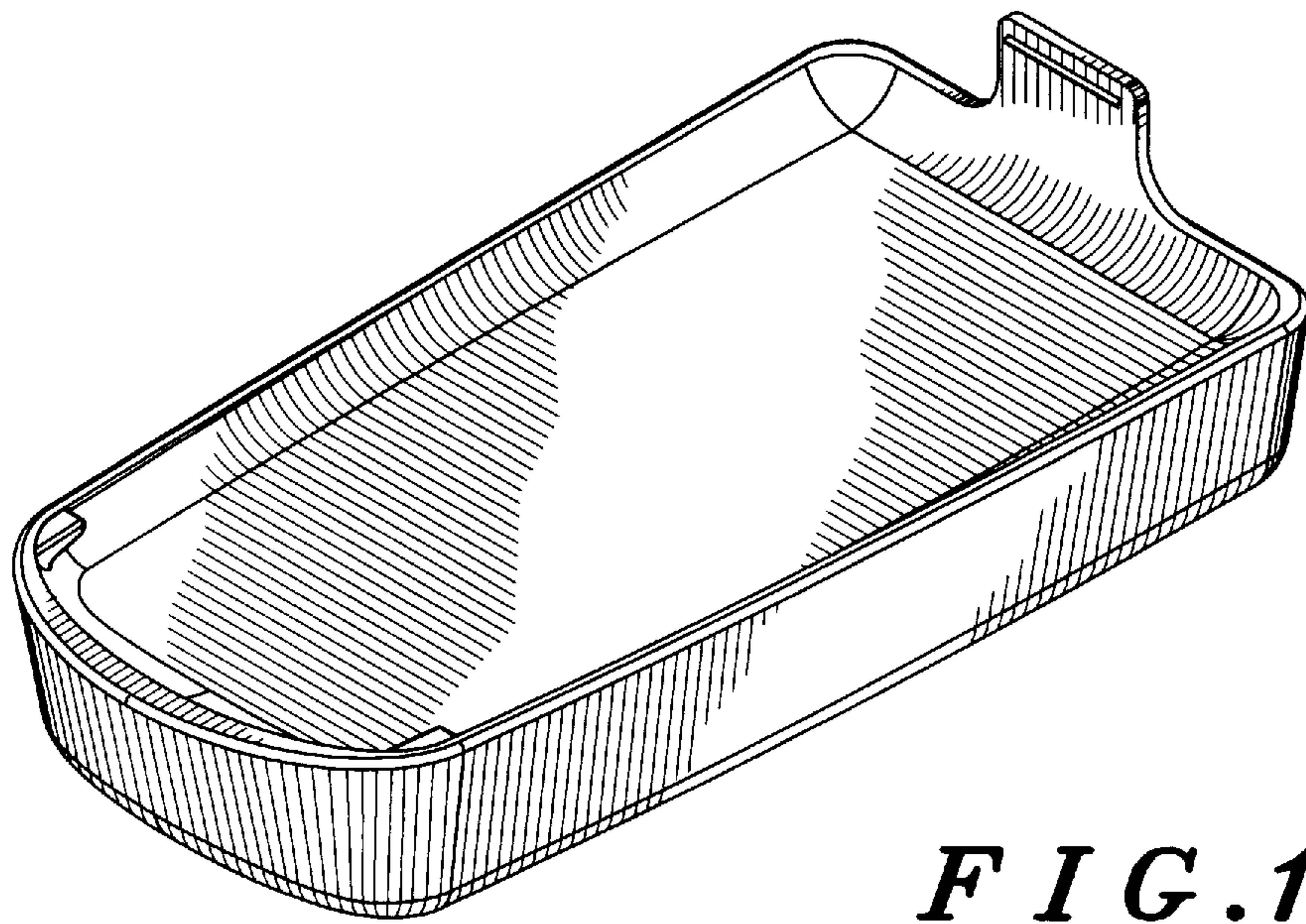


FIG. 1

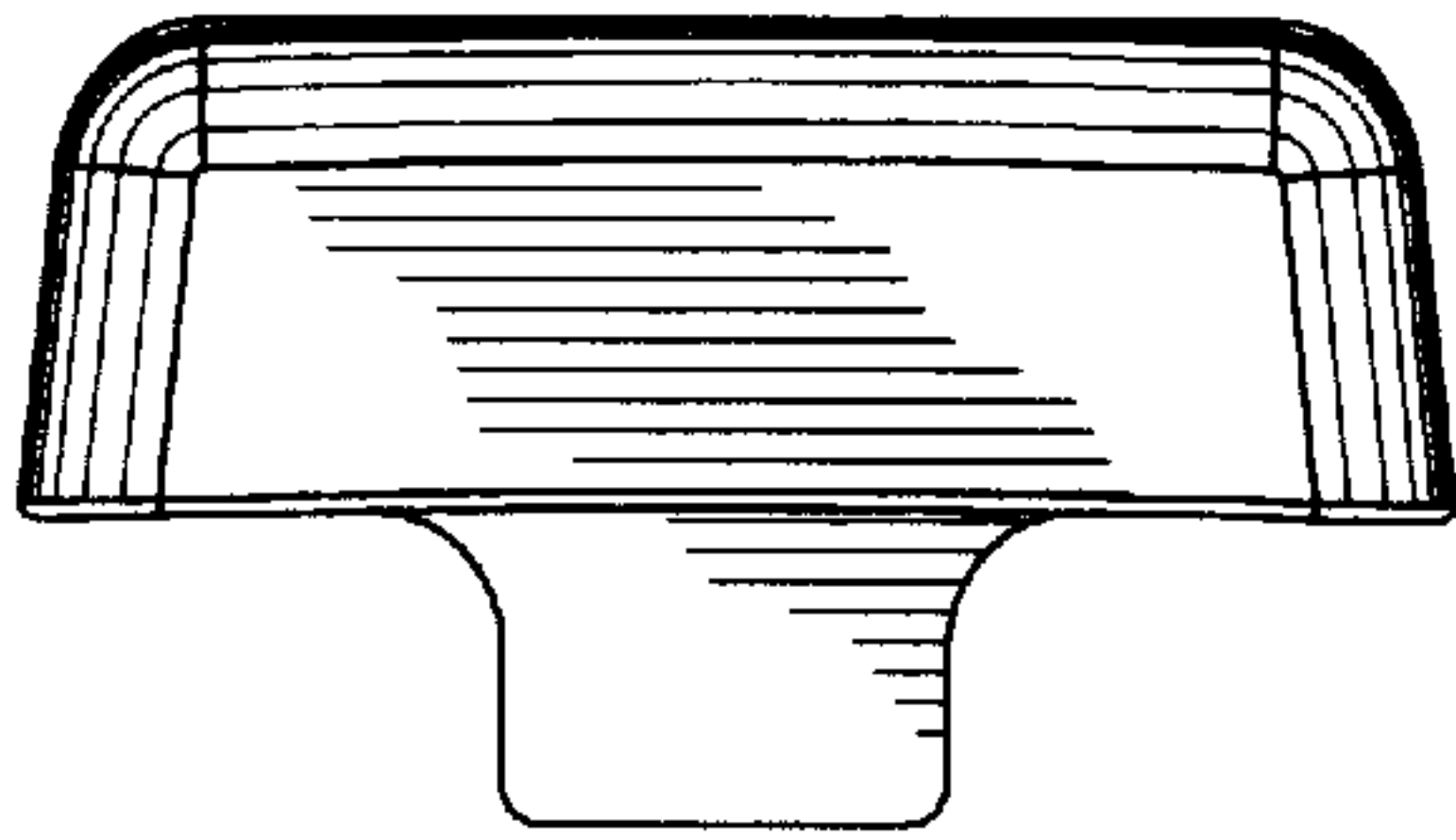


FIG. 2

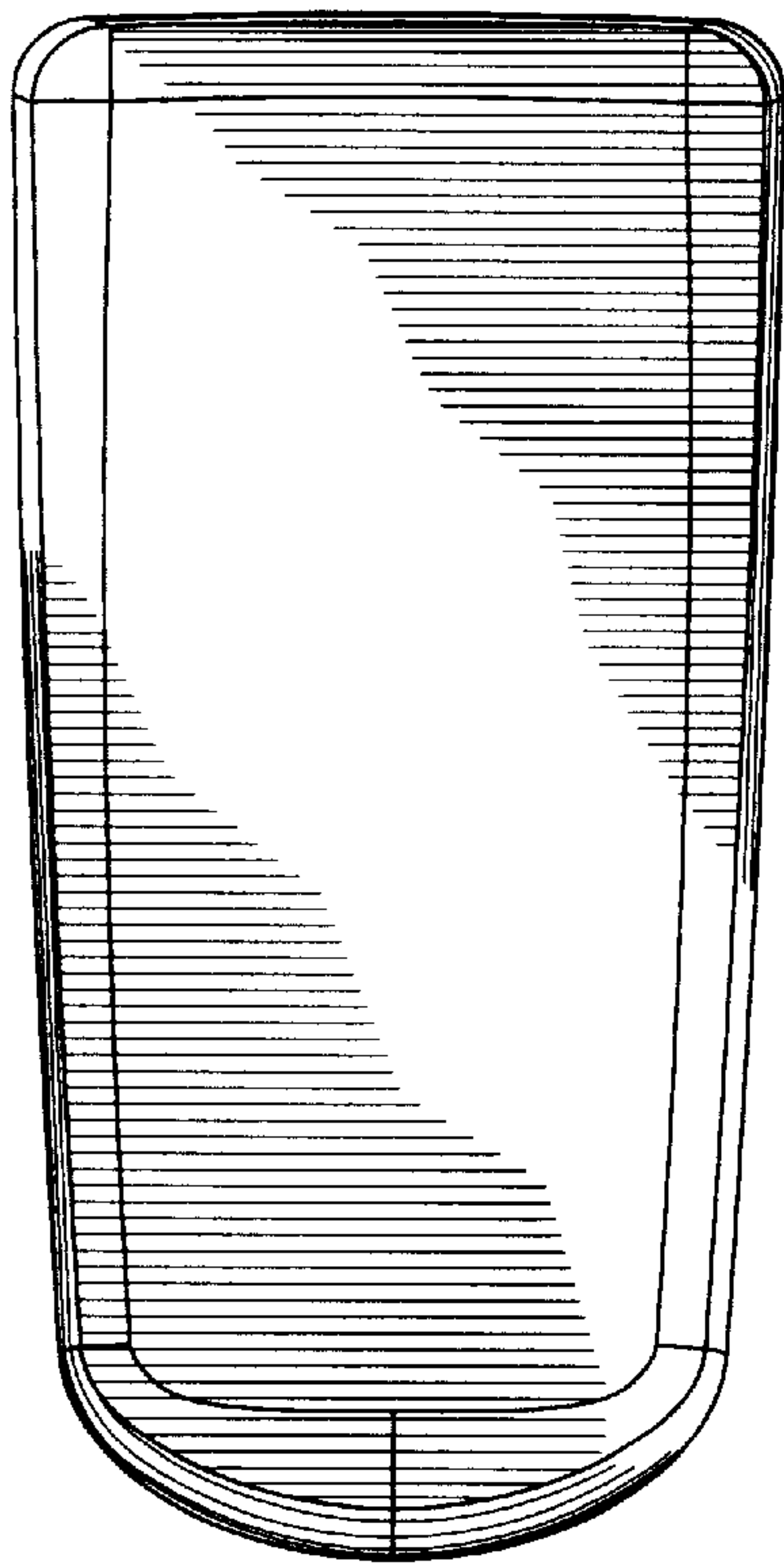


FIG. 3

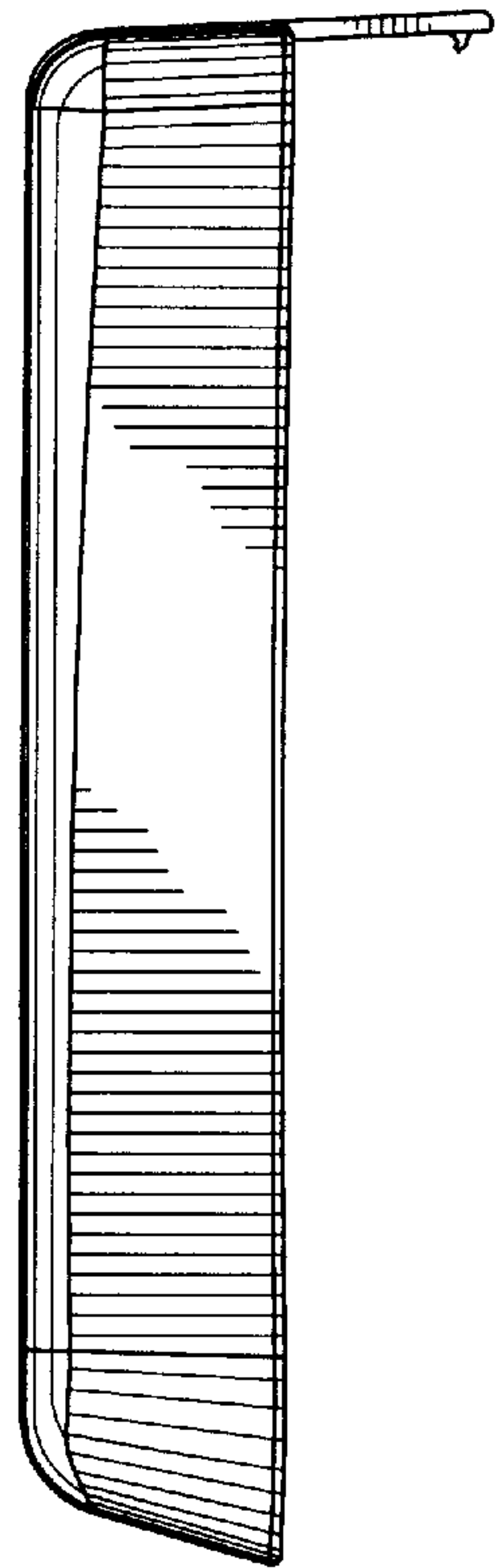


FIG. 4