



US00D407704S

United States Patent [19]

Ichijima et al.

[11] **Patent Number:** **Des. 407,704**

[45] **Date of Patent:** ****Apr. 6, 1999**

[54] **DIGITAL AUDIO DISK PLAYER FOR AUTOMOBILE**

[75] Inventors: **Mikiro Ichijima; Hiroyuki Nose; Kazutoshi Masunari**, all of Kanagawa, Japan

[73] Assignee: **Matsushita Electric Industrial Co., Ltd**, Japan

[**] Term: **14 Years**

[21] Appl. No.: **76,347**

[22] Filed: **Sep. 8, 1997**

[30] **Foreign Application Priority Data**

May 20, 1997 [JP] Japan 9-55099

[51] **LOC (6) Cl.** **14-03**

[52] **U.S. Cl.** **D14/157**

[58] **Field of Search** D14/135, 136, D14/156, 157, 160-164, 168, 188, 257, 258; 369/75.1, 75.2, 77.1, 77.2

[56] **References Cited**

U.S. PATENT DOCUMENTS

D. 281,685 12/1985 Takahashi et al. D14/156

D. 327,890 7/1992 Ito et al. D14/164
D. 372,915 8/1996 Ito et al. D14/188
4,674,080 6/1987 Higuchi et al. 369/77.2
5,177,730 1/1993 Utsugi 369/75.1

FOREIGN PATENT DOCUMENTS

843111 7/1992 Japan .
843112 7/1992 Japan .

Primary Examiner—Ted Shooman
Assistant Examiner—Nanda Bondade
Attorney, Agent, or Firm—Saidman DesignLaw Group

[57] **CLAIM**

The ornamental design for a digital audio disk player for automobile, as shown and described.

DESCRIPTION

FIG. 1 is a perspective view of the top, front and right side of a digital audio disk player for automobile showing our new design;
FIG. 2 is a front elevational view thereof;
FIG. 3 is a top plan view thereof;
FIG. 4 is a right side view thereof;
FIG. 5 is a left side view thereof;
FIG. 6 is a bottom view thereof; and,
FIG. 7 is a rear elevational view thereof.

1 Claim, 4 Drawing Sheets

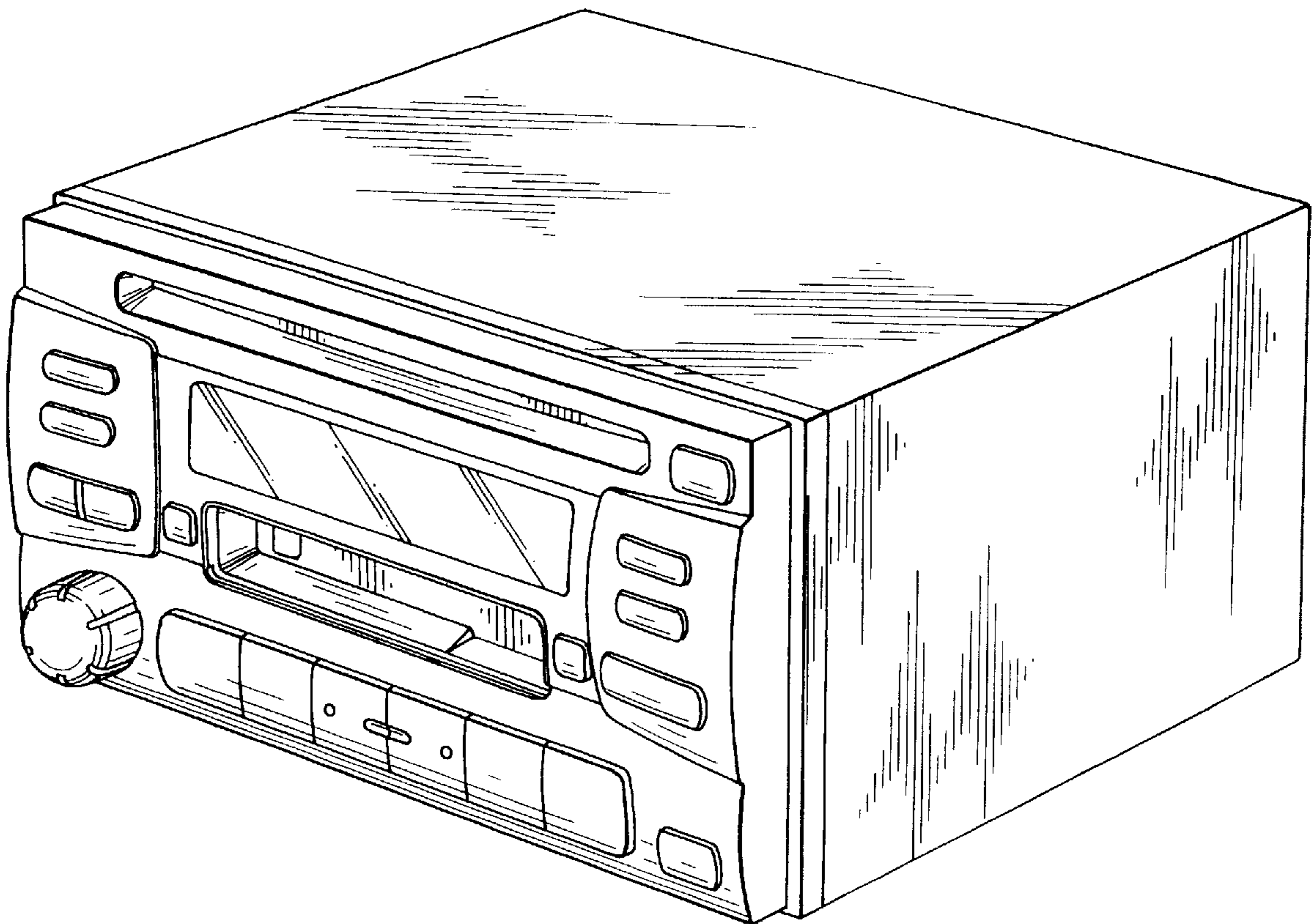


FIG. 1

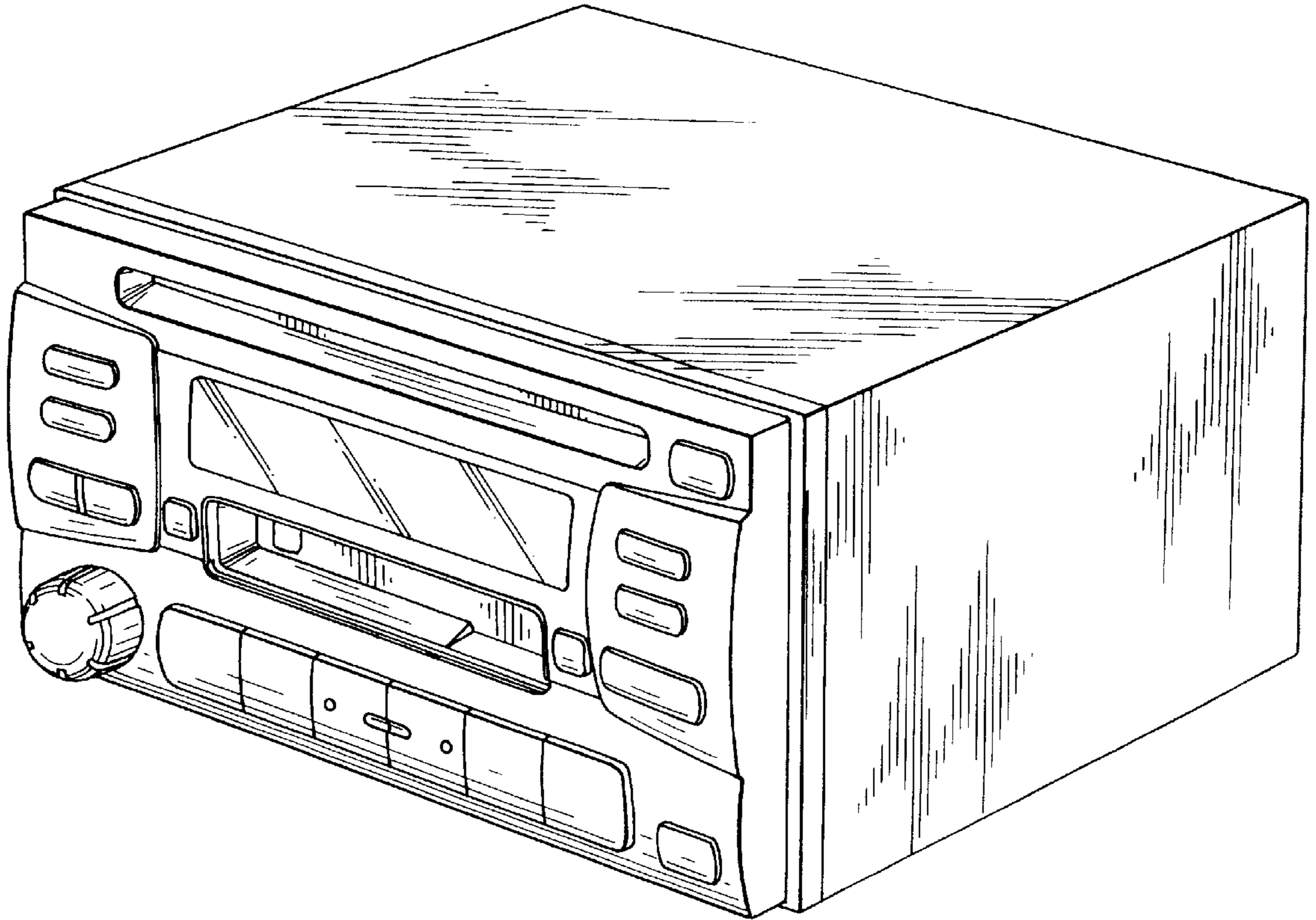


FIG. 2

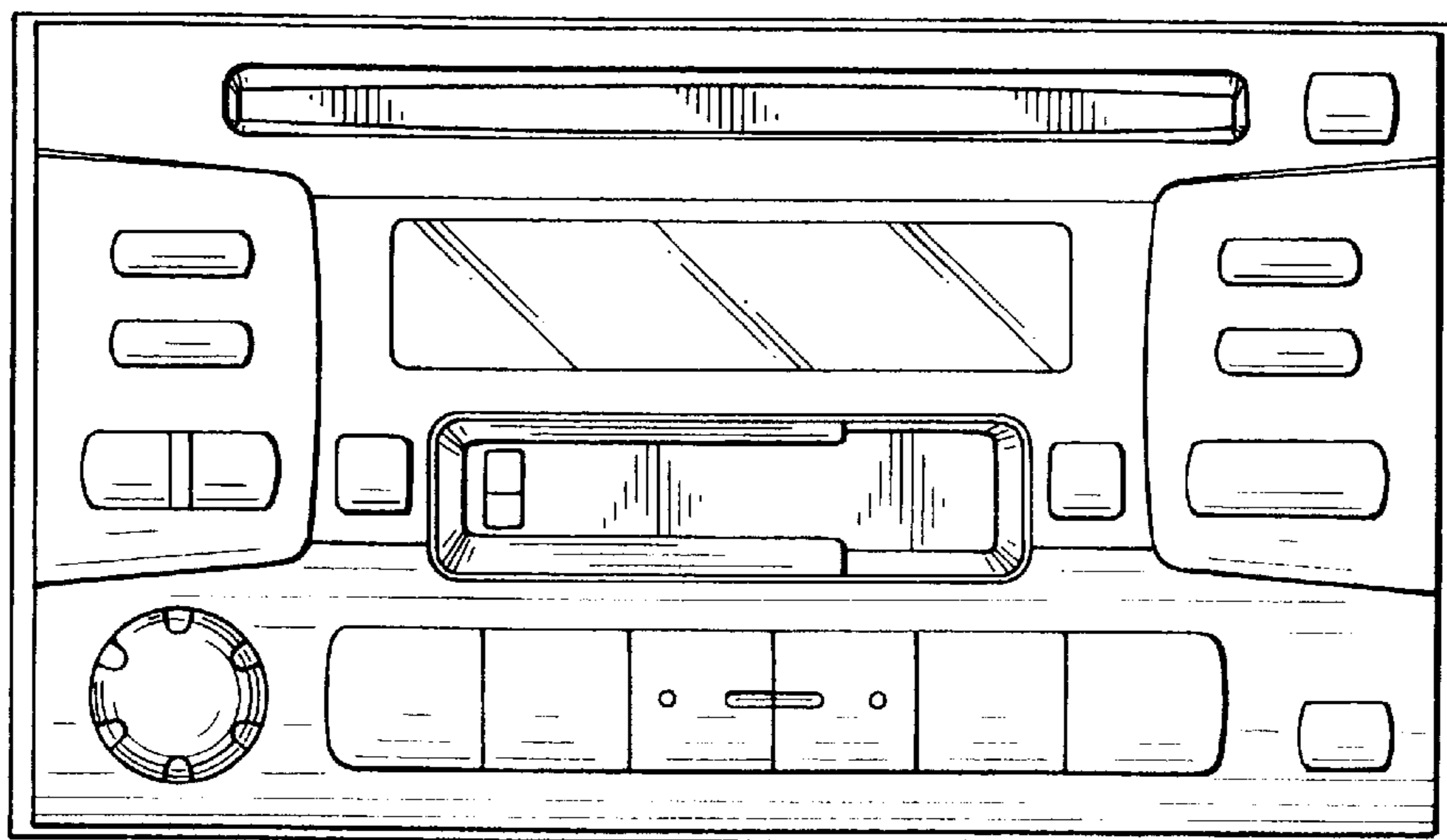


FIG. 3

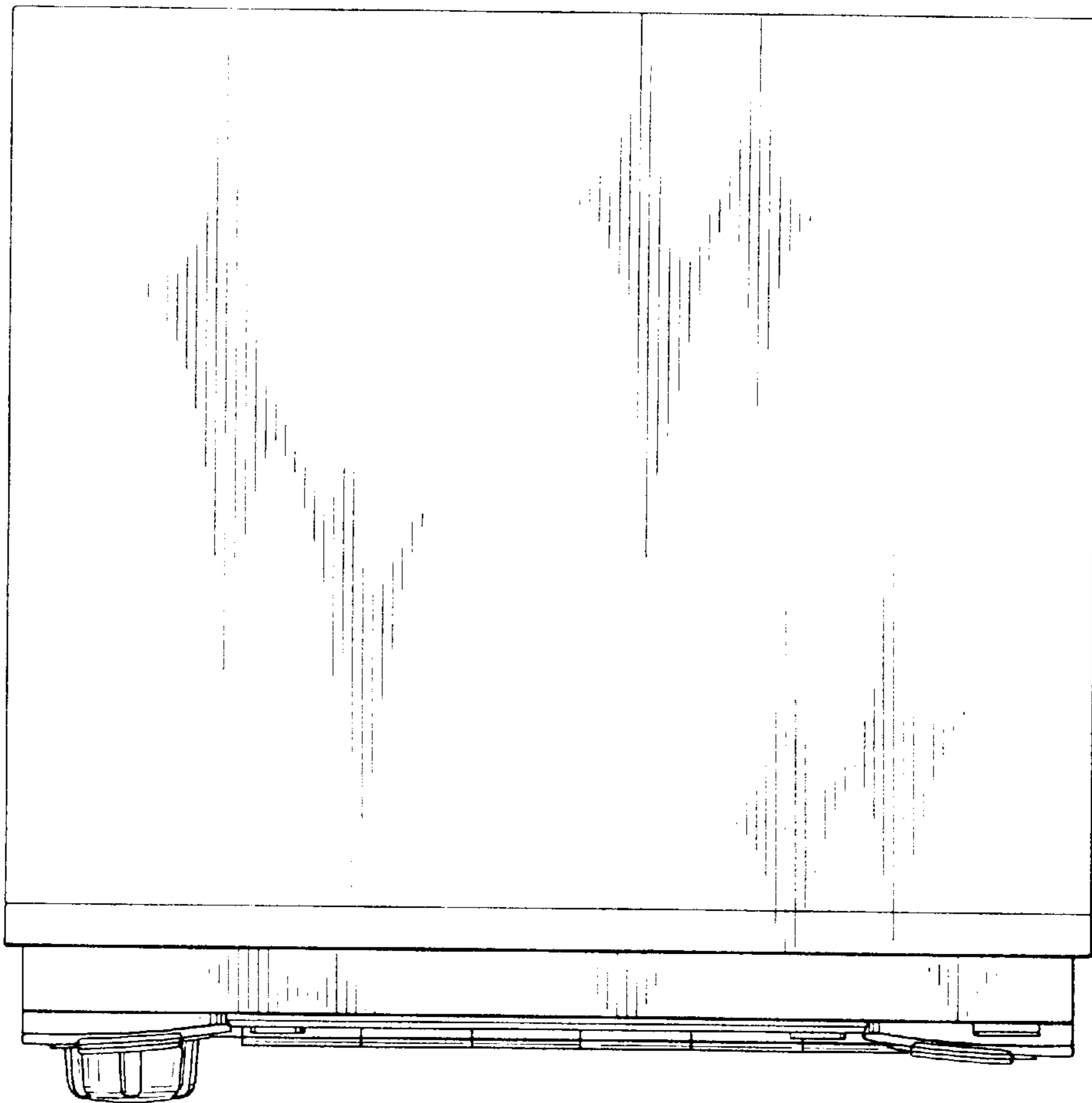


FIG. 4

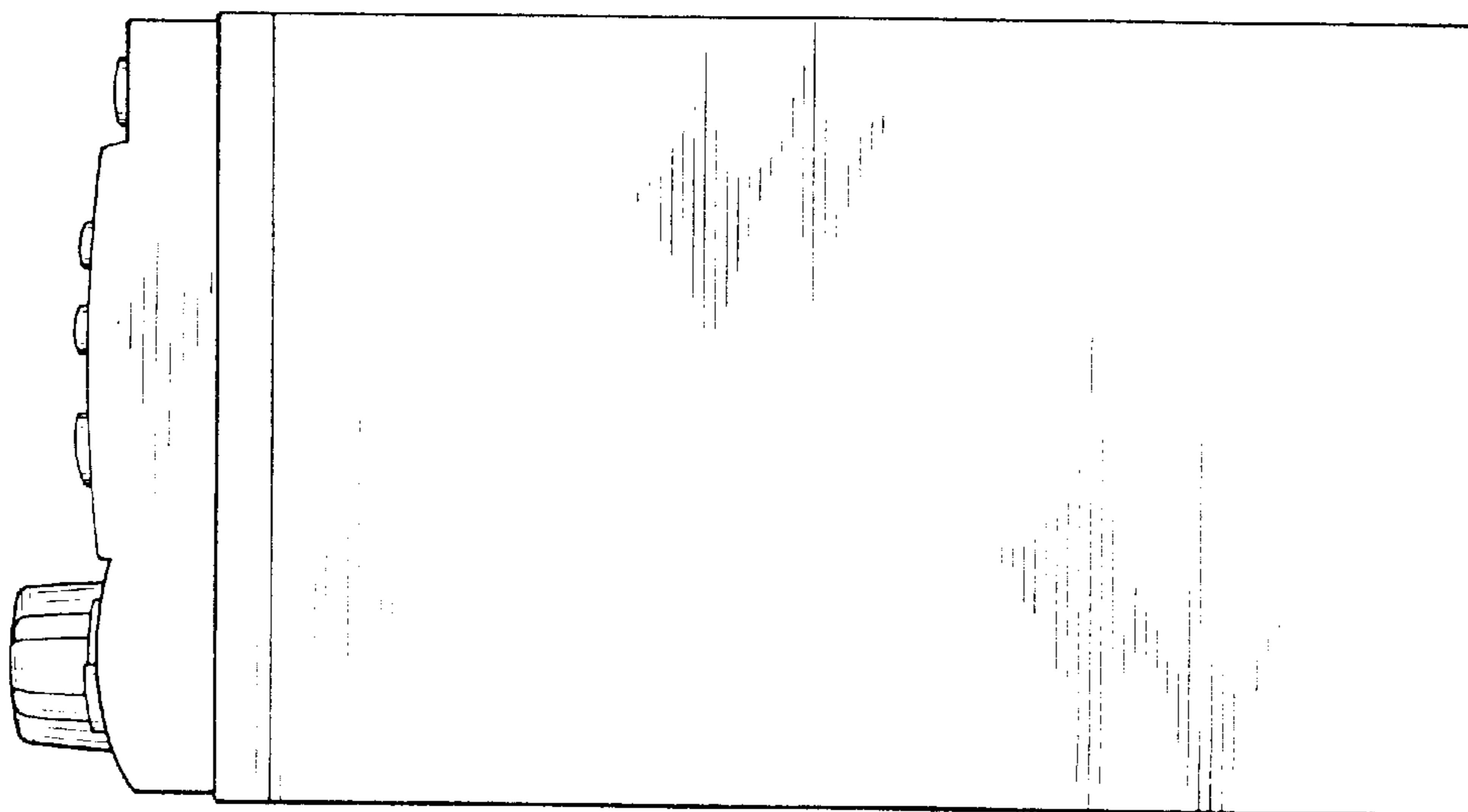


FIG. 5

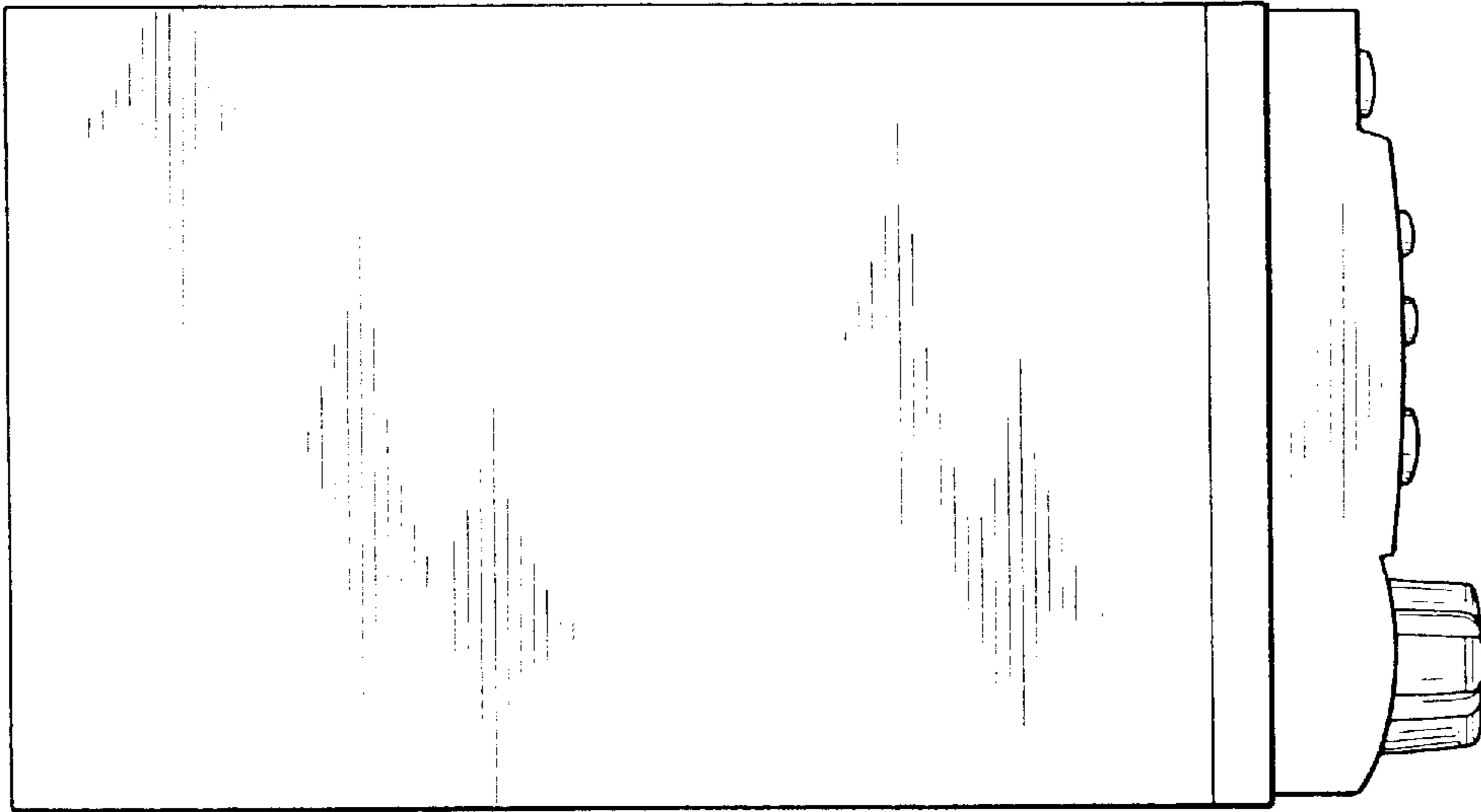


FIG. 6

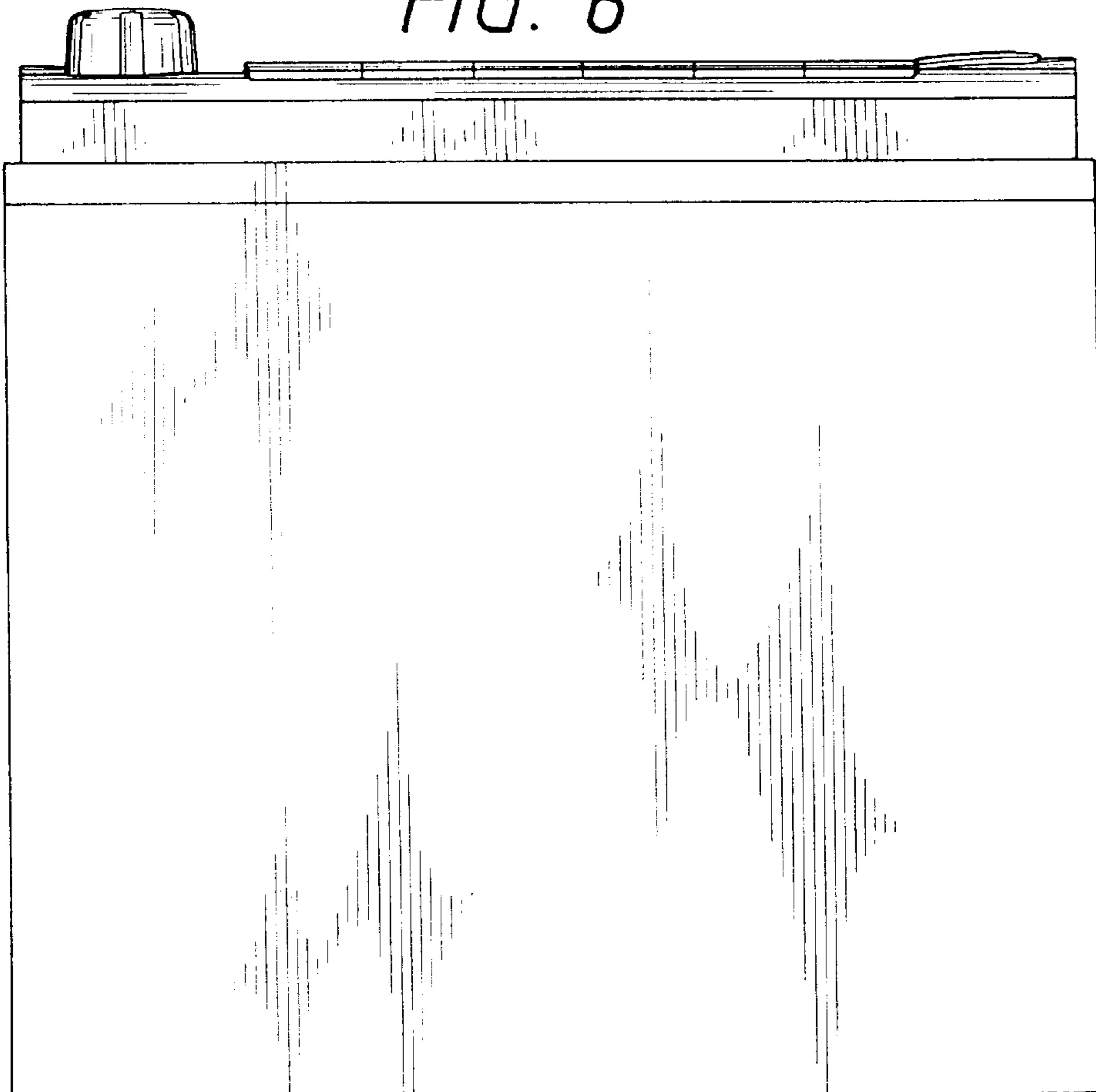


FIG. 7

