



US00D407697S

United States Patent [19]

Lee et al.

[11] **Patent Number:** **Des. 407,697**

[45] **Date of Patent:** ****Apr. 6, 1999**

[54] **FACEPLATE FOR A MODULE**

[75] Inventors: **Victor Ke-Ji Lee**, Plano; **An Ba Nguyen**, Richardson, both of Tex.

[73] Assignee: **Lucent Technologies Inc.**, Murray Hill, N.J.

[**] Term: **14 Years**

[21] Appl. No.: **81,301**

[22] Filed: **Dec. 29, 1997**

[51] **LOC (6) Cl.** **14-02**

[52] **U.S. Cl.** **D14/114**

[58] **Field of Search** D14/100, 107, D14/109, 114; 361/686, 679-87, 600, 622, 627-36; 200/5 R, 5 A, 6 R, 6 A; D13/184, 199; 360/97.01-99.12

[56] **References Cited**

U.S. PATENT DOCUMENTS

D. 279,187 6/1985 Tsumura et al. D14/100
D. 305,229 12/1989 Milani D14/114

D. 330,198 10/1992 Lajara et al. D14/114
D. 345,345 3/1994 Falkenberg et al. D14/100
D. 357,002 4/1995 Kimbrough D14/100
5,077,683 12/1991 Aydin 361/686

Primary Examiner—M. H. Tung

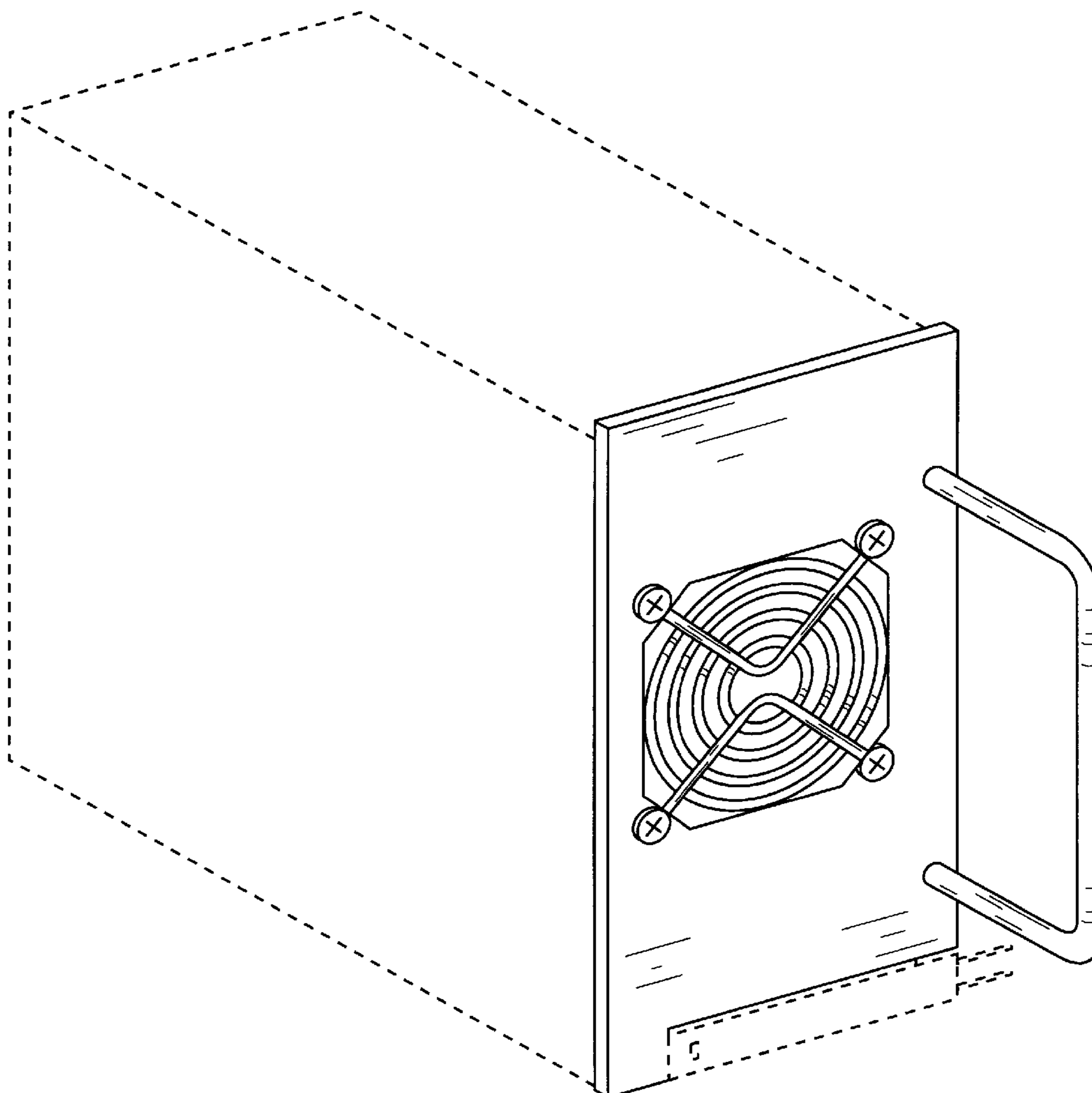
[57] **CLAIM**

An ornamental design for a faceplate for a module, as shown and described.

DESCRIPTION

FIG. 1 is an isometric view of the faceplate attachable to a module incorporating the new design on an enlarged scale; FIG. 2 is a front elevational view of the faceplate; FIG. 3 is a back elevational view of the faceplate; FIG. 4 is a left side elevational view of the faceplate; FIG. 5 is a right side elevational view of the faceplate; FIG. 6 is a top elevational view of the faceplate; and, FIG. 7 is a bottom elevational view of the faceplate. The broken line drawing of a module in all figure views is for illustrative purposes only and forms no part of the claimed design.

1 Claim, 4 Drawing Sheets



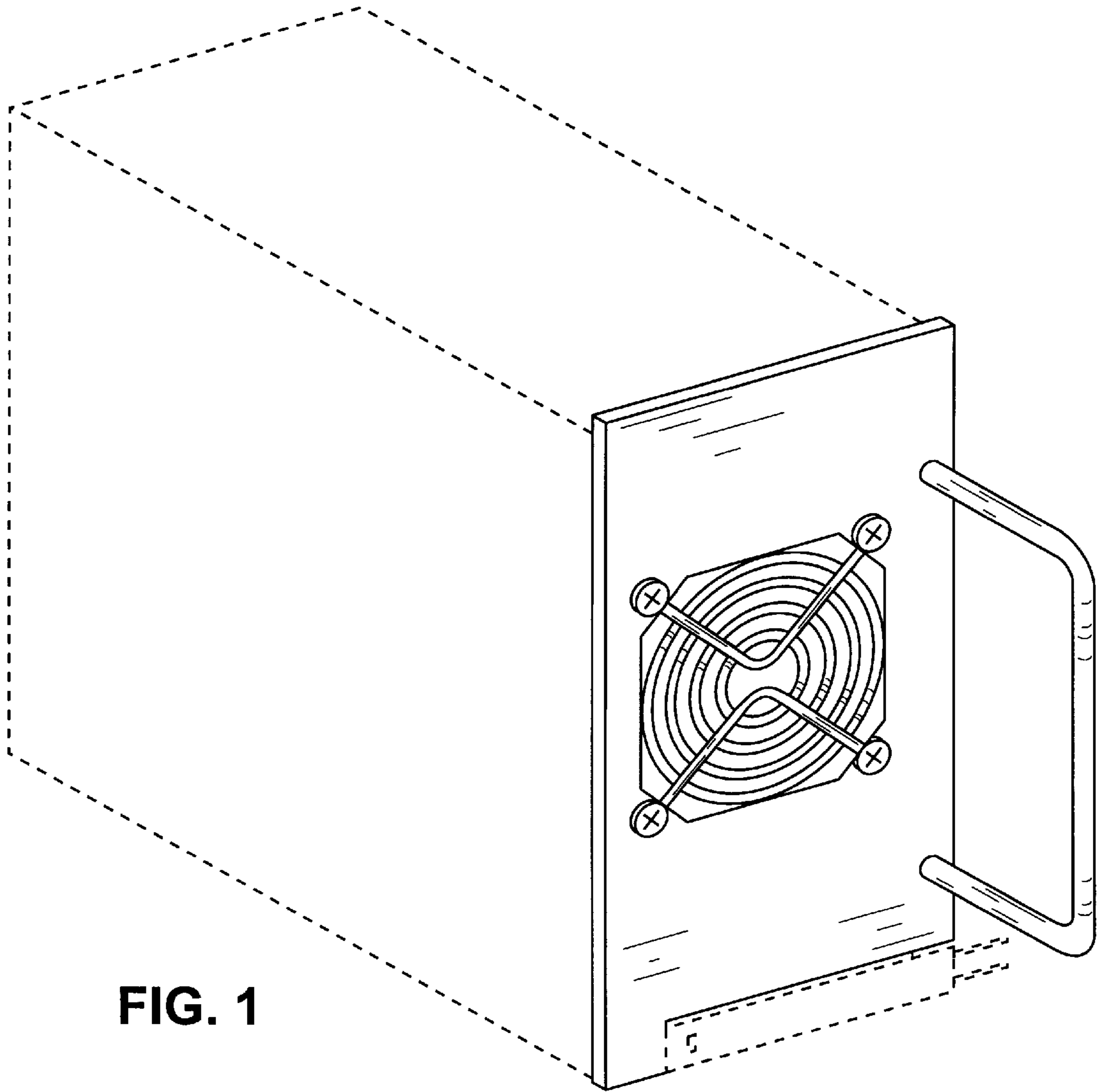


FIG. 1

FIG. 2

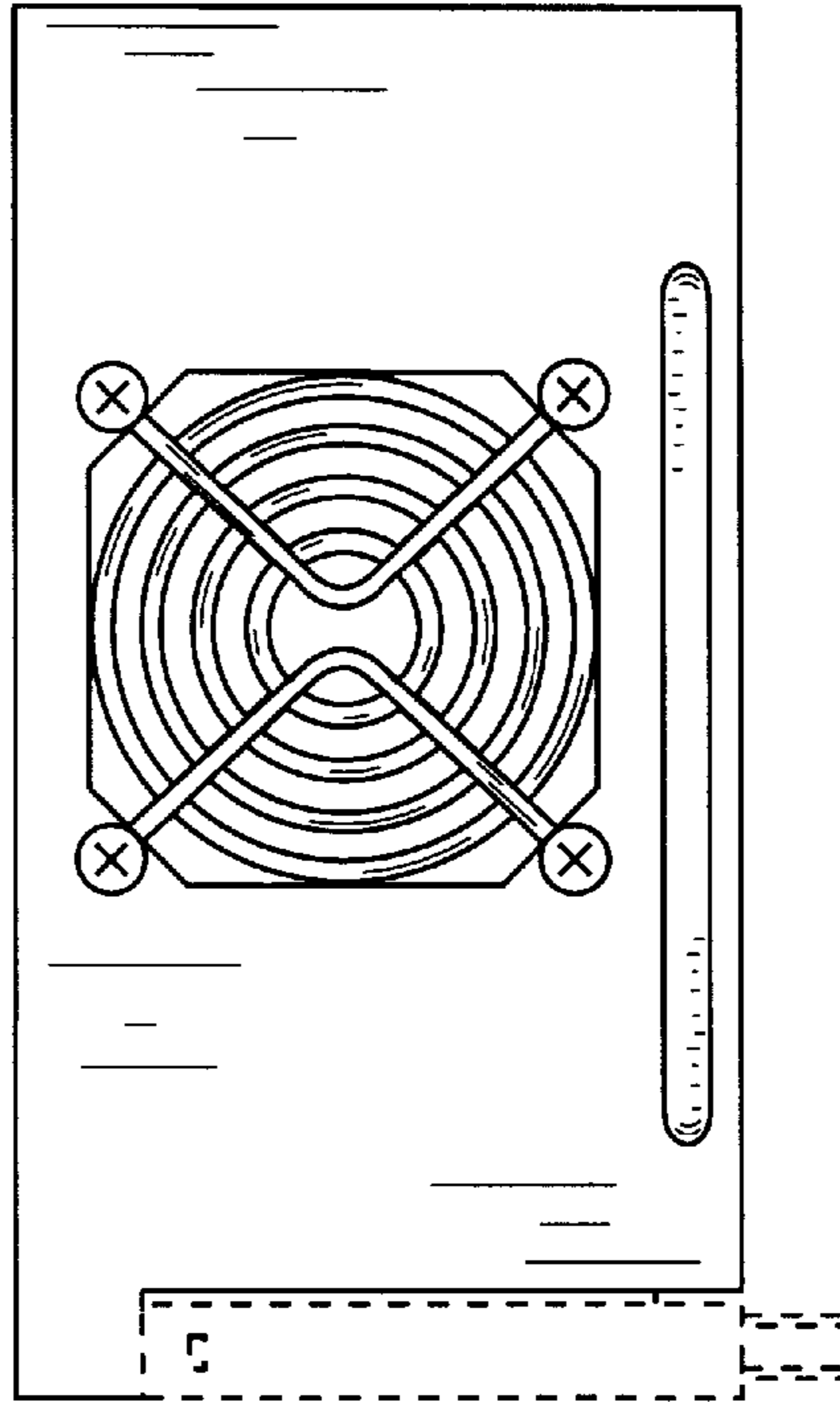
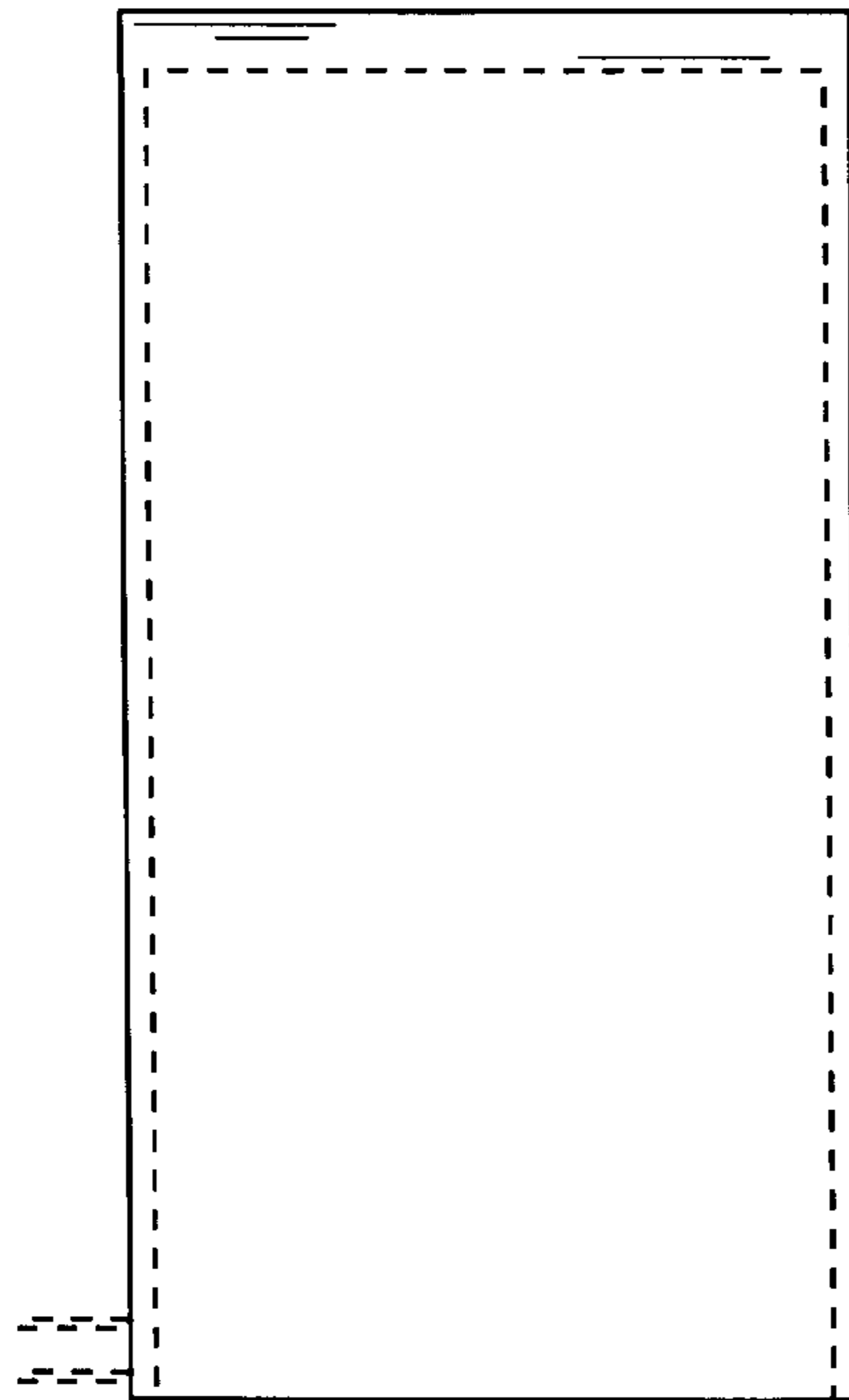


FIG. 3



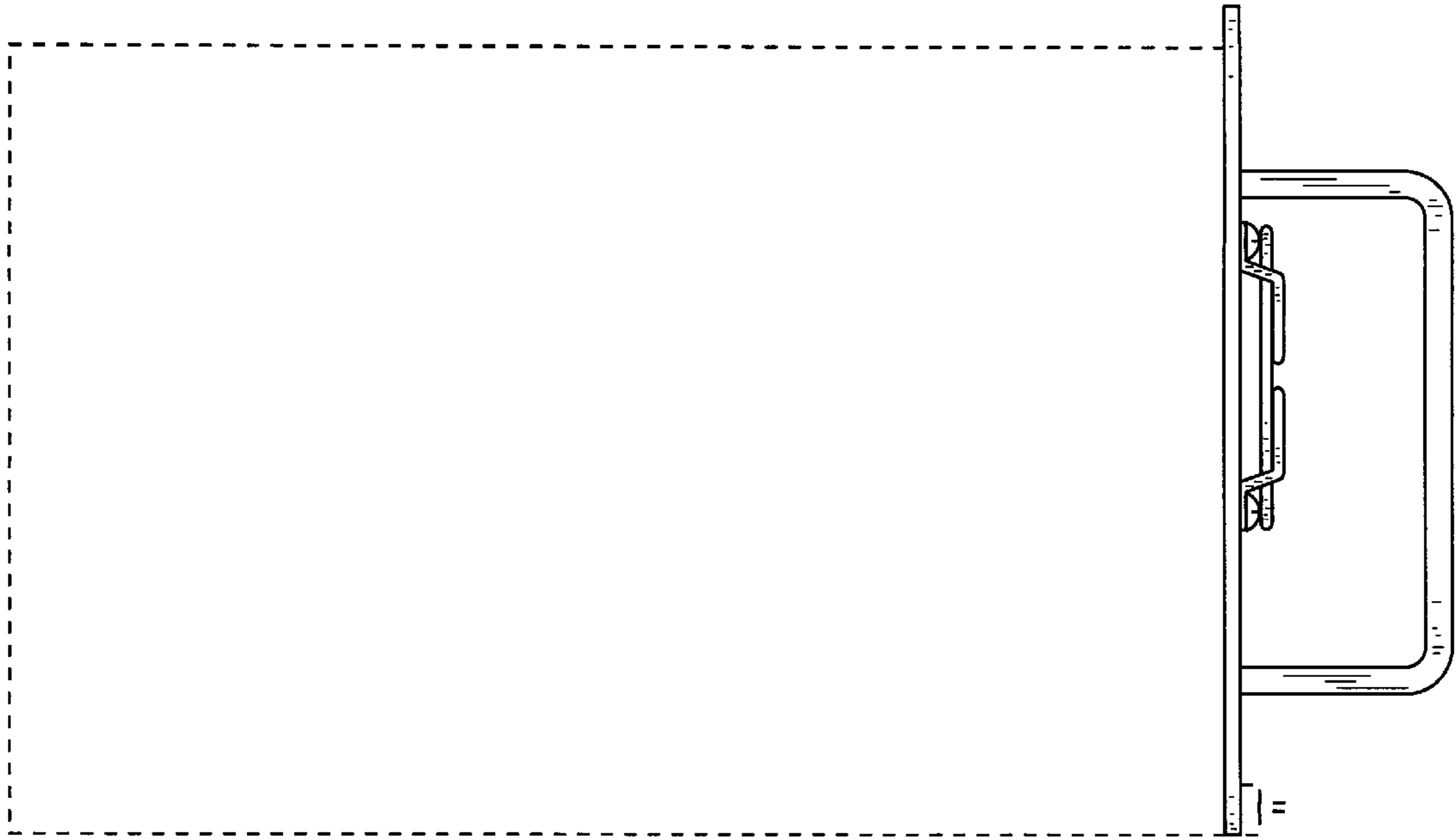


FIG. 4

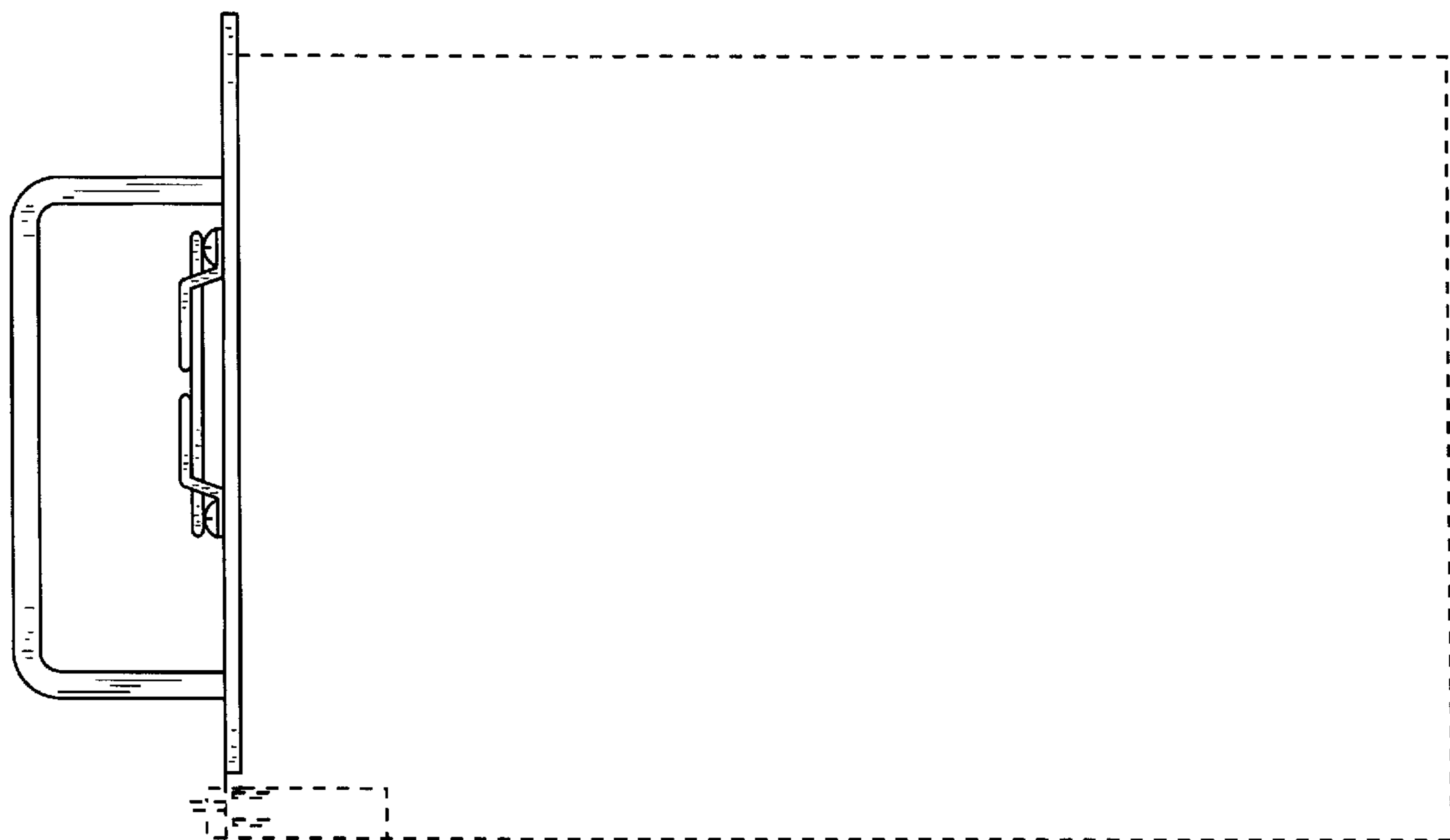


FIG. 5

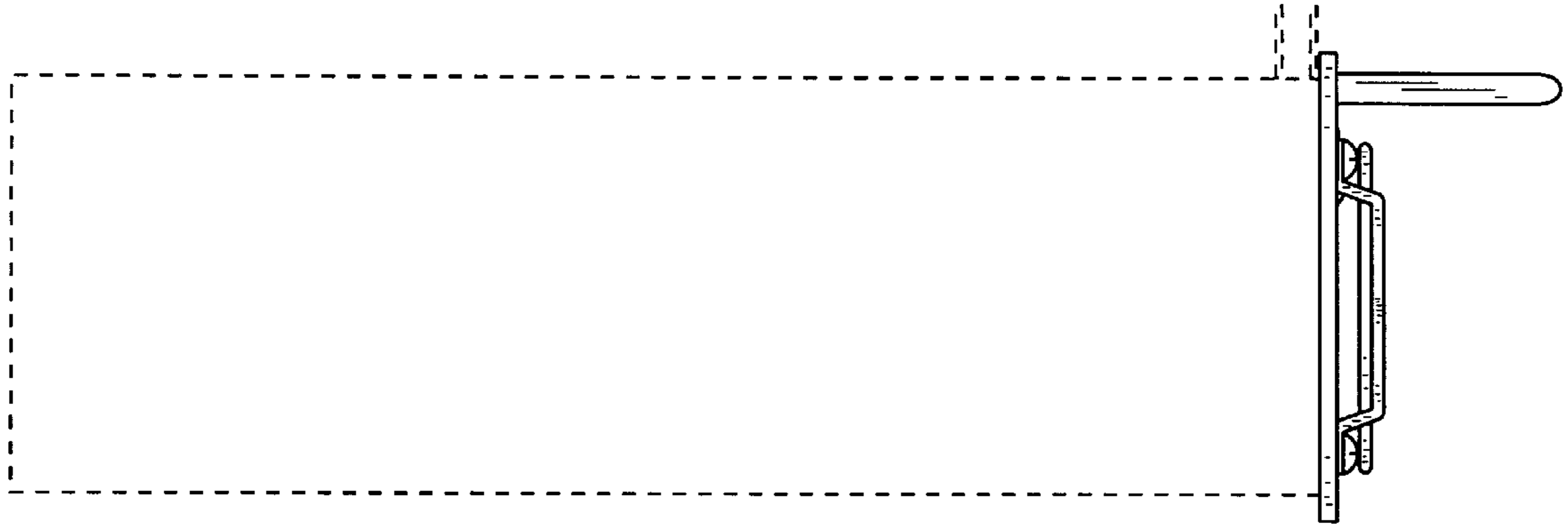


FIG. 6



FIG. 7