



US00D407694S

United States Patent [19]

Hill et al.

[11] **Patent Number: Des. 407,694**

[45] **Date of Patent: **Apr. 6, 1999**

[54] **ELECTRICAL POWER OPERATOR FOR SWITCHGEAR**

[75] Inventors: **Douglas B. Hill**, Mississauga; **Terrence S. Kerr**, Guelph, both of Canada

[73] Assignee: **S&C Electric Company**, Chicago, Ill.

[**] Term: **14 Years**

[21] Appl. No.: **82,147**

[22] Filed: **Dec. 22, 1997**

[51] **LOC (6) Cl.** **13-03**

[52] **U.S. Cl.** **D13/162**

[58] **Field of Search** **D13/162; 307/125**

[56] **References Cited**

U.S. PATENT DOCUMENTS

| | | | | |
|------------|---------|-----------------------|-------|---------|
| D. 315,144 | 3/1991 | Dard et al. | | D13/162 |
| D. 352,725 | 11/1994 | Crawley | | D13/162 |
| D. 384,037 | 9/1997 | Hamada | | D13/162 |
| D. 394,842 | 6/1998 | Kellstedt, Jr. et al. | | D13/162 |

5,552,646 9/1996 Frede 307/125 X

Primary Examiner—Brian N. Vinson
Attorney, Agent, or Firm—James V. Lapacek

[57] CLAIM

The ornamental design for an electrical power operator for switchgear, as shown and described.

DESCRIPTION

FIG. 1 is a perspective view of the electrical power operator for switchgear showing our new design;

FIG. 2 is another perspective view of the electrical power operator for switchgear of FIG. 1 taken from a different point of reference;

FIG. 3 is a front elevational thereof;

FIG. 4 is a rear elevational bottom plan view thereof;

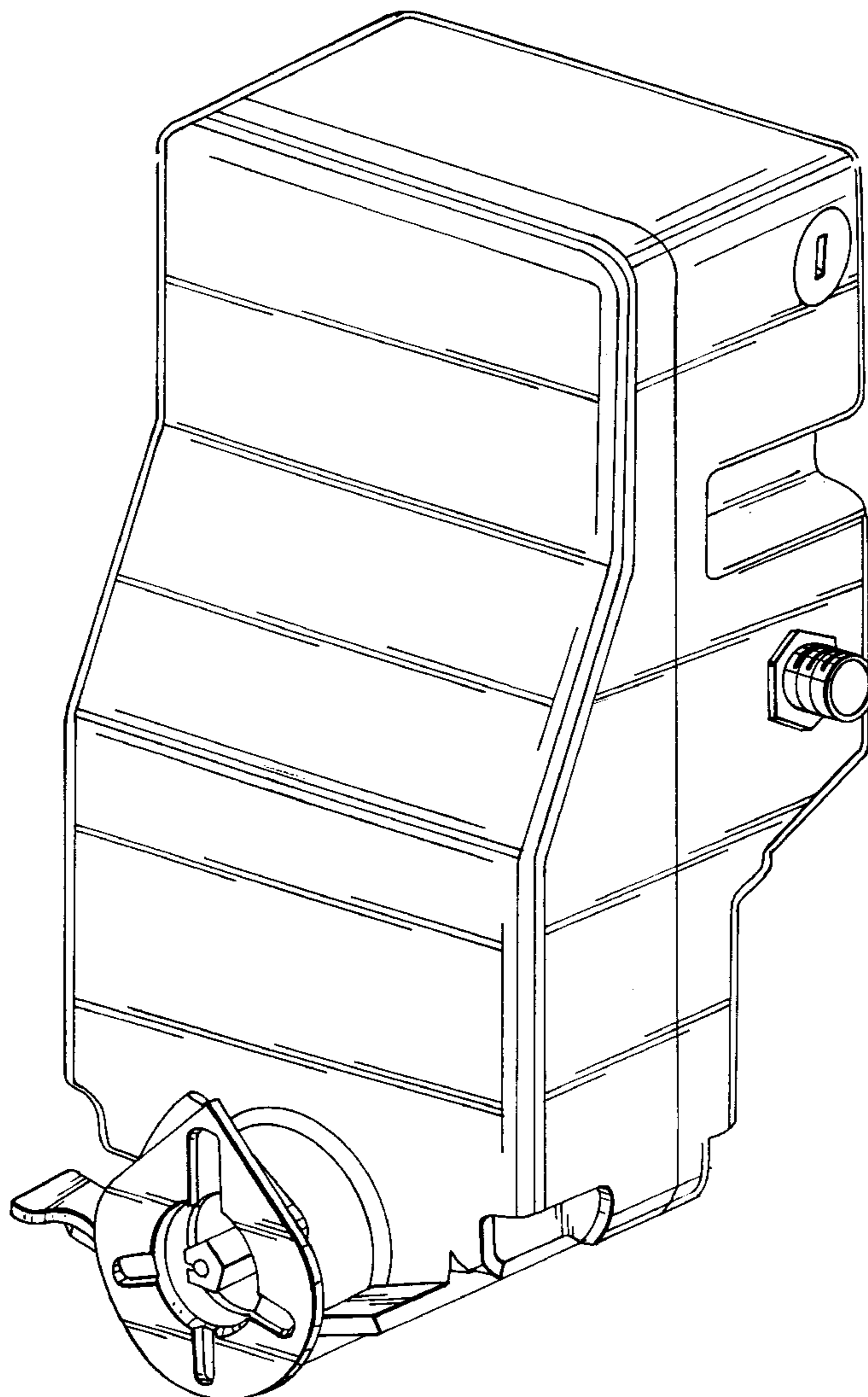
FIG. 5 is a left side elevational view thereof;

FIG. 6 is a right side elevational view thereof;

FIG. 7 is a top plan view; and,

FIG. 8 is a bottom plan view.

1 Claim, 7 Drawing Sheets



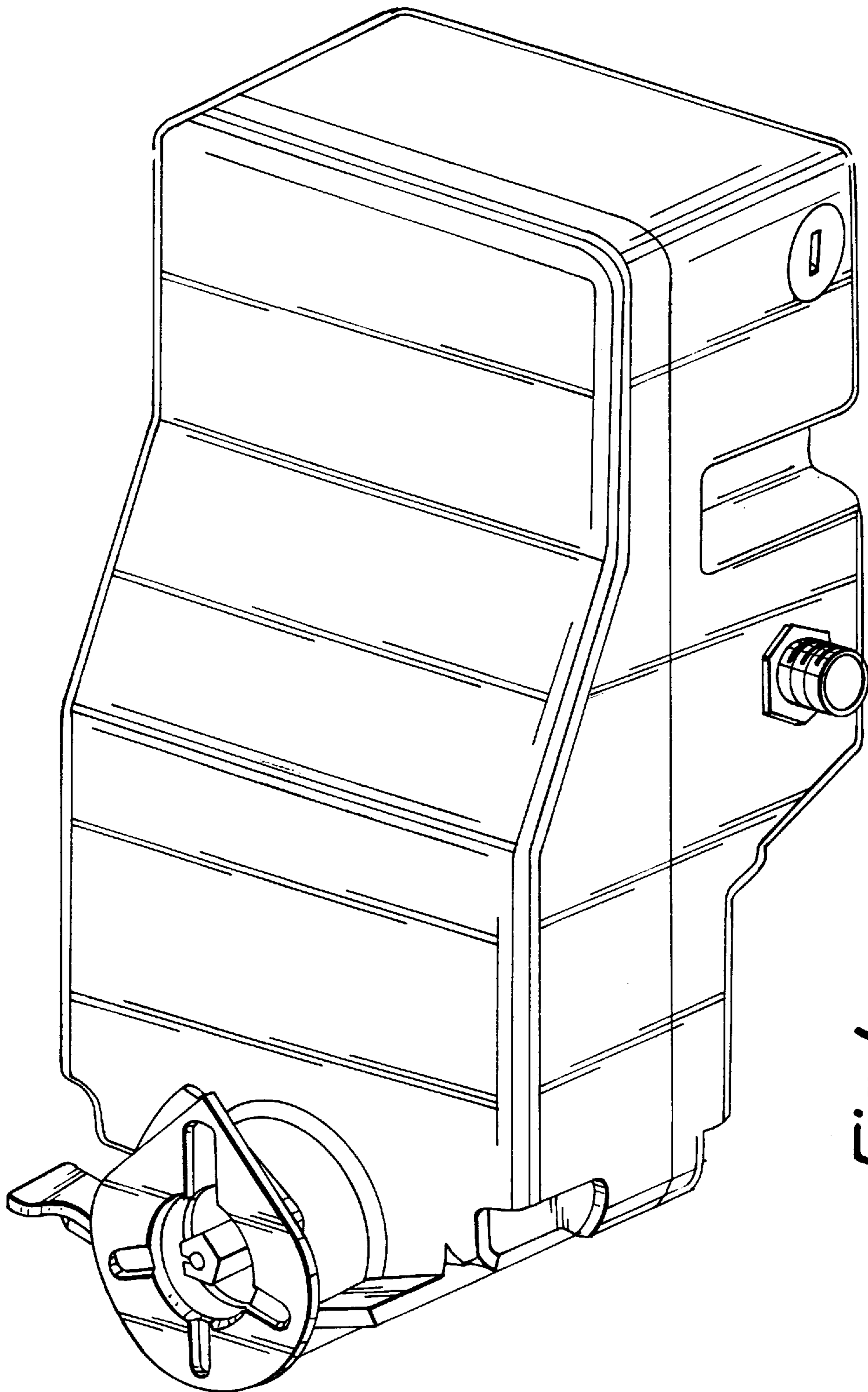


Fig. 1

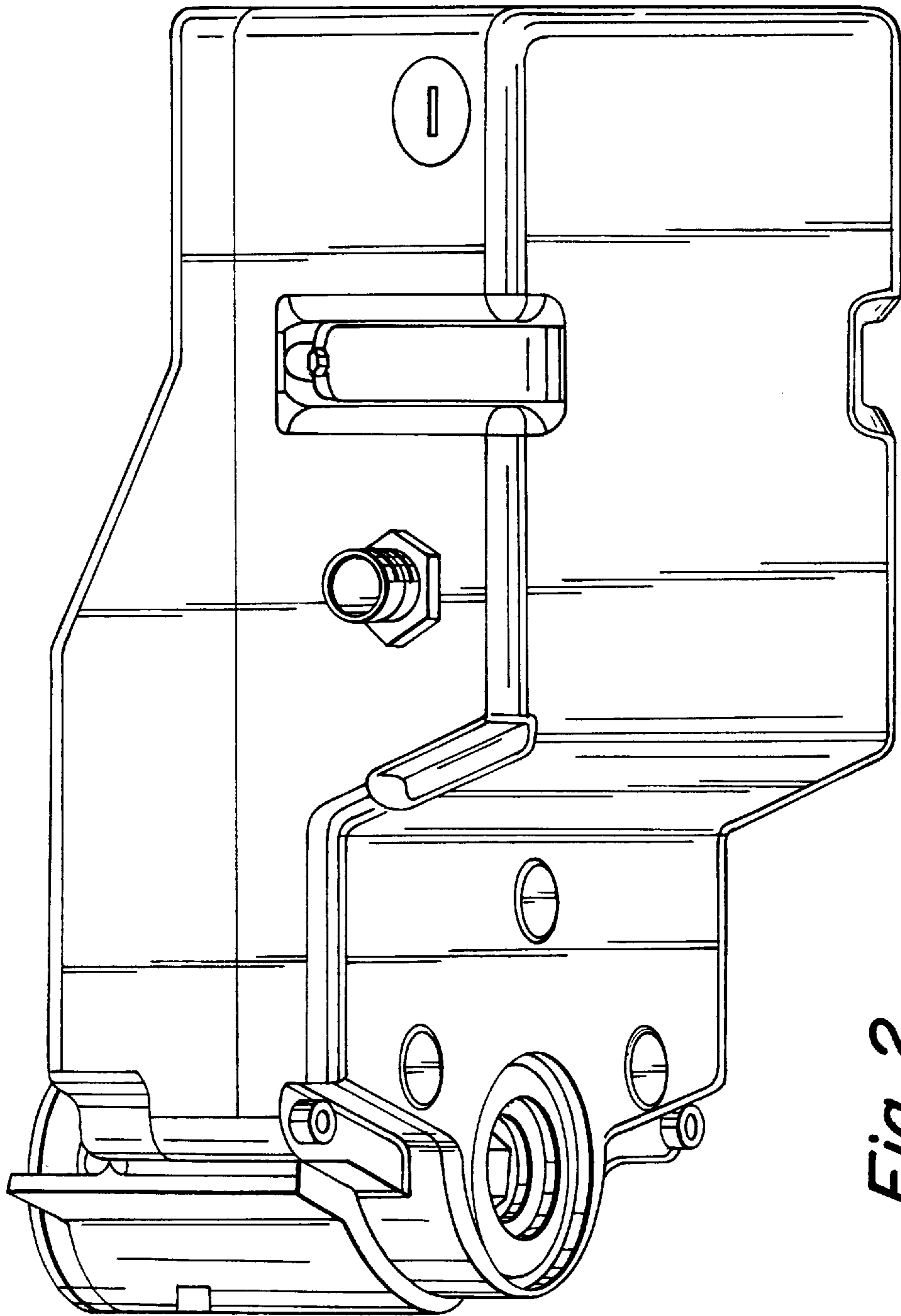


Fig. 2

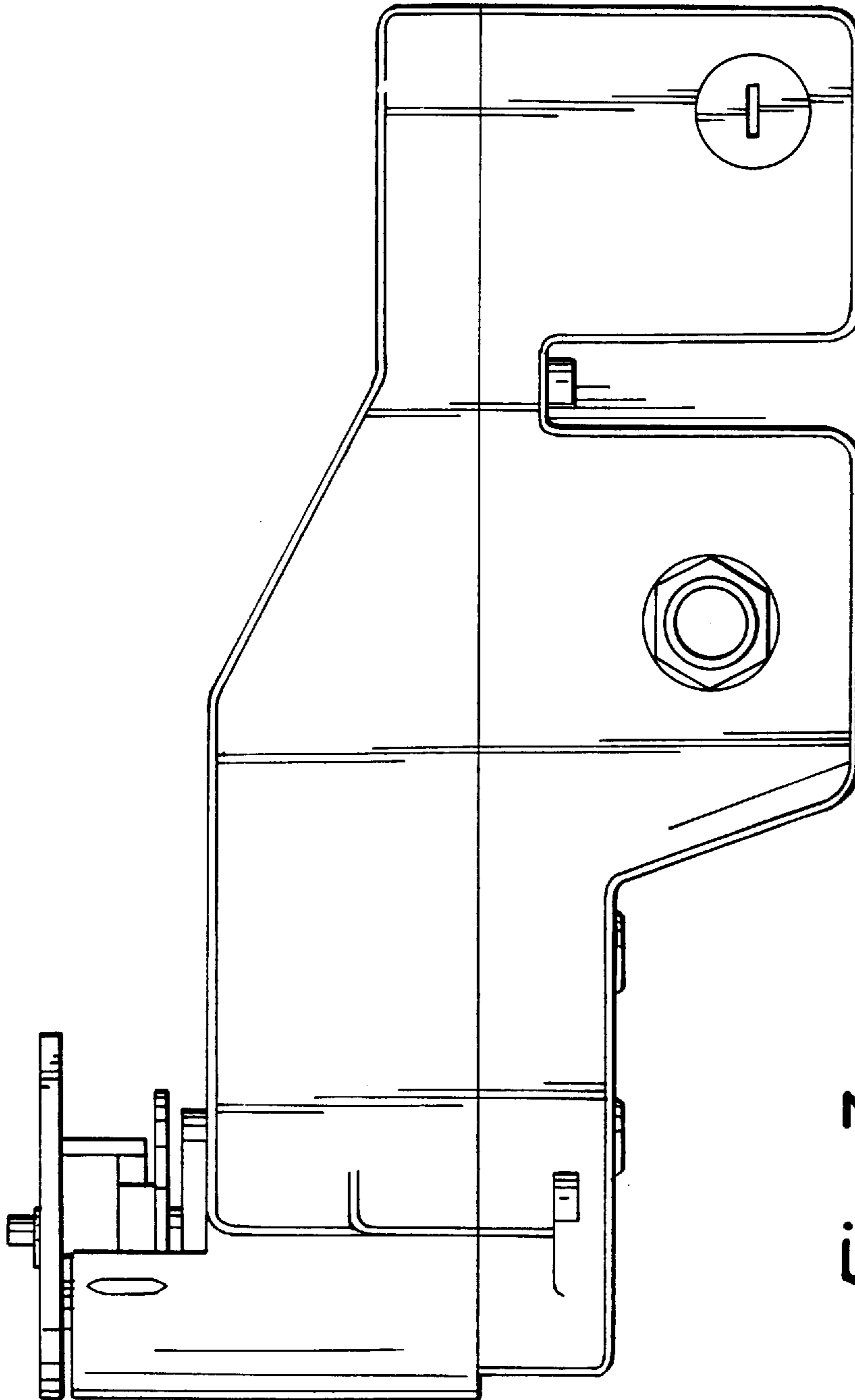


Fig. 3

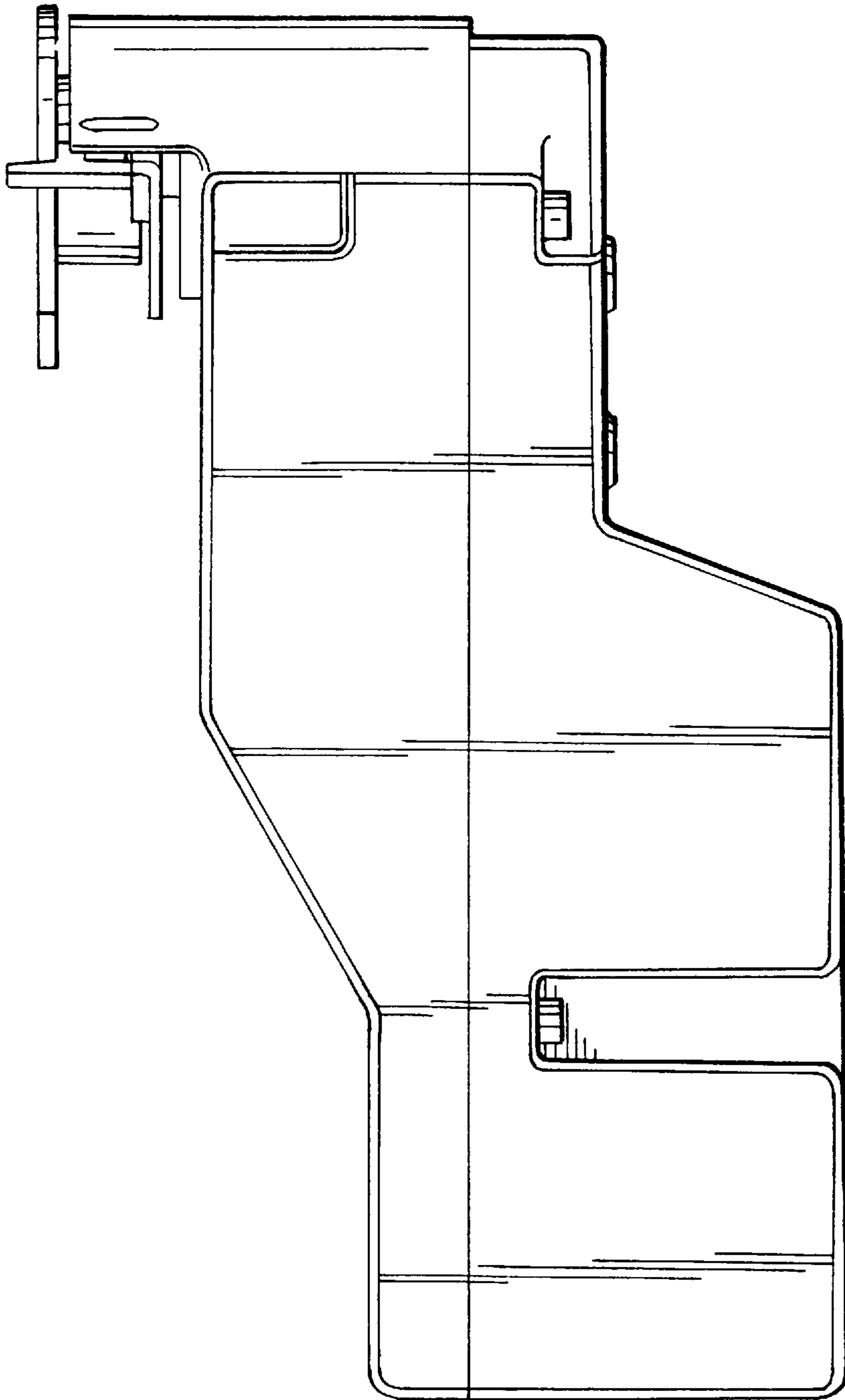


Fig. 4

Fig. 5

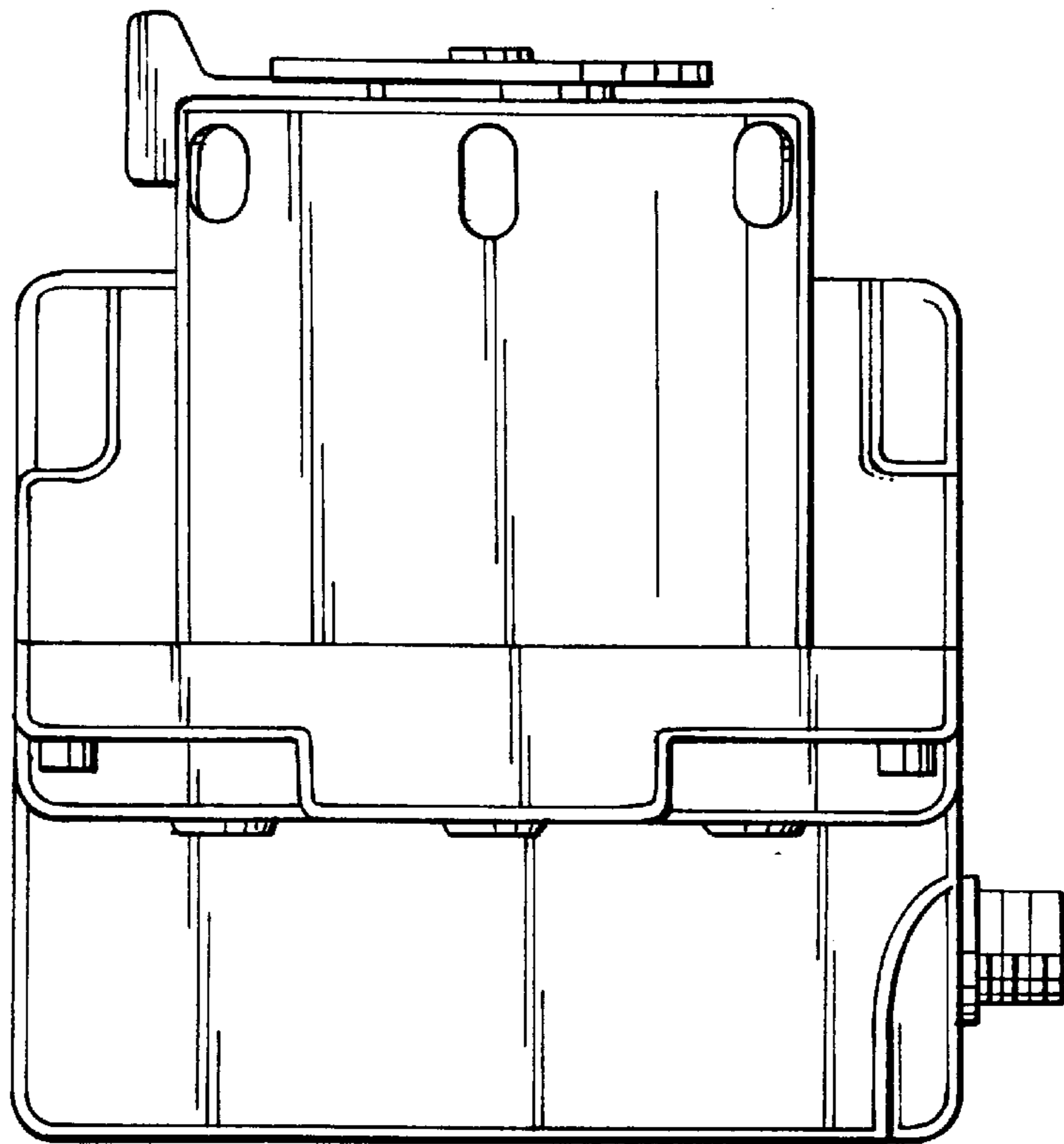
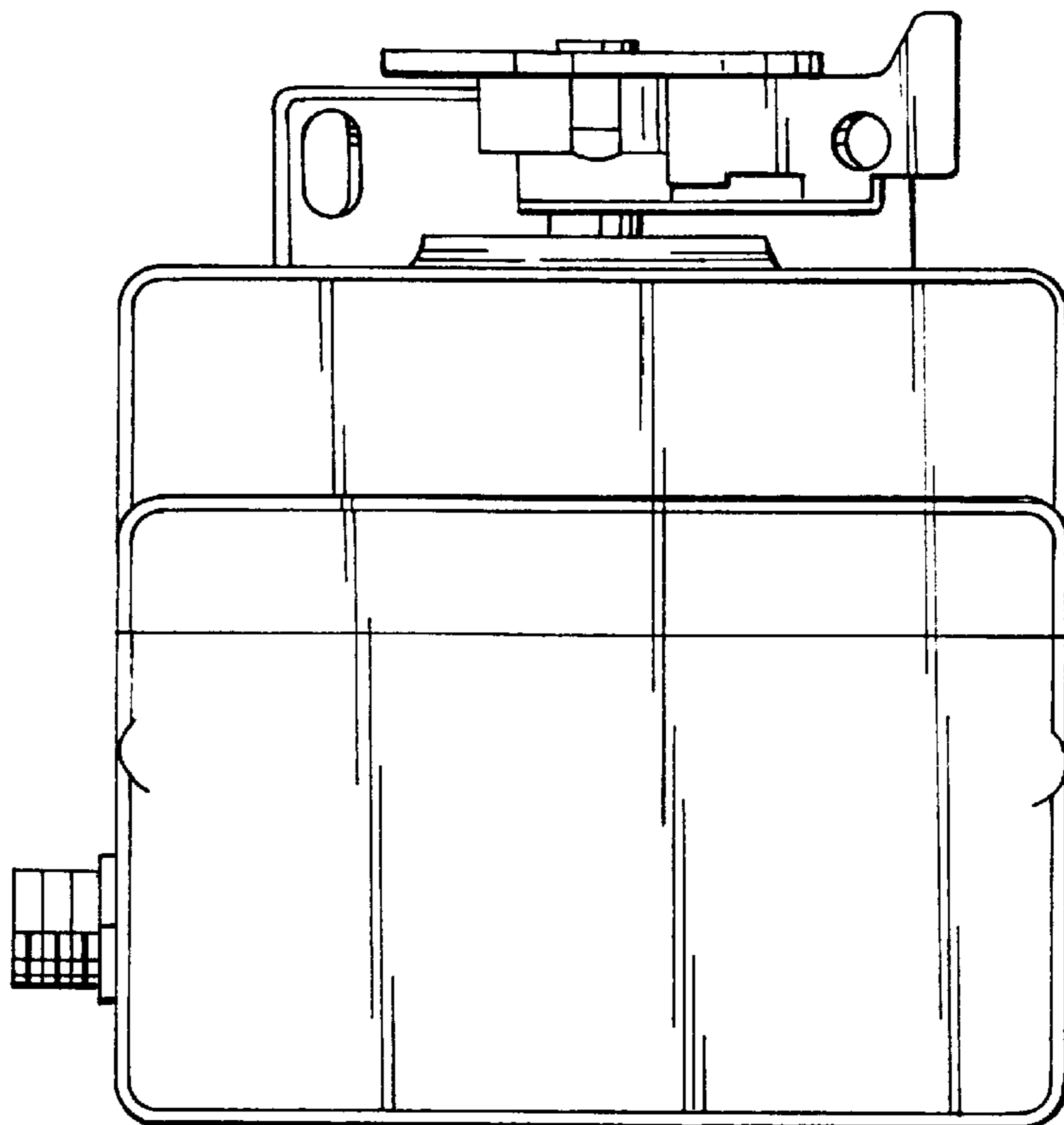


Fig. 6



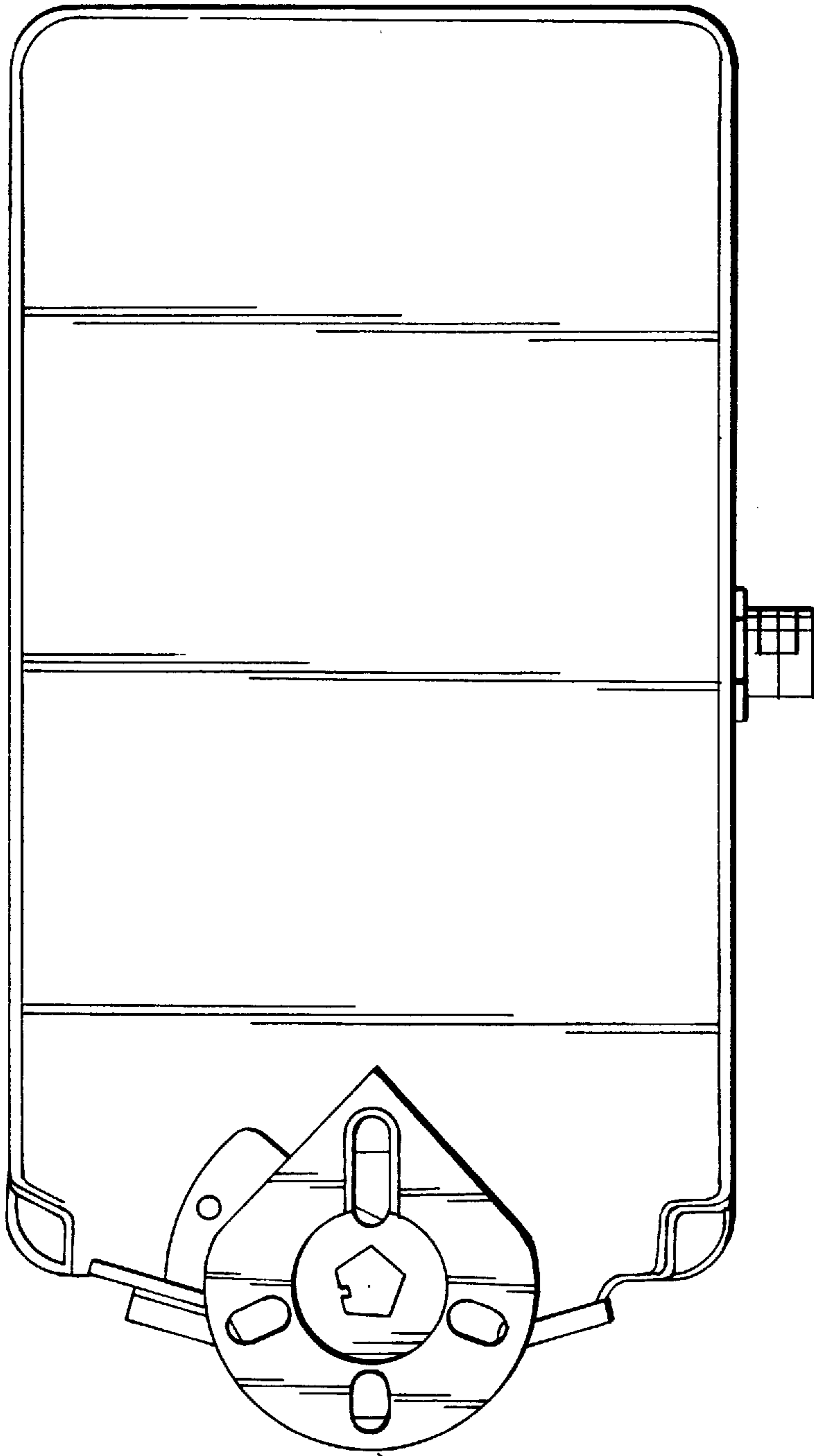


Fig. 7

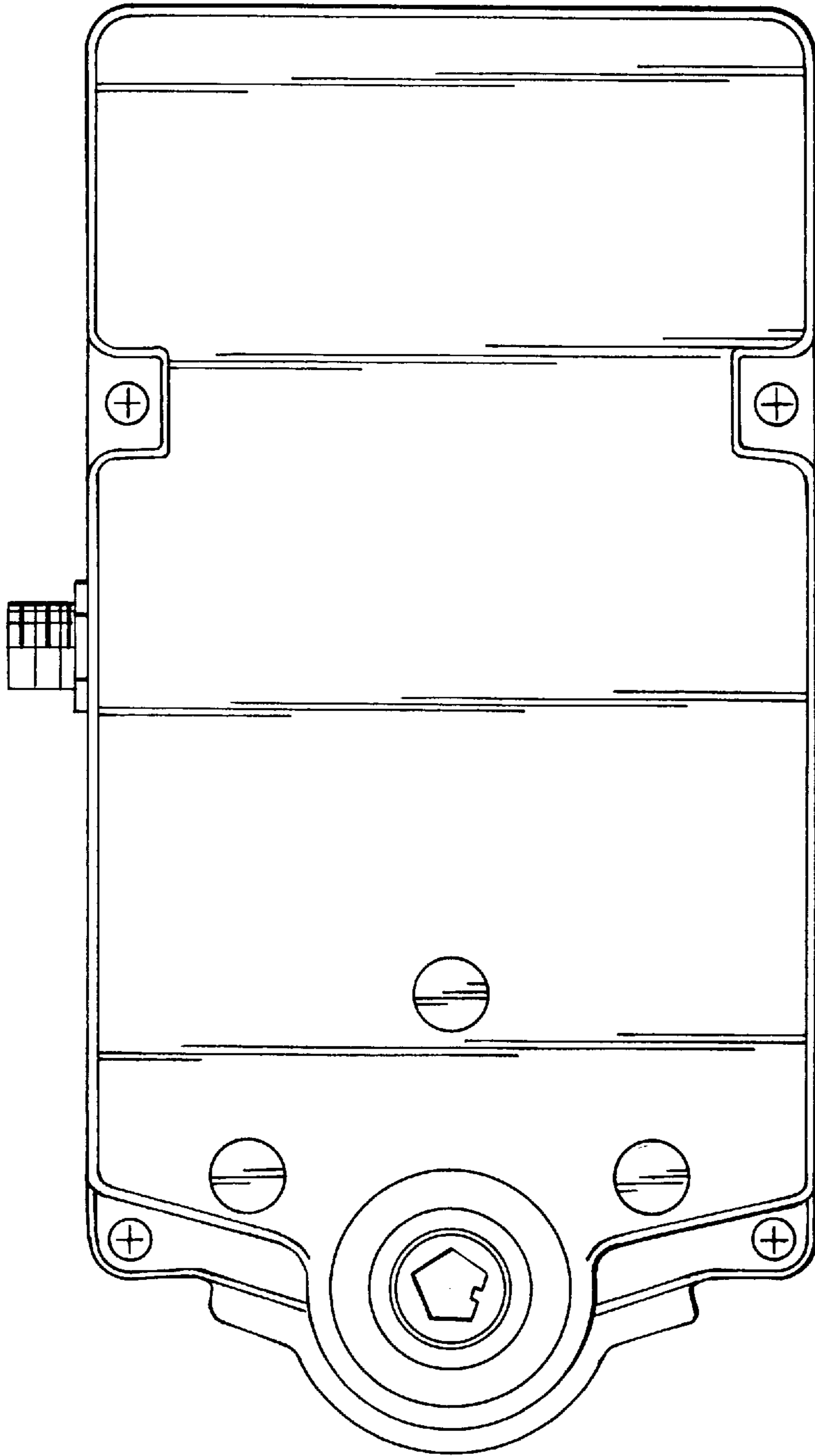


Fig. 8