



US00D407693S

United States Patent [19]

Rowton et al.

[11] Patent Number: Des. 407,693

[45] Date of Patent: **Apr. 6, 1999

[54] FUSE HOLDER

[75] Inventors: Daniel Eugene Rowton, Wildwood, Mo.; David R. Marach, Minoqua, Wis.; Sean V. Ciesielka, Mundelein, Ill.

[73] Assignee: Cooper Industries, Inc., Houston, Tex.

[**] Term: 14 Years

[21] Appl. No.: 83,836

[22] Filed: Feb. 17, 1998

[51] LOC (6) Cl. 13-03

[52] U.S. Cl. D13/161; D13/178

[58] Field of Search D13/133, 160, D13/161, 178; 337/186-189, 194-196, 205, 213; 361/642, 833, 834, 600, 626, 646; 439/621, 622, 698

[56] References Cited

U.S. PATENT DOCUMENTS

D. 332,938	2/1993	Lambert, II et al.	D13/133
D. 336,073	6/1993	Happ	D13/161
D. 367,041	2/1996	Alfaro et al.	D13/160
2,091,204	8/1937	Horn .	
3,189,712	6/1965	Kozacka .	
3,202,788	8/1965	George .	
3,261,950	7/1966	Kozacka .	
3,261,952	7/1966	Kozacka .	
3,299,066	1/1967	Papesch et al. .	
3,671,910	6/1972	Kozacka .	
3,697,916	10/1972	Belcher et al. .	
3,713,064	1/1973	Jacobs, Jr. .	
3,732,516	5/1973	Puetz .	
3,764,949	10/1973	Swain .	
3,766,507	10/1973	Jacobs, Jr. .	
3,783,428	1/1974	Swain et al. .	
3,824,520	7/1974	Knapp, Jr. .	
3,935,553	1/1976	Kozacka et al. .	
4,082,408	4/1978	Angelis .	
4,300,281	11/1981	Panaro .	
4,344,058	8/1982	Knapp, Jr. et al. .	
4,365,226	12/1982	Barry et al. .	
4,414,526	11/1983	Panaro .	
4,559,504	12/1985	Krec .	

4,751,489	6/1988	Spaunhorst .
4,782,317	11/1988	Thwaites .
4,949,062	8/1990	Mollet .
4,949,063	8/1990	Levko .
4,951,026	8/1990	Ehlmann .
4,972,170	11/1990	Ehlmann et al. .
4,992,770	2/1991	Spalding et al. .
4,994,779	2/1991	Douglass .
5,002,505	3/1991	Jones et al. .
5,075,664	12/1991	Spalding et al. .
5,077,534	12/1991	Douglass .

(List continued on next page.)

FOREIGN PATENT DOCUMENTS

680901 10/1952 United Kingdom .

Primary Examiner—Alan P. Douglas
Assistant Examiner—Lavone D. Tabor
Attorney, Agent, or Firm—Burns, Doane, Swecker & Mathis LLP

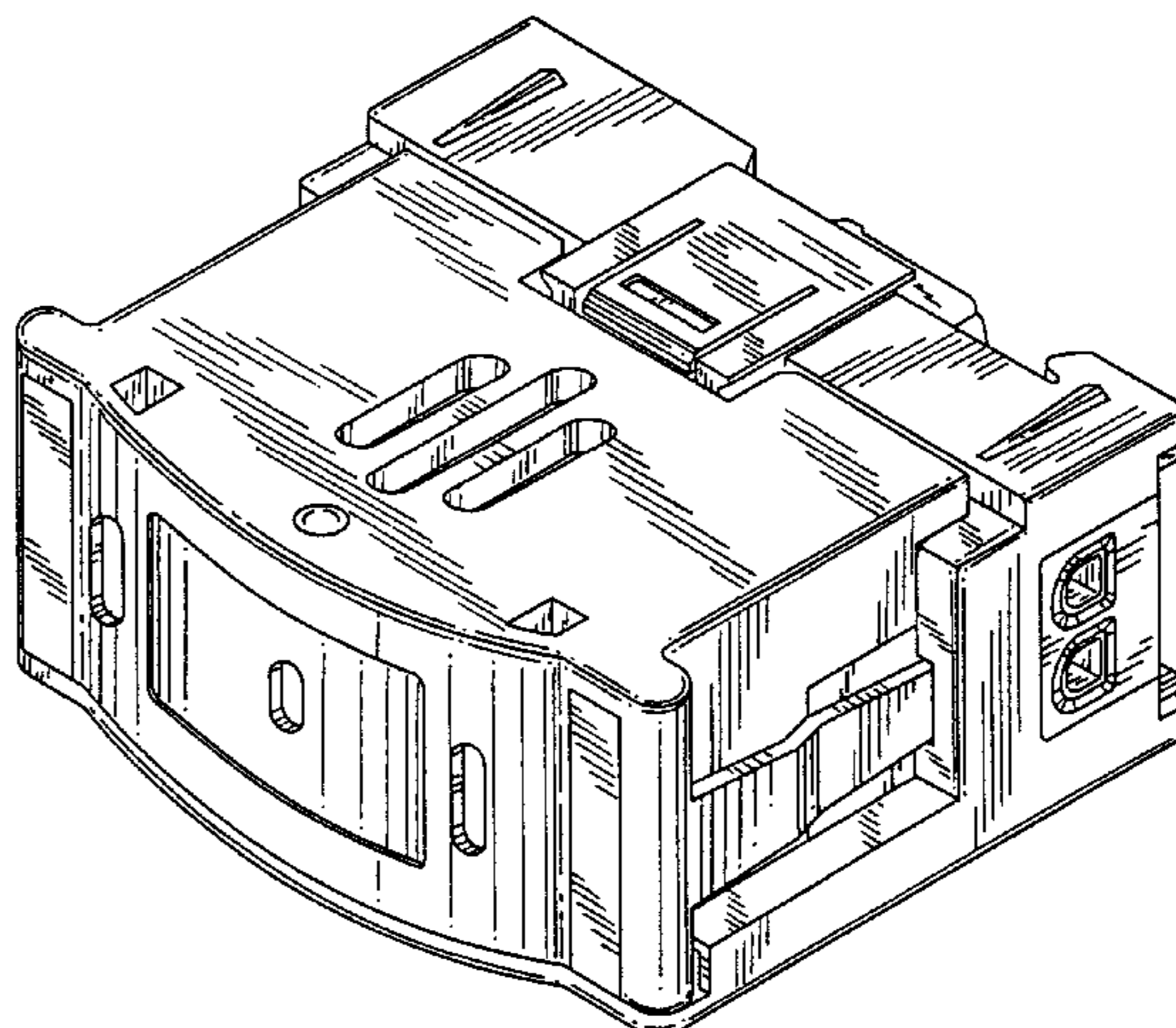
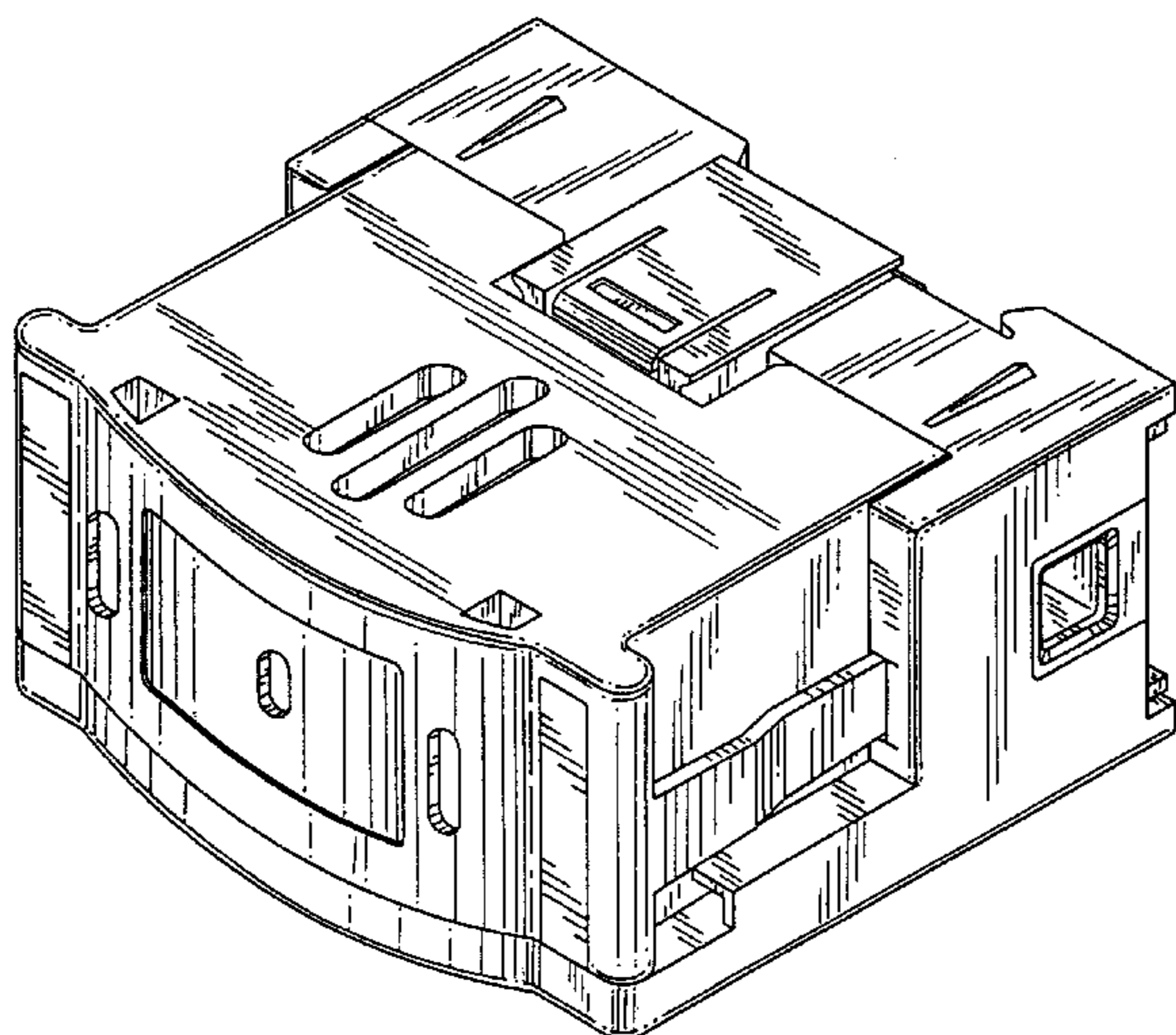
[57] CLAIM

The ornamental design for a fuse holder, as shown and described.

DESCRIPTION

FIG. 1 is a top, left perspective view of a fuse holder according to our new design;
FIG. 2 is a top plan view thereof;
FIG. 3 is a front elevational view thereof;
FIG. 4 is a rear elevational view thereof;
FIG. 5 is a bottom plan view thereof;
FIG. 6 is a right side elevational view thereof, the other side being a mirror image thereof;
FIG. 7 is a top, left perspective view of a fuse holder according to a further embodiment of the design shown in FIG. 1;
FIG. 8 is a top plan view thereof;
FIG. 9 is a front elevational view thereof;
FIG. 10 is a rear elevational view thereof;
FIG. 11 is a bottom plan view thereof; and,
FIG. 12 is a right side elevational view thereof, the other side being a mirror image thereof.

1 Claim, 8 Drawing Sheets



Des. 407,693

Page 2

U.S. PATENT DOCUMENTS

5,229,739	7/1993	Oh et al. .	5,296,832	3/1994	Perreault et al. .
5,235,306	8/1993	Kalra et al. .	5,357,234	10/1994	Pimpis et al. .
5,239,291	8/1993	Henricks et al. .	5,418,515	5/1995	Reyes .
			5,426,411	6/1995	Pimpis et al. .

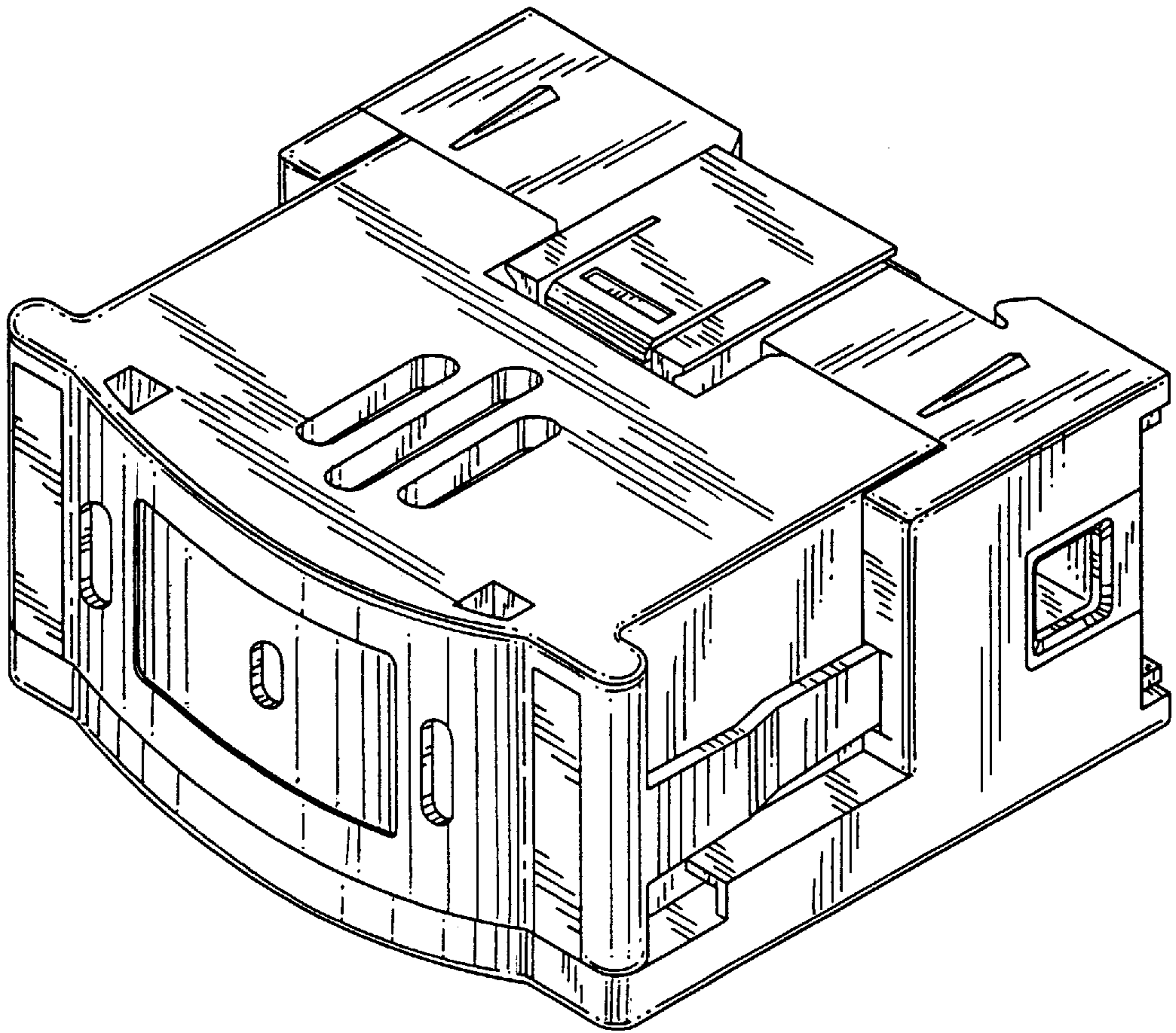


FIG. 1

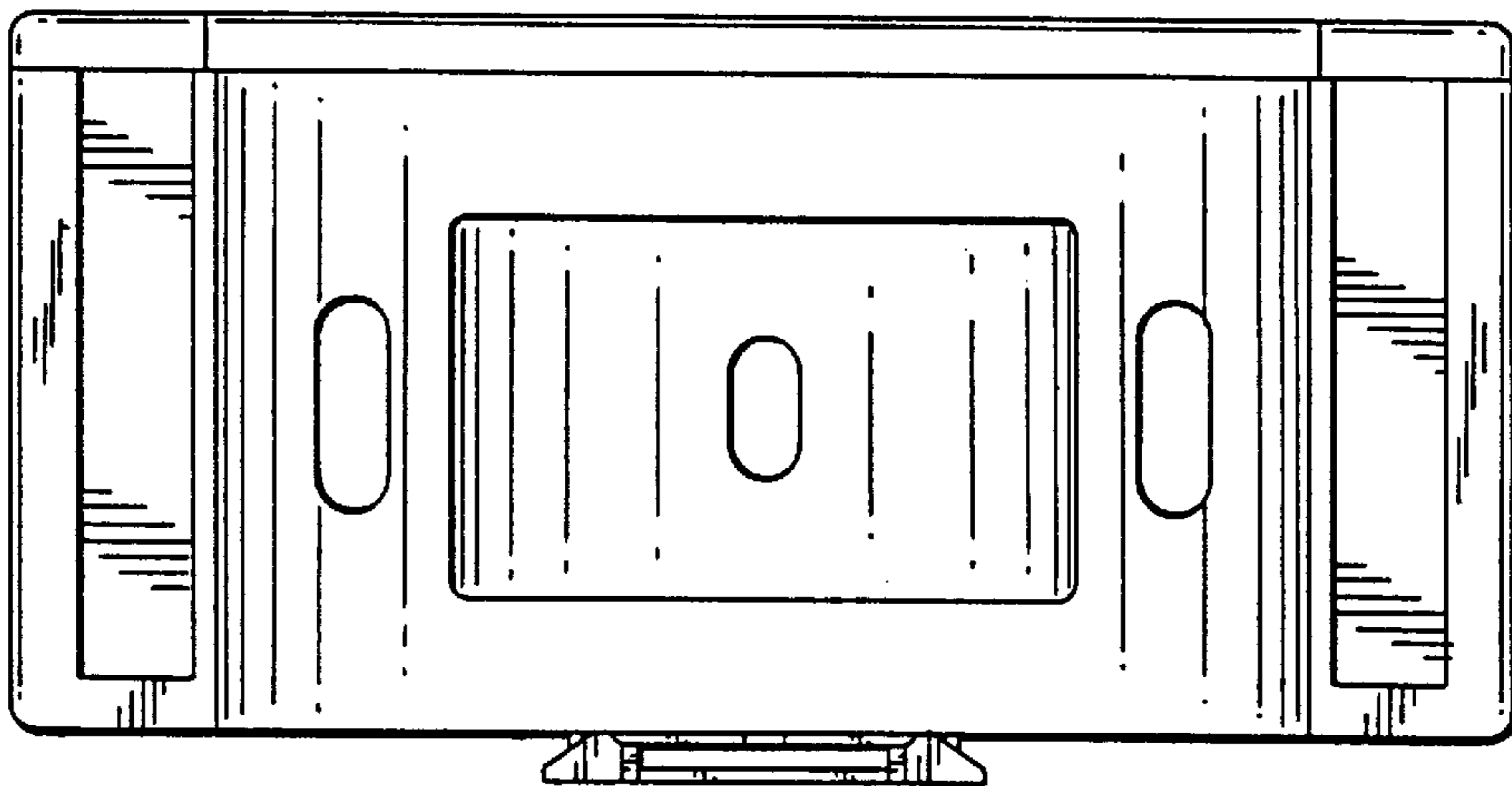


FIG. 2

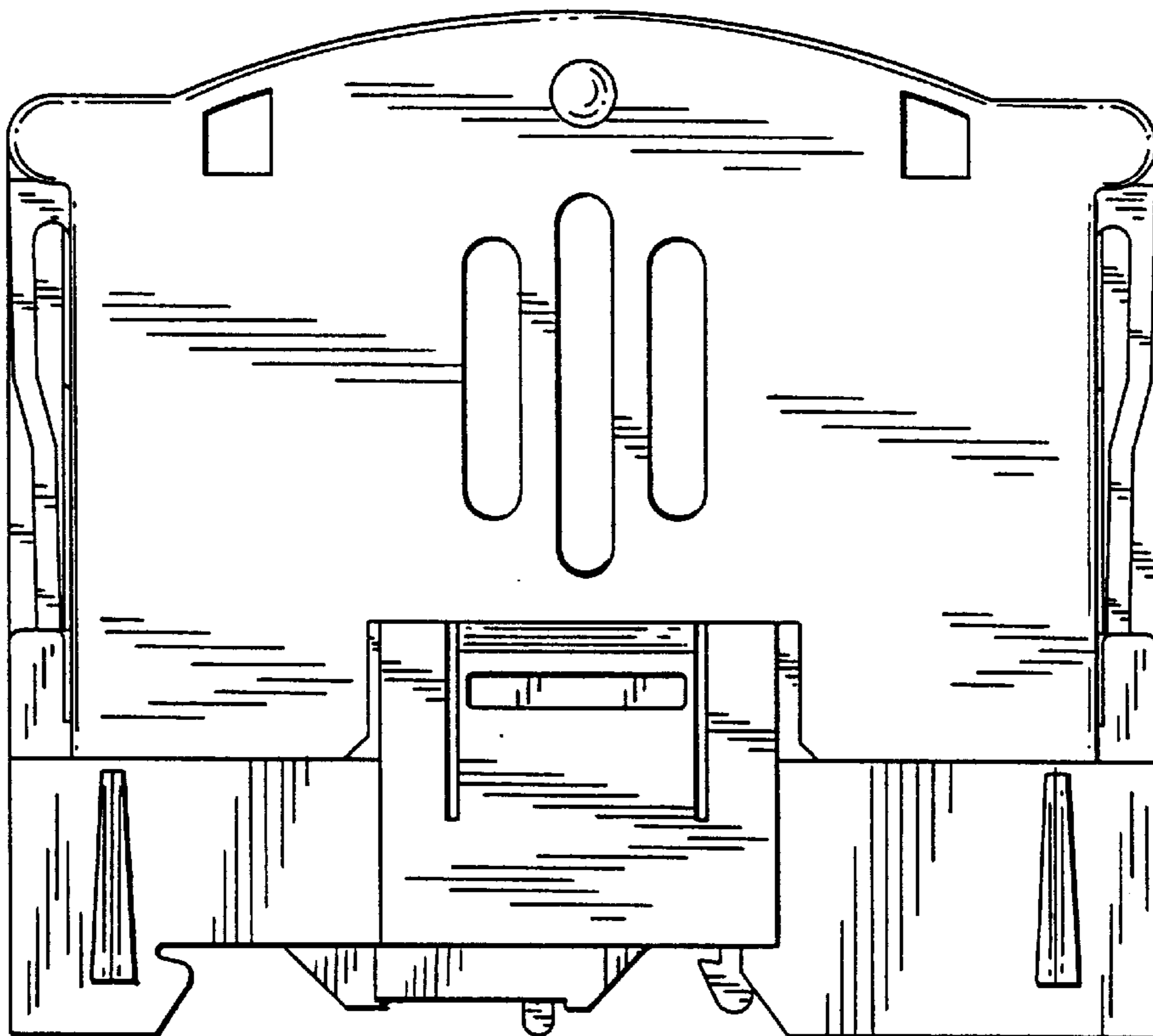


FIG. 3

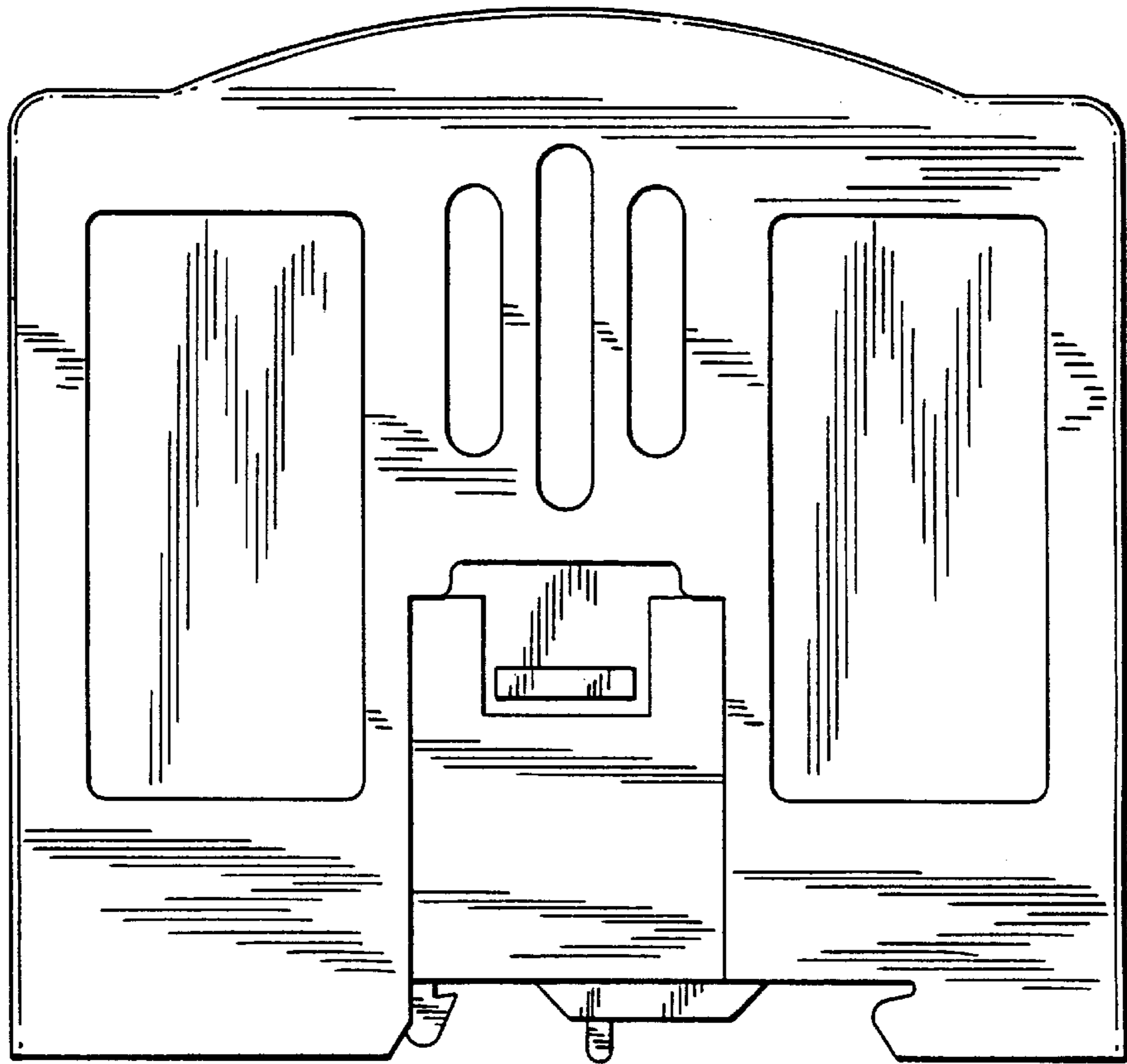


FIG. 4

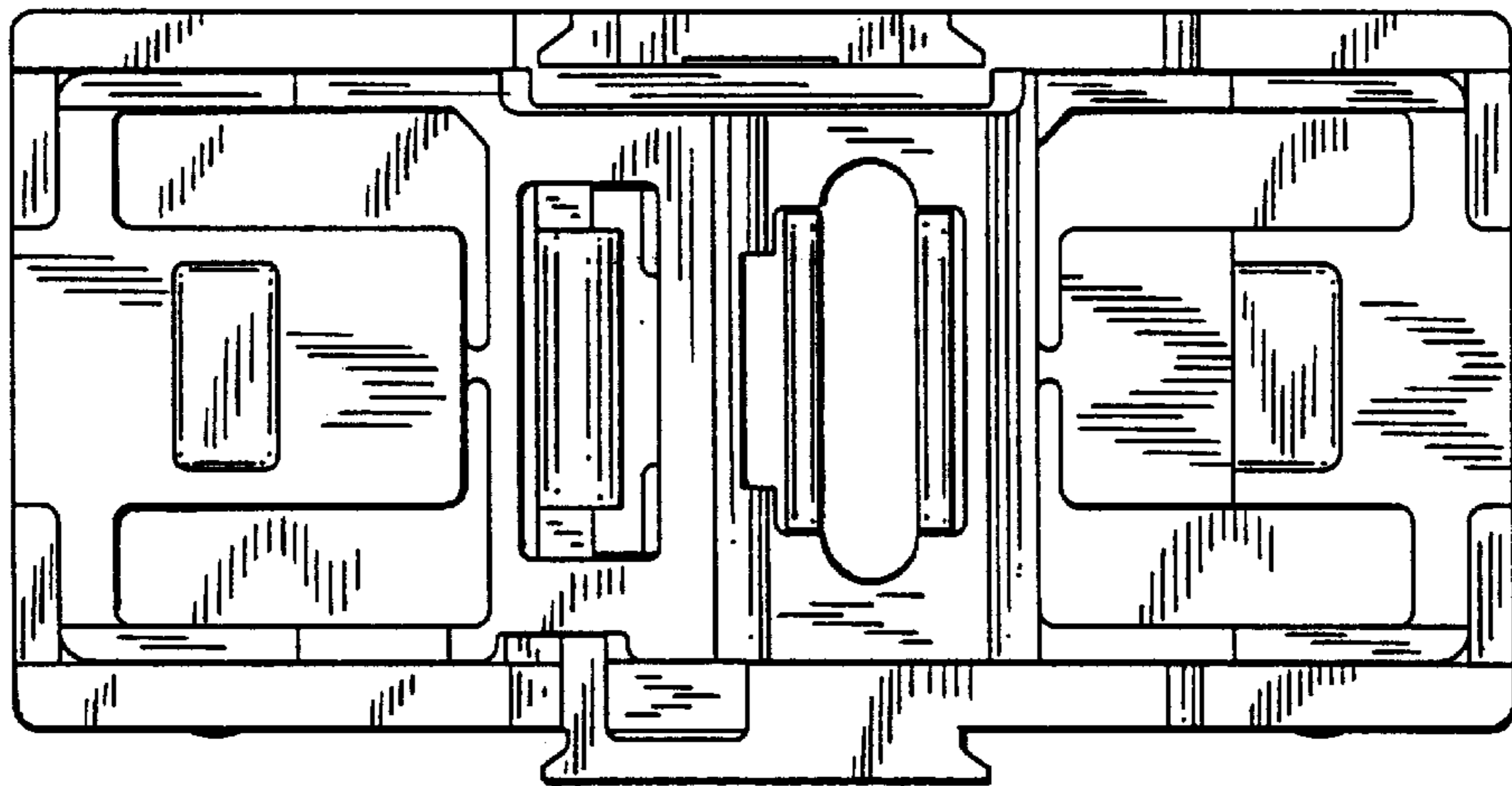


FIG. 5

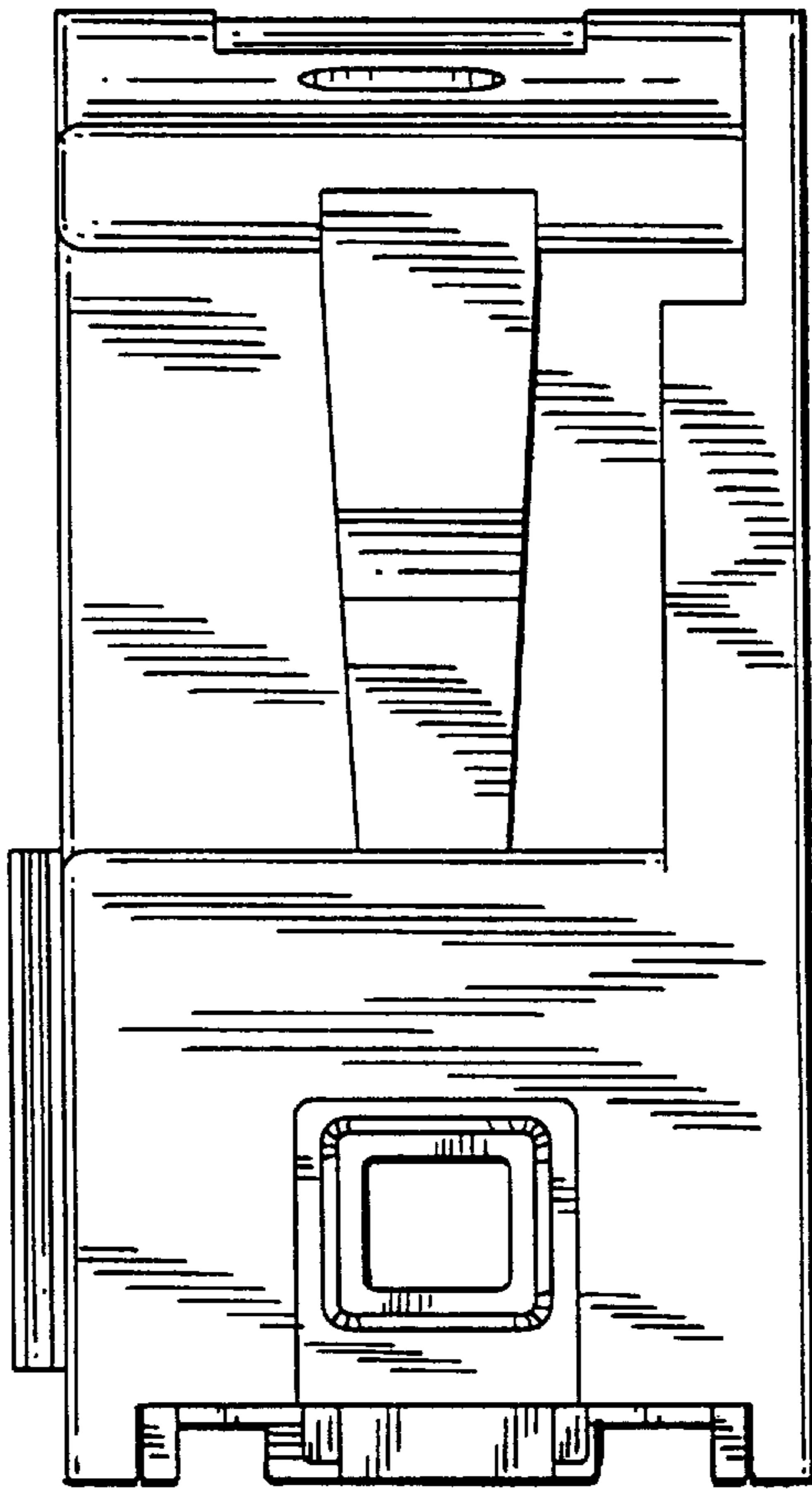


FIG. 6

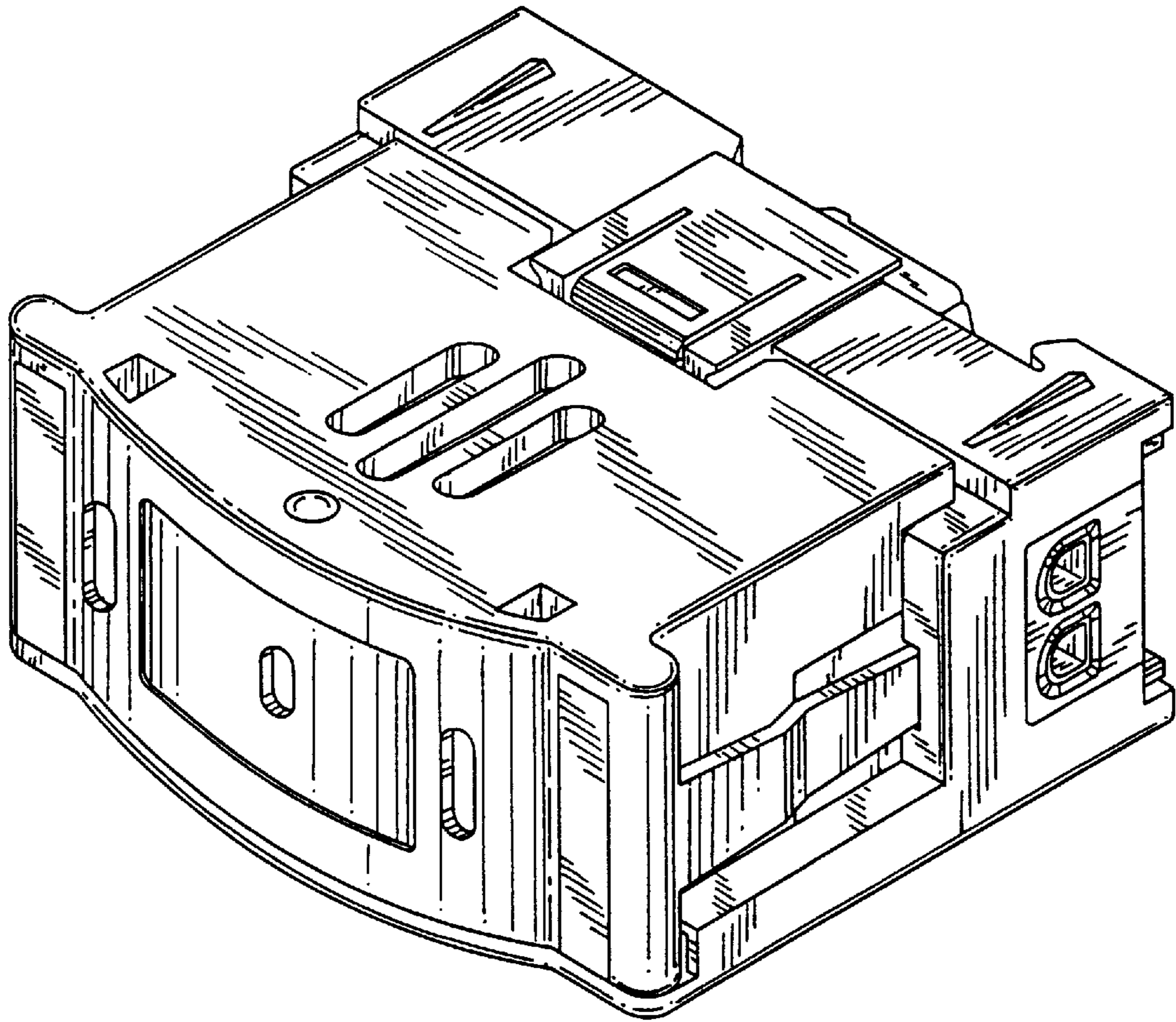


FIG. 7

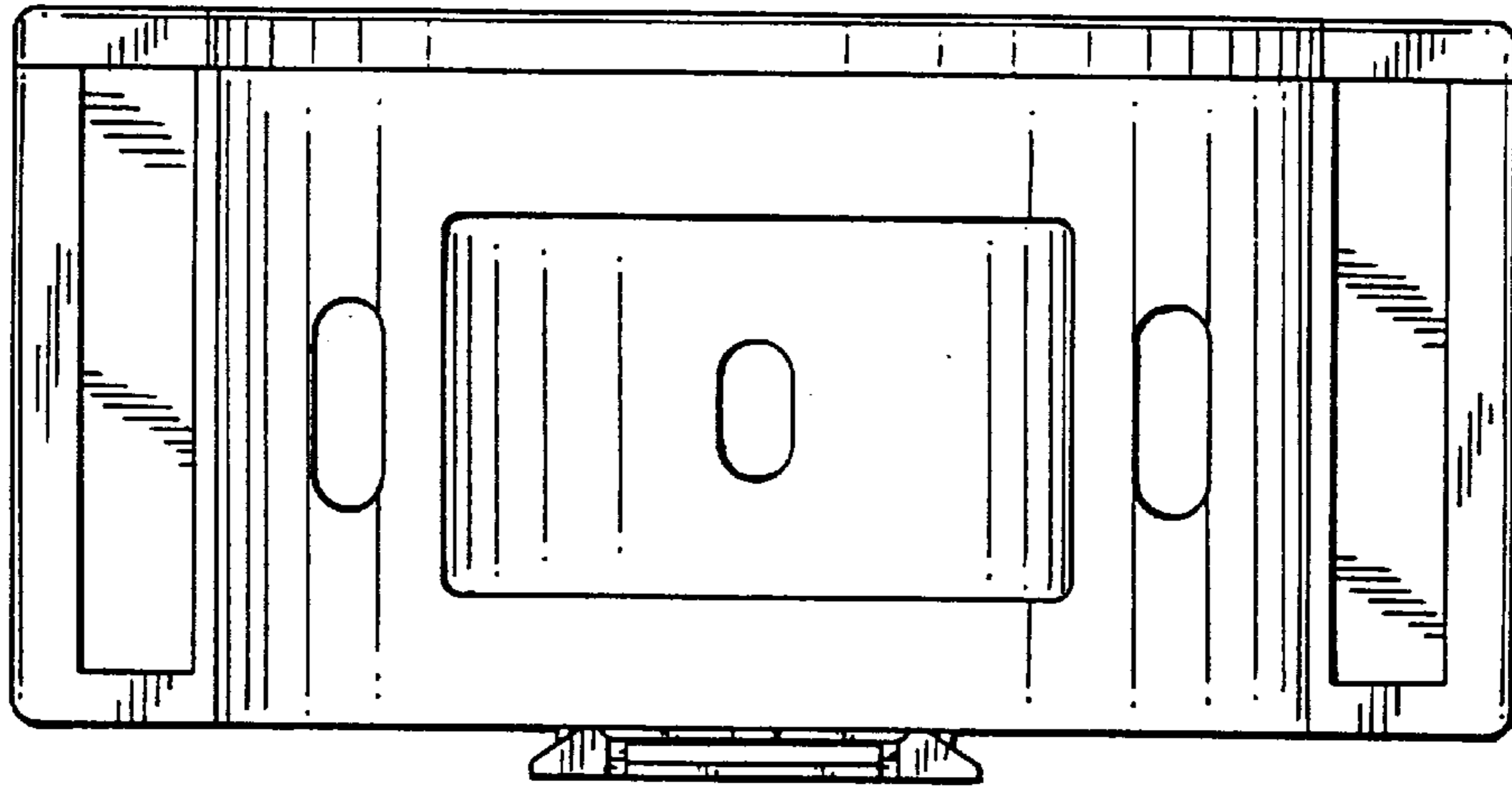


FIG. 8

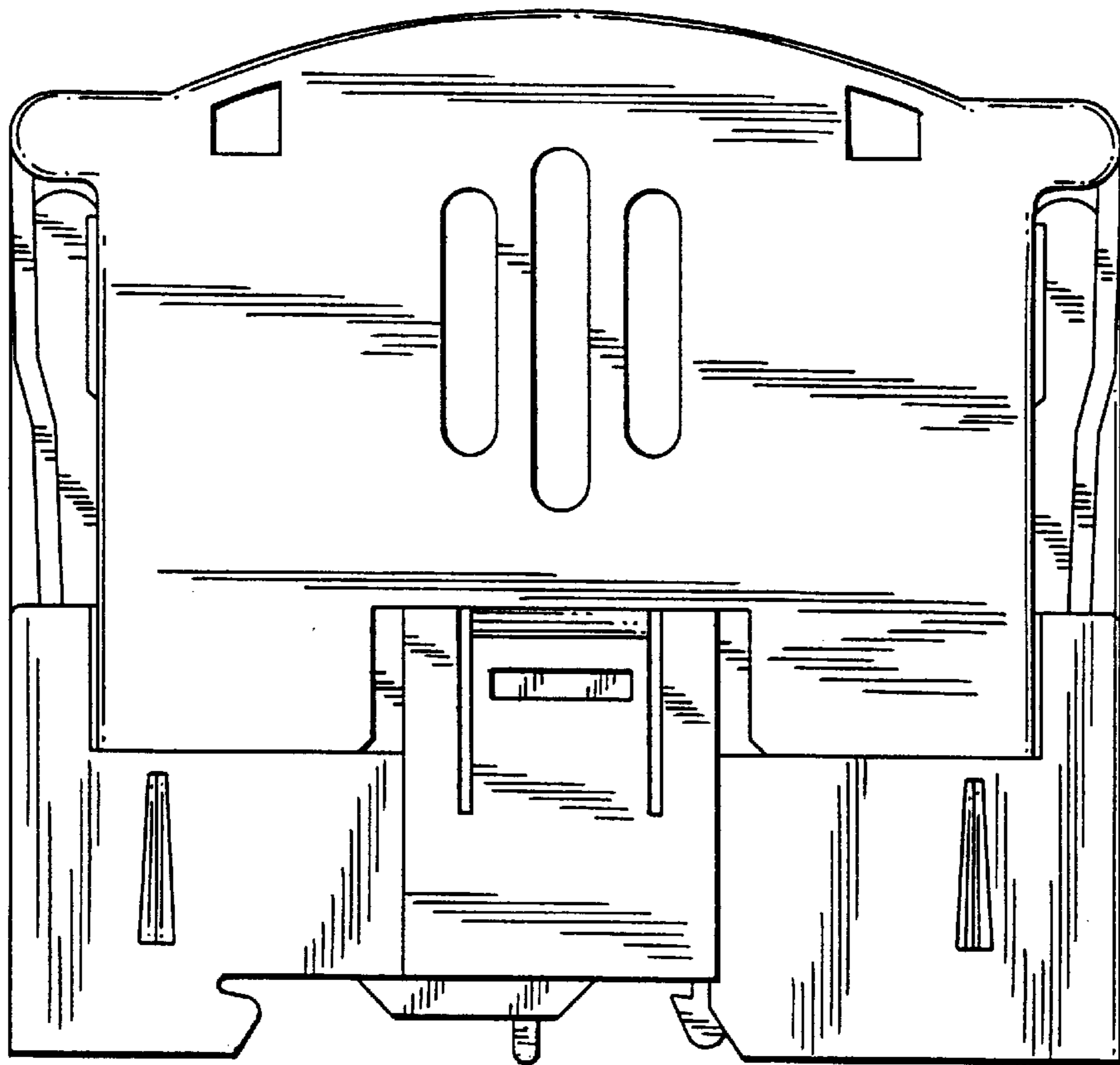


FIG. 9

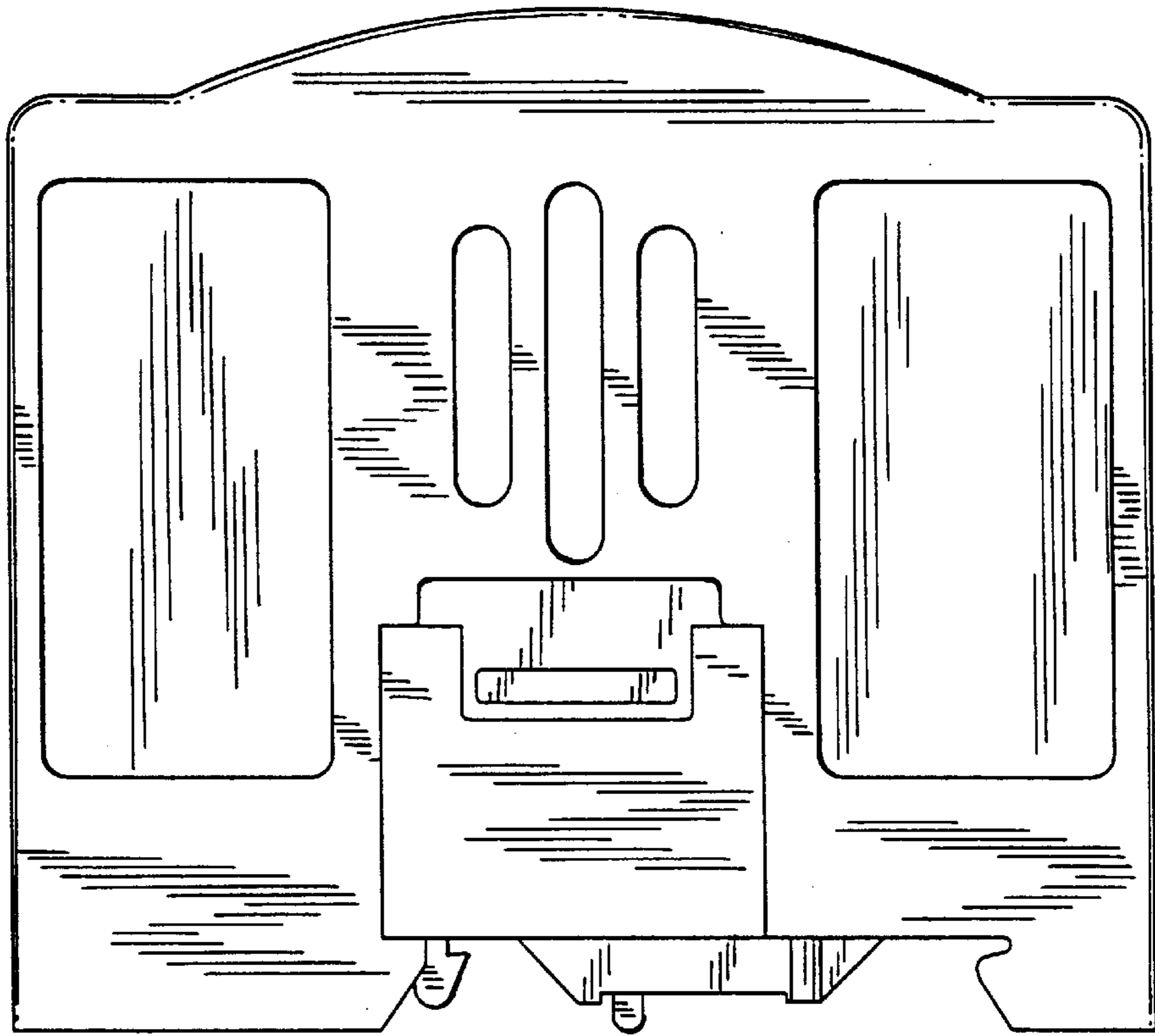


FIG. 10

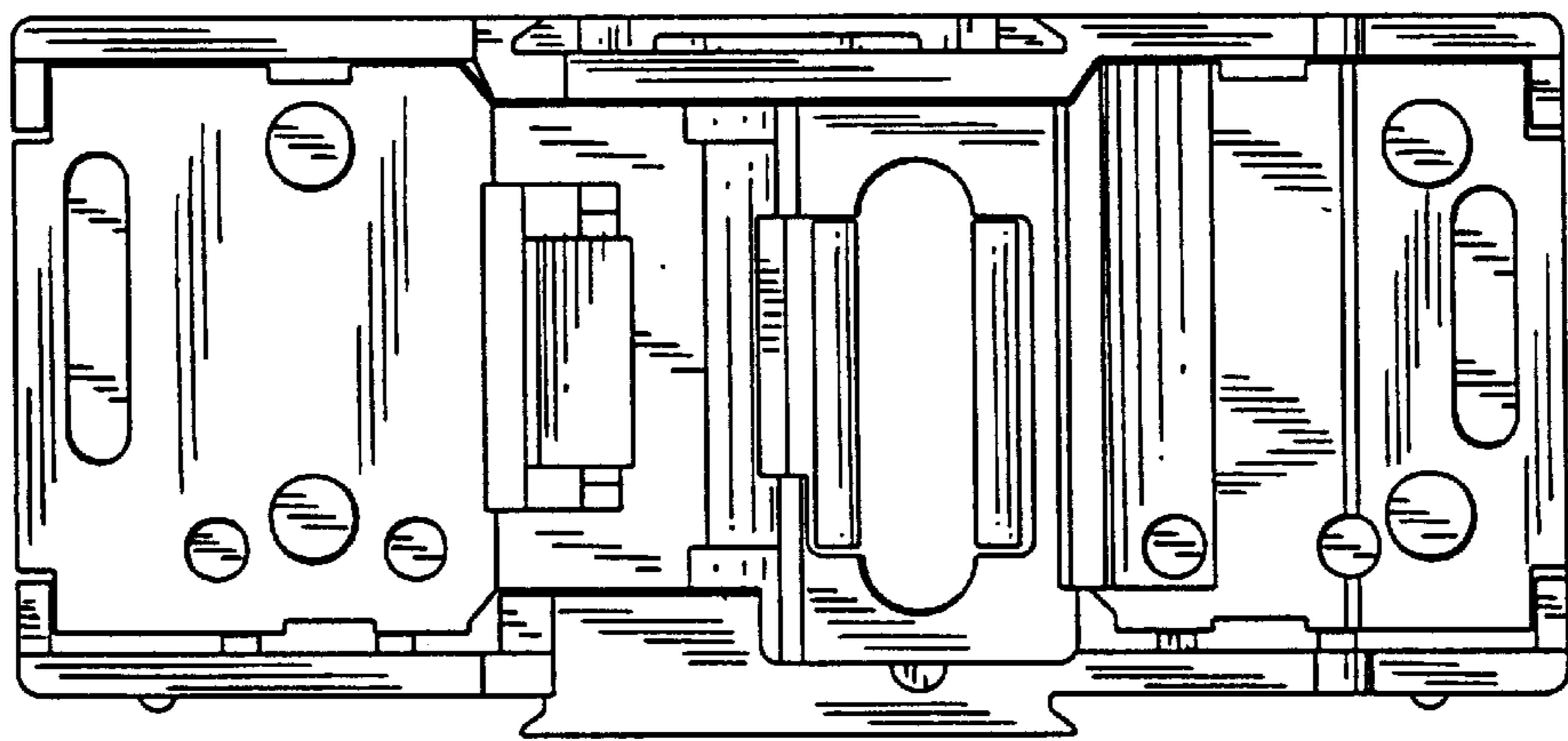


FIG. 11

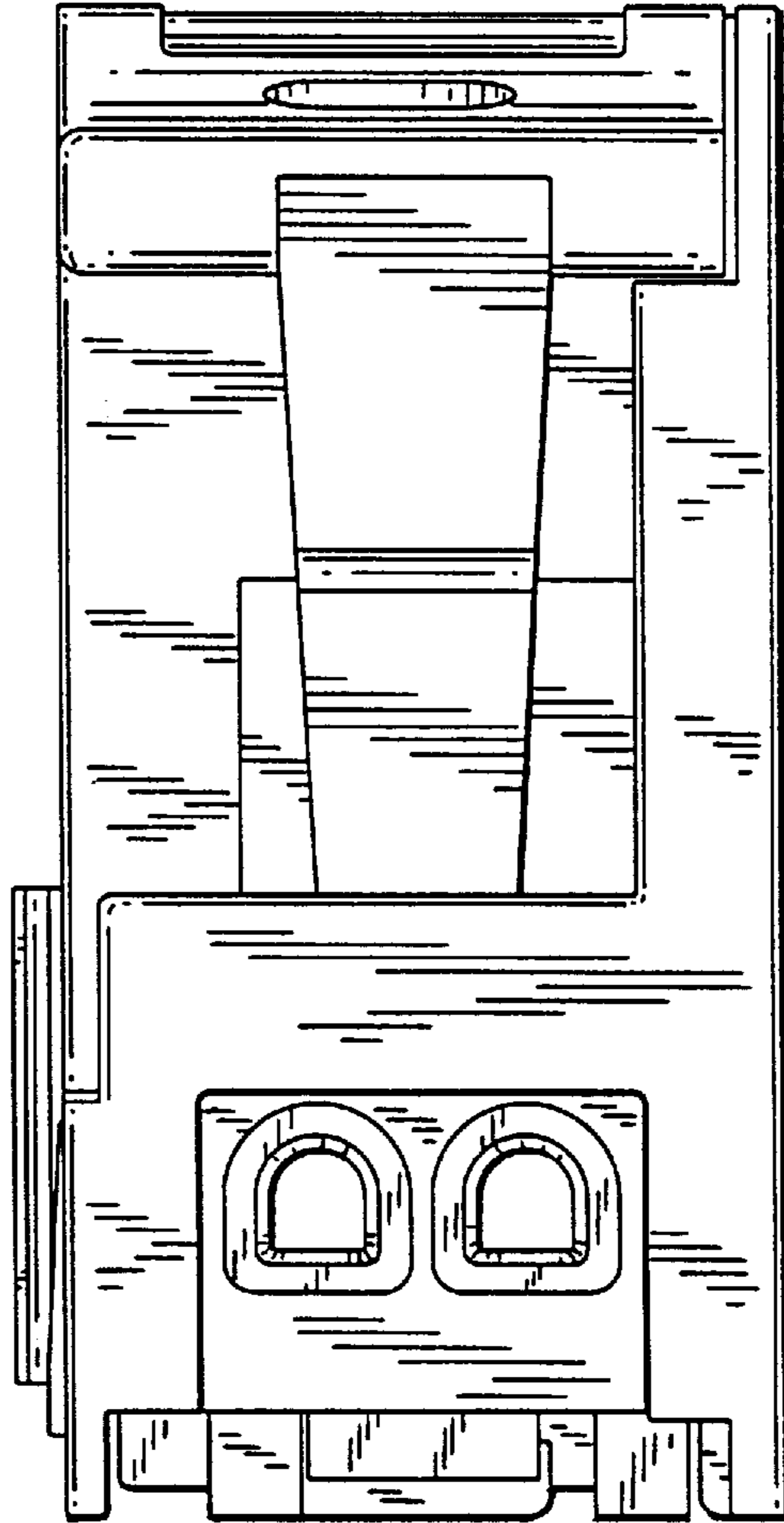


FIG. 12