

US00D407692S

United States Patent [19]
Lin

[11] **Patent Number:** **Des. 407,692**

[45] **Date of Patent:** ****Apr. 6, 1999**

[54] **FUSE**

[76] **Inventor:** **Peter P. W. Lin**, 58, Ma Yuan West St.,
Taichung, Taiwan

[**] **Term:** **14 Years**

[21] **Appl. No.:** **64,647**

[22] **Filed:** **Dec. 16, 1996**

[51] **LOC (6) Cl.** **13-03**

[52] **U.S. Cl.** **D13/161**

[58] **Field of Search** D13/160, 161,
D13/178; 29/623; 324/550; 337/159, 186,
198, 231, 252, 295, 297, 266; 439/621,
622, 698

[56] **References Cited**

U.S. PATENT DOCUMENTS

D. 318,270 7/1991 Tsuji et al. D13/161

D. 365,940 1/1996 Shimizu et al. D13/161
4,499,447 2/1985 Greenberg 337/266
4,772,219 9/1988 Falchetti 439/622 X
5,311,139 5/1994 Fogal 324/550

Primary Examiner—James Gandy
Assistant Examiner—Cathron B. Matta

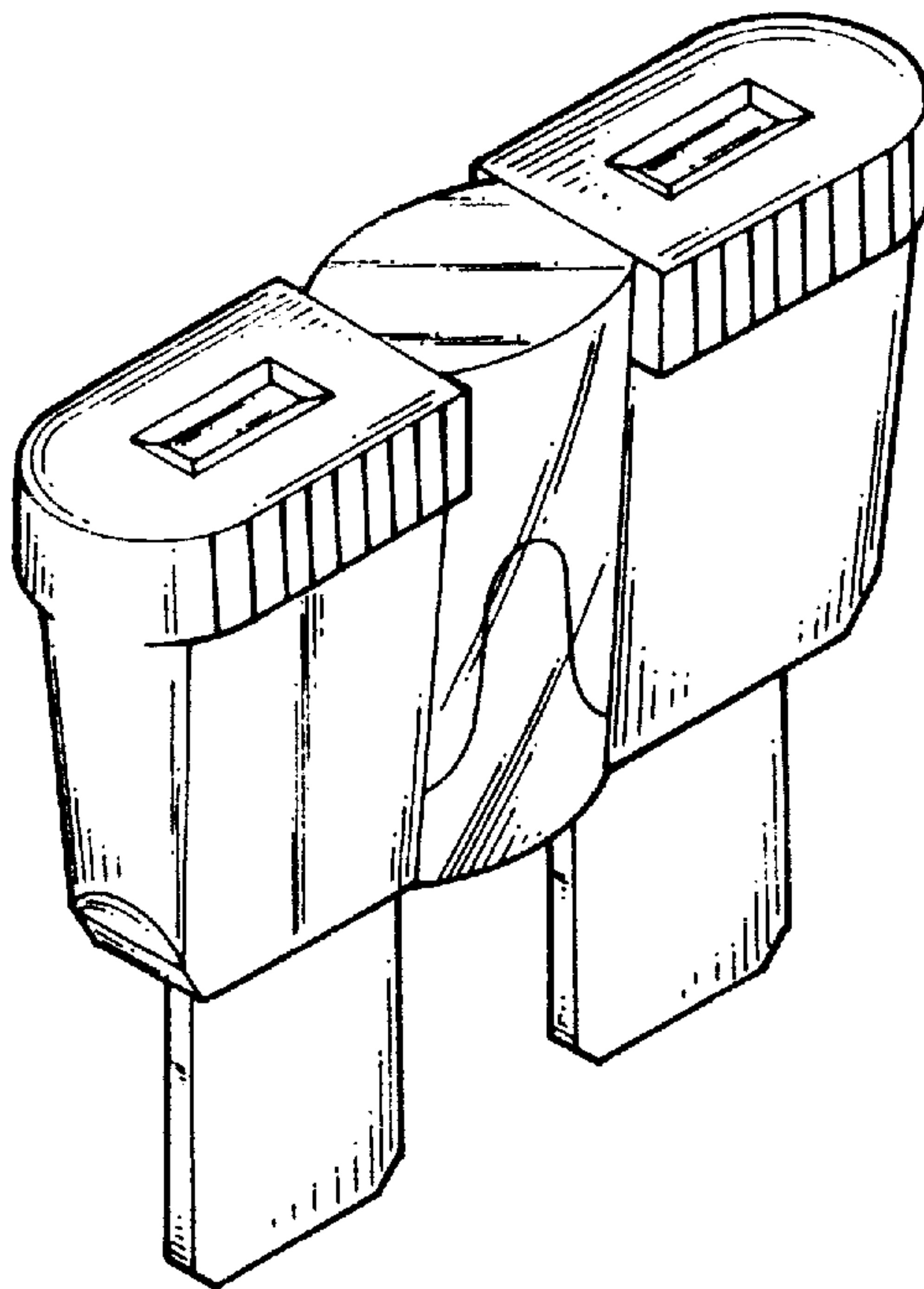
[57] **CLAIM**

The ornamental design for a fuse, as shown and described.

DESCRIPTION

FIG. 1 is a perspective view of a fuse showing my design;
FIG. 2 is a front elevational view thereof;
FIG. 3 is a rear elevational view thereof;
FIG. 4 is a left side elevational view thereof;
FIG. 5 is a right side elevational view thereof;
FIG. 6 is a top plan view thereof; and,
FIG. 7 is a bottom plan view thereof.

1 Claim, 2 Drawing Sheets



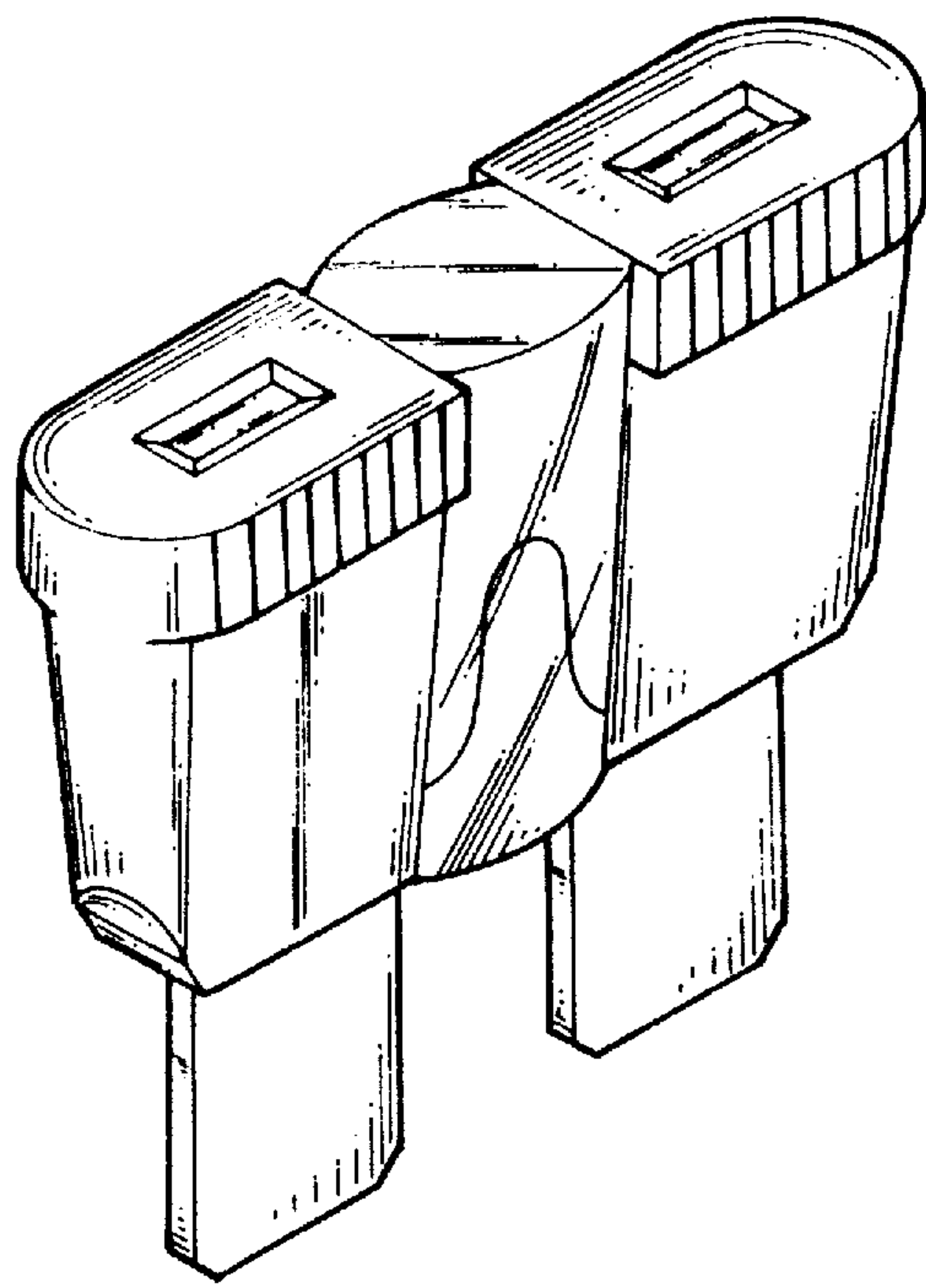


FIG. 1

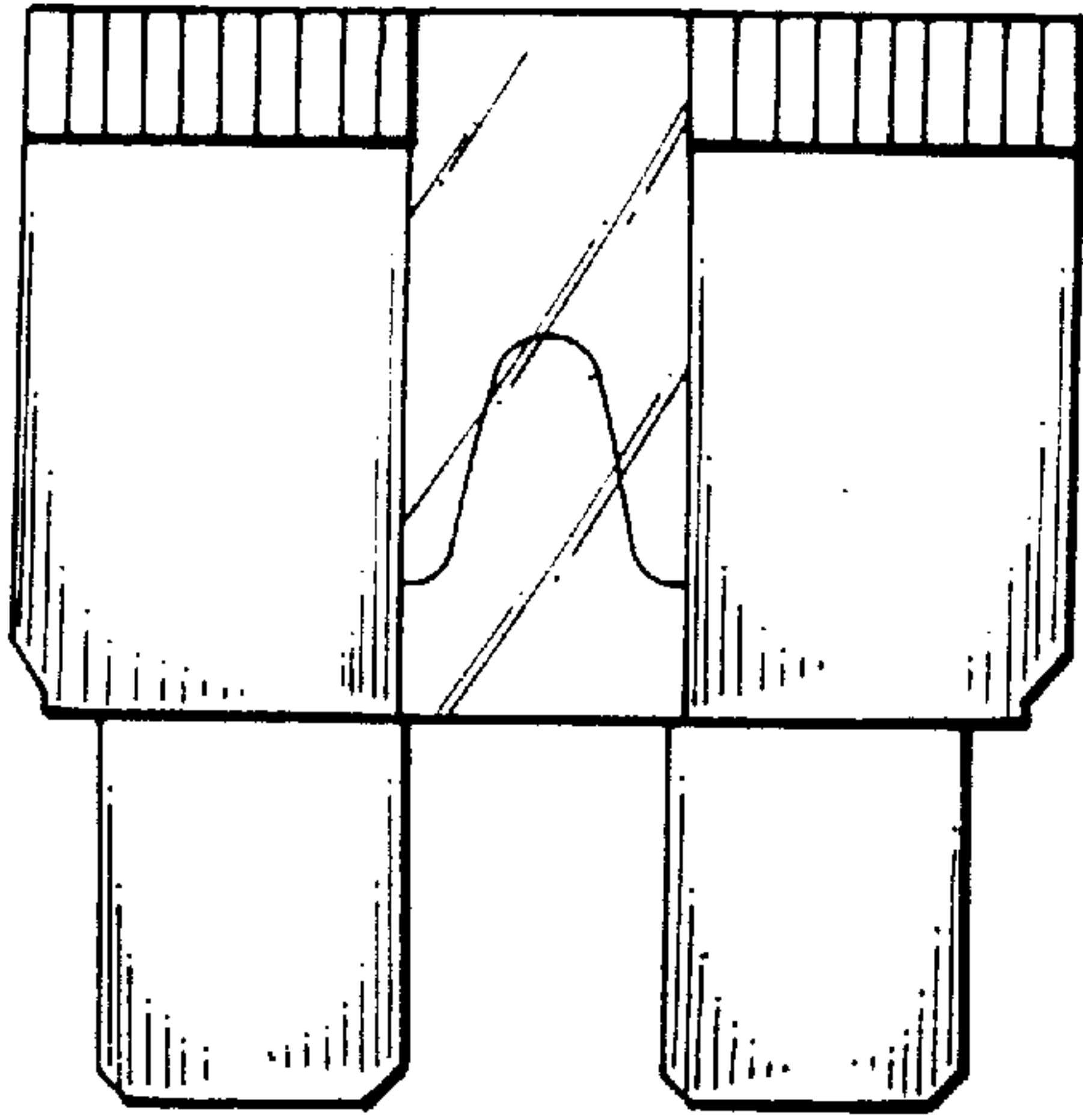


FIG. 2

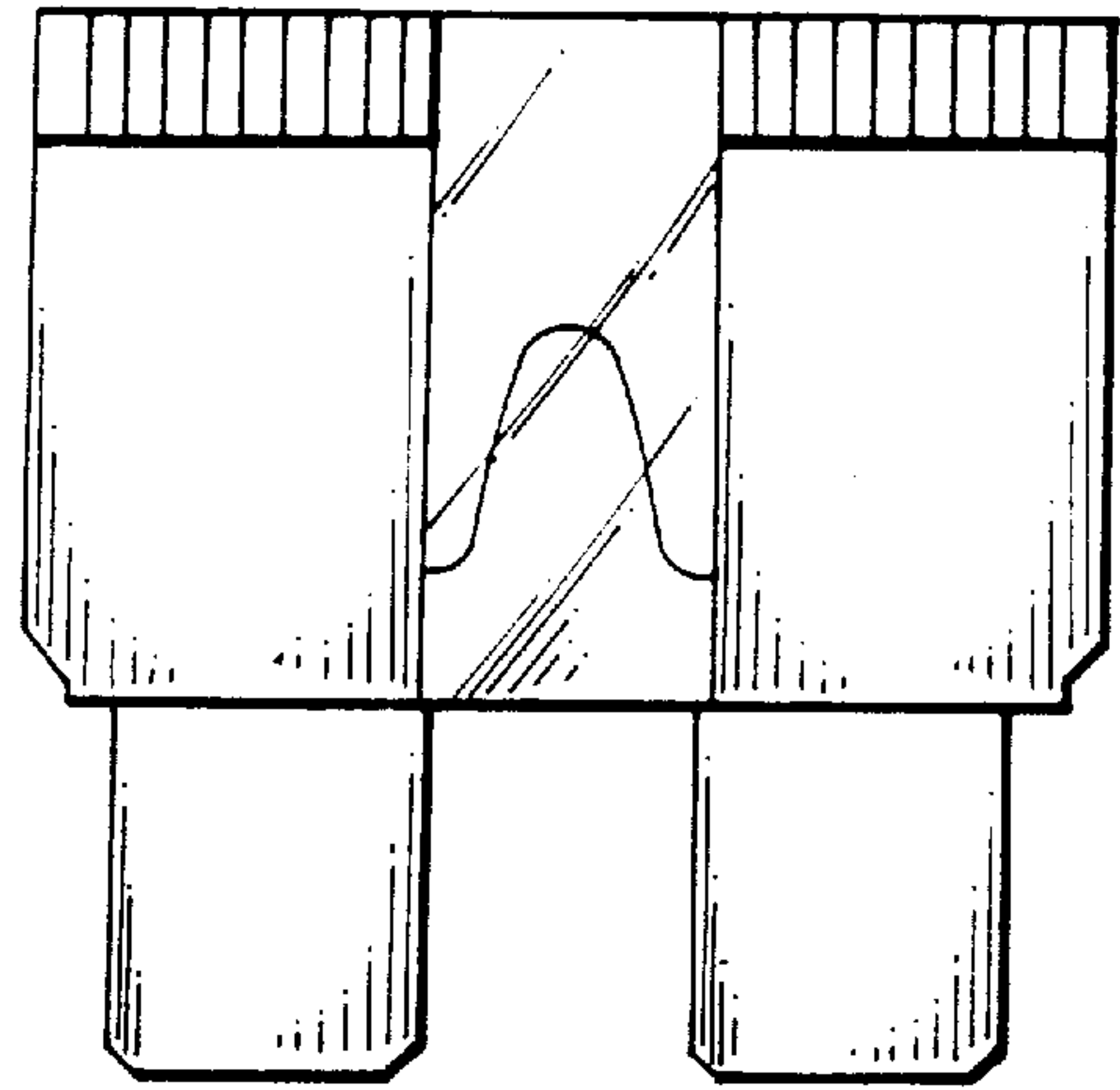


FIG. 3

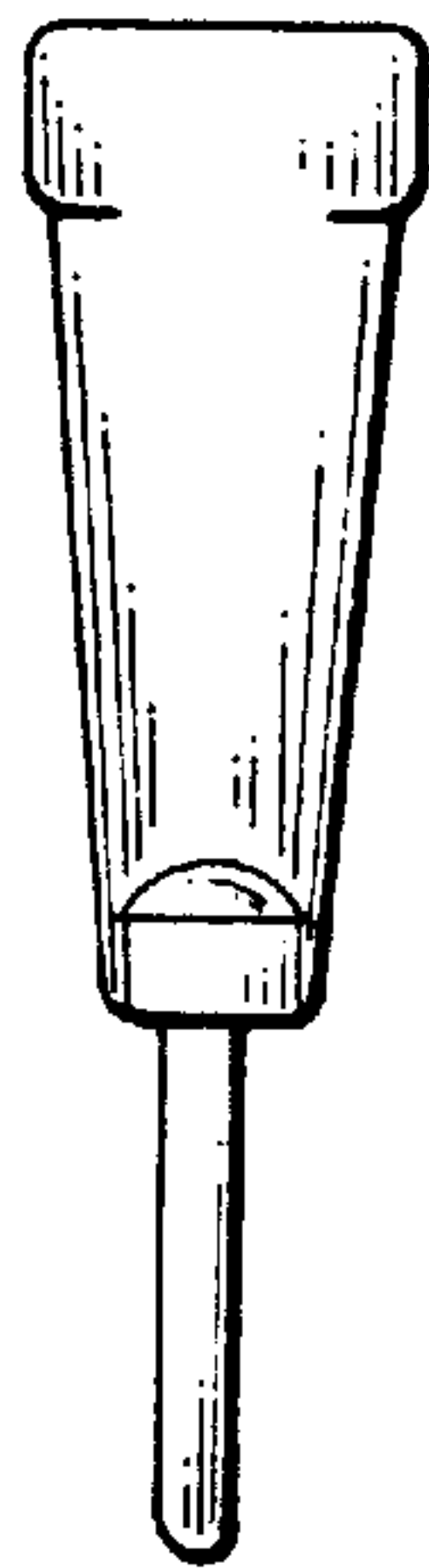


FIG. 4

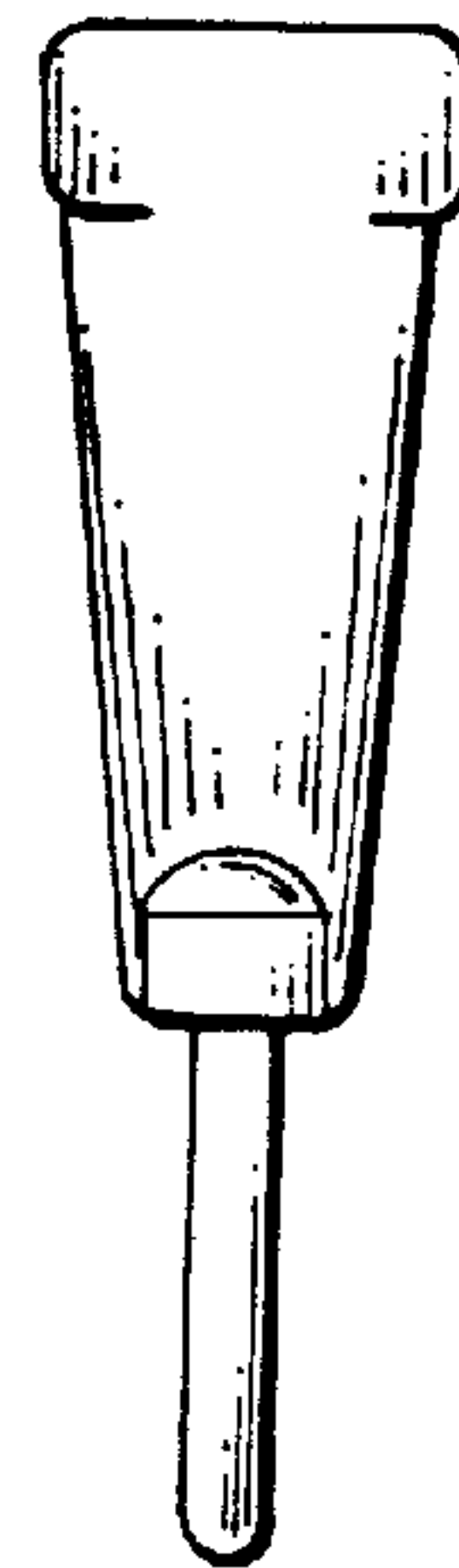


FIG. 5

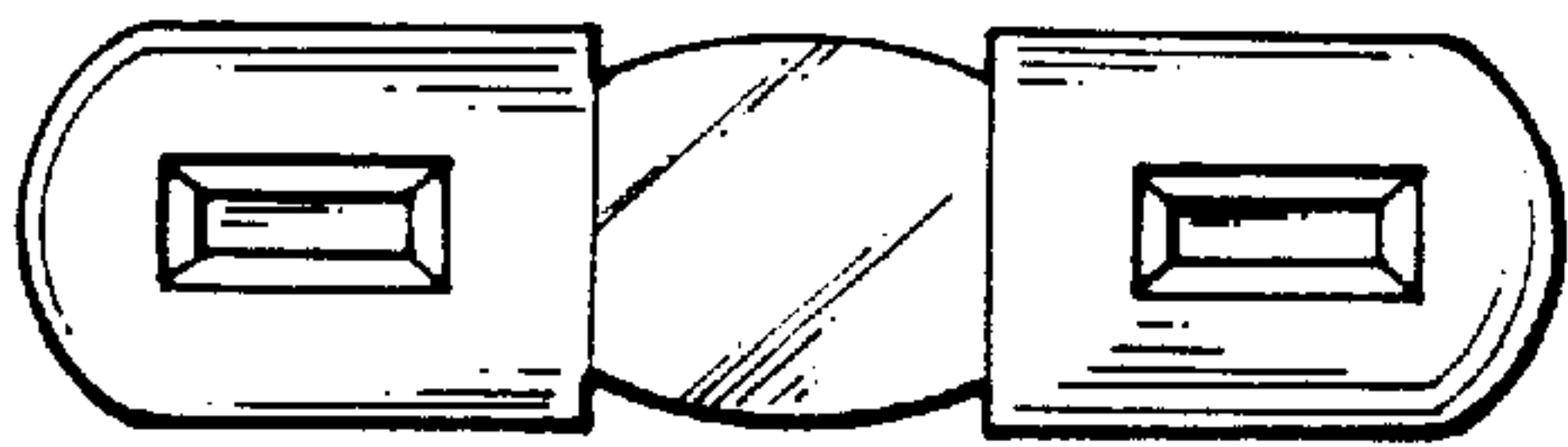


FIG. 6

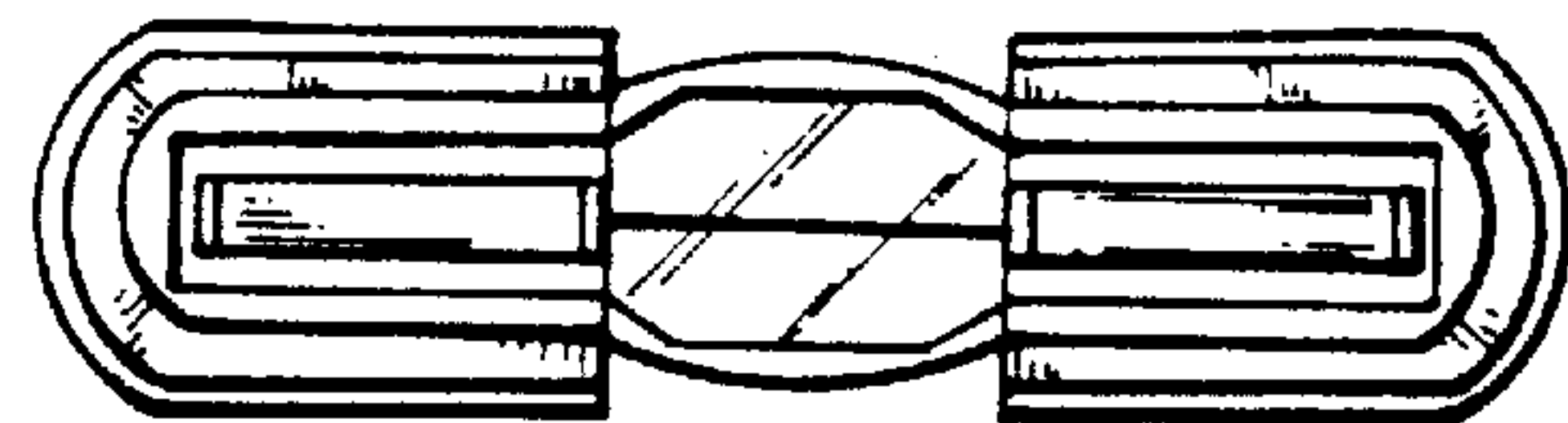


FIG. 7