



US00D407690S

# United States Patent [19]

Lai et al.

[11] **Patent Number: Des. 407,690**

[45] **Date of Patent: \*\*Apr. 6, 1999**

[54] **HIGH DENSITY ELECTRICAL CONNECTOR**

5,066,240	11/1991	Verdun .....	439/181
5,104,326	4/1992	Smith et al. ....	439/95
5,547,398	8/1996	Ichikawa et al. ....	439/607

[75] Inventors: **Chin-Yi Lai; Kun-Tsan Wu**, both of Tu-Chen, Taiwan

[73] Assignee: **Hon Hai Precision Ind. Co., Ltd.**, Taipei Hsien, Taiwan

[\*\*] Term: **14 Years**

*Primary Examiner*—Alan P. Douglas  
*Assistant Examiner*—Lavone D. Tabor

[21] Appl. No.: **79,654**

[22] Filed: **Nov. 21, 1997**

[57] **CLAIM**

The ornamental design for a high density electrical connector, as shown.

[30] **Foreign Application Priority Data**

May 30, 1997 [TW] Taiwan ..... 86304705

[51] **LOC (6) Cl.** ..... **13-03**

[52] **U.S. Cl.** ..... **D13/147**

[58] **Field of Search** ..... D13/146, 147;  
439/79-83, 95, 101, 108, 181, 607-610,  
620

**DESCRIPTION**

FIG. 1 is a perspective view of a high density electrical connector showing my new design;

FIG. 2 is a front elevational view thereof;

FIG. 3 is a rear elevational view thereof;

FIG. 4 is a left side elevational view thereof;

FIG. 5 is a right side elevational view thereof;

FIG. 6 is a top plan view thereof; and,

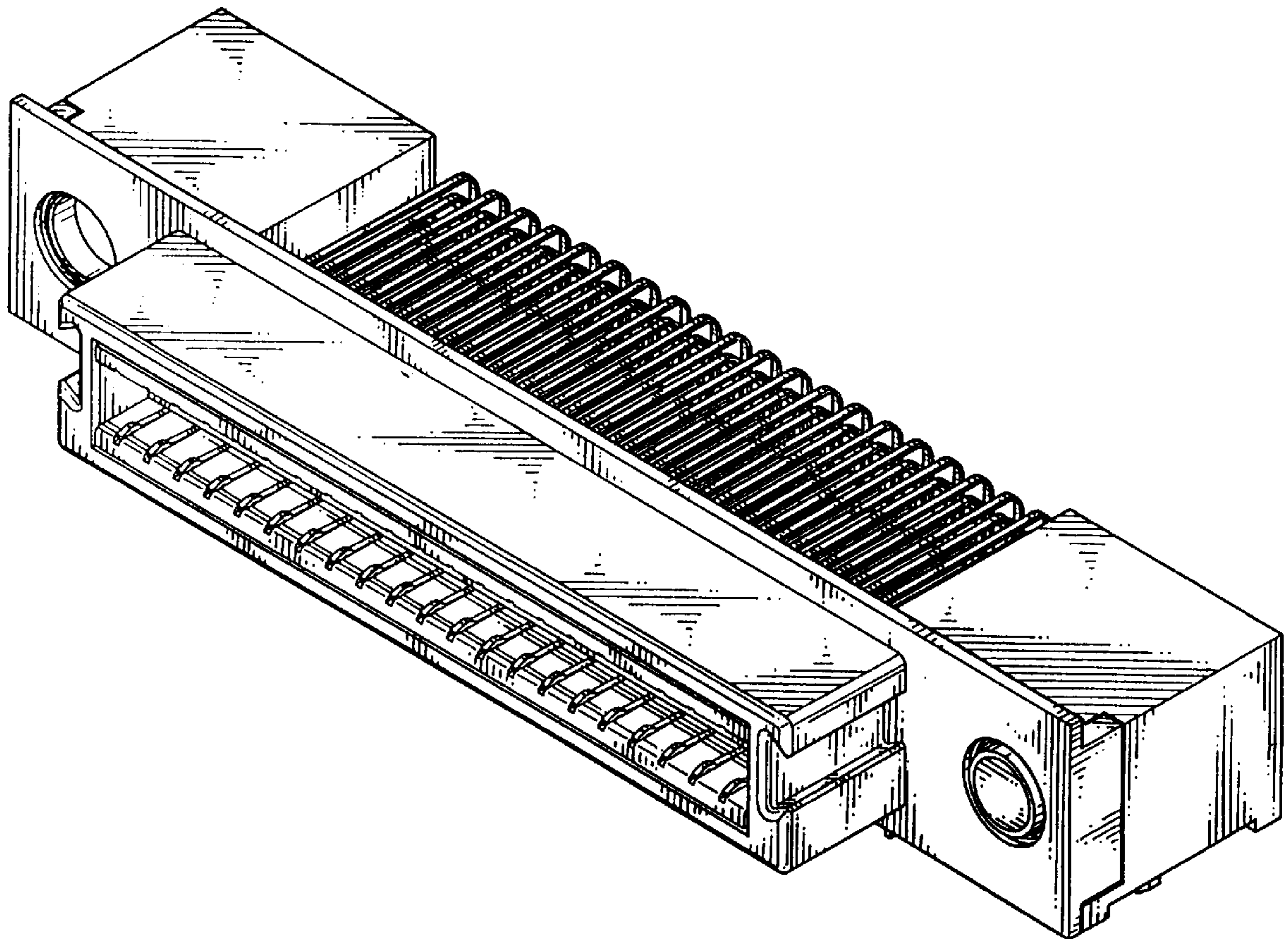
FIG. 7 is a bottom plan view thereof.

[56] **References Cited**

**U.S. PATENT DOCUMENTS**

D. 313,007 12/1990 Nakamura ..... D13/147

**1 Claim, 7 Drawing Sheets**



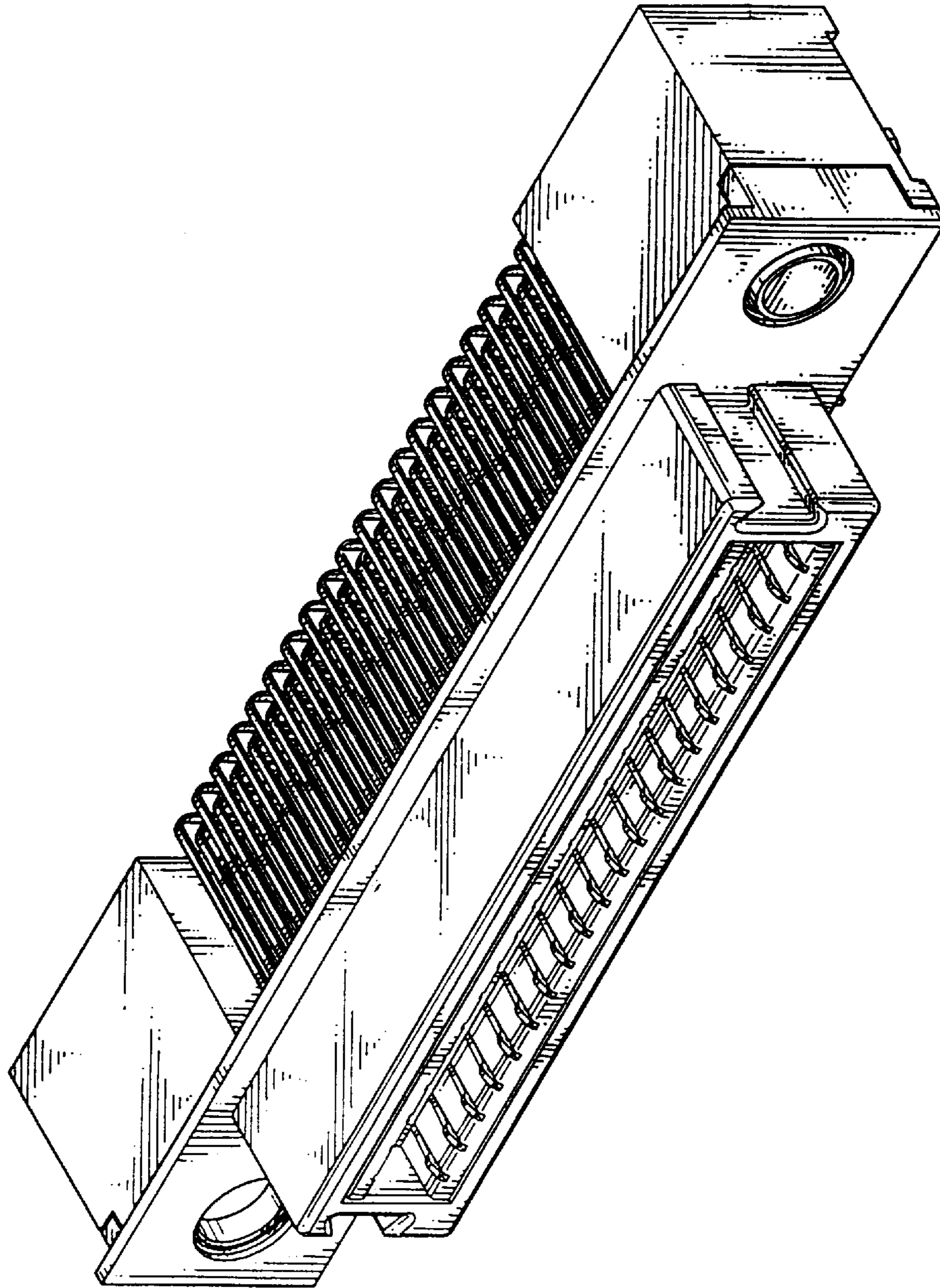


FIG.1

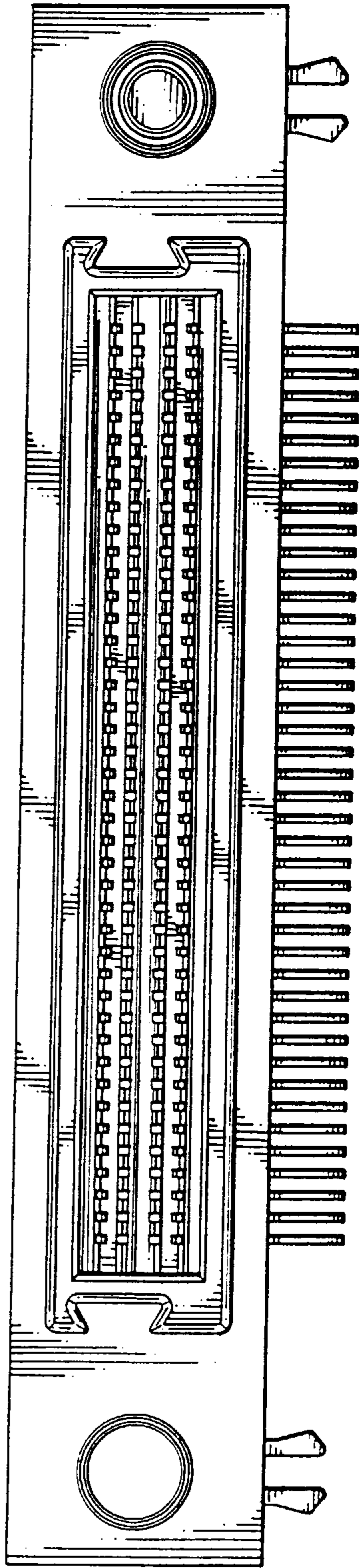


FIG.2

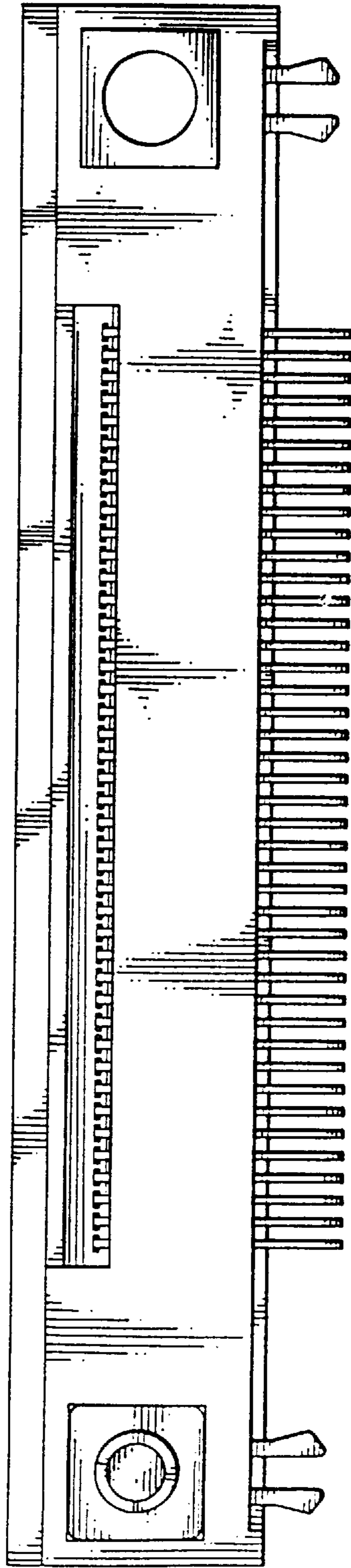


FIG.3

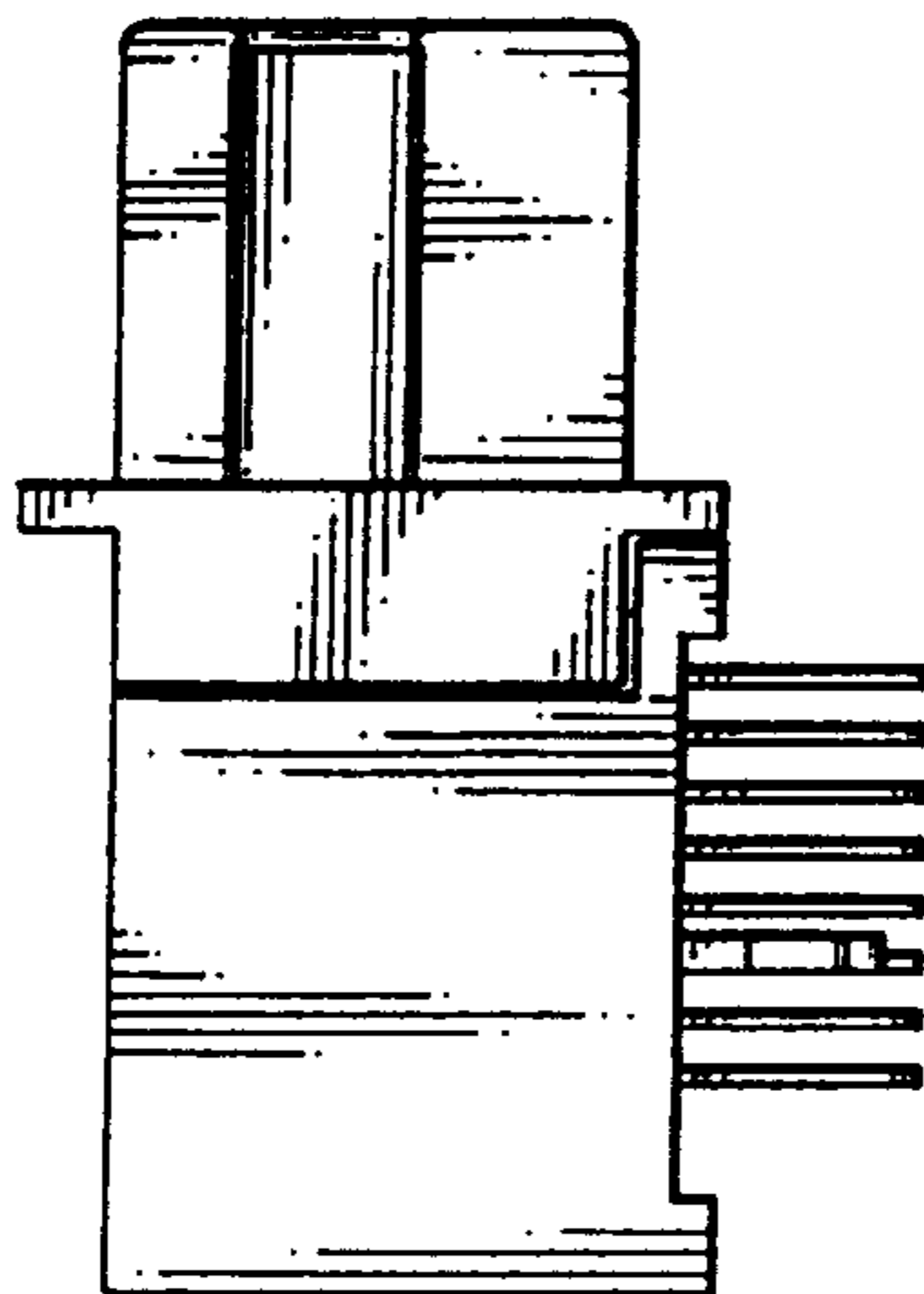


FIG.4

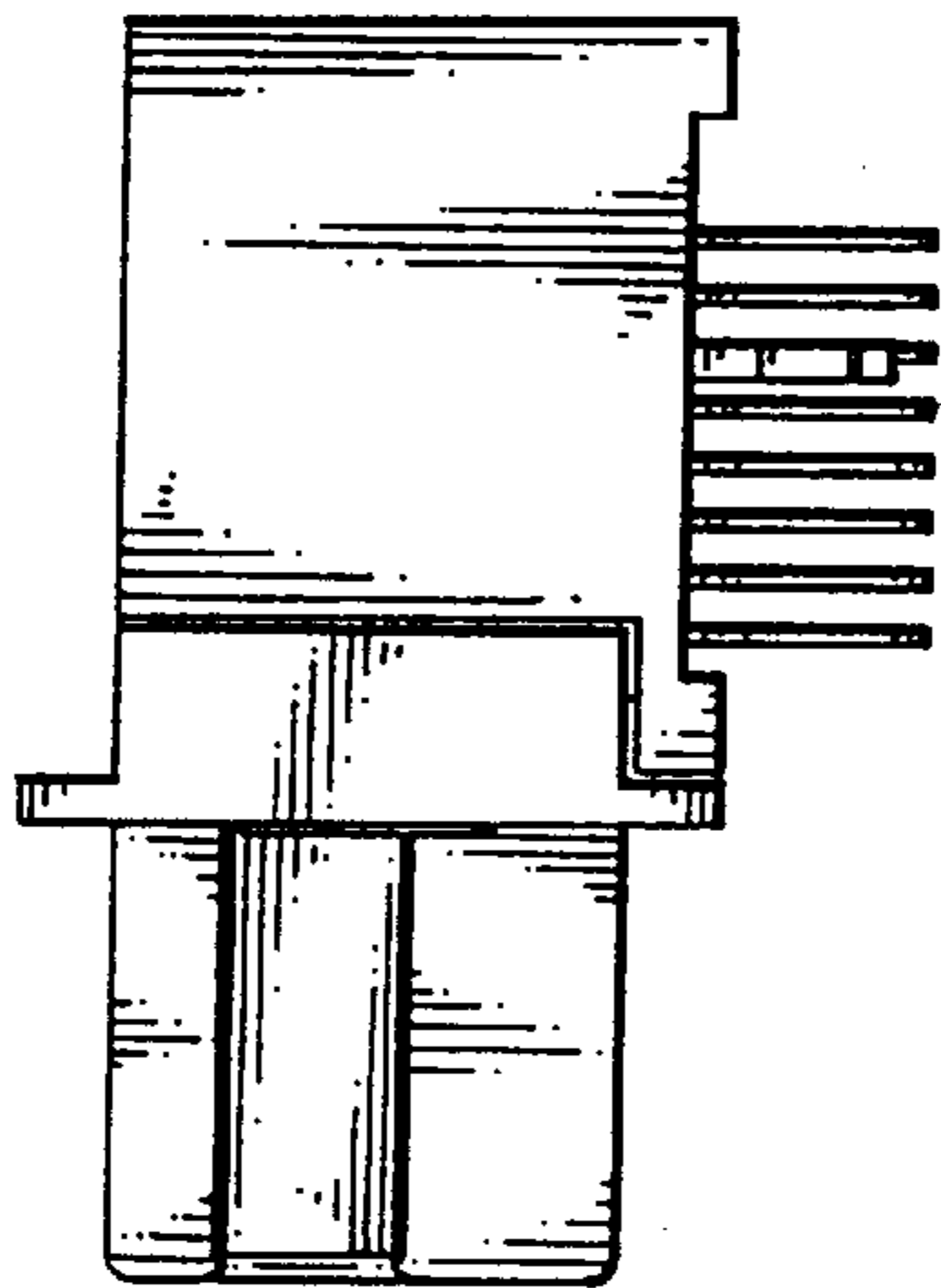


FIG.5

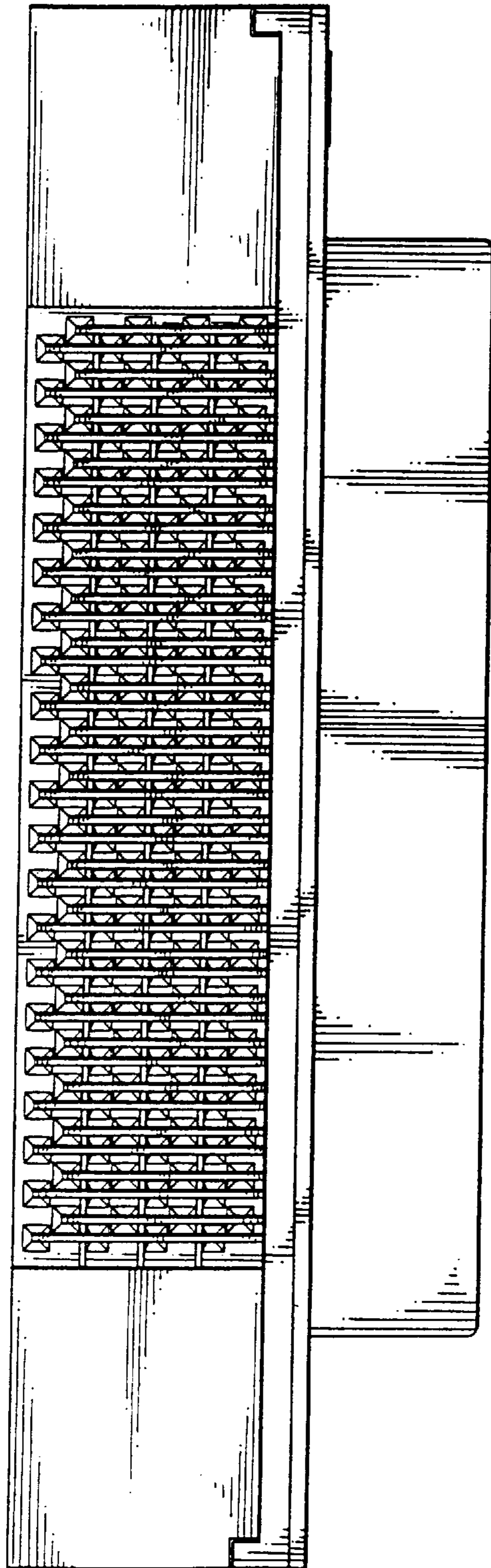


FIG.6

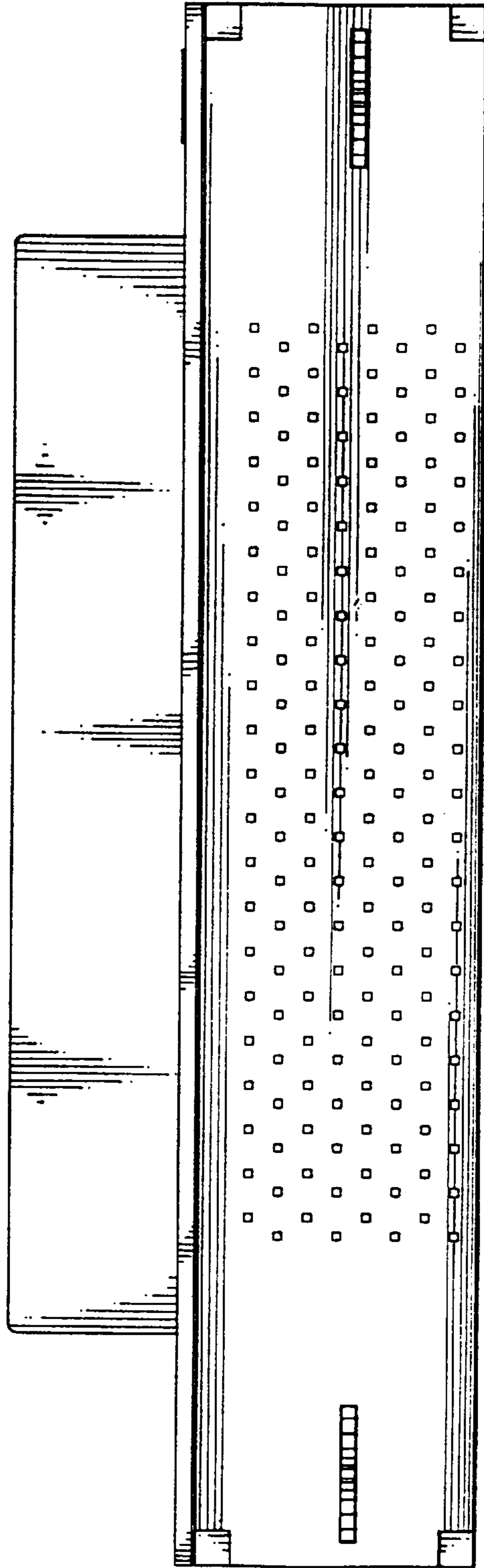


FIG. 7