



US00D407689S

United States Patent [19]

Dague et al.

[11] Patent Number: Des. 407,689

[45] Date of Patent: **Apr. 6, 1999

[54] FEMALE ELECTRICAL CONNECTOR

[75] Inventors: Wallis Allen Dague, Louisville, Colo.;
Virat Thantrakul, La Crescenta, Calif.

[73] Assignee: Seagate Technology, Inc., Scotts
Valley, Calif.

[**] Term: 14 Years

[21] Appl. No.: 61,167

[22] Filed: Oct. 17, 1996

[51] LOC (6) Cl. 13-03

[52] U.S. Cl. D13/147

[58] Field of Search D13/147; 439/677,
439/680, 606, 374, 79

[56] References Cited

U.S. PATENT DOCUMENTS

D. 218,747	9/1970	Morris et al.	D13/147
D. 316,846	5/1991	Moriai et al.	D13/147
4,596,428	6/1986	Tengler	439/606 X
4,764,129	8/1988	Jones et al.	439/680 X
5,184,961	2/1993	Ramirez et al.	439/59
5,238,413	8/1993	McCaffrey et al.	439/79
5,356,300	10/1994	Costello et al.	439/378 X
5,549,480	8/1996	Cheng	439/682 X
5,588,849	12/1996	Kile	439/78 X

OTHER PUBLICATIONS

BergCon (R) System connector on p. 30 of DU Pont Systems
Catalog 86-A Mar. 1986.

Primary Examiner—Joel Sincavage

Attorney, Agent, or Firm—McDermott, Will & Emery

[57] CLAIM

The ornamental design for a female electrical connector, as
shown and described.

DESCRIPTION

FIG. 1 is a perspective view of a first embodiment showing
our new design;

FIG. 2 is an end elevation view thereof, the opposite end
elevation view being a mirror image of the same;

FIG. 3 is a rear plan view thereof;

FIG. 4 is a top plan view thereof;

FIG. 5 is a front elevation view thereof;

FIG. 6 is a bottom plan view thereof;

FIG. 7 is a perspective view of a second embodiment
showing our new design;

FIG. 8 is an end elevation view thereof, the opposite end
elevation view being a mirror image of the same;

FIG. 9 is a rear elevation view thereof;

FIG. 10 is a top plan view thereof;

FIG. 11 is a front elevation view thereof; and,

FIG. 12 is a bottom plan view thereof.

1 Claim, 2 Drawing Sheets

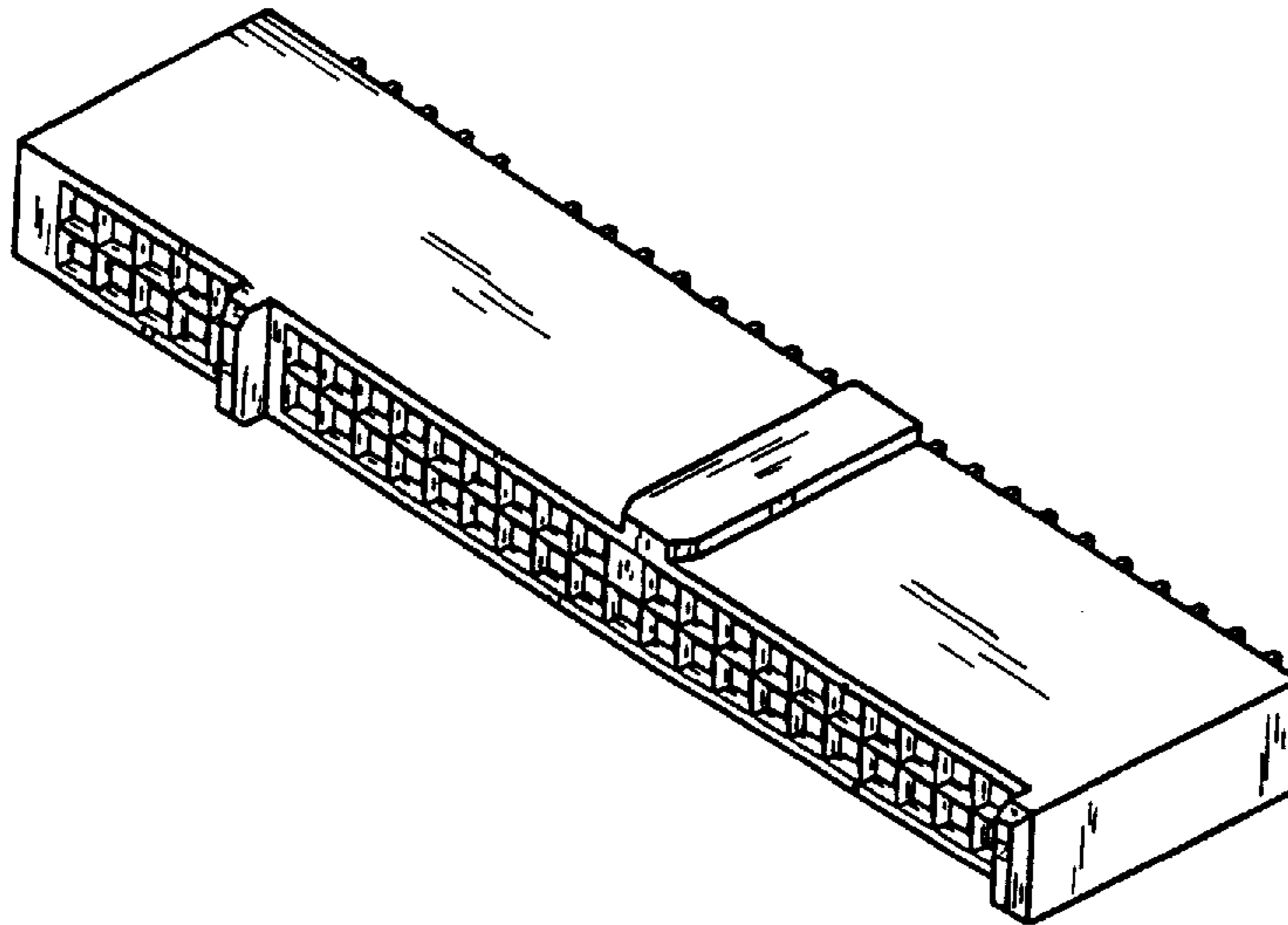


FIG. 1

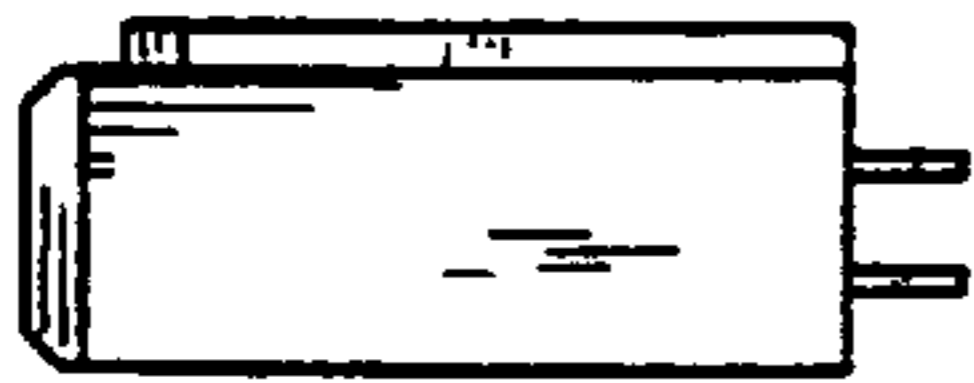
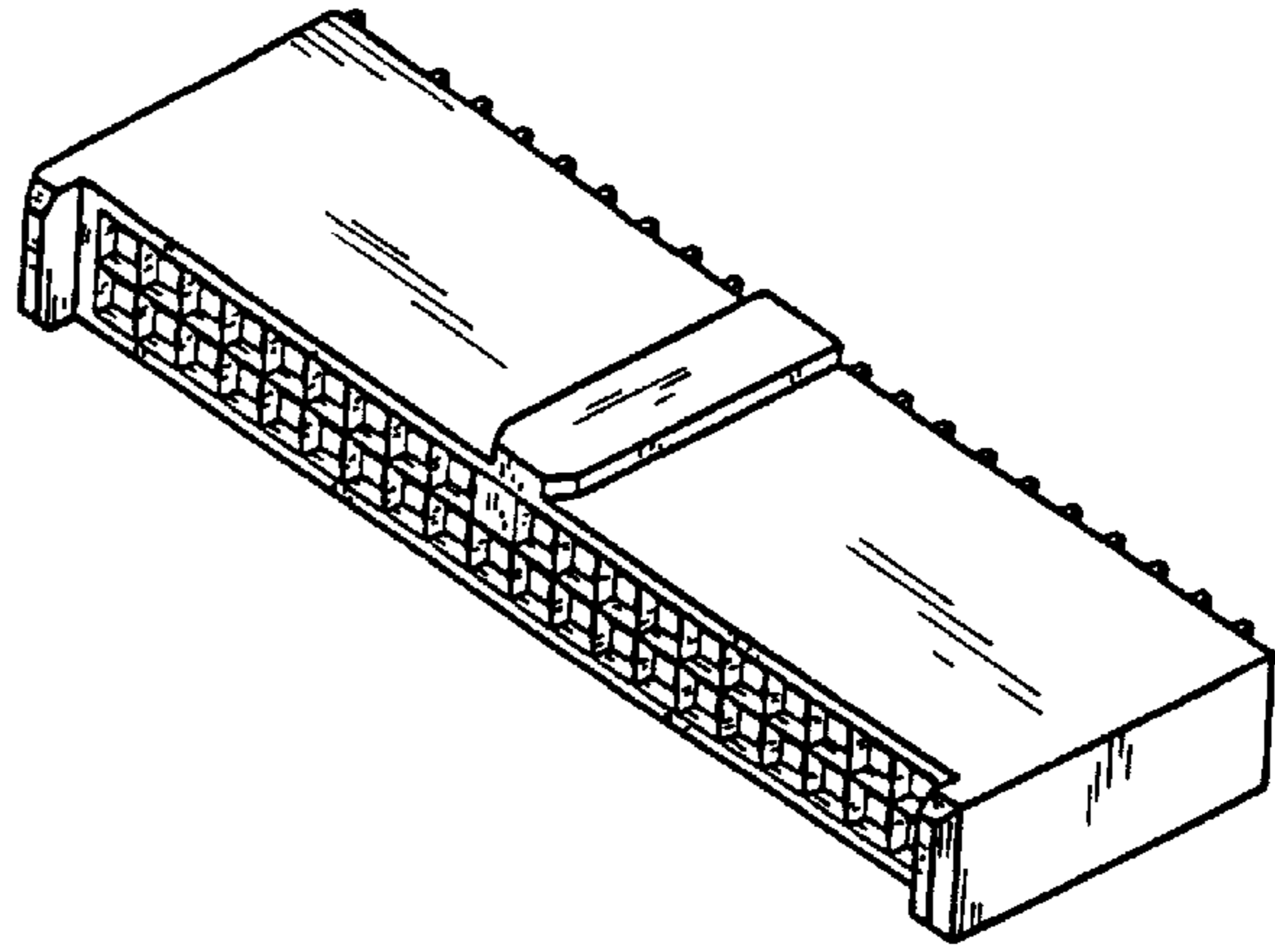


FIG. 2

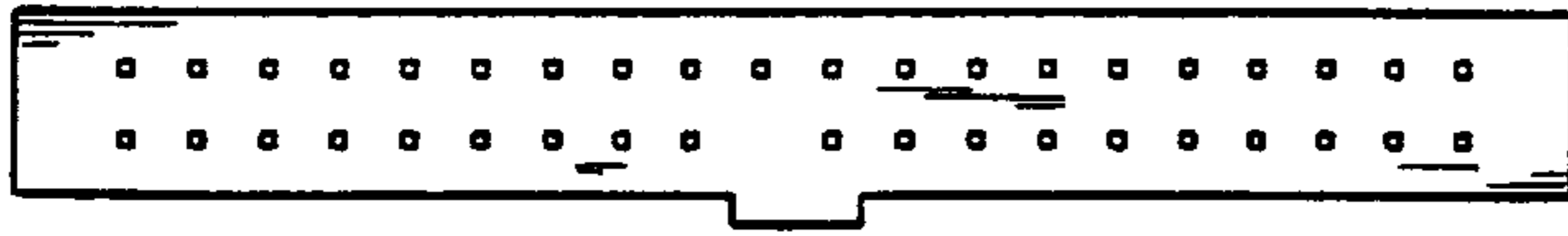


FIG. 3

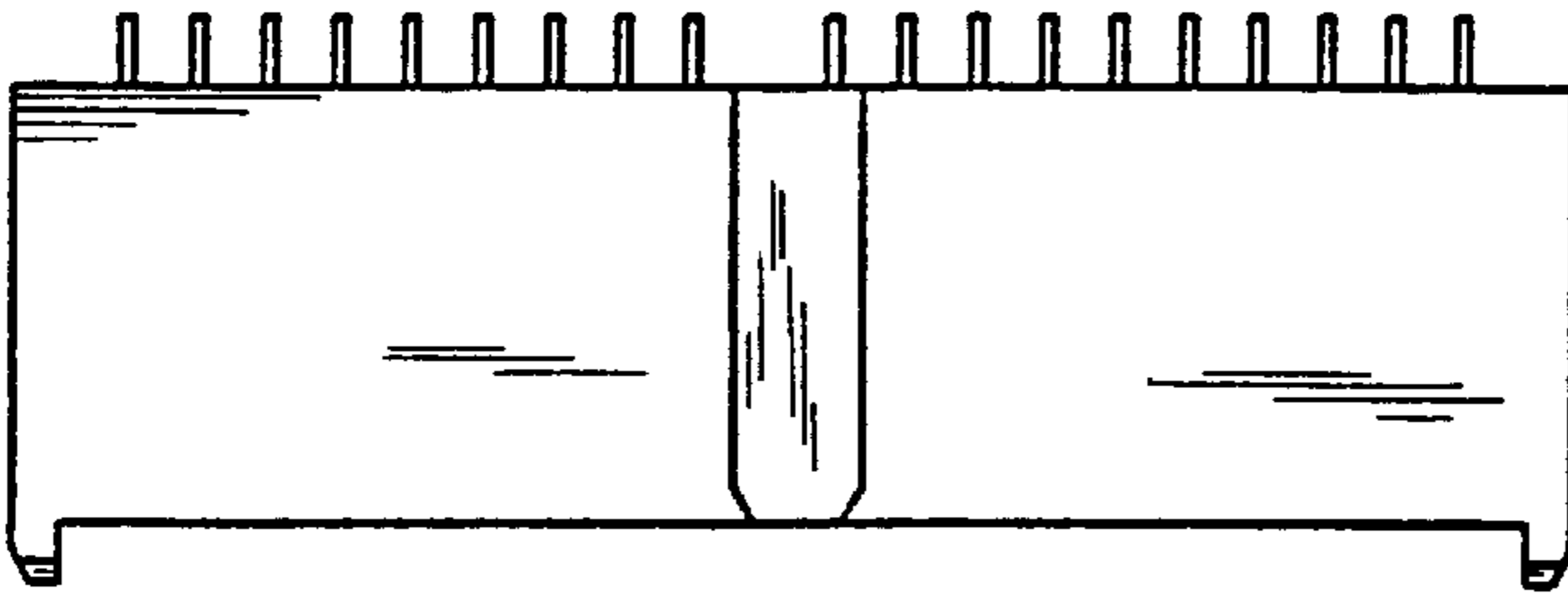


FIG. 4

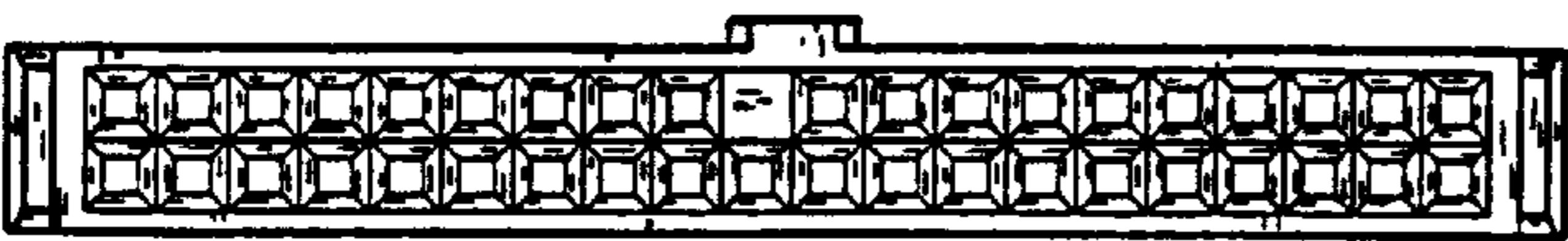


FIG. 5

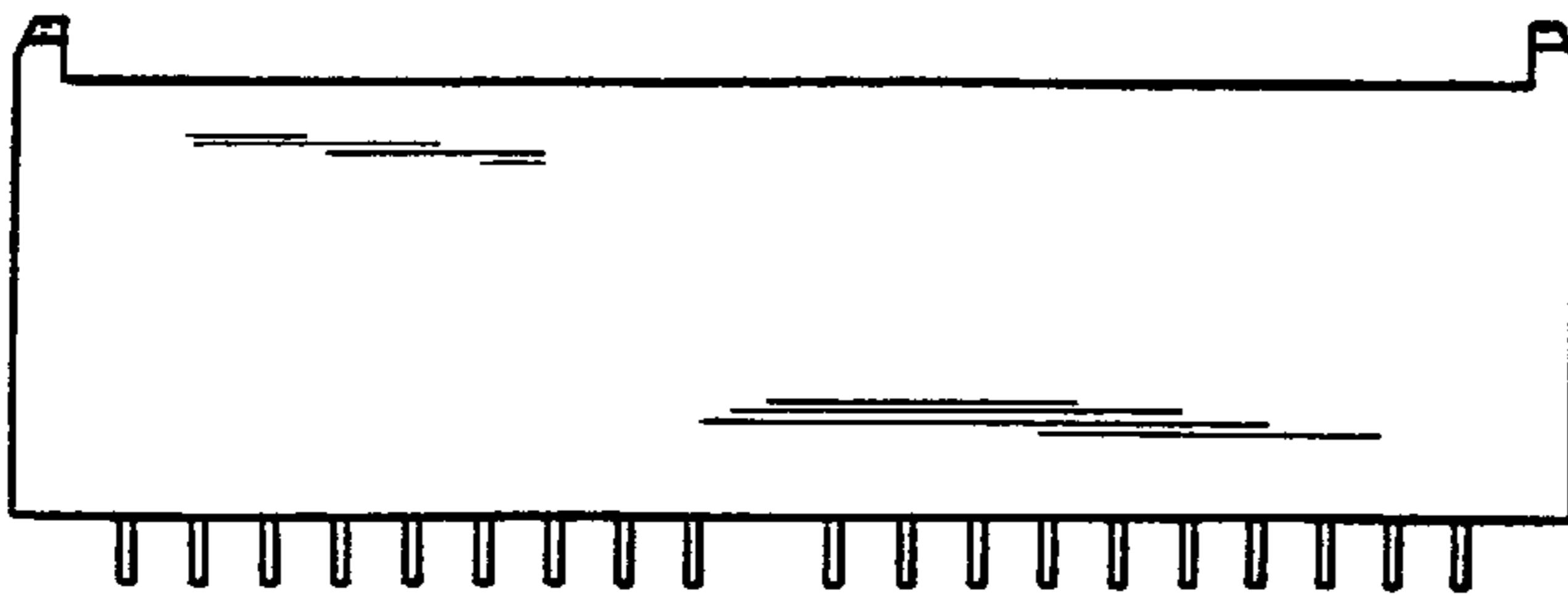


FIG. 6

FIG. 7

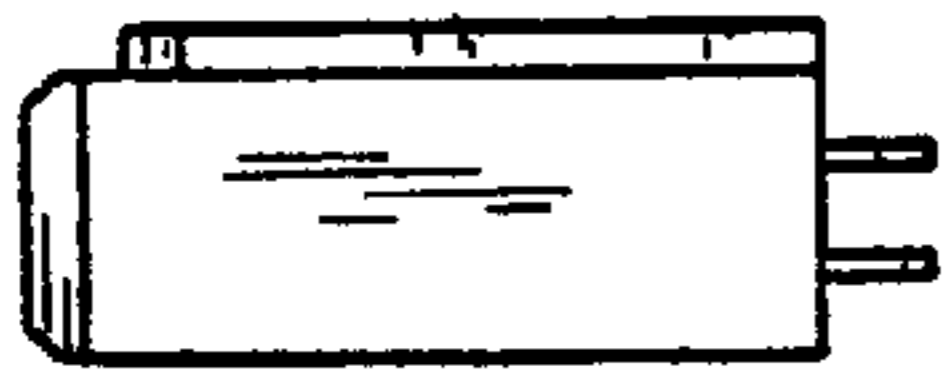
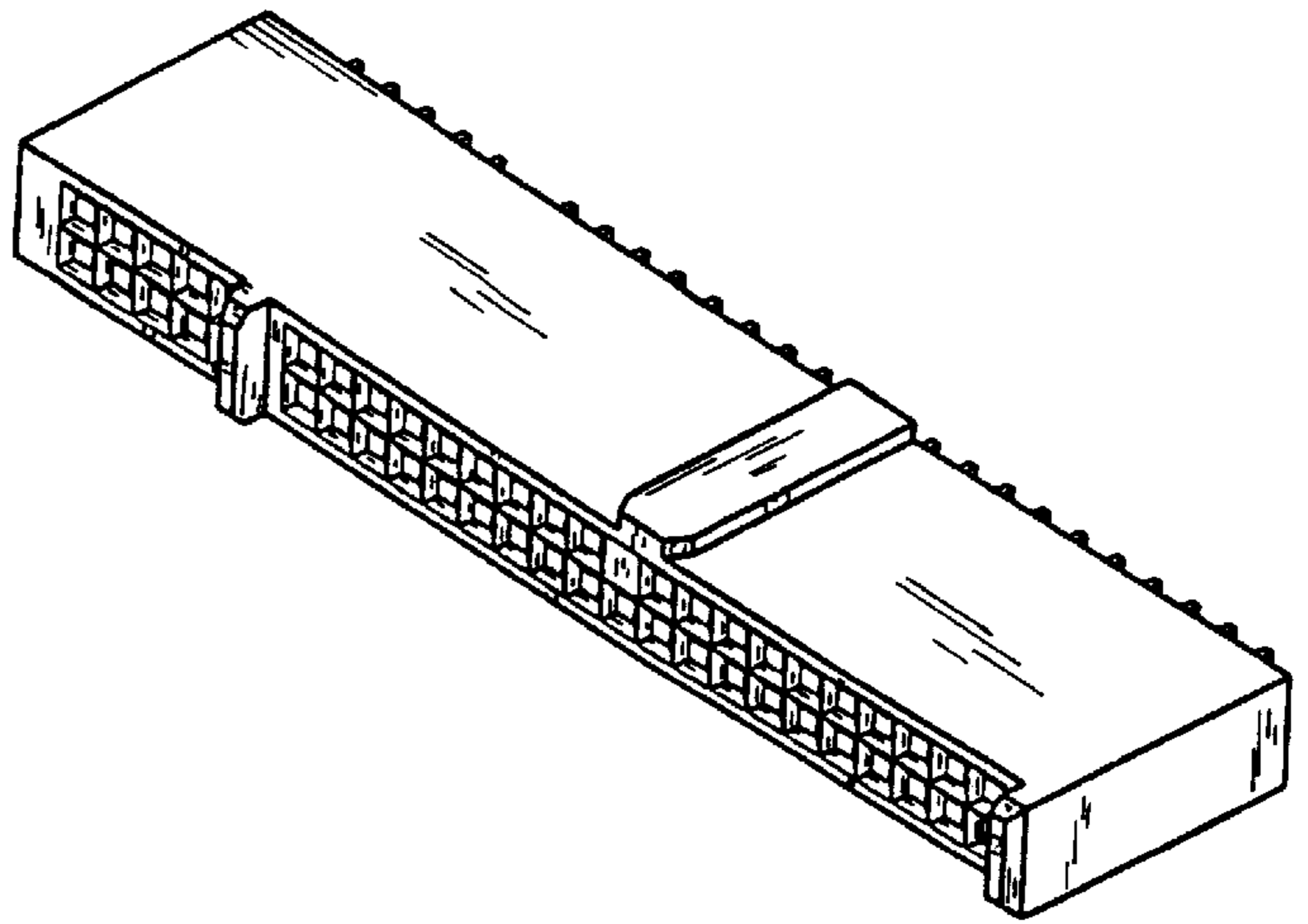


FIG. 8

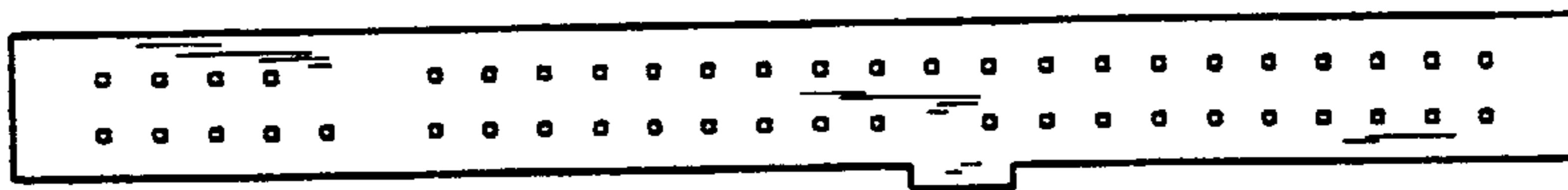


FIG. 9

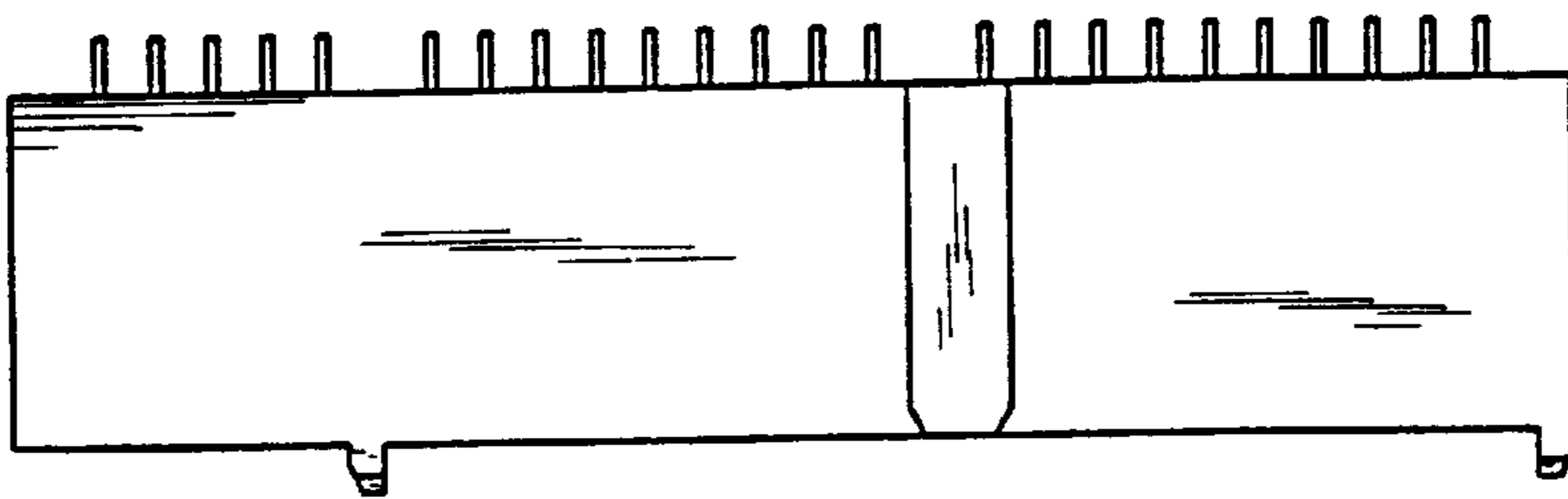


FIG. 10

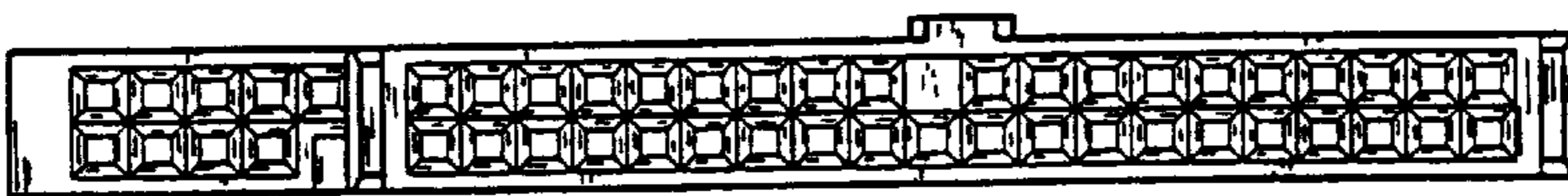


FIG. 11

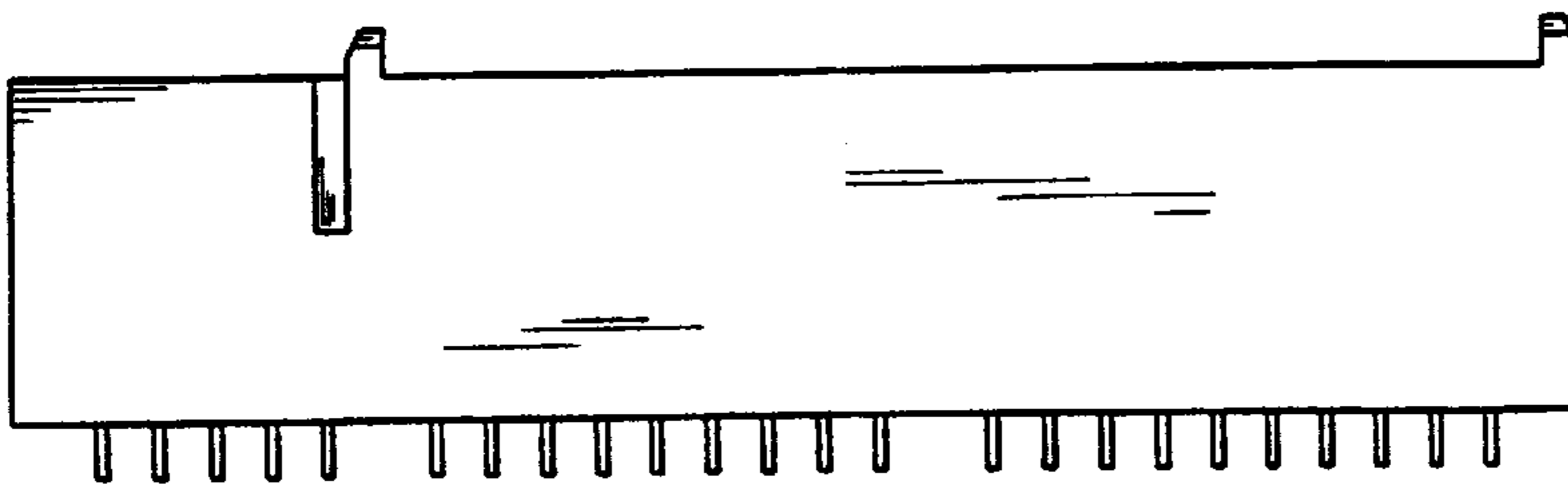


FIG. 12