



US00D407687S

# United States Patent [19]

Tashiro

[11] **Patent Number:** **Des. 407,687**

[45] **Date of Patent:** **\*\*Apr. 6, 1999**

[54] **DC POWER SUPPLY**

[75] Inventor: **Naoki Tashiro**, Kawasaki, Japan

[73] Assignee: **Canon Kabushiki Kaisha**, Tokyo, Japan

[\*\*] Term: **14 Years**

[21] Appl. No.: **91,275**

[22] Filed: **Jul. 27, 1998**

[30] **Foreign Application Priority Data**

Jan. 30, 1998 [JP] Japan ..... 10-2425

[51] **LOC (6) Cl.** ..... **13-02**

[52] **U.S. Cl.** ..... **D13/110; D16/219**

[58] **Field of Search** ..... D13/103, 110; D16/219; 307/150; 429/96-100; 396/301

[56] **References Cited**

**U.S. PATENT DOCUMENTS**

4,792,762 12/1988 Shiina et al. .... 396/279 X

5,132,800 7/1992 Wada et al. .... 396/301 X

5,151,727 9/1992 Sasaki ..... 396/301 X  
5,189,520 2/1993 Okayasu et al. .... 396/301 X  
5,630,193 5/1997 Miyake et al. .... 396/301 X

*Primary Examiner*—Joel Sincavage  
*Attorney, Agent, or Firm*—Fitzpatrick, Cella, Harper & Scinto

[57] **CLAIM**

The ornamental design for a DC power supply, as shown and described.

**DESCRIPTION**

FIG. 1 is a front view of a DC power supply showing my new design;

FIG. 2 is a rear view thereof;

FIG. 3 is a top plan view thereof;

FIG. 4 is a bottom plan view thereof;

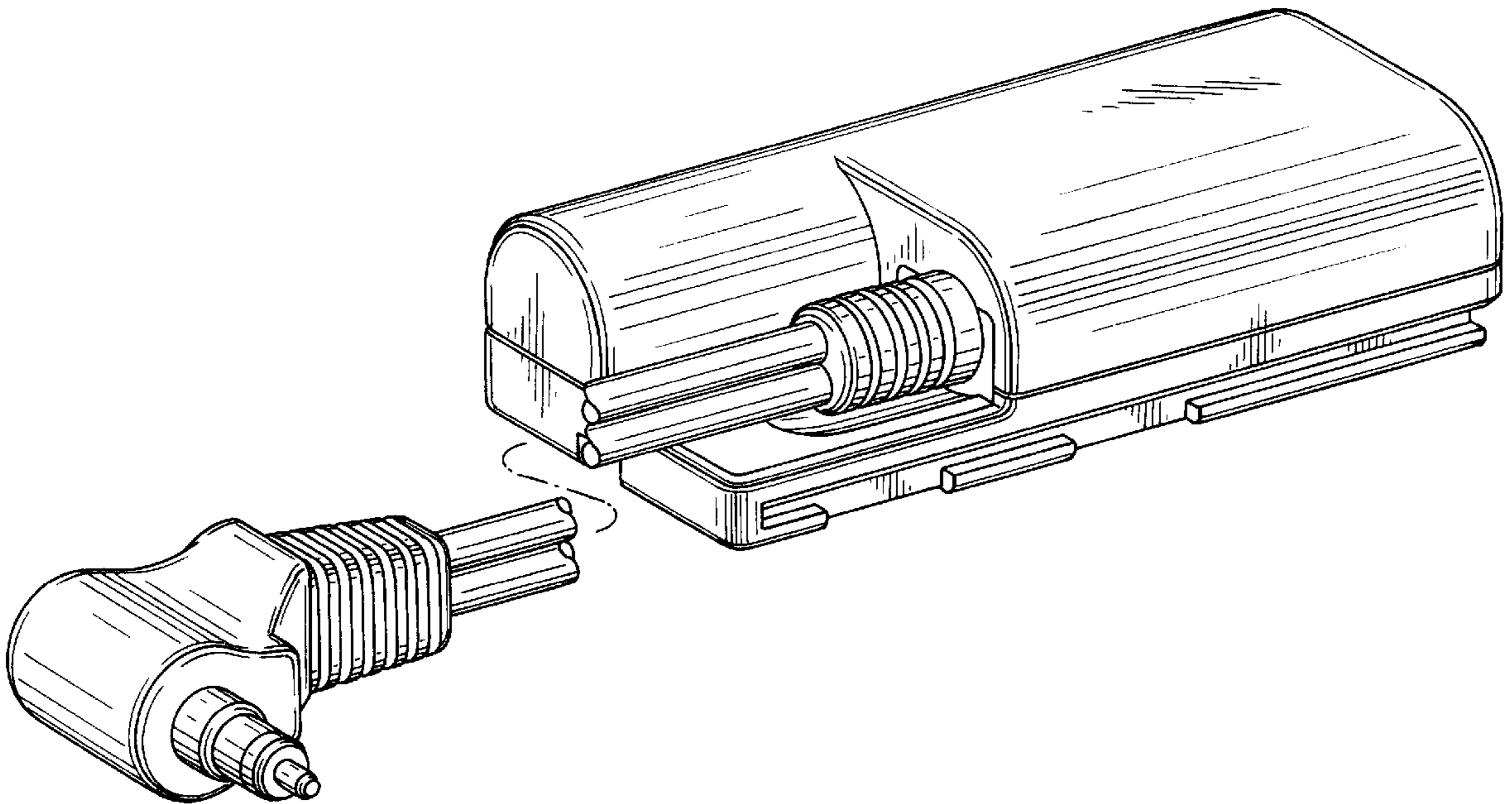
FIG. 5 is a left side view thereof;

FIG. 6 is a right side view thereof; and,

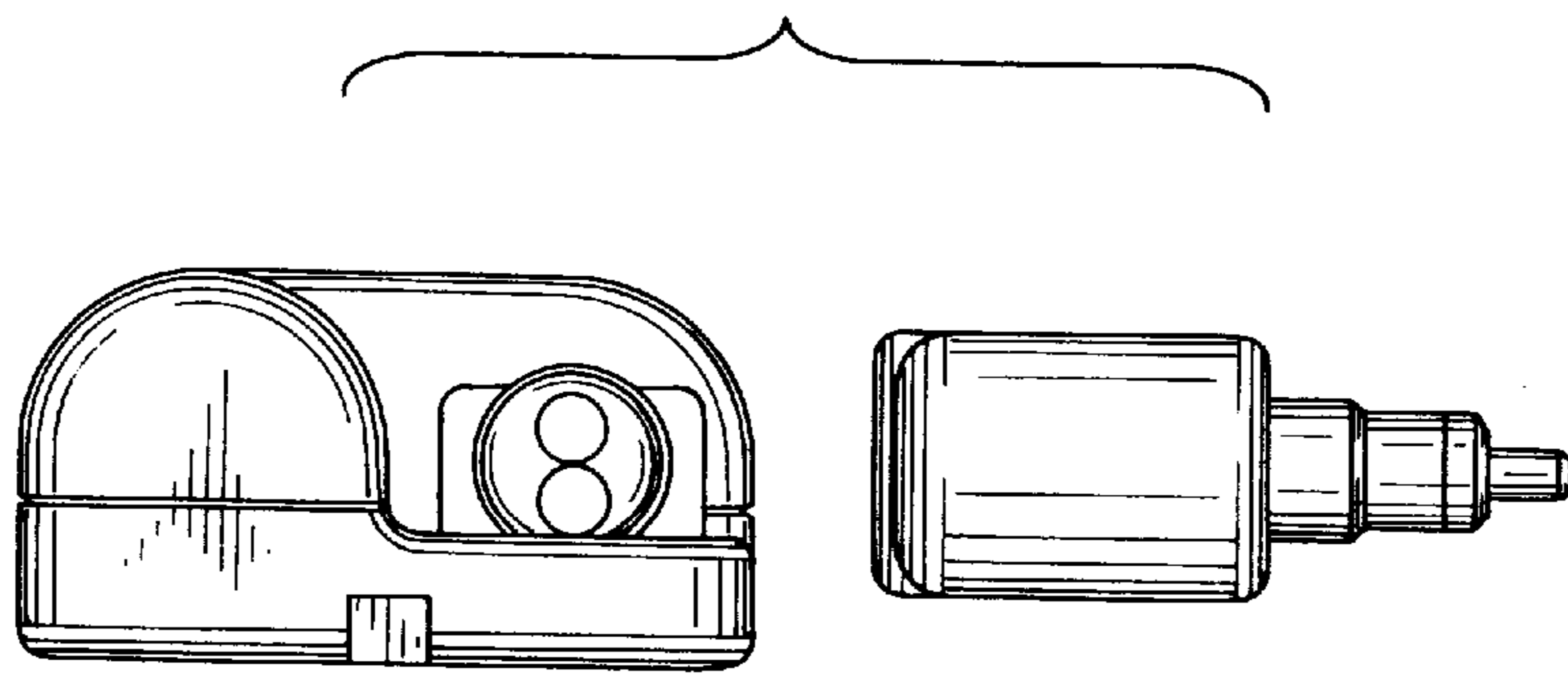
FIG. 7 is a perspective view thereof.

The cord is shown broken away throughout the views to indicate an indeterminate length.

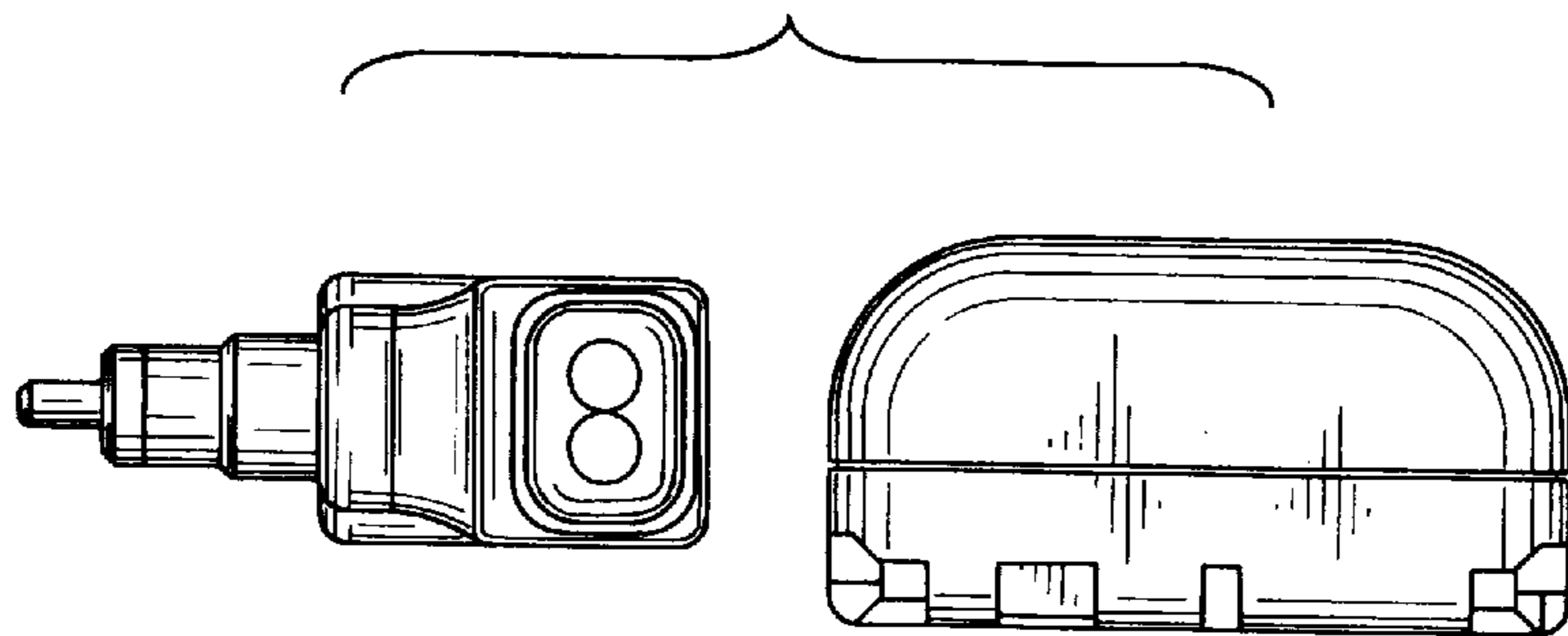
**1 Claim, 5 Drawing Sheets**



*FIG. 1*



*FIG. 2*



*FIG. 3*

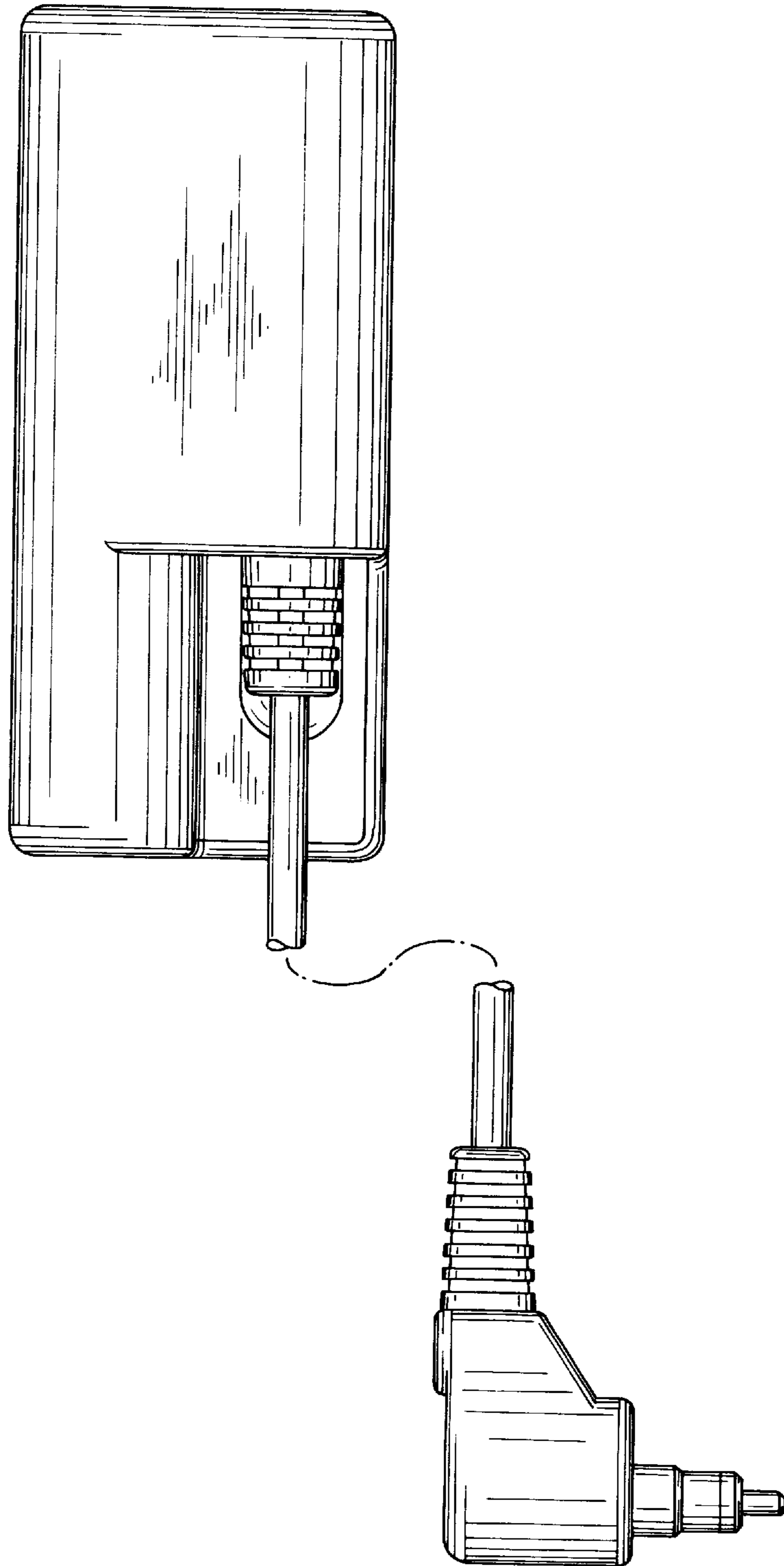


FIG. 4

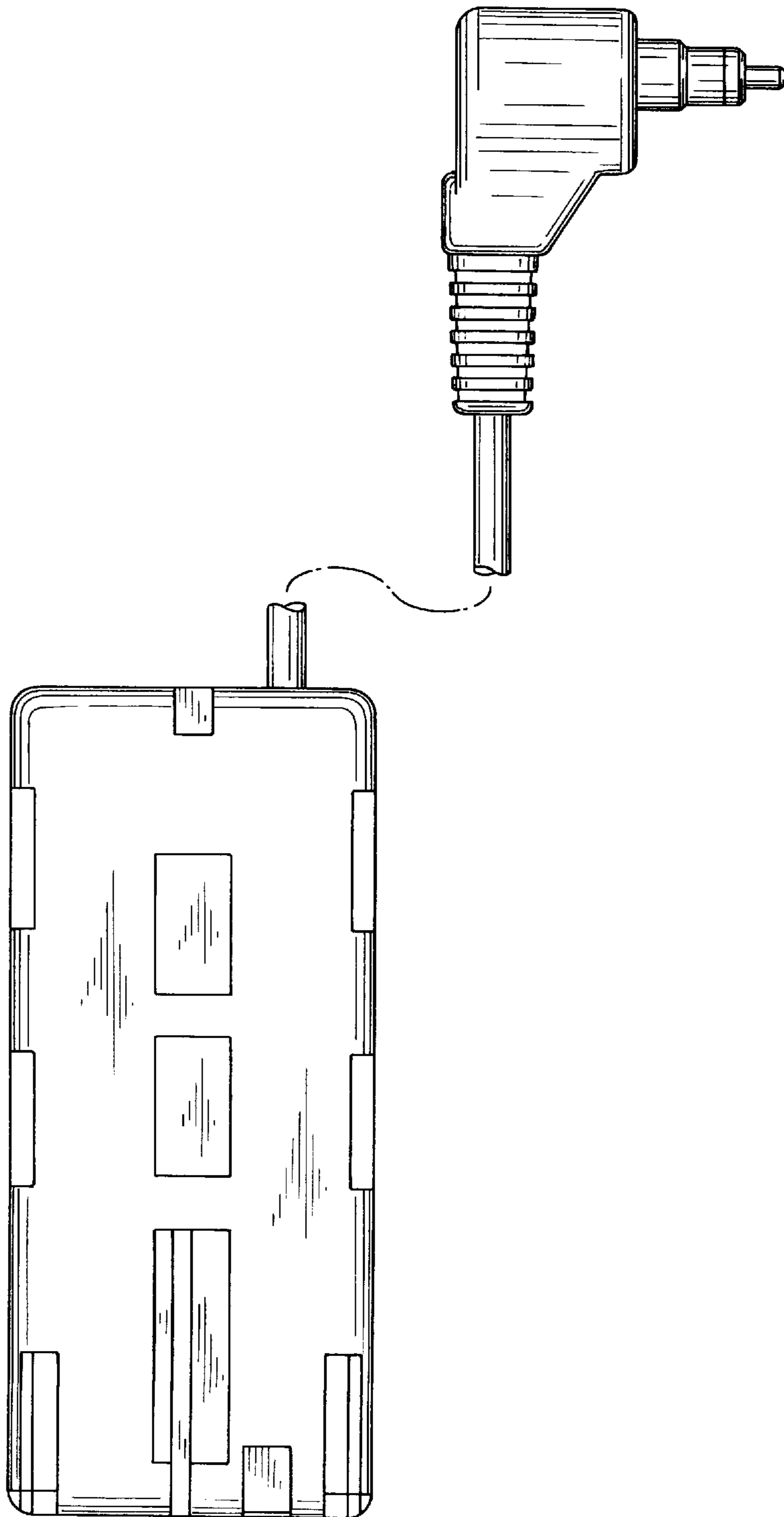


FIG. 5

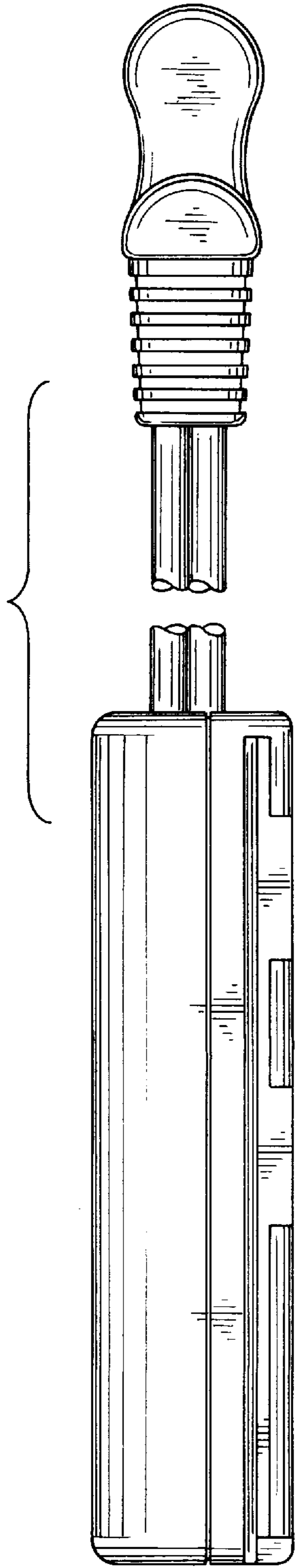


FIG. 6

