



US00D407683S

United States Patent [19]

Linssen

[11] **Patent Number: Des. 407,683**

[45] **Date of Patent: **Apr. 6, 1999**

[54] **CONVERTIBLE TOP FOR A BOAT**

[75] Inventor: **Jozef Peter Hendrikus Linssen**,
Maaseik, Netherlands

[73] Assignee: **Linssen Holding B.V.**, Maasbracht,
Netherlands

[**] Term: **14 Years**

[21] Appl. No.: **85,442**

[22] Filed: **Mar. 23, 1998**

[30] **Foreign Application Priority Data**

Sep. 24, 1997 [XH] Hague Agreement DMA/003851

[51] **LOC (6) Cl.** **12-06**

[52] **U.S. Cl.** **D12/317**

[58] **Field of Search** D12/300-318;
114/361; 135/128; 296/116

[56] **References Cited**

U.S. PATENT DOCUMENTS

3,195,549 7/1965 Stevens 114/361

3,285,258 11/1966 Hage et al. 114/361
4,951,594 8/1990 Feikema 114/361
5,542,735 8/1996 Fürst et al. 296/107

Primary Examiner—Kay H. Chin
Attorney, Agent, or Firm—Ladas & Parry

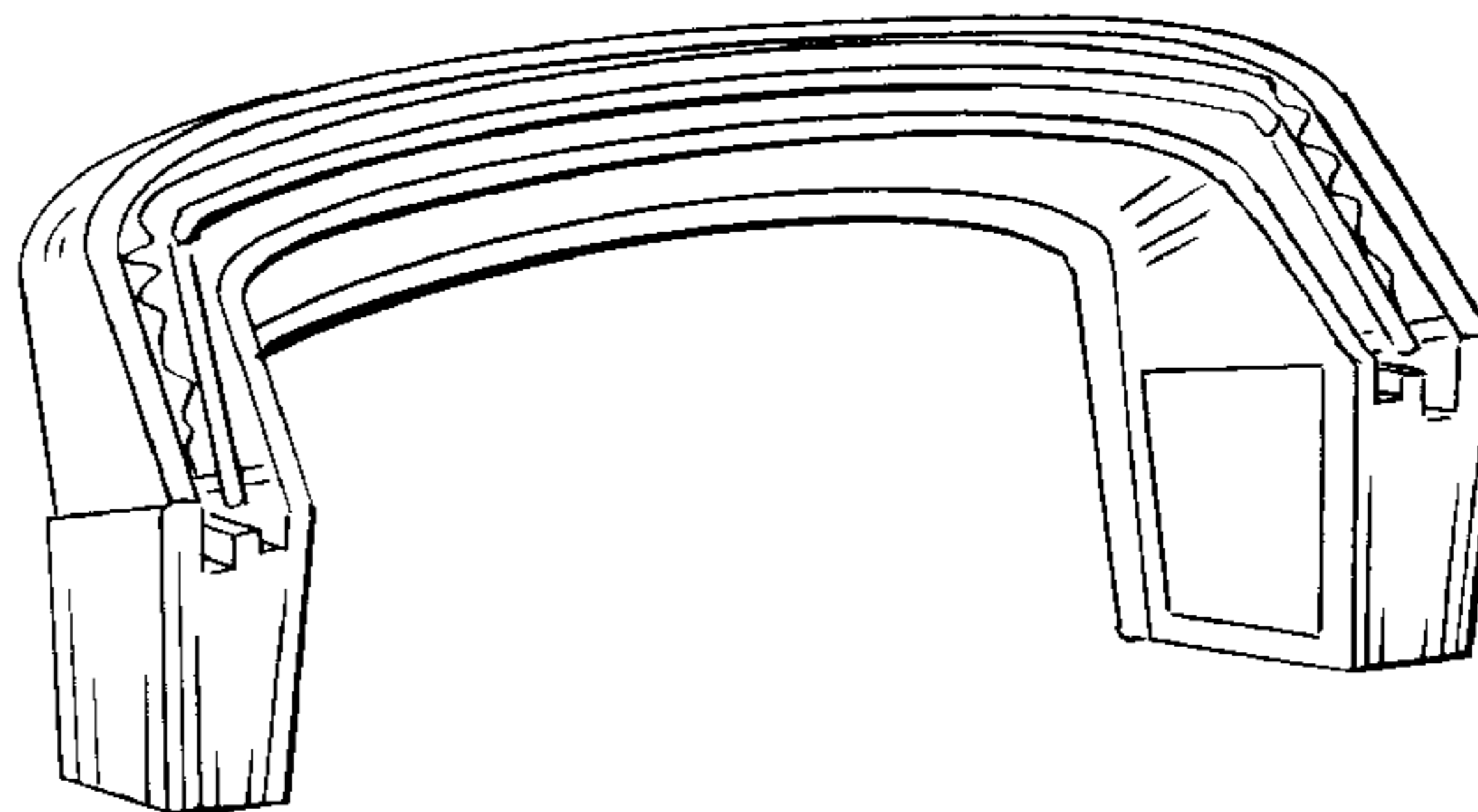
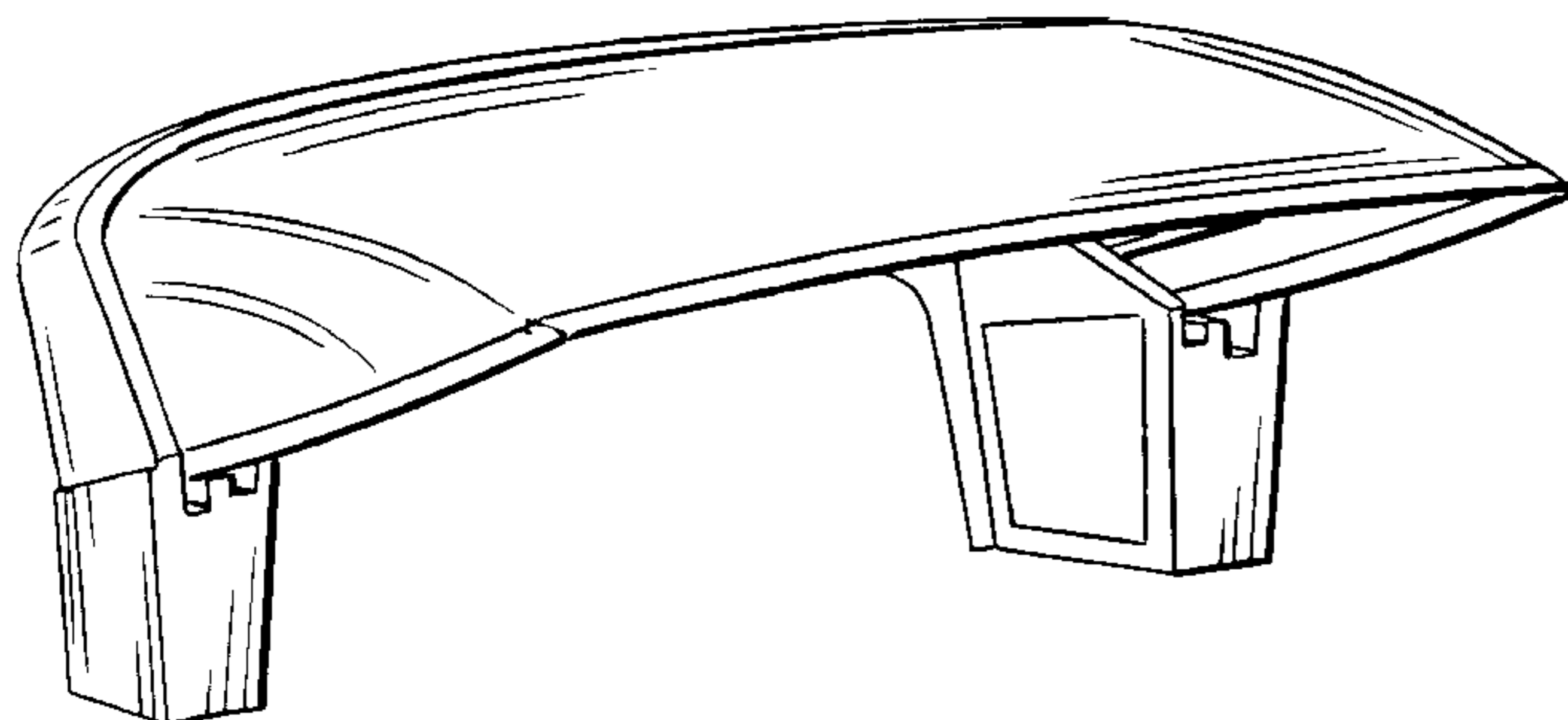
[57] **CLAIM**

The ornamental design for a “convertible top for a boat”, as shown.

DESCRIPTION

FIG. 1 is a perspective view of a “convertible top for a boat”, in its extended position, showing my new design;
FIG. 2 is a front plan view thereof;
FIG. 3 is a rear plan view thereof;
FIG. 4 is a right side plan view thereof;
FIG. 5 is a left side plan view thereof;
FIG. 6 is a top plan view thereof; and
FIG. 7 is a bottom plan view thereof; and,
FIG. 8 is a perspective view of the “convertible top for a boat” in its retracted position.

1 Claim, 4 Drawing Sheets



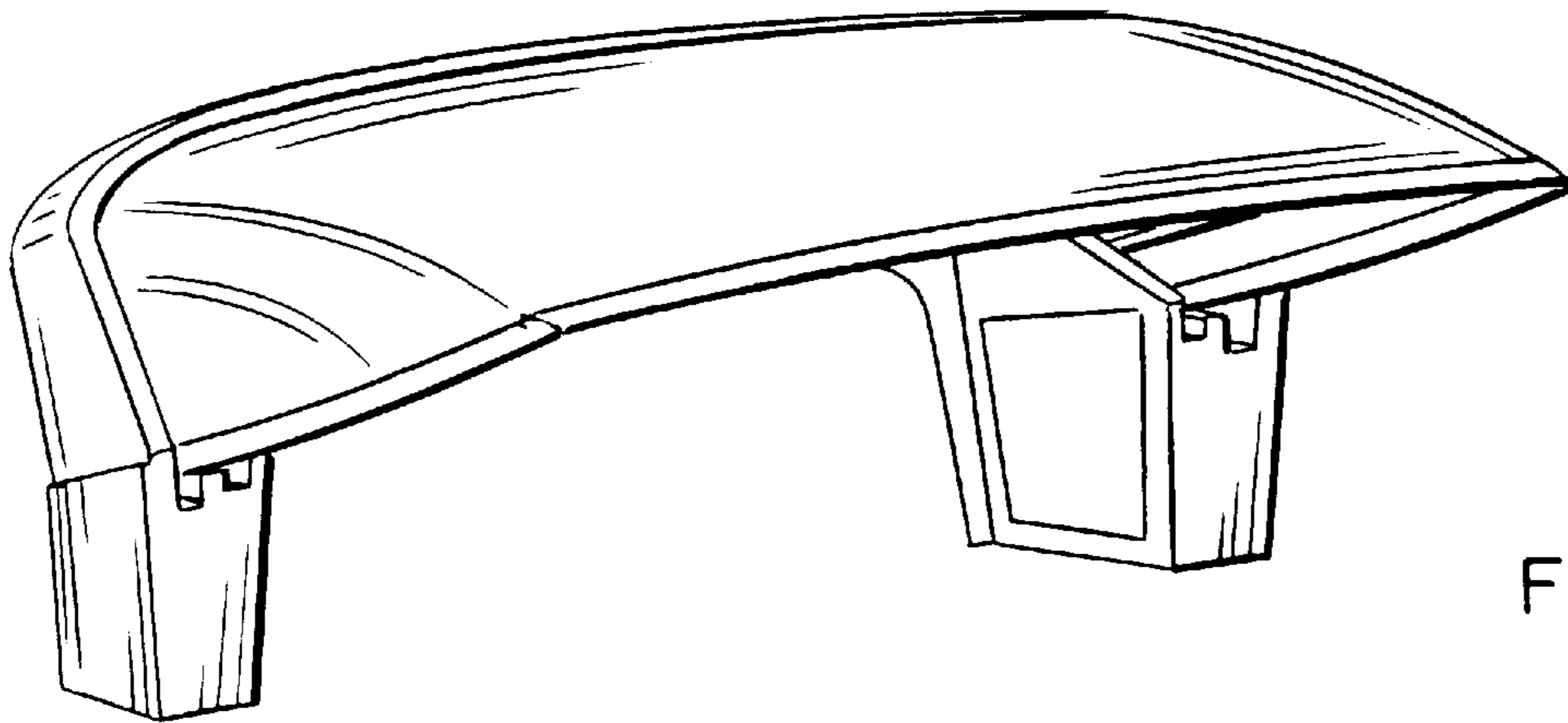


FIG. 1

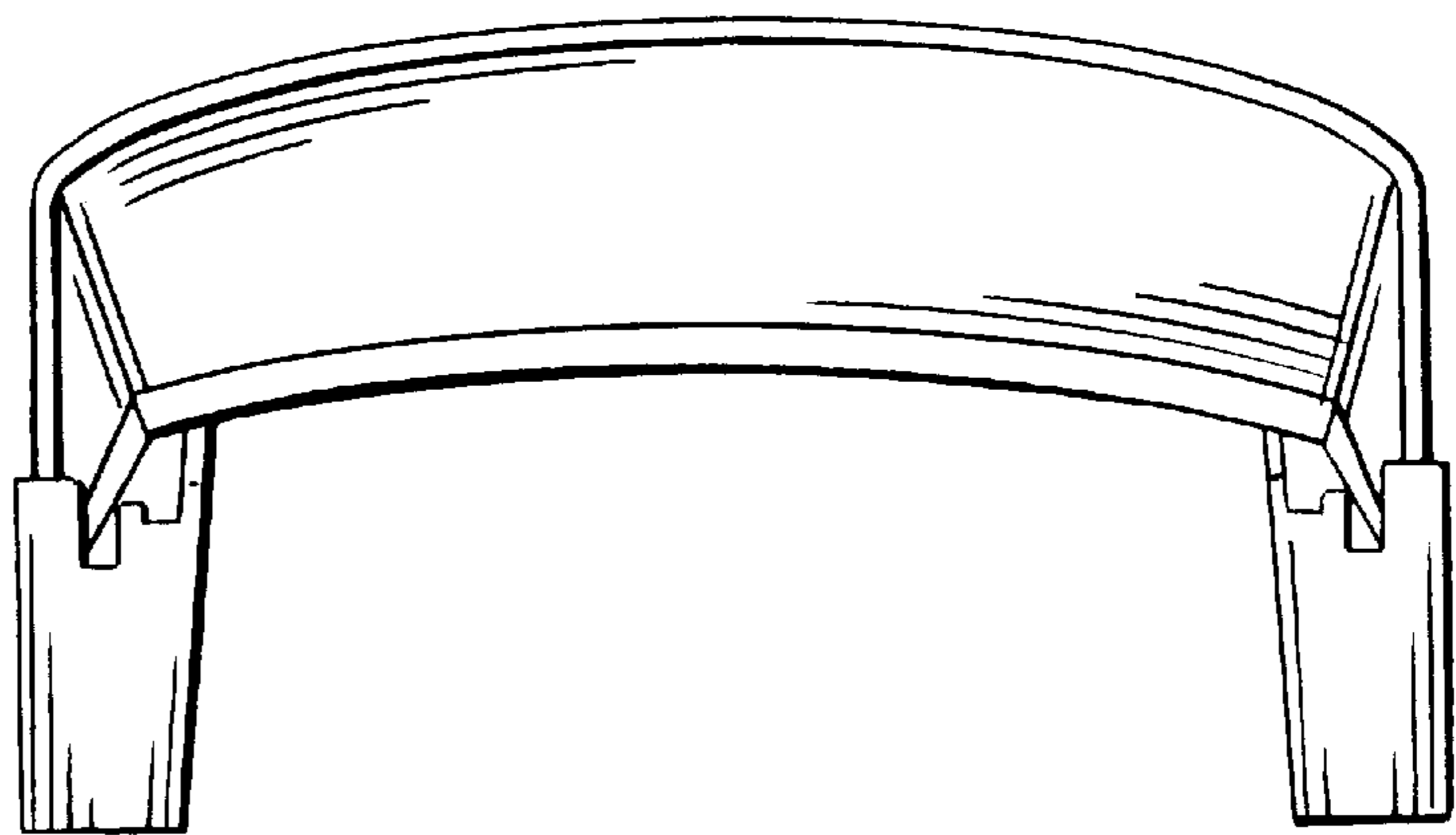


FIG. 2



FIG. 3

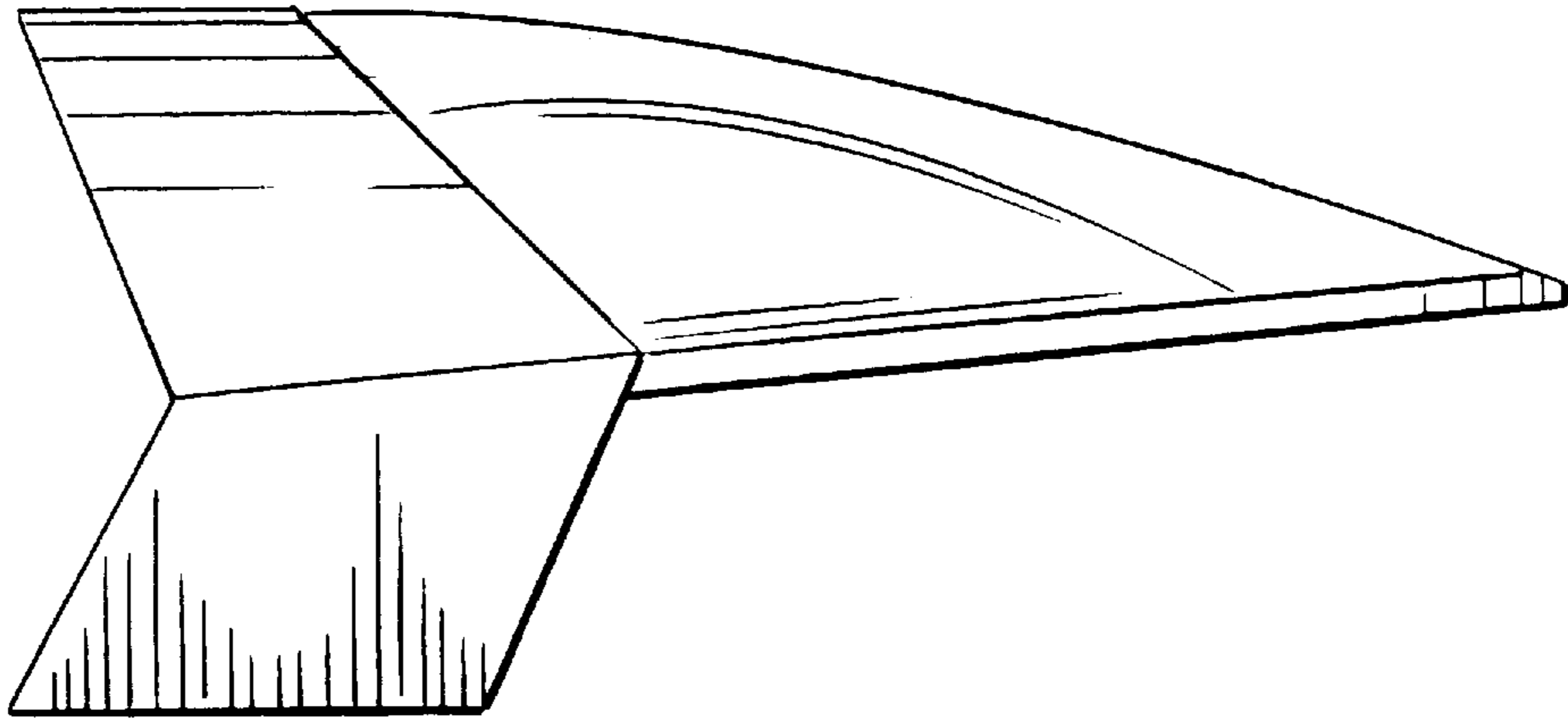


FIG. 4

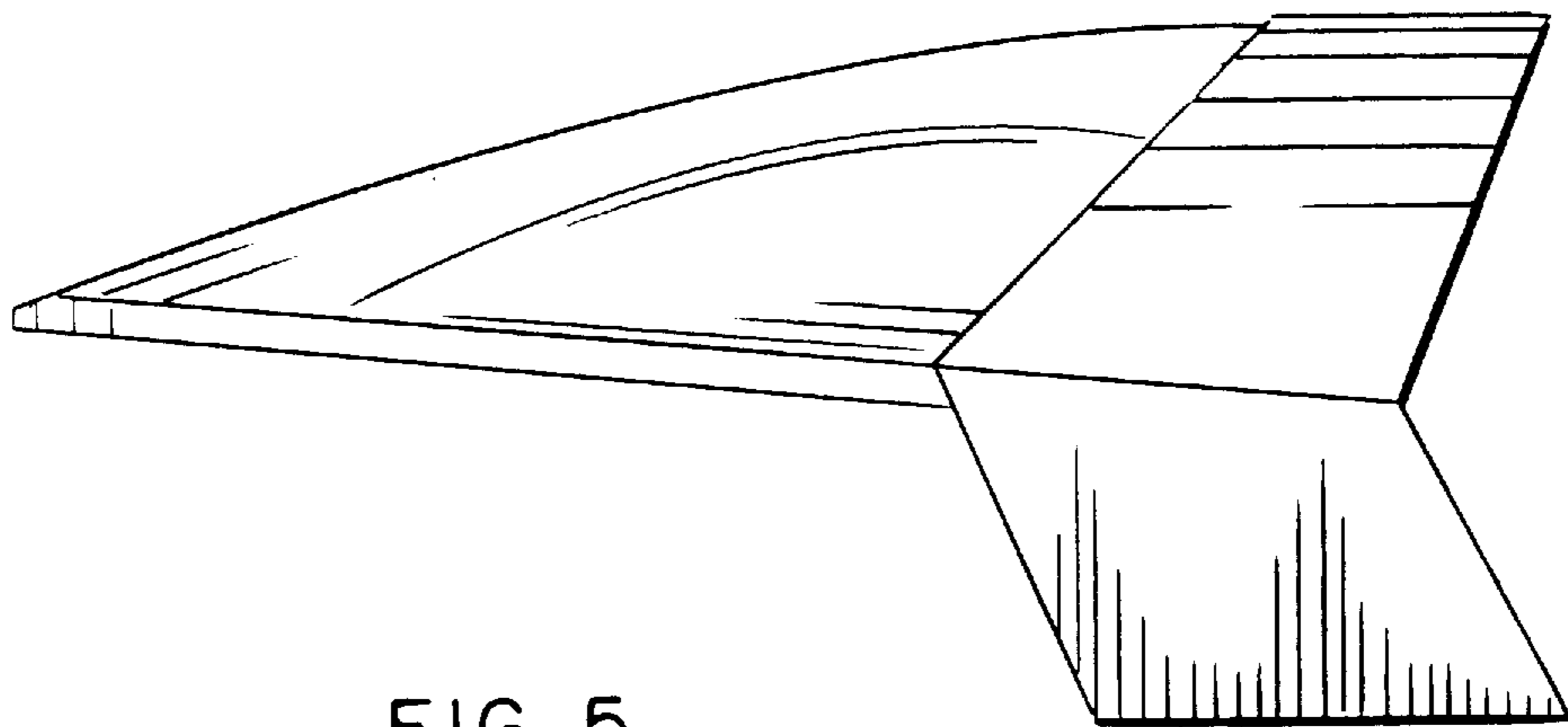


FIG. 5

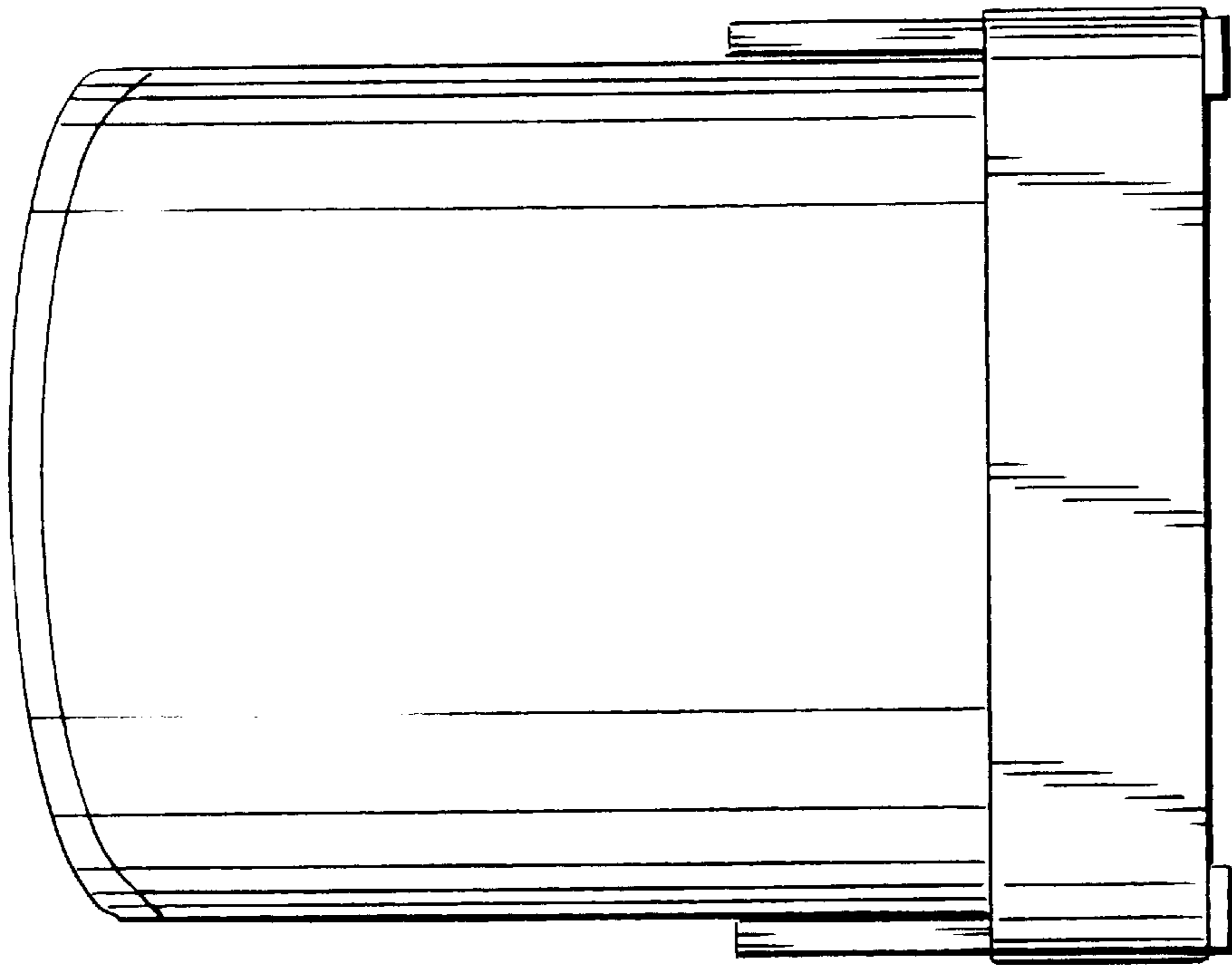


FIG. 6

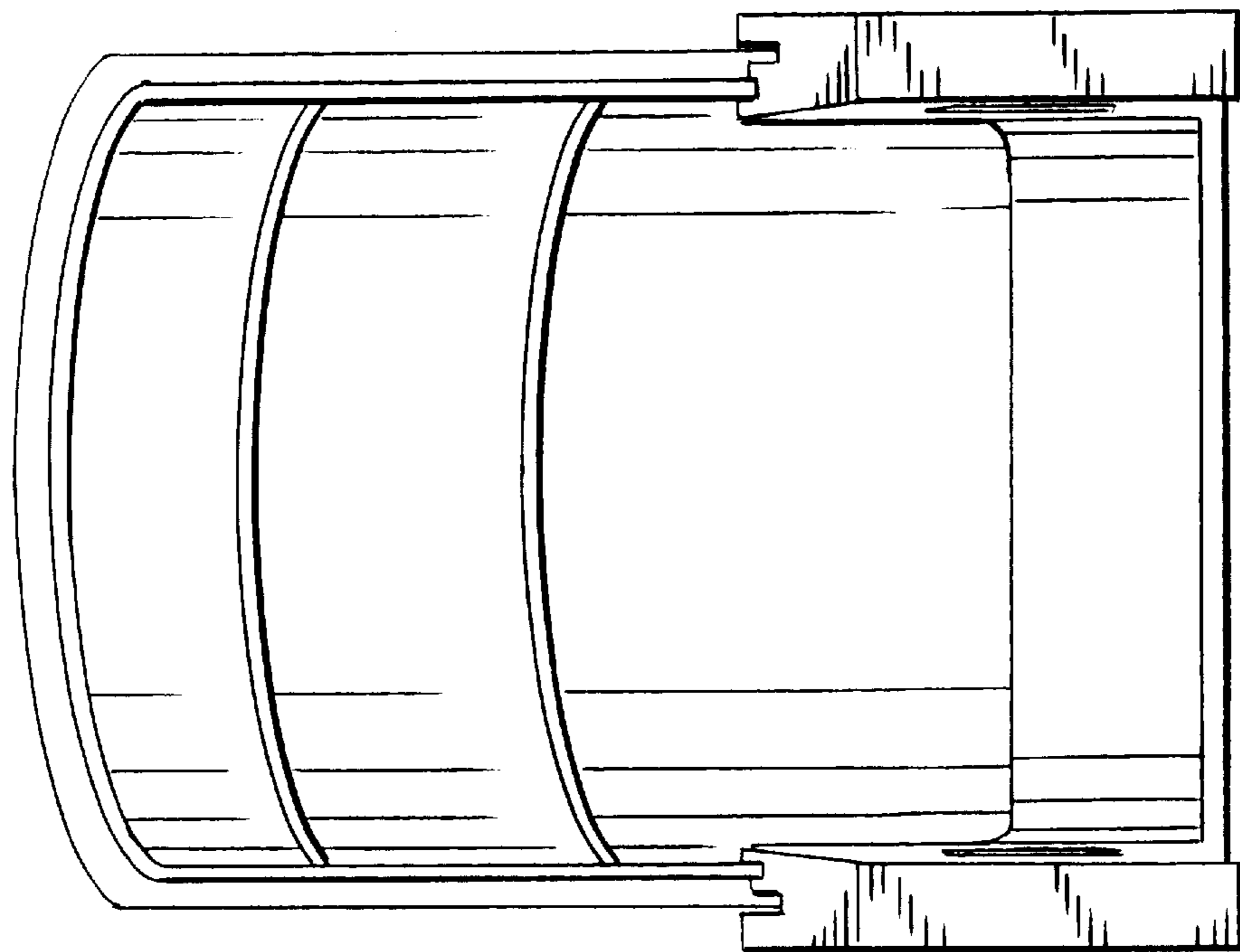


FIG. 7

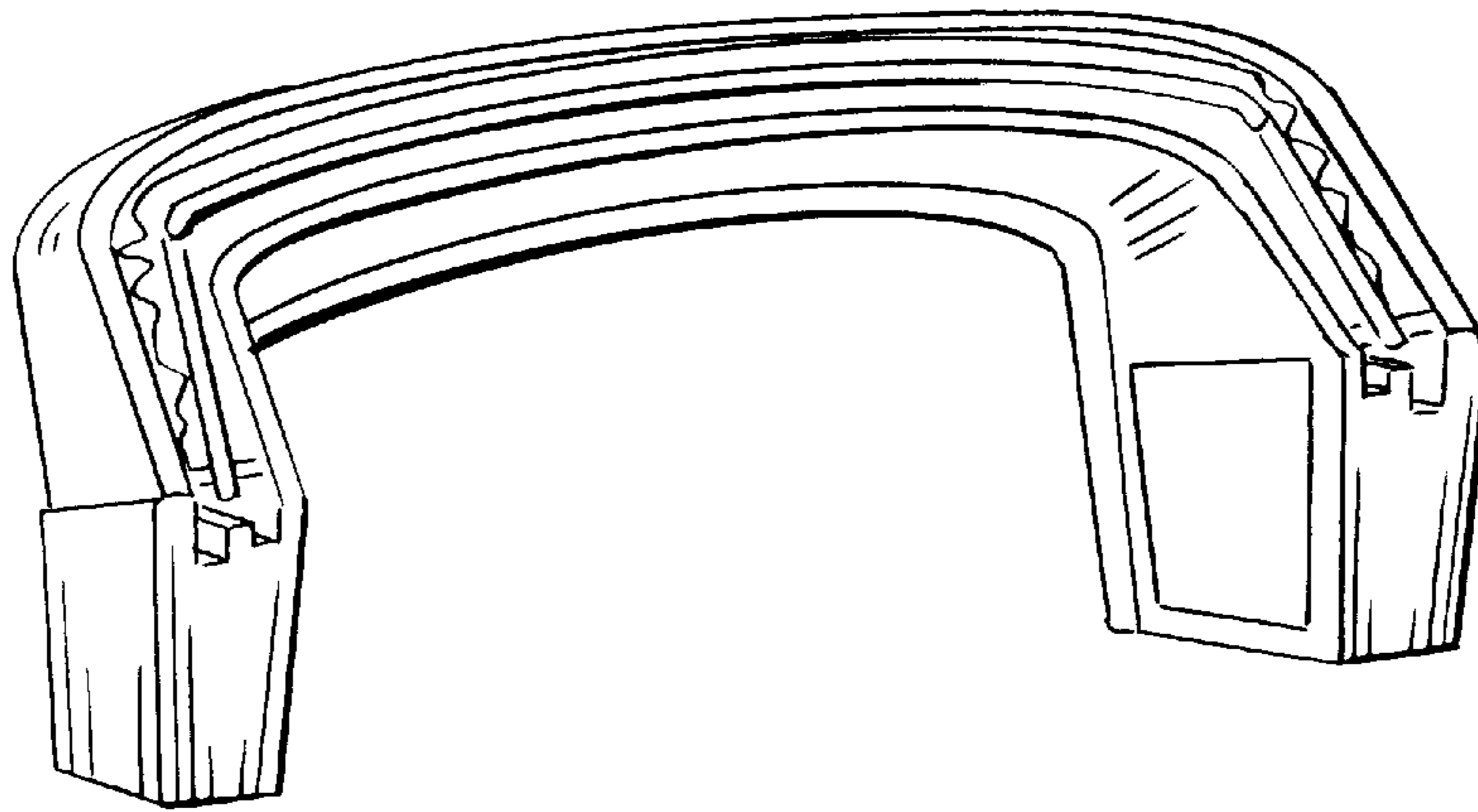


FIG. 8