



US00D407681S

United States Patent [19]

Sacco et al.

[11] Patent Number: **Des. 407,681**

[45] Date of Patent: ****Apr. 6, 1999**

[54] **FRONT SURFACE CONFIGURATION FOR A VEHICLE WHEEL**

[75] Inventors: **Bruno Sacco**, Sindelfingen; **Peter Pfeiffer**, Boeblingen, both of Germany

[73] Assignee: **Daimler-Benz Aktiengesellschaft**, Stuttgart, Germany

[**] Term: **14 Years**

[21] Appl. No.: **84,284**

[22] Filed: **Feb. 27, 1998**

[30] **Foreign Application Priority Data**

Aug. 27, 1997 [DE] Germany M 97 07 821.2

[51] **LOC (6) Cl.** **12-16**

[52] **U.S. Cl.** **D12/209**

[58] **Field of Search** D12/204-213;
301/64.1, 65, 37.1

[56] **References Cited**

U.S. PATENT DOCUMENTS

D. 84,319 6/1931 Beutke et al. D12/209

D. 84,322 6/1931 Beutke et al. D12/209
D. 337,563 7/1993 Boselli D12/209
D. 373,562 9/1996 Cole D12/211
D. 376,572 12/1996 Pfeiffer D12/209
D. 388,047 12/1997 Pfeiffer et al. D12/211
D. 391,216 2/1998 Bollman D12/209

Primary Examiner—James Gandy
Assistant Examiner—Stacia Sinuik
Attorney, Agent, or Firm—Evenson, McKeown, Edwards & Lenahan, PLLC

[57] **CLAIM**

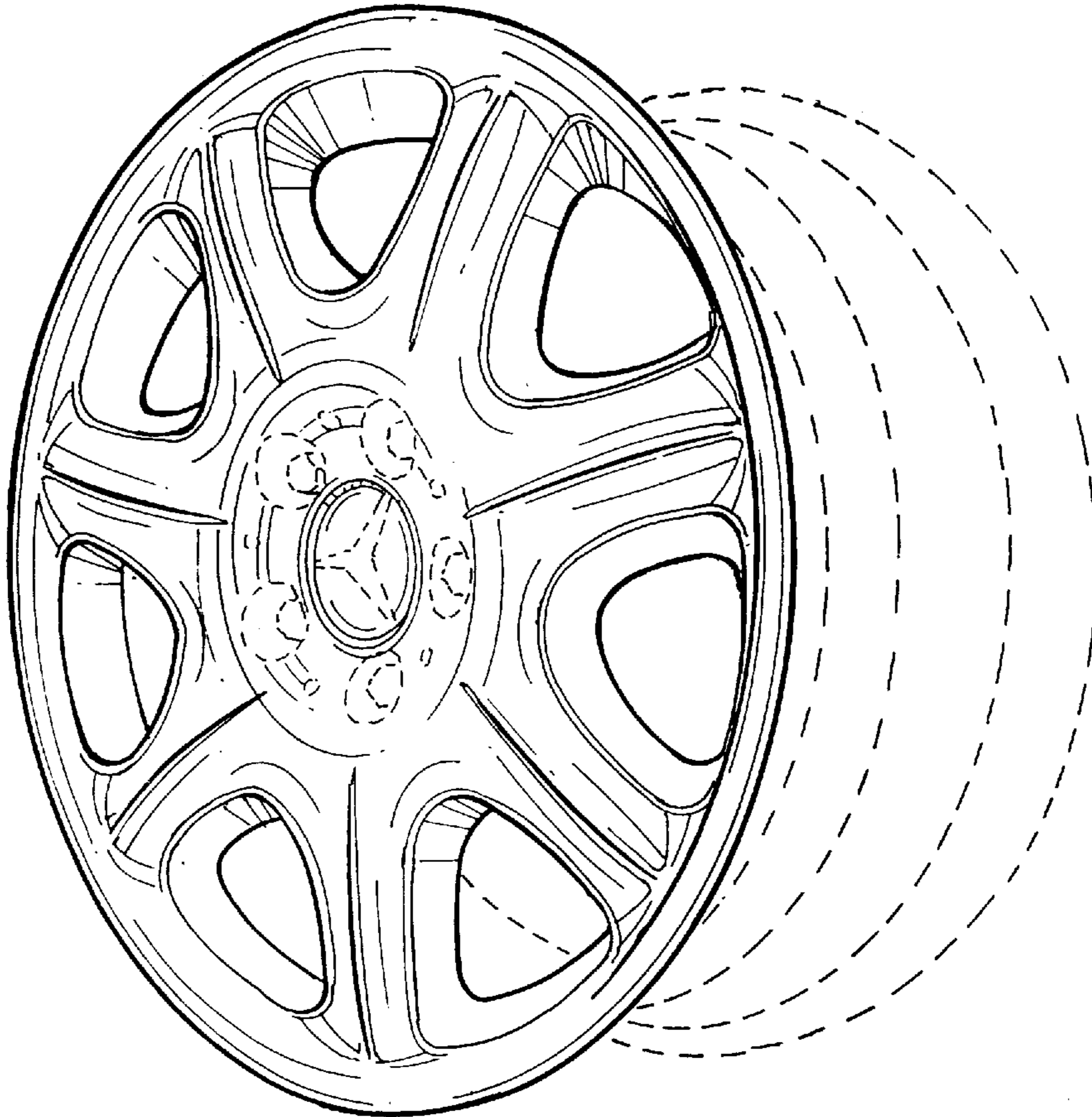
The ornamental design for a front surface configuration for a vehicle wheel, as shown and described.

DESCRIPTION

FIG. 1 is a front view of a front surface configuration for vehicle wheel according to our novel design; and, FIG. 2 is a perspective view from the front side of a front surface configuration for vehicle wheel according to our novel design.

The dash line showing depicts environment and is not part of the claimed design.

1 Claim, 1 Drawing Sheet



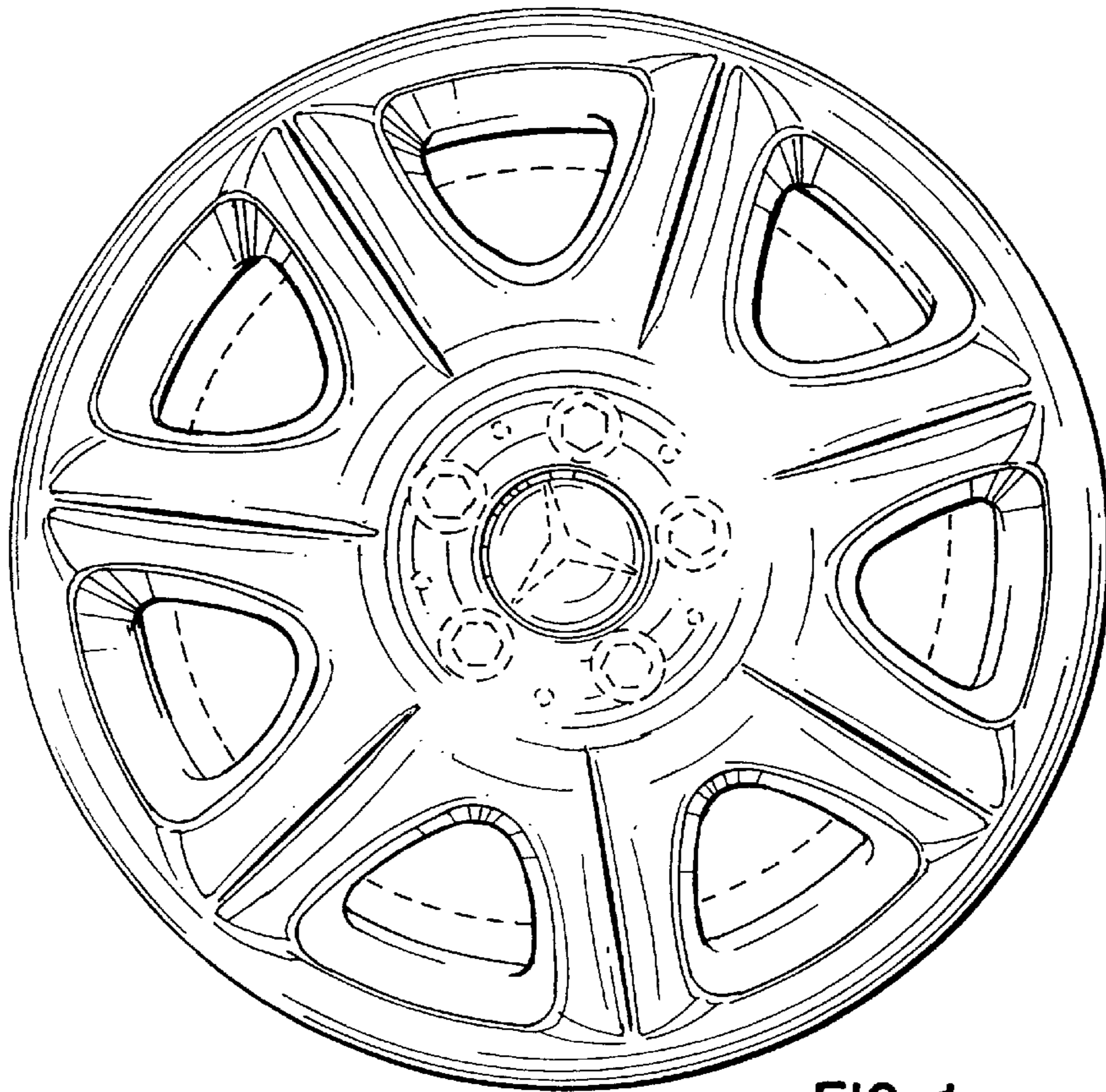


FIG. 1

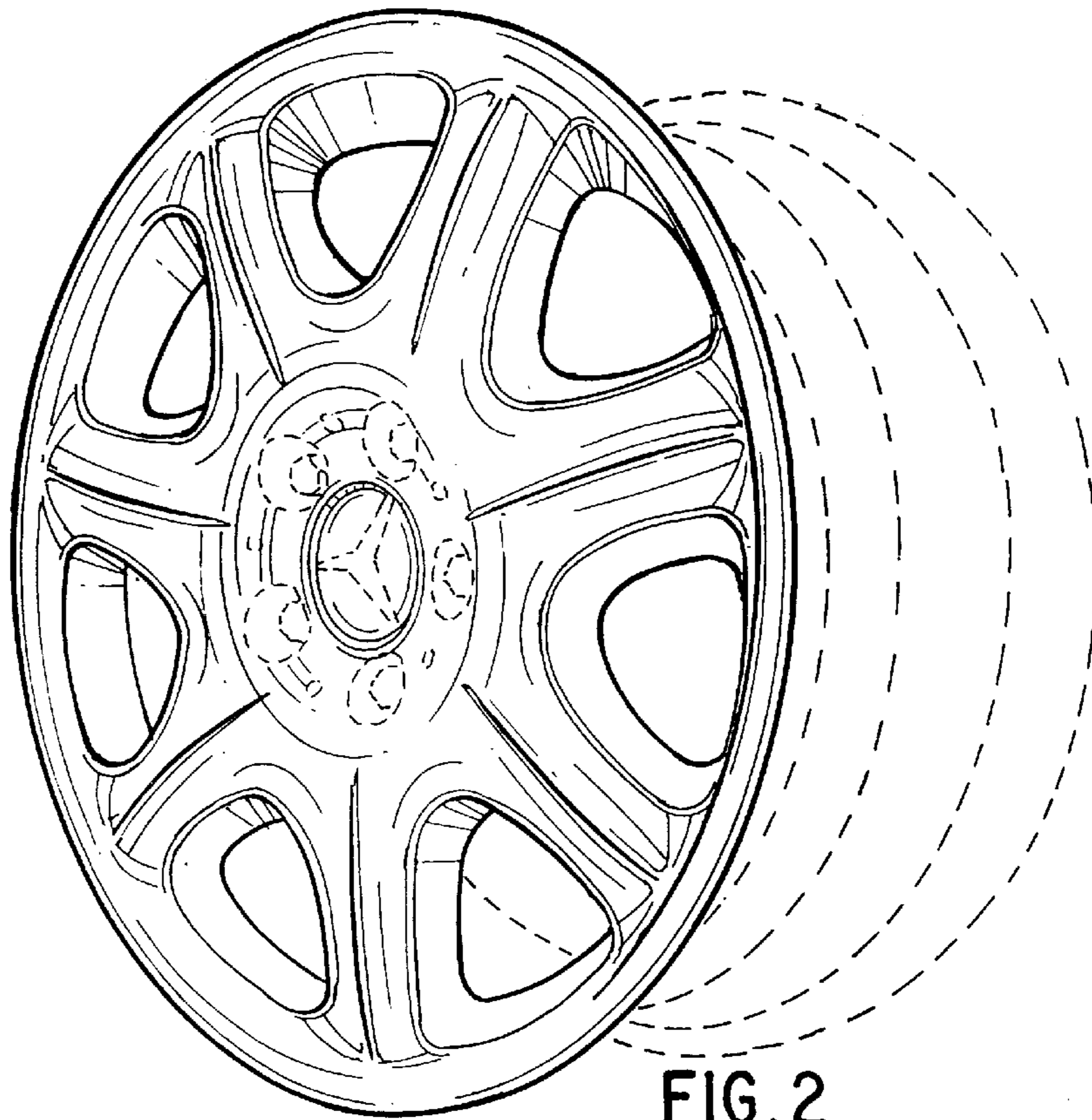


FIG. 2