



US00D407679S

United States Patent [19]

Weber et al.

[11] Patent Number: Des. 407,679

[45] Date of Patent: **Apr. 6, 1999

[54] TIRE TREAD

[75] Inventors: Michael Joseph Weber, Mogadore;
Samuel Patrick Landers, Uniontown,
both of Ohio

[73] Assignee: The Goodyear Tire & Rubber
Company, Akron, Ohio

[**] Term: 14 Years

[21] Appl. No.: 89,496

[22] Filed: Jun. 16, 1998

[51] LOC (6) Cl. 12-15

[52] U.S. Cl. D12/147

[58] Field of Search D12/136-138,
D12/140, 142-151; 152/209 R, 209 A,
209 D

[56] References Cited

U.S. PATENT DOCUMENTS

D. 316,239	4/1991	Tsuda et al.	D12/145
D. 320,371	10/1991	Morubayashi	D12/147
D. 339,777	9/1993	Tsuda et al.	D12/147
D. 340,889	11/1993	Himuro et al.	D12/147
D. 349,671	8/1994	Seimiya et al.	D12/147
D. 349,672	8/1994	Seimiya et al.	D12/147
D. 349,673	8/1994	Seimiya et al.	D12/147
D. 349,674	8/1994	Seimiya et al.	D12/147
D. 350,095	8/1994	Anderson et al.	D12/147
D. 364,594	11/1995	Krupa et al.	D12/147
D. 365,052	12/1995	Lash et al.	D12/146
D. 376,778	12/1996	Hashimoto et al.	D12/147
D. 376,999	12/1996	Hashimoto et al.	D12/147
D. 377,330	1/1997	Kakegawa et al.	D12/147
D. 380,712	7/1997	Ochi et al.	D12/147
D. 381,605	7/1997	Dellagrotte	D12/147
D. 382,236	8/1997	Kakegawa et al.	D12/147
D. 383,101	9/1997	Aikawa et al.	D12/147
D. 384,311	9/1997	Maruyama et al.	D12/147
D. 384,606	10/1997	McKisson	D12/146
D. 384,616	10/1997	Yukawa	D12/147

D. 390,515	2/1998	Godsey et al.	D12/147
D. 390,517	2/1998	Guspodin et al.	D12/147
4,815,512	3/1989	Gerresheim et al.	152/209 R
5,200,008	4/1993	Enterline et al.	156/110.1
5,209,793	5/1993	Cusimano, II	152/209 R
5,269,357	12/1993	Killian	152/209 R
5,287,905	2/1994	Caretta et al.	152/209 R
5,439,040	8/1995	Iwamura et al.	152/209 R
5,616,194	4/1997	Lim et al.	152/209 R
5,753,058	5/1998	Fukumoto et al.	152/209 R
5,769,990	6/1998	Hofmeister	156/110.1

OTHER PUBLICATIONS

Seiberling Falcon Sport Radial Tire, 1995 Tread Design Guide, p. 62, Jan. 1995.
 Ultra-Tech Radial GT Tire, 1995 Tread Design Guide, p. 71, Jan. 1995.
 Goodyear Workhorse Radial Tire, 1995 Tread Design Guide, p. 95, Jan. 1995.
 Co-Op Pacemark SR Tire, 1996 Tread Design Guide, p. 17, Feb. 1996.
 Pos-A-Traction miramas SPR Tire, 1996 Tread Design Guide, p. 59, Feb. 1996.

Primary Examiner—Robert M. Spear
 Attorney, Agent, or Firm—T P Lewandowski

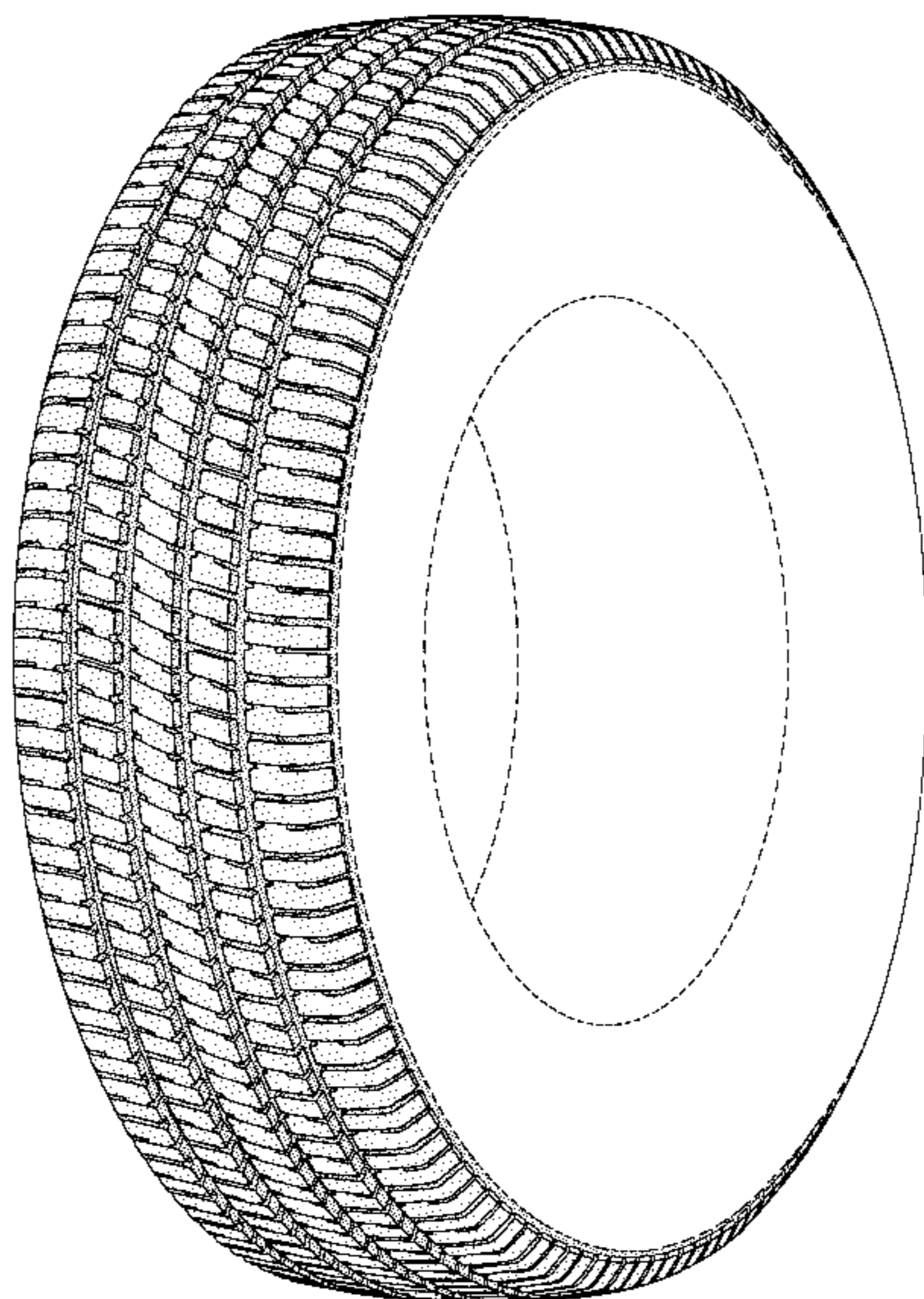
[57] CLAIM

The ornamental design for a tire tread, as shown and described.

DESCRIPTION

FIG. 1 is a perspective view of a tire tread showing our new design, it being understood that the pattern repeats uniformly throughout the circumference of the tread;
 FIG. 2 is a front elevational view thereof;
 FIG. 3 is a side elevational view thereof, the opposite side elevational view being identical thereto; and,
 FIG. 4 is an enlarged fragmentary front perspective view.
 In the drawings, the broken lines defining the inner bead sidewall and the peripheral boundary between the tire tread and the sidewall are for illustrative purposes only and form no part of the claimed design.

1 Claim, 4 Drawing Sheets



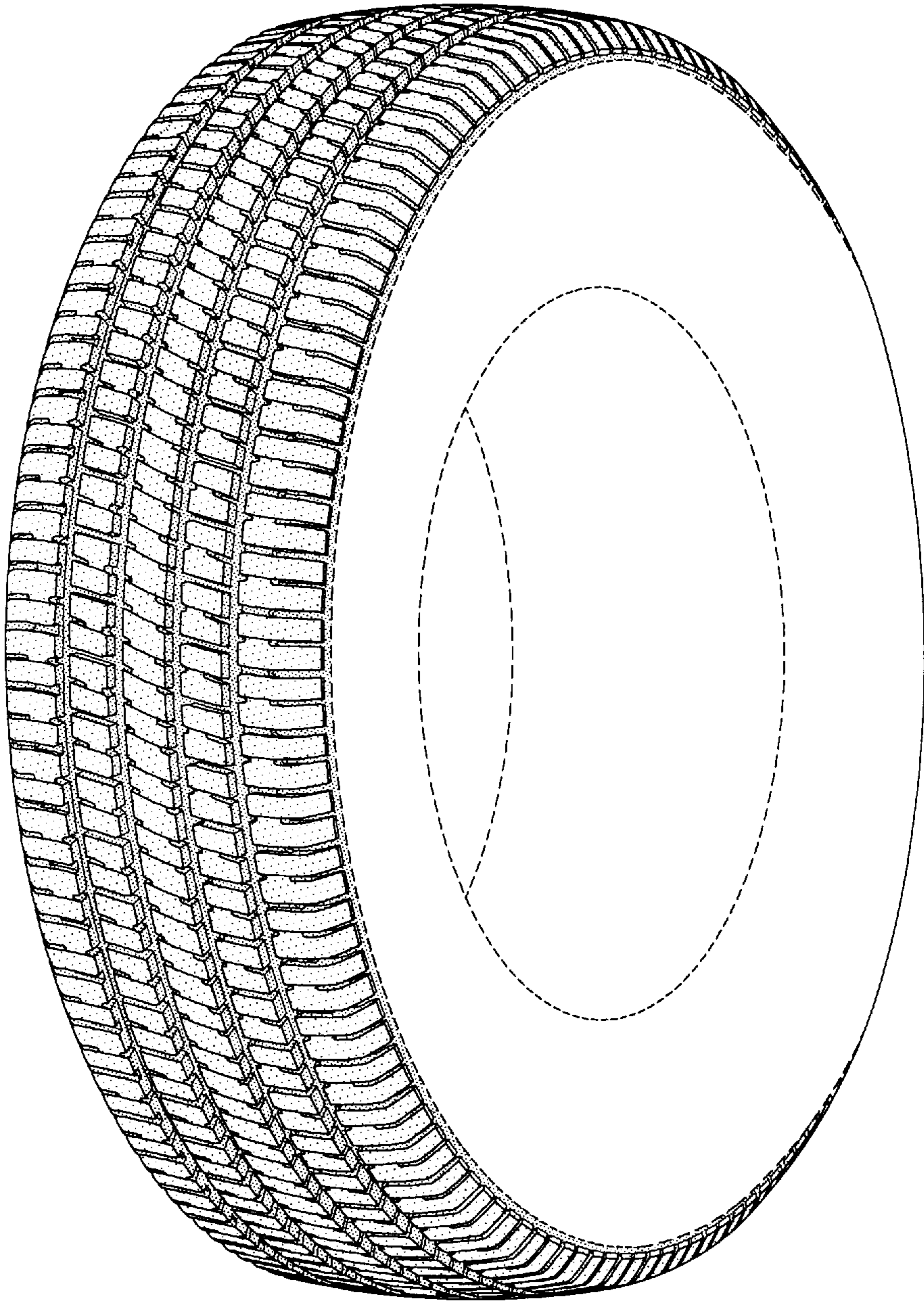


FIG-1

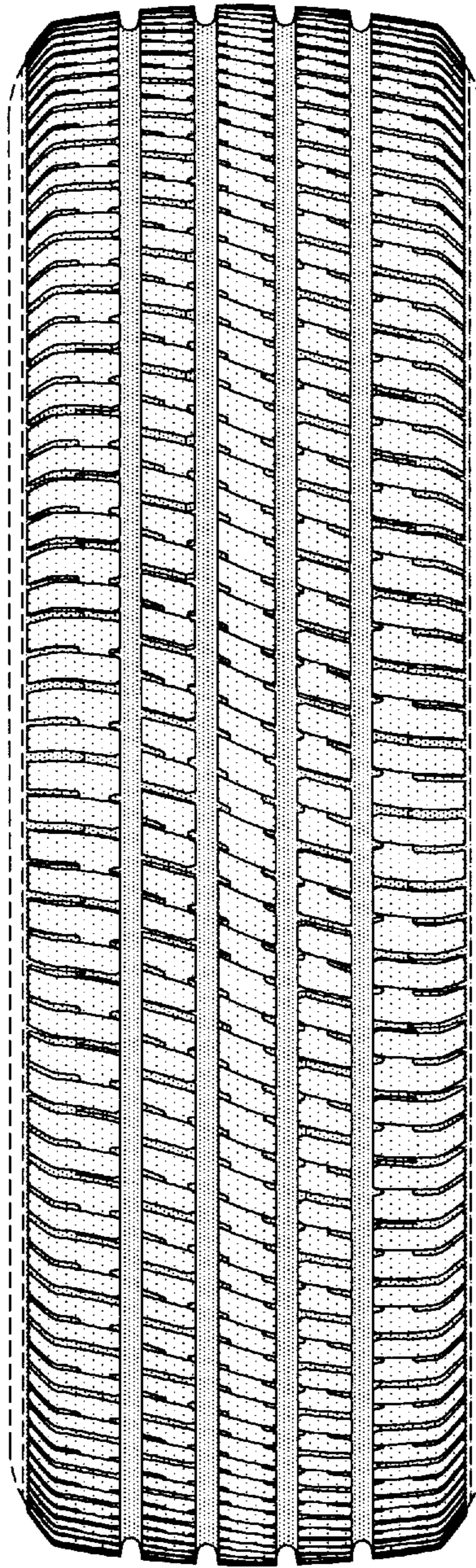


FIG-2

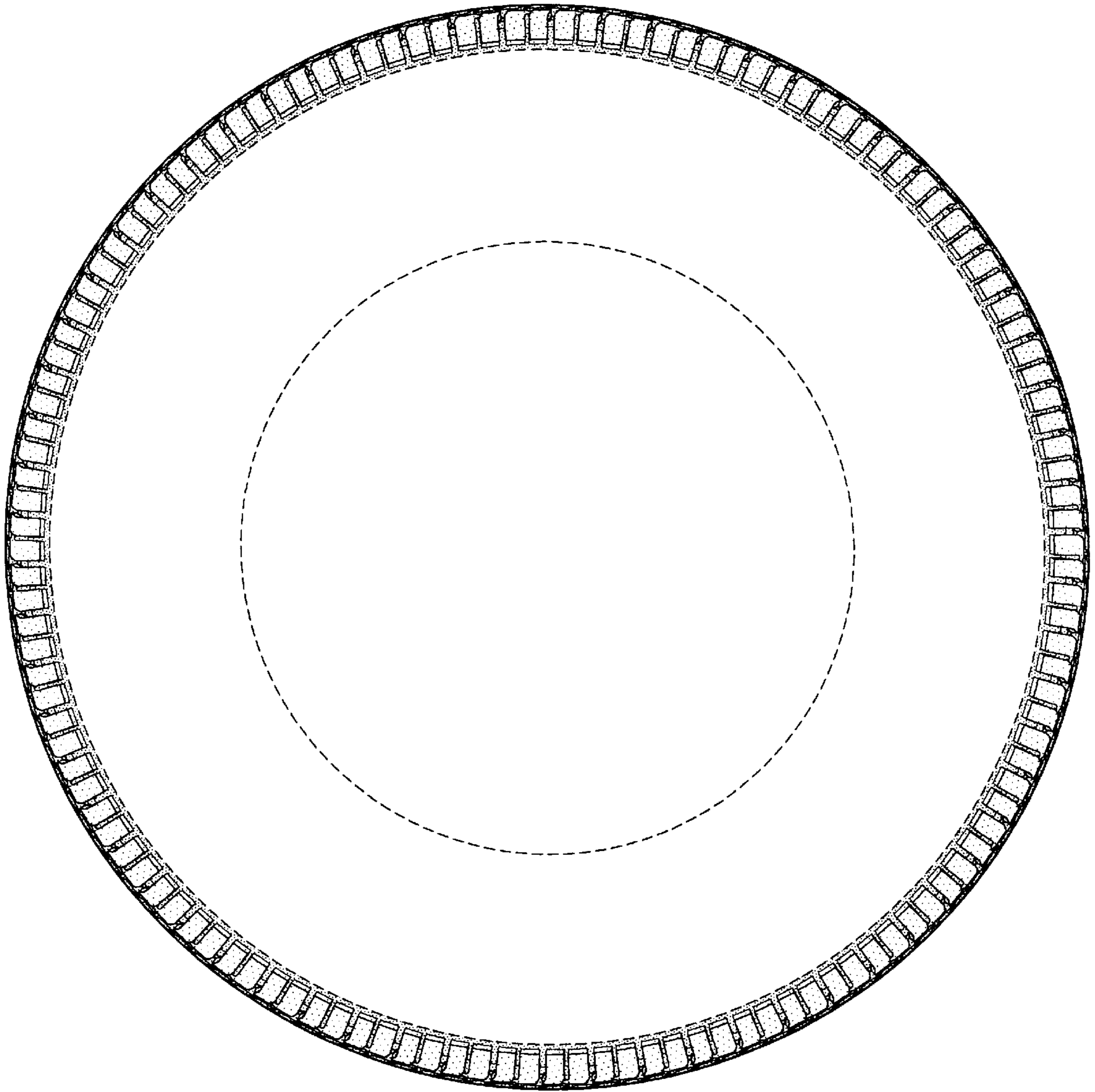


FIG-3

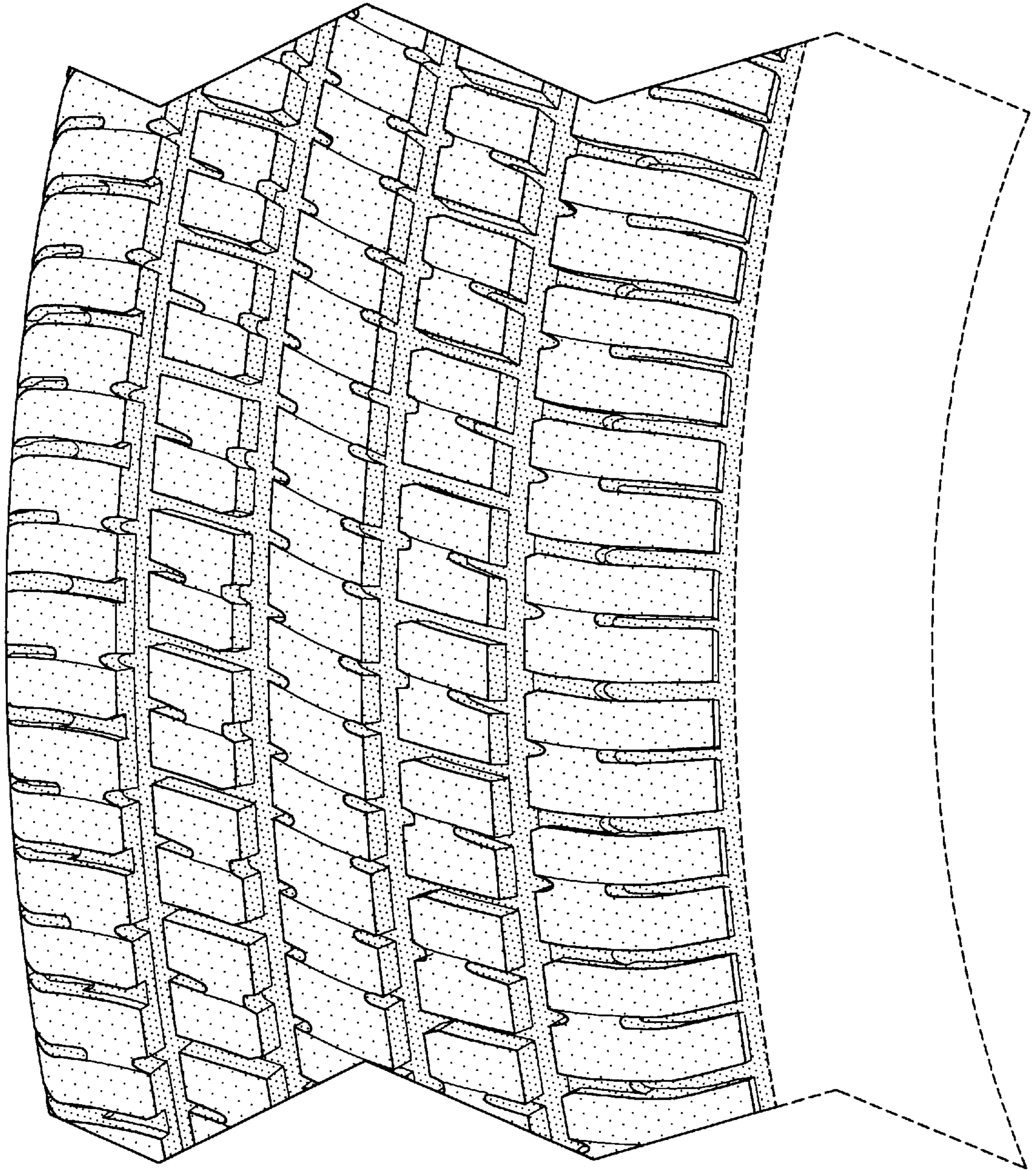


FIG-4