



US00D407678S

United States Patent [19]

Dixon et al.

[11] Patent Number: **Des. 407,678**

[45] Date of Patent: ****Apr. 6, 1999**

[54] **TIRE TREAD**

[75] Inventors: **Max Harold Dixon**, Bedford, Pa.;
Samuel Eubanks Reckley, La Vale;
Joseph Henry Laco, Cresaptown, both
of Md.; **Keith Eric Grabo**, Brecksville;
William Eugene Glover, Akron, both
of Ohio

[73] Assignee: **The Goodyear Tire & Rubber
Company**, Akron, Ohio

[**] Term: **14 Years**

[21] Appl. No.: **88,301**

[22] Filed: **May 20, 1998**

Related U.S. Application Data

[62] Division of Ser. No. 075,822, Aug. 26, 1997.

[51] **LOC (6) Cl.** **12-15**

[52] **U.S. Cl.** **D12/147**

[58] **Field of Search** D12/136-138,
D12/140, 142-151; 152/209 R, 209 A,
209 D

[56] References Cited

U.S. PATENT DOCUMENTS

- D. 294,339 2/1988 Brayer D12/146
- D. 308,659 6/1990 Brayer D12/146
- D. 320,772 10/1991 Hasegawa D12/147
- D. 320,969 10/1991 Kobayashi et al. D12/147
- D. 346,774 5/1994 Brayer et al. D12/147

- D. 347,814 6/1994 Brayer D12/147
- D. 354,034 1/1995 McKisson D12/147
- D. 384,615 10/1997 Lim et al. D12/147
- D. 386,728 11/1997 Jeong D12/147
- D. 388,374 12/1997 Lim et al. D12/147
- D. 390,512 2/1998 Eromaki D12/147
- D. 390,513 2/1998 Guspodin et al. D12/147
- D. 390,516 2/1998 Lissan et al. D12/147
- D. 391,204 2/1998 Harpes et al. D12/147
- D. 391,208 2/1998 Guspodin et al. D12/147
- 4,702,292 10/1987 Baayer 152/209 R

FOREIGN PATENT DOCUMENTS

M 92 09 102 8/1994 Germany .

Primary Examiner—Robert M. Spear
Attorney, Agent, or Firm—T P Lewandowski

[57] CLAIM

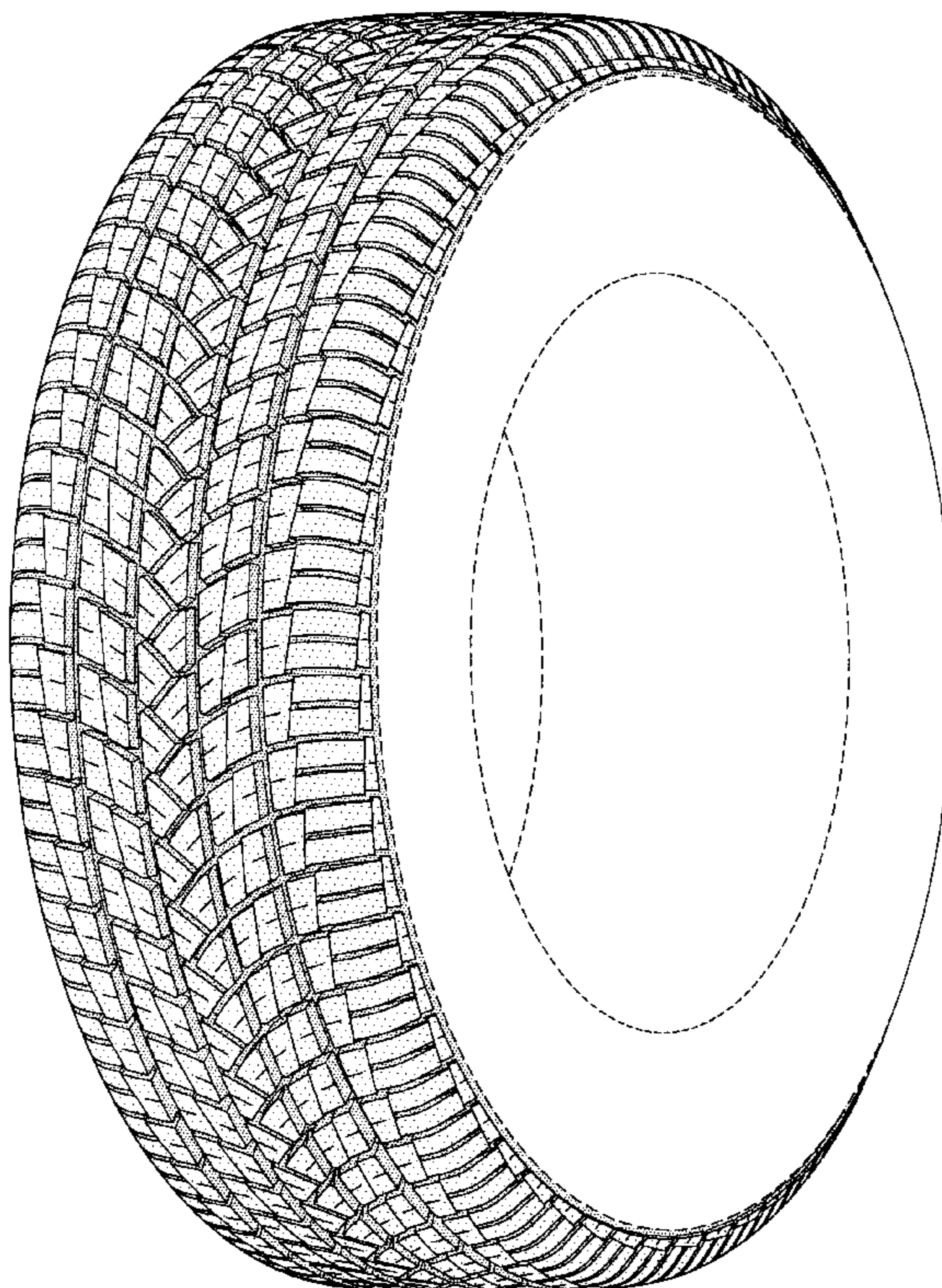
The ornamental design for a tire tread, as shown and described.

DESCRIPTION

FIG. 1 is a perspective view of a tire tread showing our new design, it being understood that the pattern repeats uniformly throughout the circumference of the tread; FIG. 2 is a front elevational view thereof; FIG. 3 is a side elevational view thereof, the opposite side elevational view being a mirror image thereof; and, FIG. 4 is an enlarged fragmentary front perspective view thereof.

In the drawings, the broken lines defining the inner bead of the sidewall and the peripheral boundary between the tire tread and the sidewall are for illustrative purposes only and form no part of the claimed design.

1 Claim, 4 Drawing Sheets



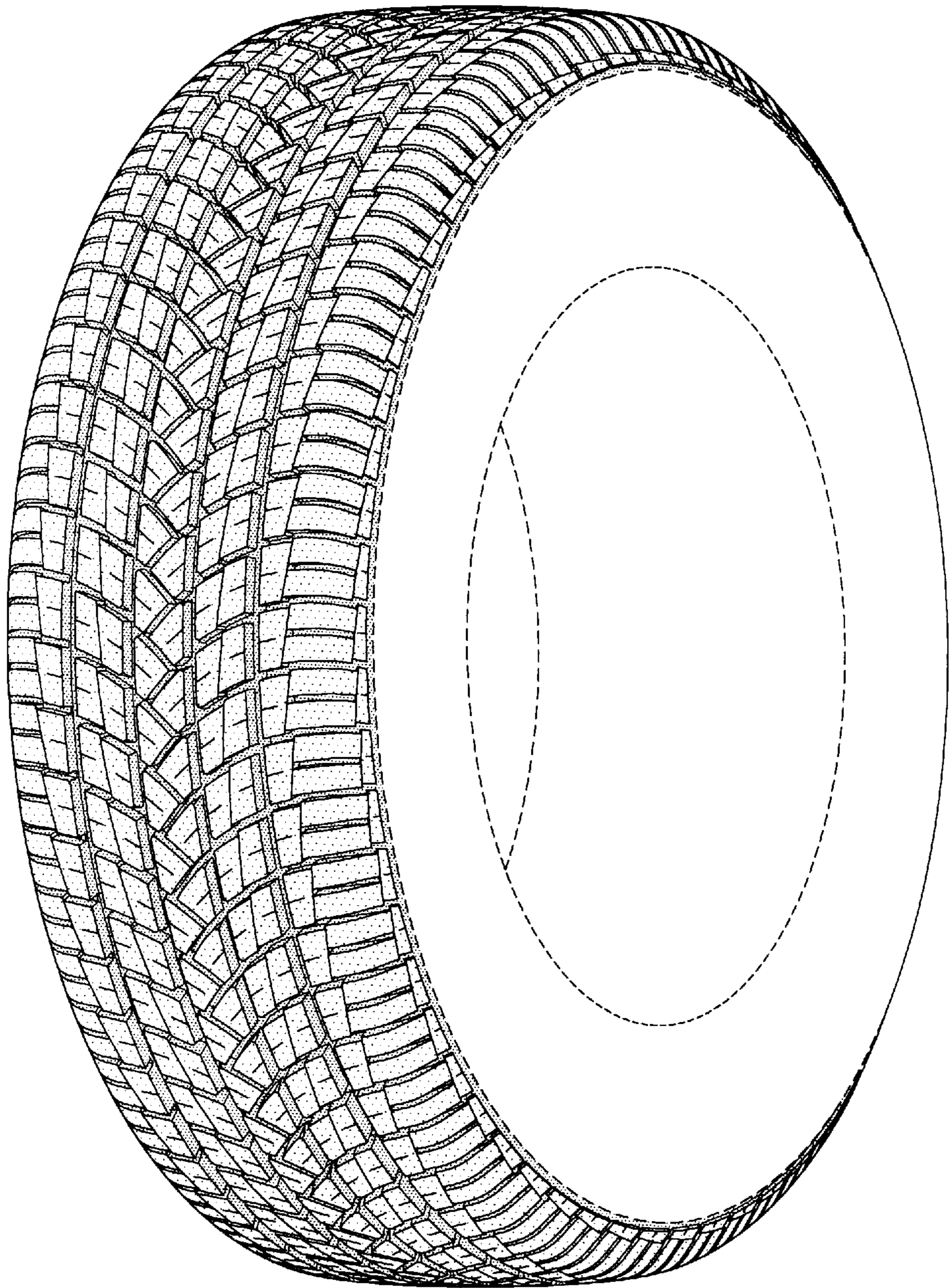


FIG-1

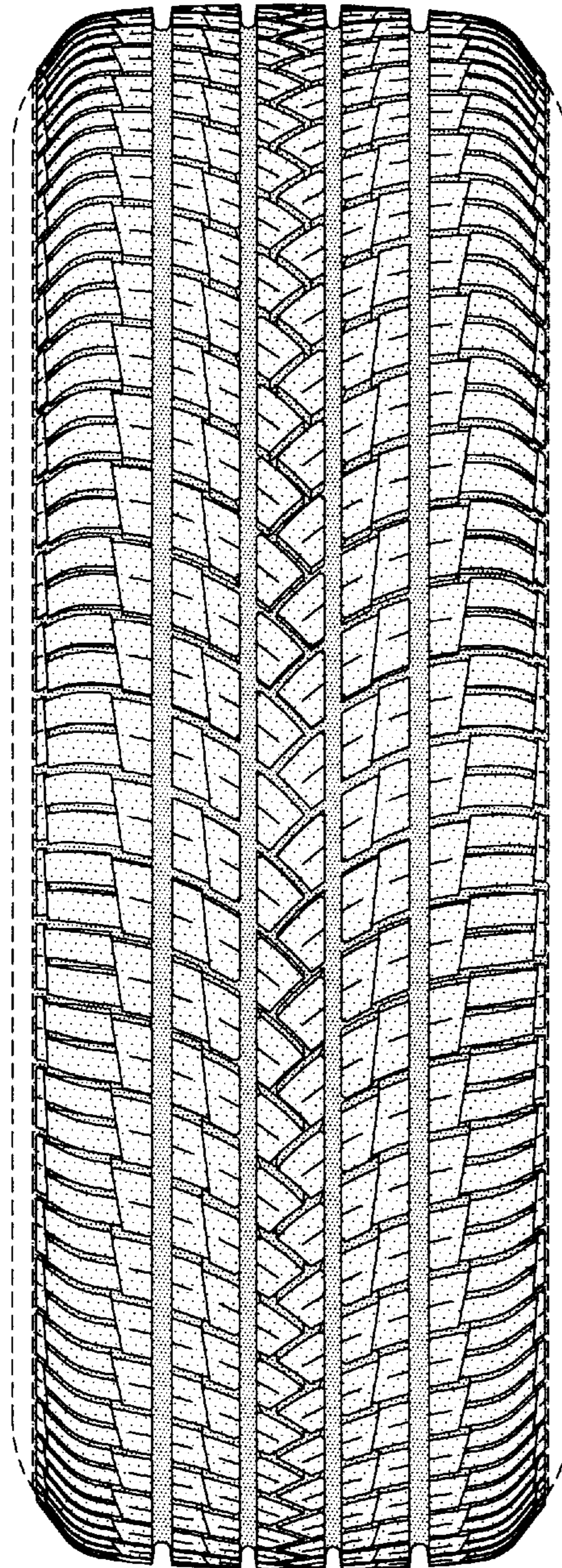


FIG-2

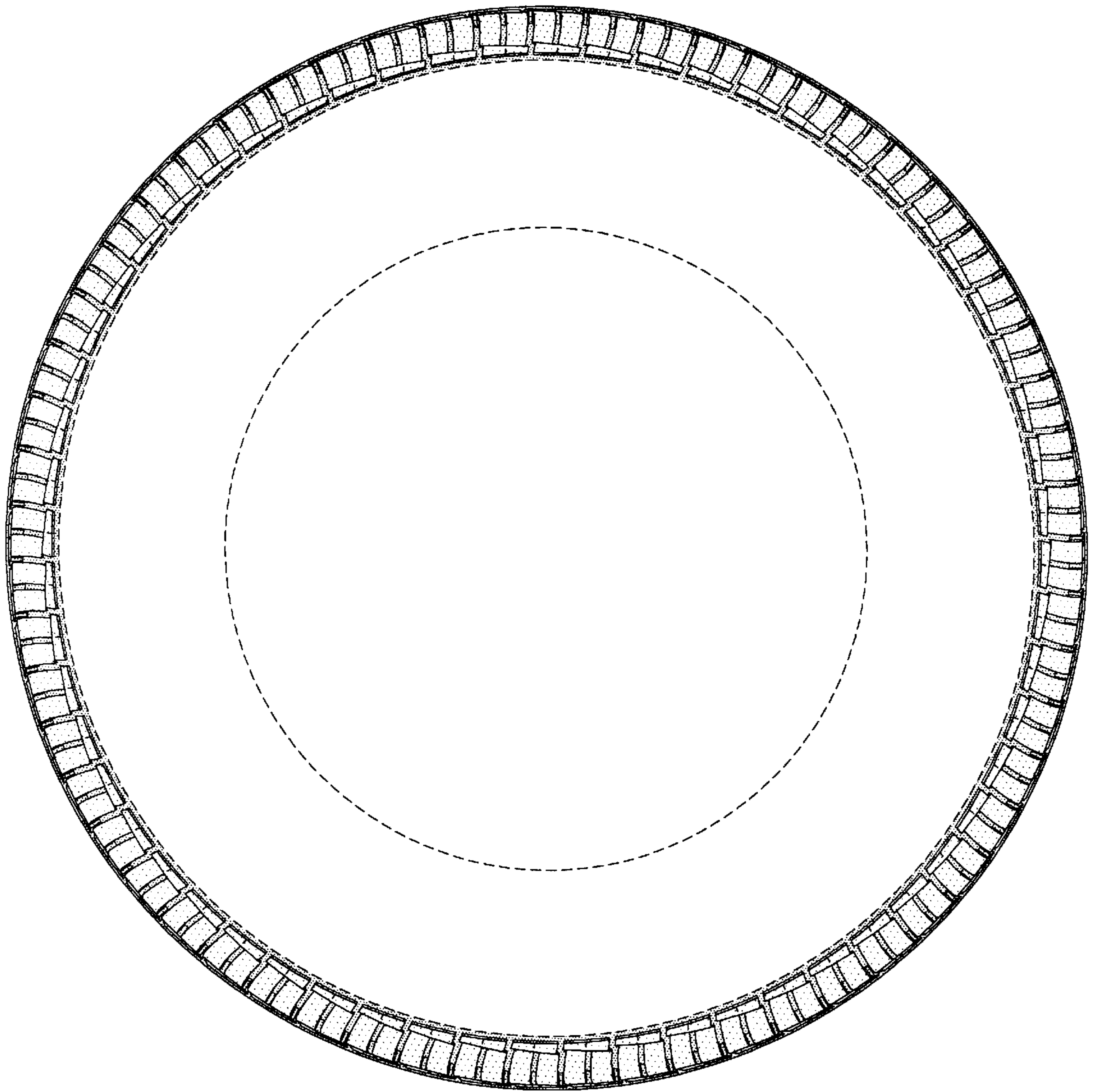


FIG-3

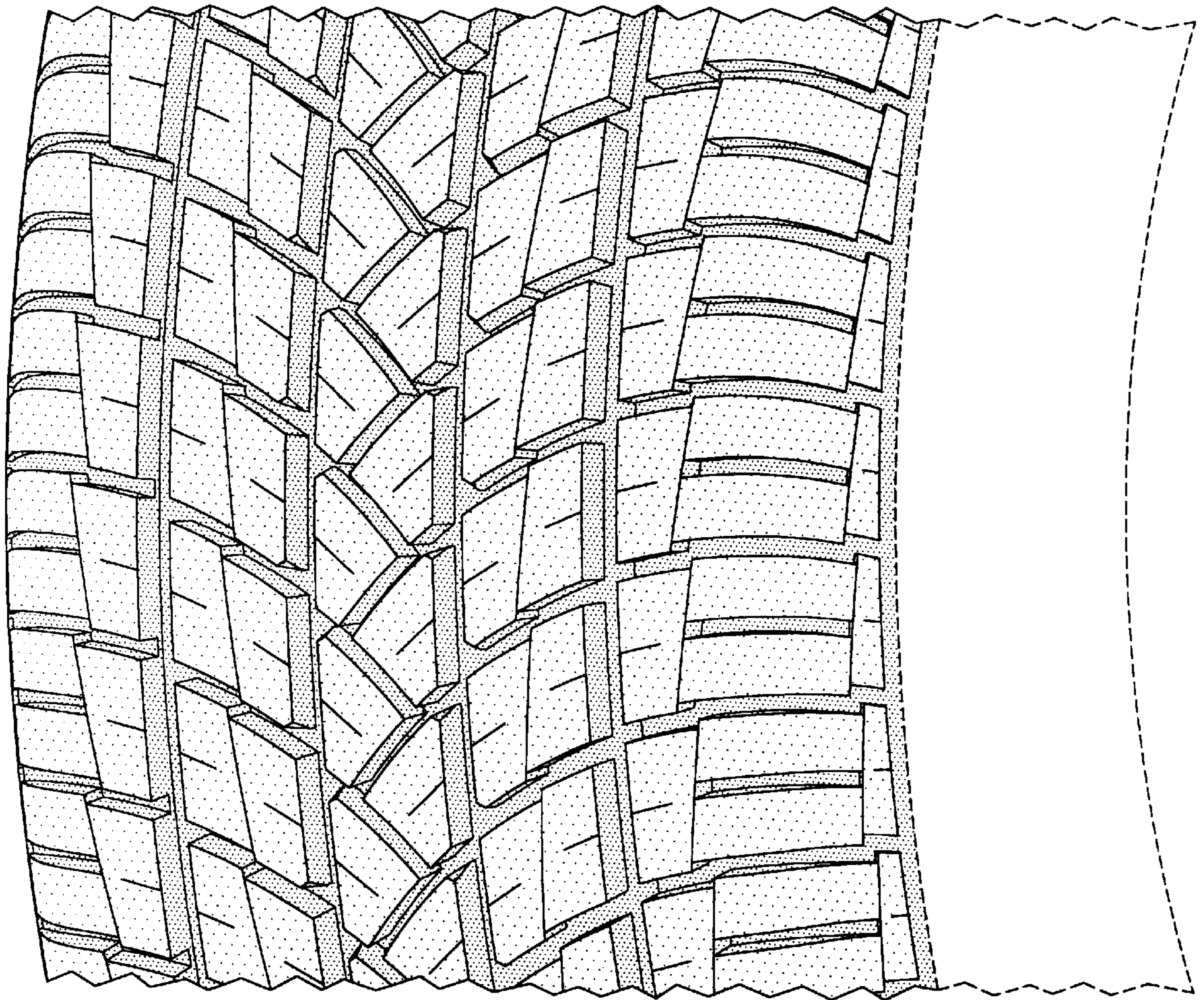


FIG-4