



US00D407676S

# United States Patent [19]

Morishita et al.

[11] Patent Number: **Des. 407,676**

[45] Date of Patent: **\*\*Apr. 6, 1999**

[54] **AUTOMOBILE TIRE**

[75] Inventors: **Hisaya Morishita; Riichiro Mama**, both of Kanagawa-ken; **Hiroshi Tokizaki**, Tokyo; **Izumi Kuramochi**, Tokyo; **Kenichi Shirai**, Tokyo, all of Japan

[73] Assignee: **The Yokohama Rubber Co., Ltd.**, Tokyo, Japan

[\*\*] Term: **14 Years**

[21] Appl. No.: **84,635**

[22] Filed: **Mar. 6, 1998**

### [30] Foreign Application Priority Data

Sep. 30, 1997 [JP] Japan ..... 9-69458

[51] **LOC (6) Cl.** ..... **12-15**

[52] **U.S. Cl.** ..... **D12/147**

[58] **Field of Search** ..... D12/136-138, D12/140, 142-151; 152/209 R, 209 A, 209 D

### [56] References Cited

#### U.S. PATENT DOCUMENTS

D. 281,485 11/1985 Motomura et al. .... D12/142

D. 378,075 2/1997 Hashimoto et al. .... D12/147  
5,643,374 7/1997 Matsumoto ..... 152/209 R  
5,785,780 7/1998 Ochi ..... 152/209 R

#### FOREIGN PATENT DOCUMENTS

M 94 04 261 10/1994 Germany .  
DM/031 076 10/1994 WIPO .

*Primary Examiner*—Robert M. Spear  
*Attorney, Agent, or Firm*—Nikaido, Marmelstein, Murray & Oram LLP

### [57] CLAIM

The ornamental design for an automobile tire, as shown and described.

### DESCRIPTION

FIG. 1 is a front view of the automobile tire, showing the new design, the top plan view and bottom plan view appearing the same as the front view, it being understood that the tread pattern repeats uniformly throughout the circumference of the tire;

FIG. 2 is a rear view of the automobile tire;

FIG. 3 is a right side view of the automobile tire;

FIG. 4 is a left side view of the automobile tire;

FIG. 5 is an enlarged fragmentary front elevational view, showing in enlargement the portion of 5—5 in FIG. 1; and,

FIG. 6 is an enlarged cross sectional view, taken on line 6—6 and in the direction of arrows of FIG. 5.

**1 Claim, 5 Drawing Sheets**

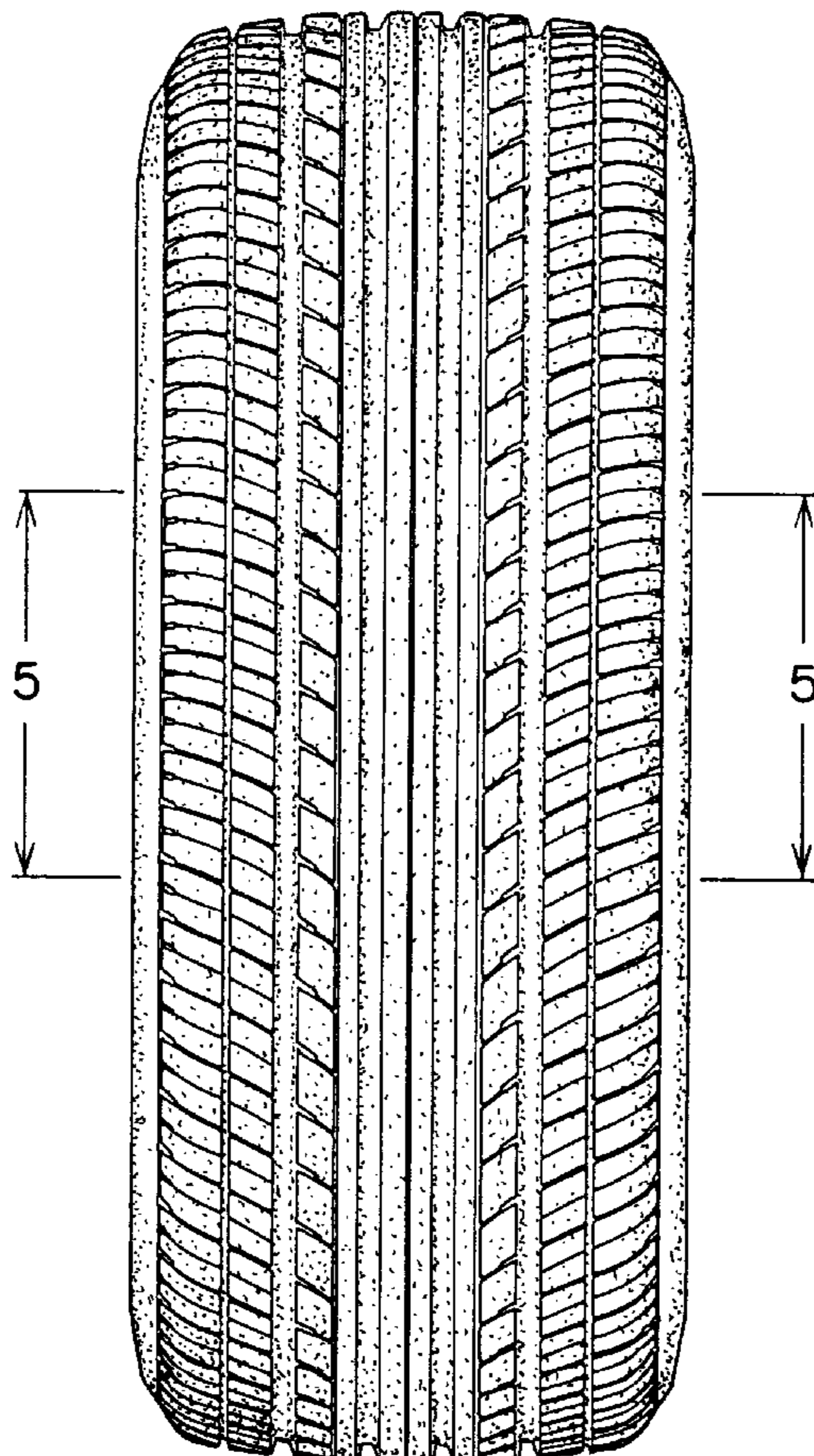


FIG. 1

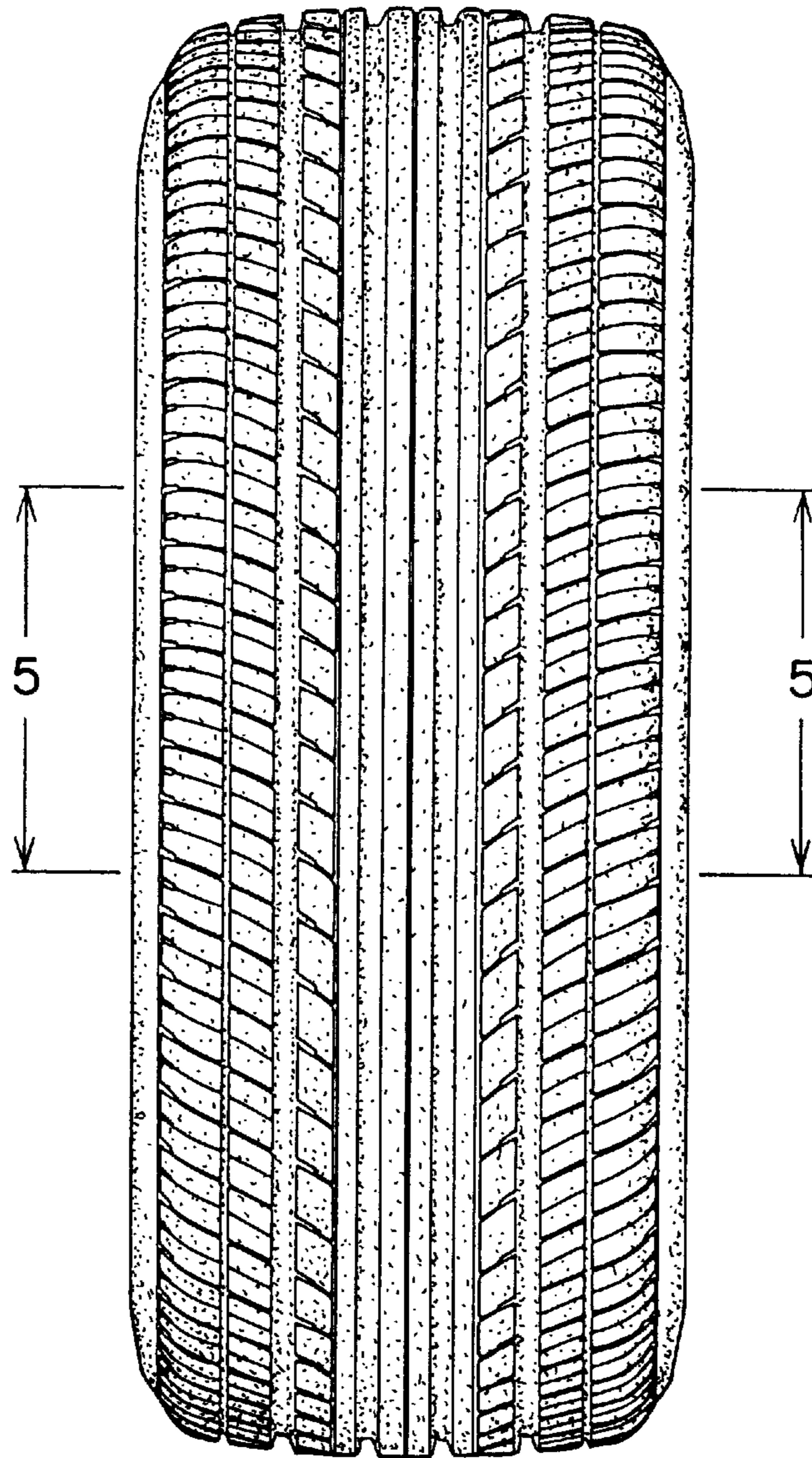


FIG. 2

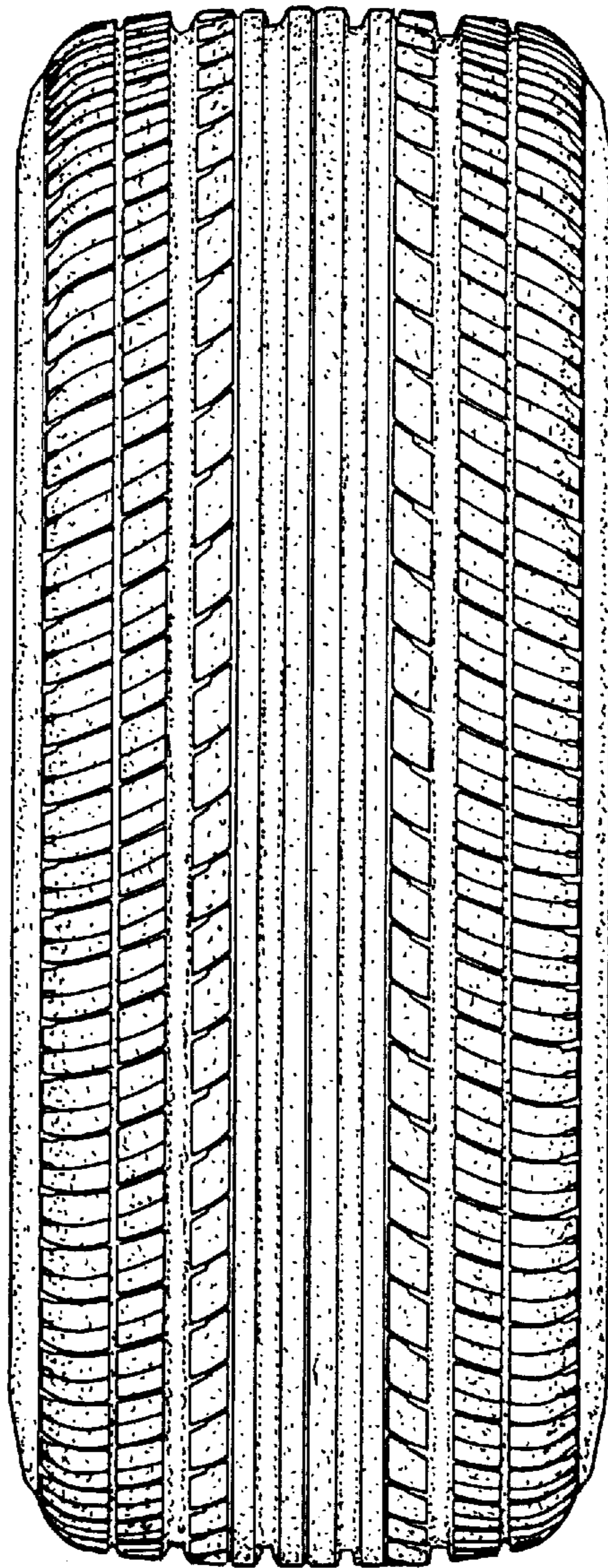




FIG. 3

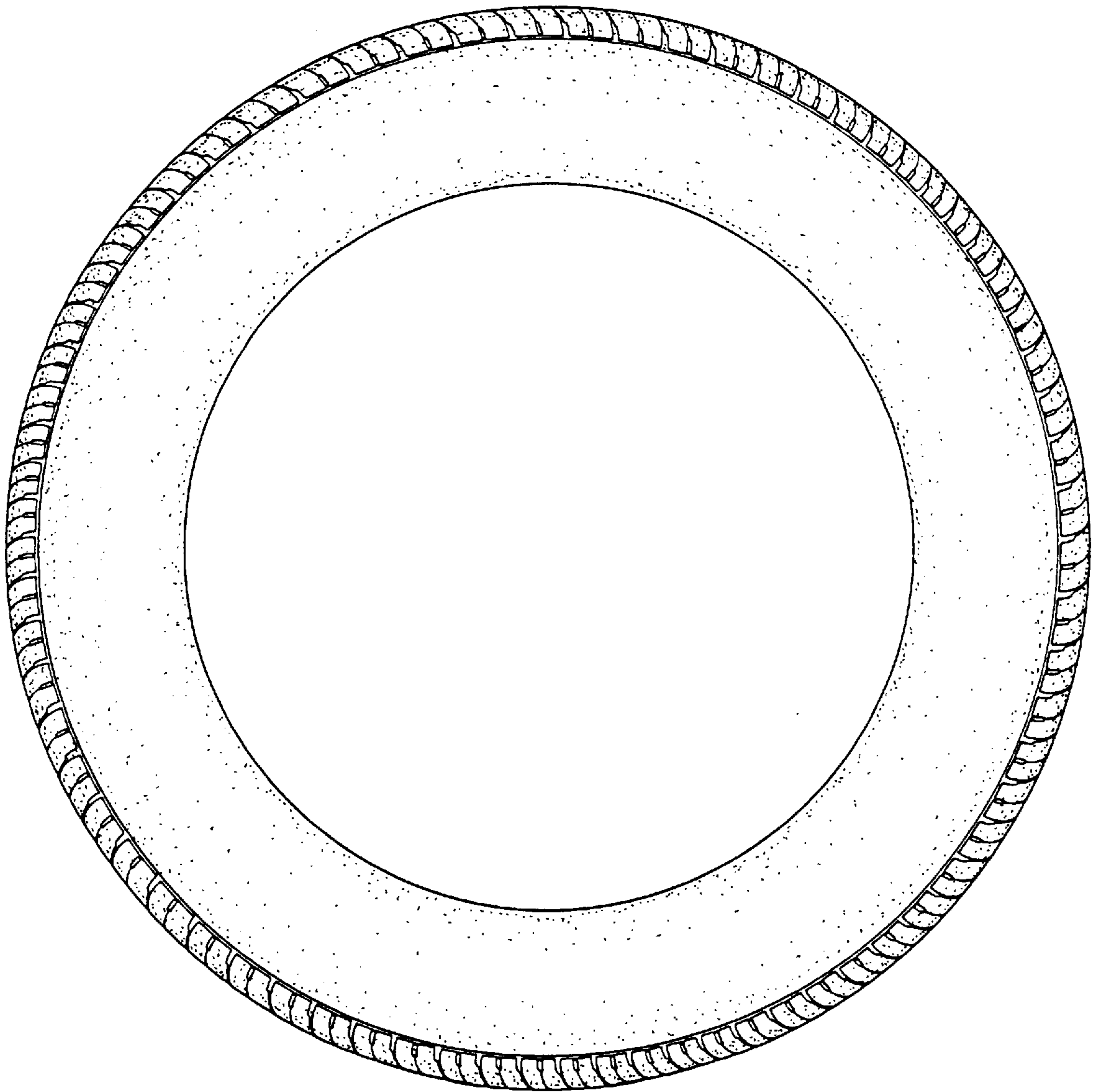


FIG. 4

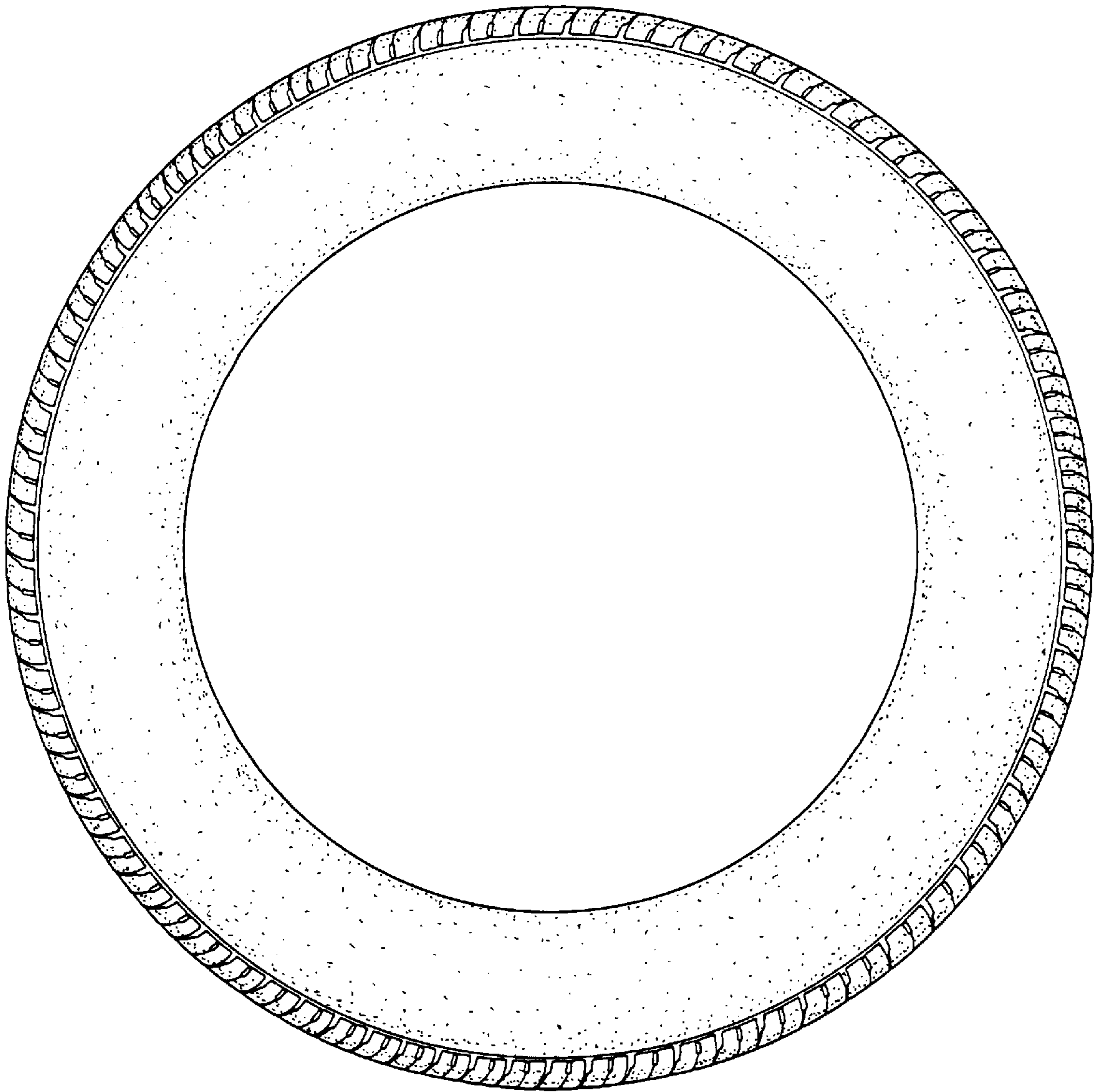


FIG. 5

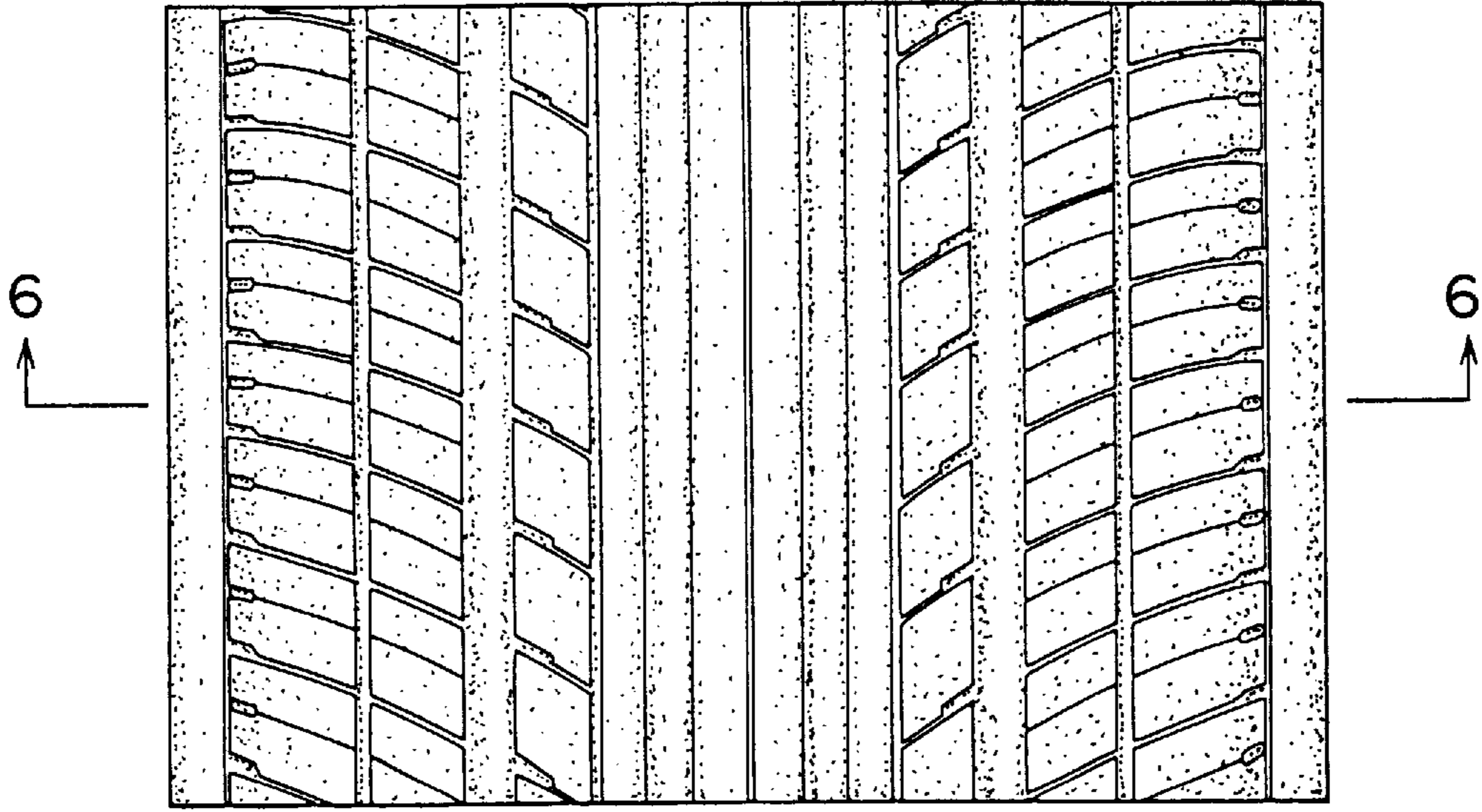


FIG. 6

