



US00D407672S

United States Patent [19]

[11] **Patent Number: Des. 407,672**

Wells

[45] **Date of Patent: **Apr. 6, 1999**

[54] **WHEELCHAIR HANDLEBAR EXTENSION APPARATUS**

[76] Inventor: **Mark L. Wells**, 11100 N. Westminster, Jones, Okla. 73049

[**] Term: **14 Years**

[21] Appl. No.: **91,311**

[22] Filed: **Jul. 27, 1998**

[51] **LOC (6) Cl.** **12-12**

[52] **U.S. Cl.** **D12/133; D34/27**

[58] **Field of Search** D12/128-133, D12/317; 280/304.1, 655.1; 16/111 A; 224/454; 74/551.8; D8/303, 300, 311, 307; D34/27

[56] **References Cited**

U.S. PATENT DOCUMENTS

D. 269,941	8/1983	Morgan	D8/303
D. 390,168	2/1998	Haut	D12/133
5,044,650	9/1991	Eberle, Jr.	280/304.1

Primary Examiner—Kay H. Chin
Attorney, Agent, or Firm—Dunlap, Coddling & Rogers, P.C.

[57] **CLAIM**

The ornamental design for a wheelchair handlebar extension apparatus, as shown and described.

DESCRIPTION

FIG. 1 is a perspective view of a wheelchair handlebar

extension apparatus showing my new design, a portion of a wheelchair being shown in phantom for illustrative purposes only;

FIG. 2 is a front elevational view thereof;

FIG. 3 is a rear elevational view thereof;

FIG. 4 is a side elevational view thereof as viewed from the left side;

FIG. 5 is a side elevational view thereof as viewed from the right side;

FIG. 6 is a top plan view thereof; and

FIG. 7 is a bottom plan view thereof;

FIG. 8 is a perspective view of a second embodiment of a wheelchair handlebar extension apparatus showing my new design;

FIG. 9 is a front elevational view thereof;

FIG. 10 is a rear elevational view thereof;

FIG. 11 is an elevational view from the left side thereof;

FIG. 12 is an elevational view from the right side thereof;

FIG. 13 is a top plan view thereof; and

FIG. 14 is a bottom plan view thereof;

FIG. 15 is a perspective view of another embodiment of a wheelchair handlebar extension apparatus showing my new design;

FIG. 16 is a front elevational view thereof;

FIG. 17 is a rear elevational view thereof;

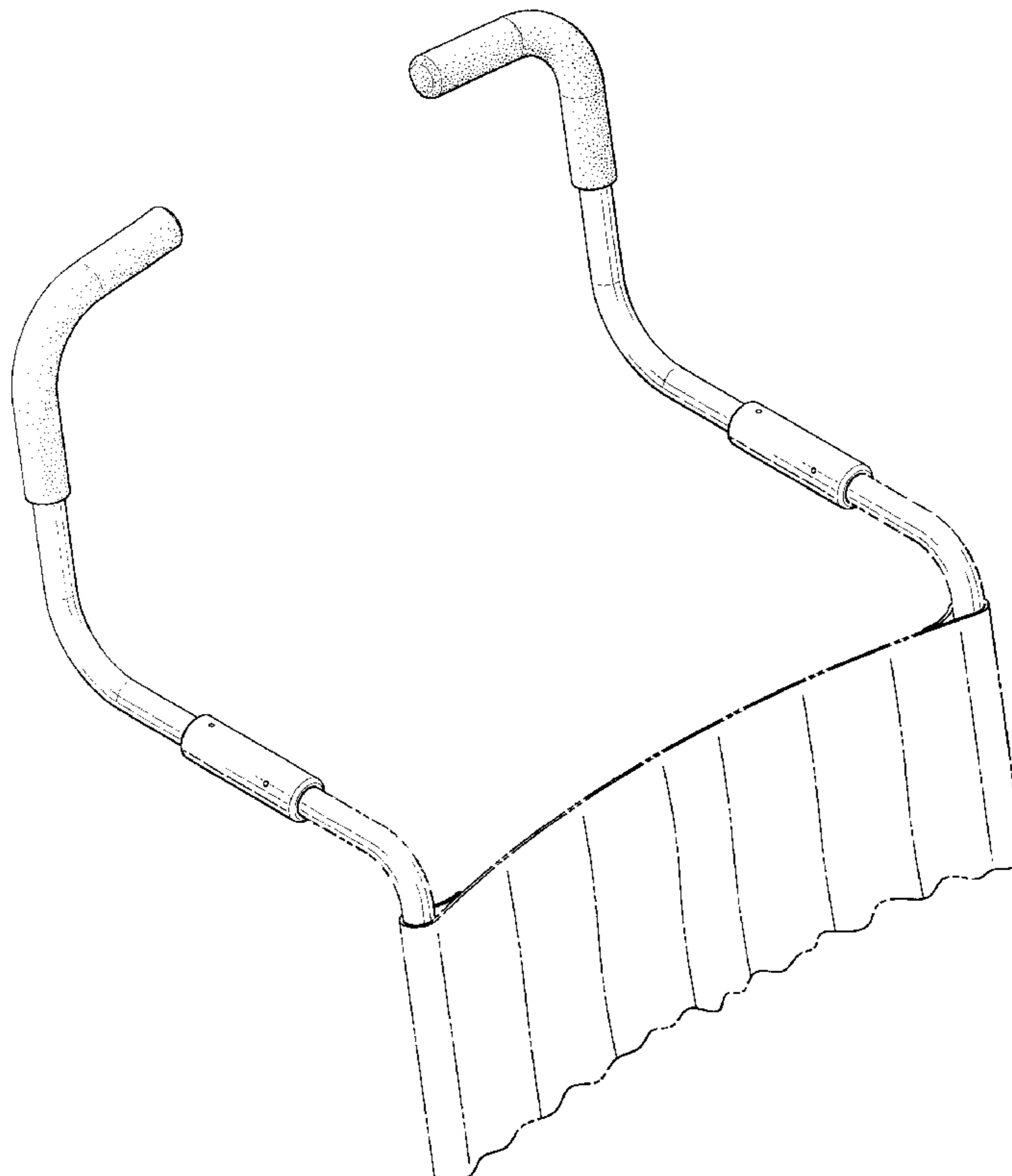
FIG. 18 is an elevational view from the left side thereof;

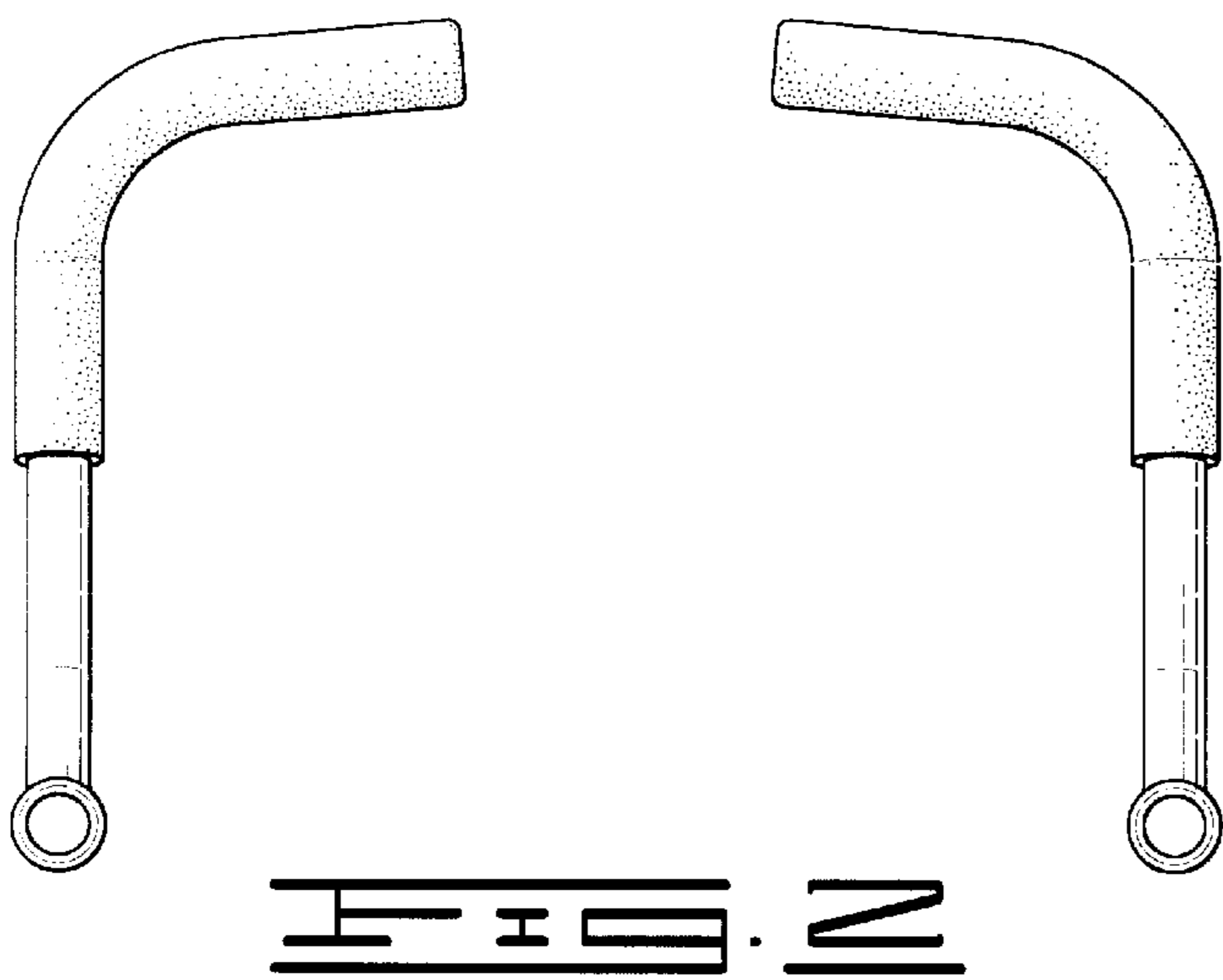
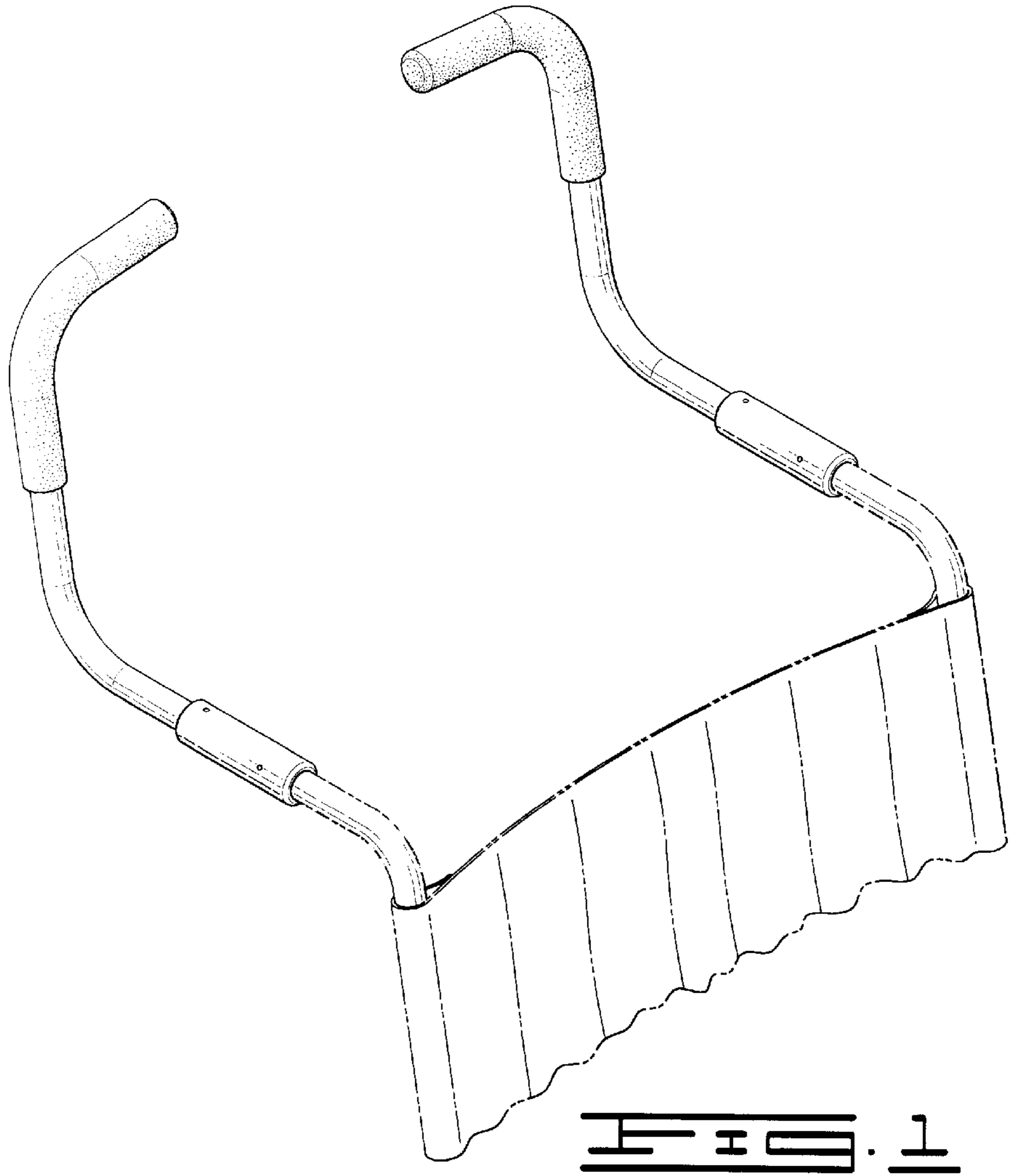
FIG. 19 is an elevational view from the right side thereof;

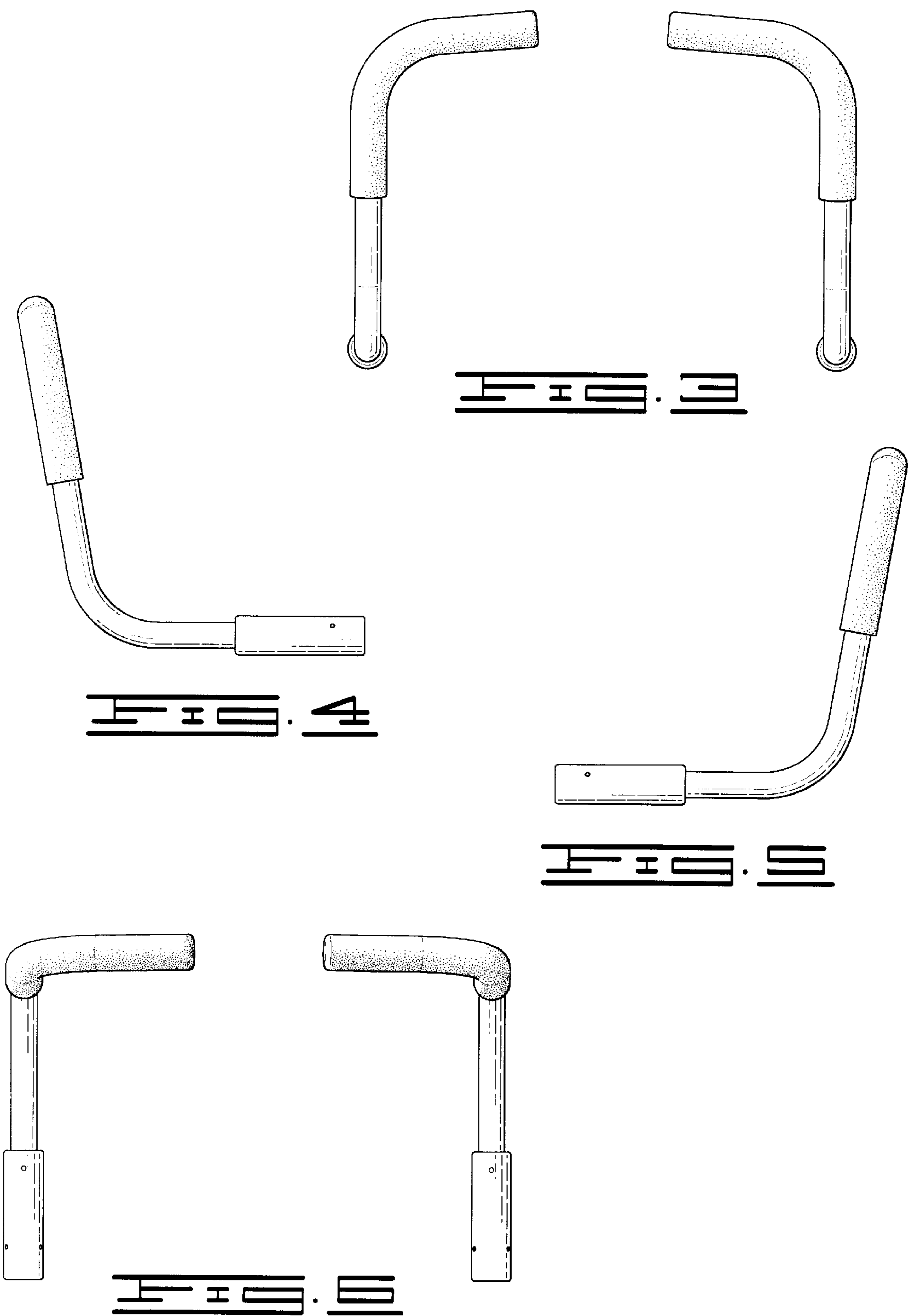
FIG. 20 is a top plan view thereof; and,

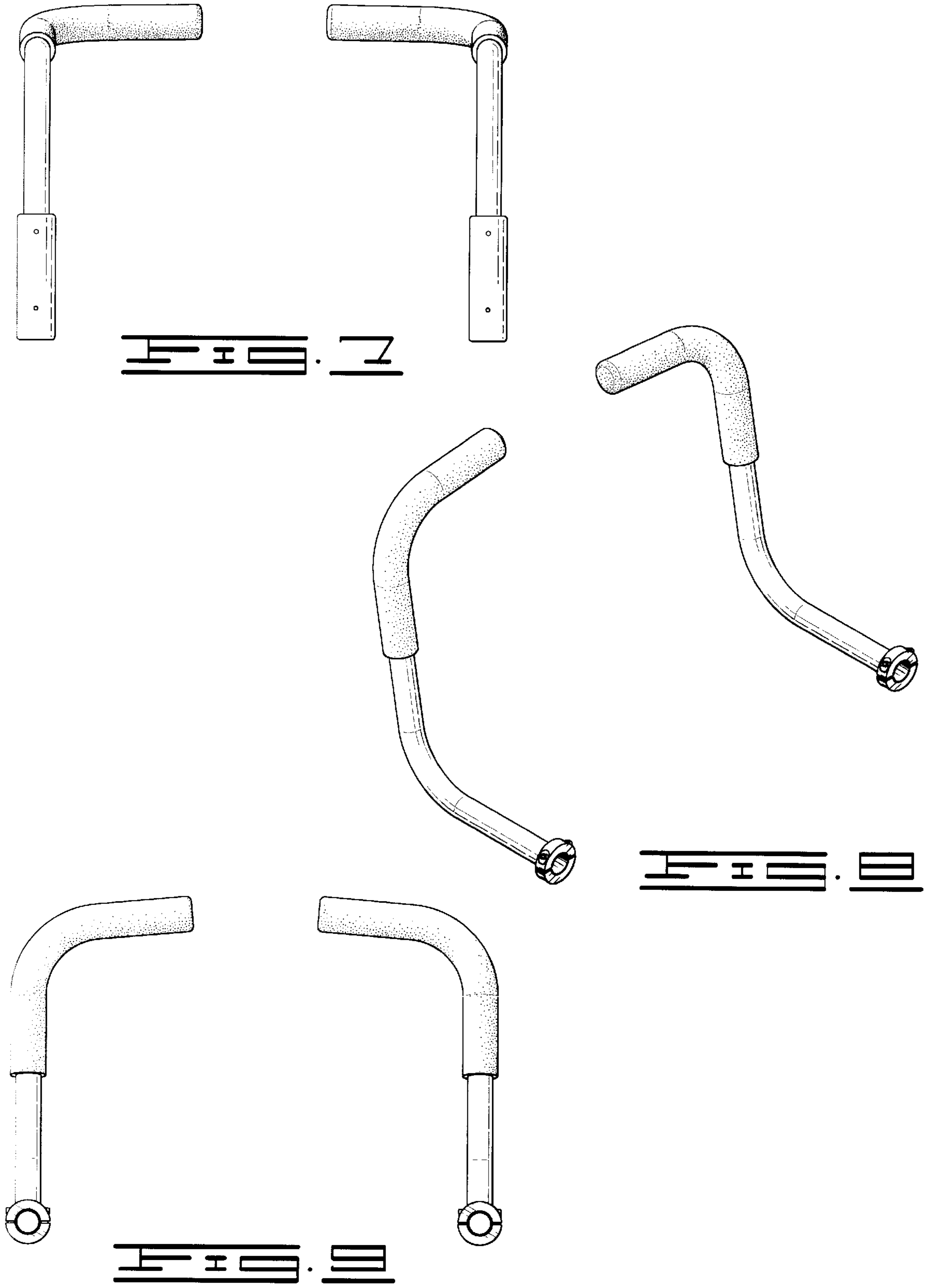
FIG. 21 is a bottom plan view thereof.

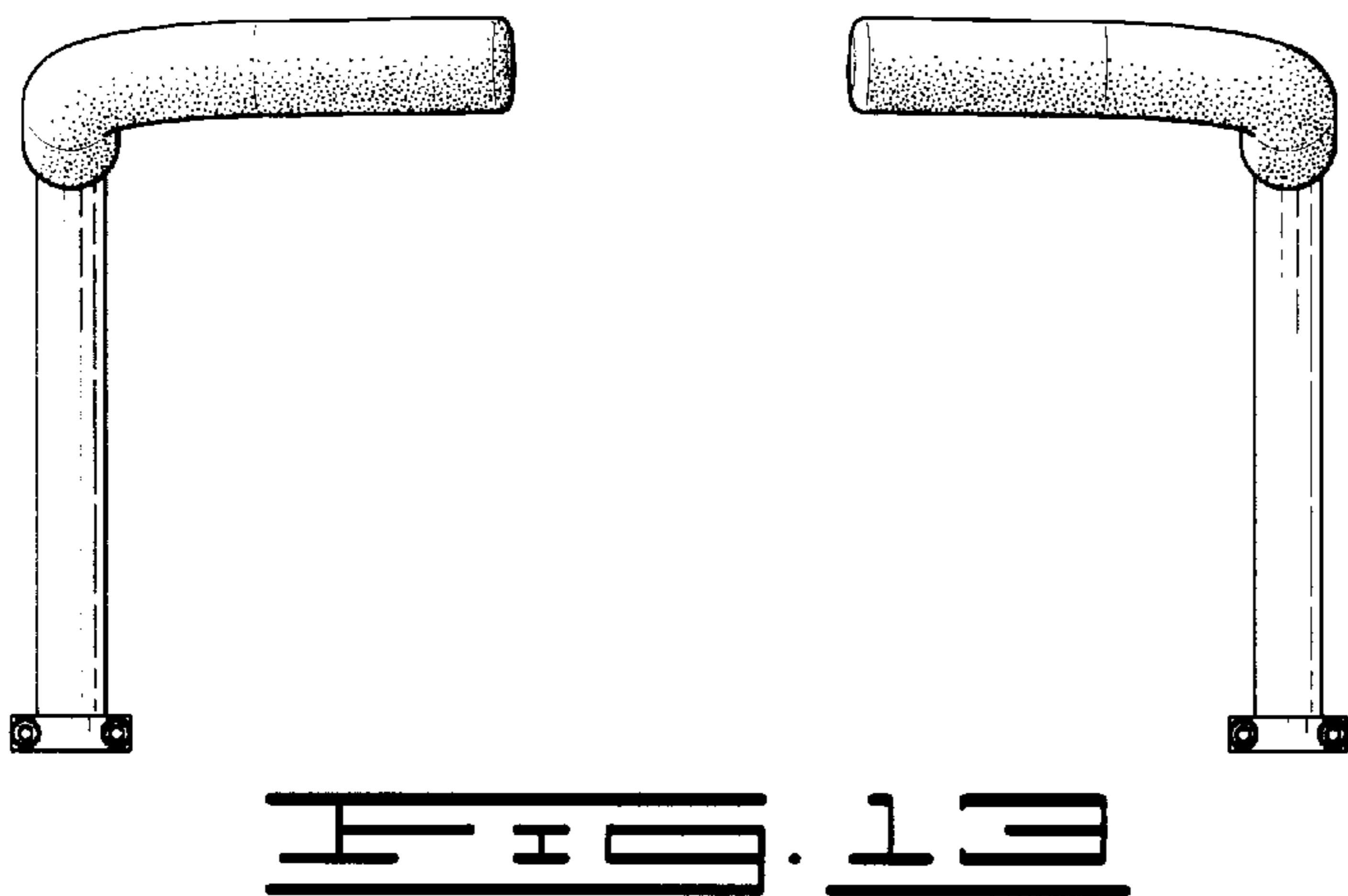
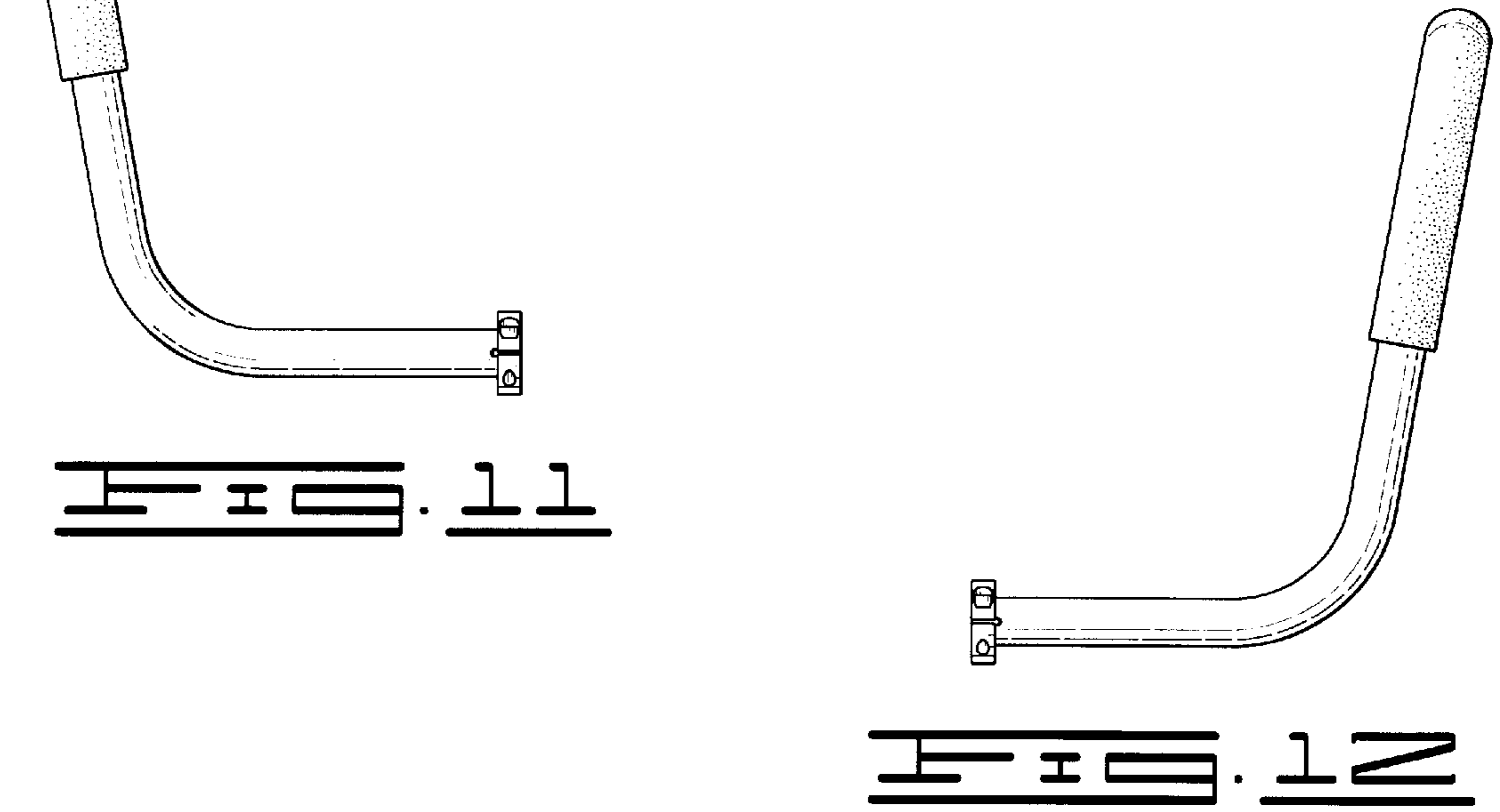
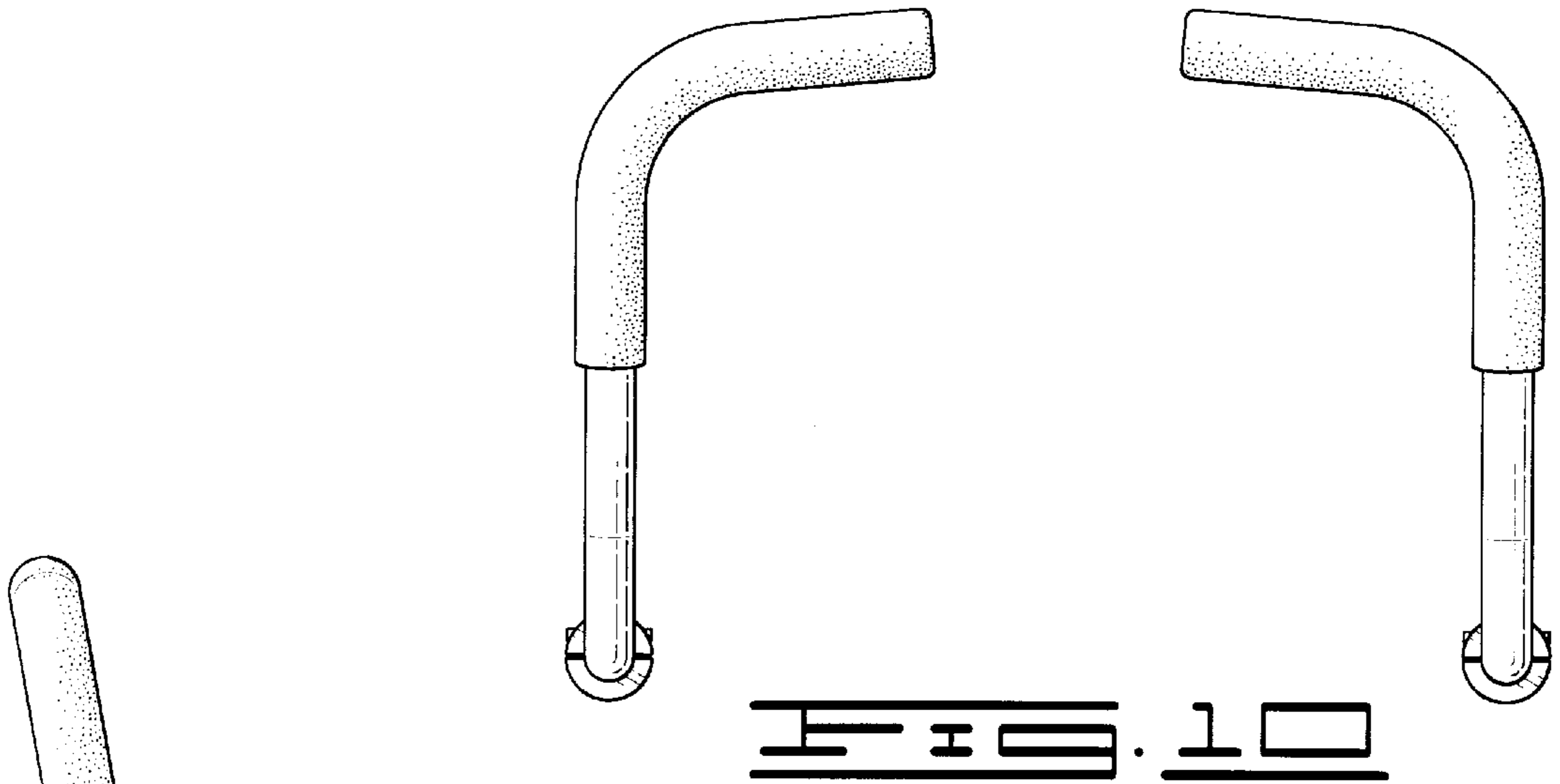
1 Claim, 7 Drawing Sheets











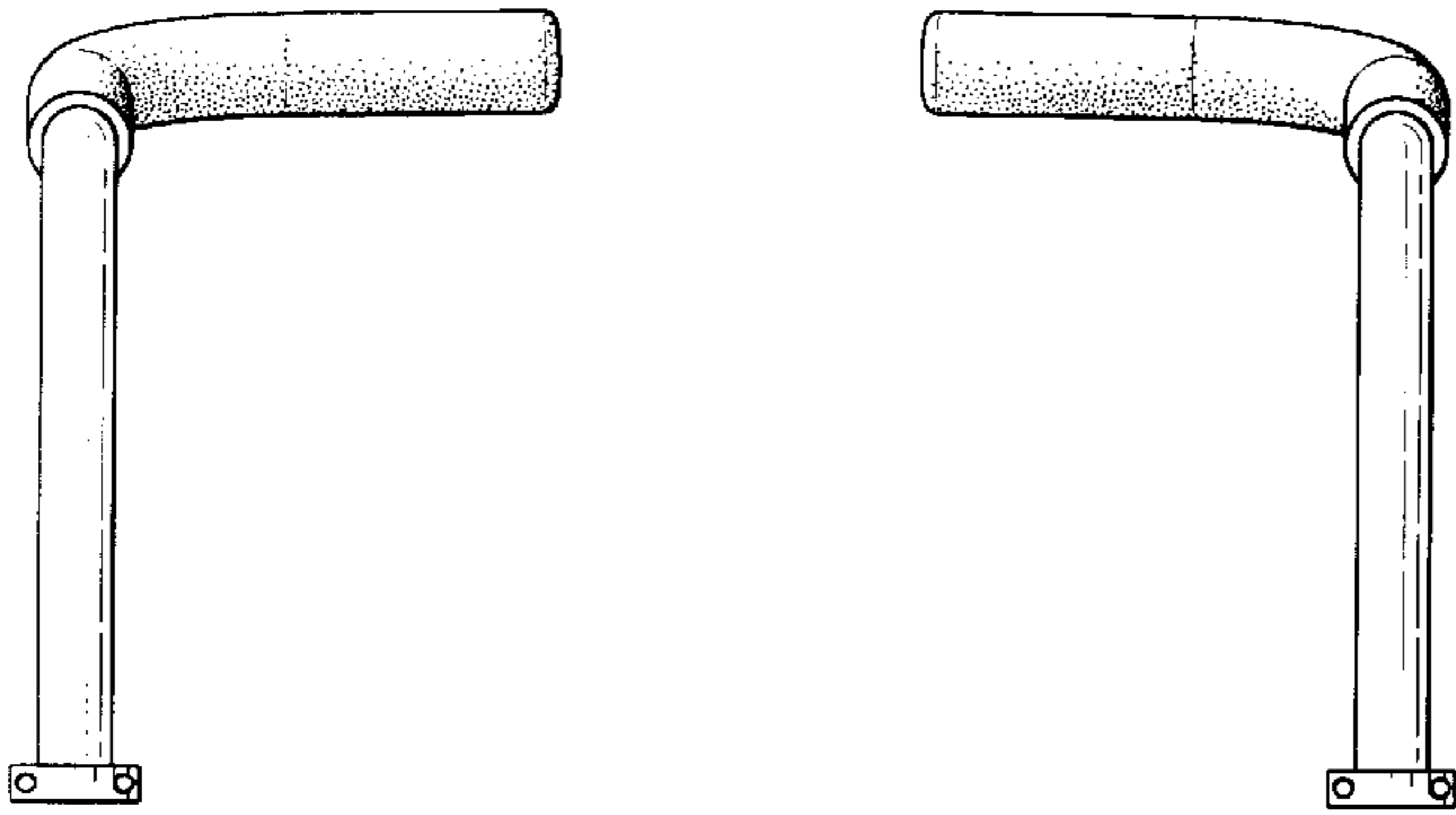


FIG. 14

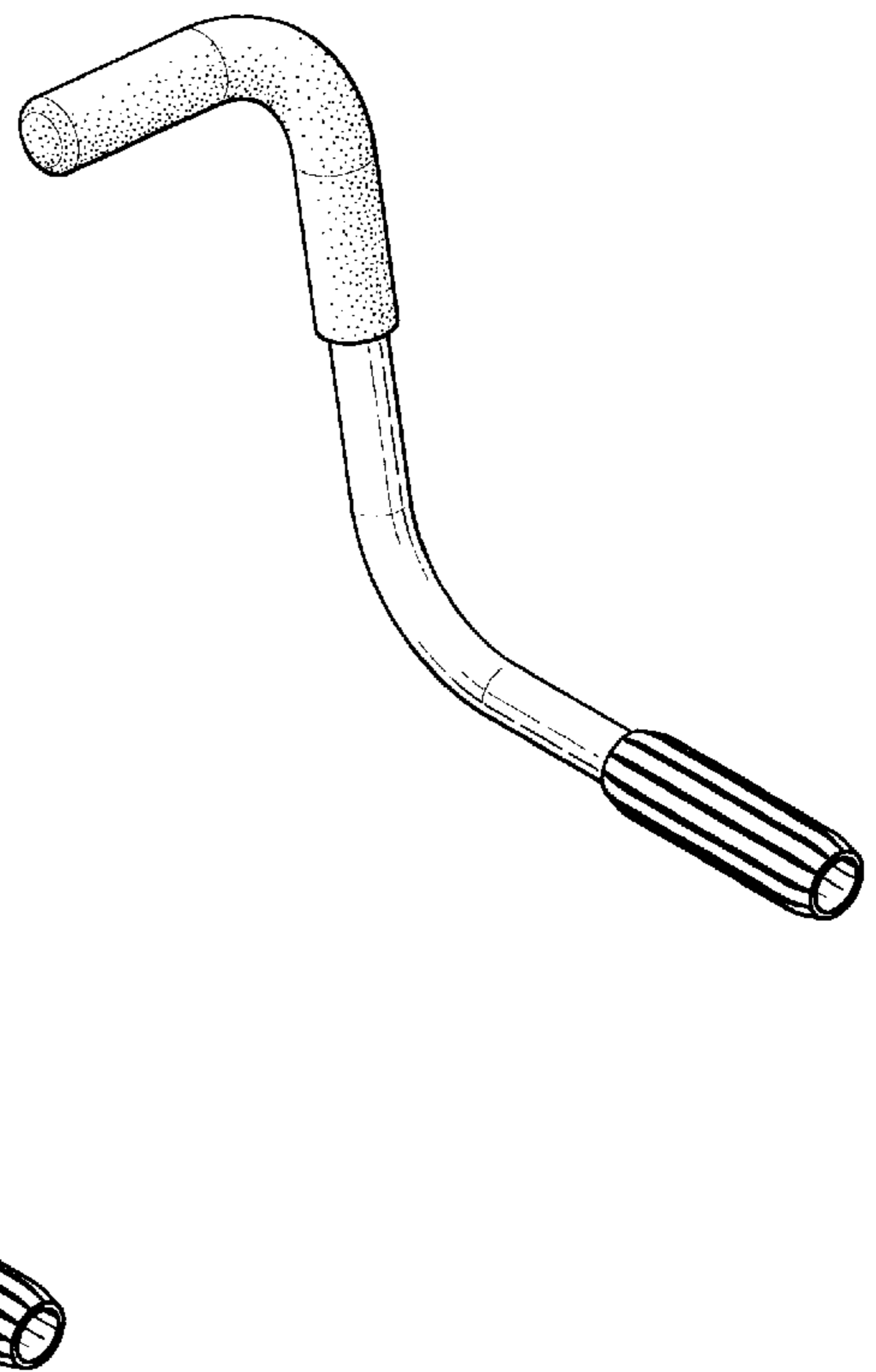


FIG. 15

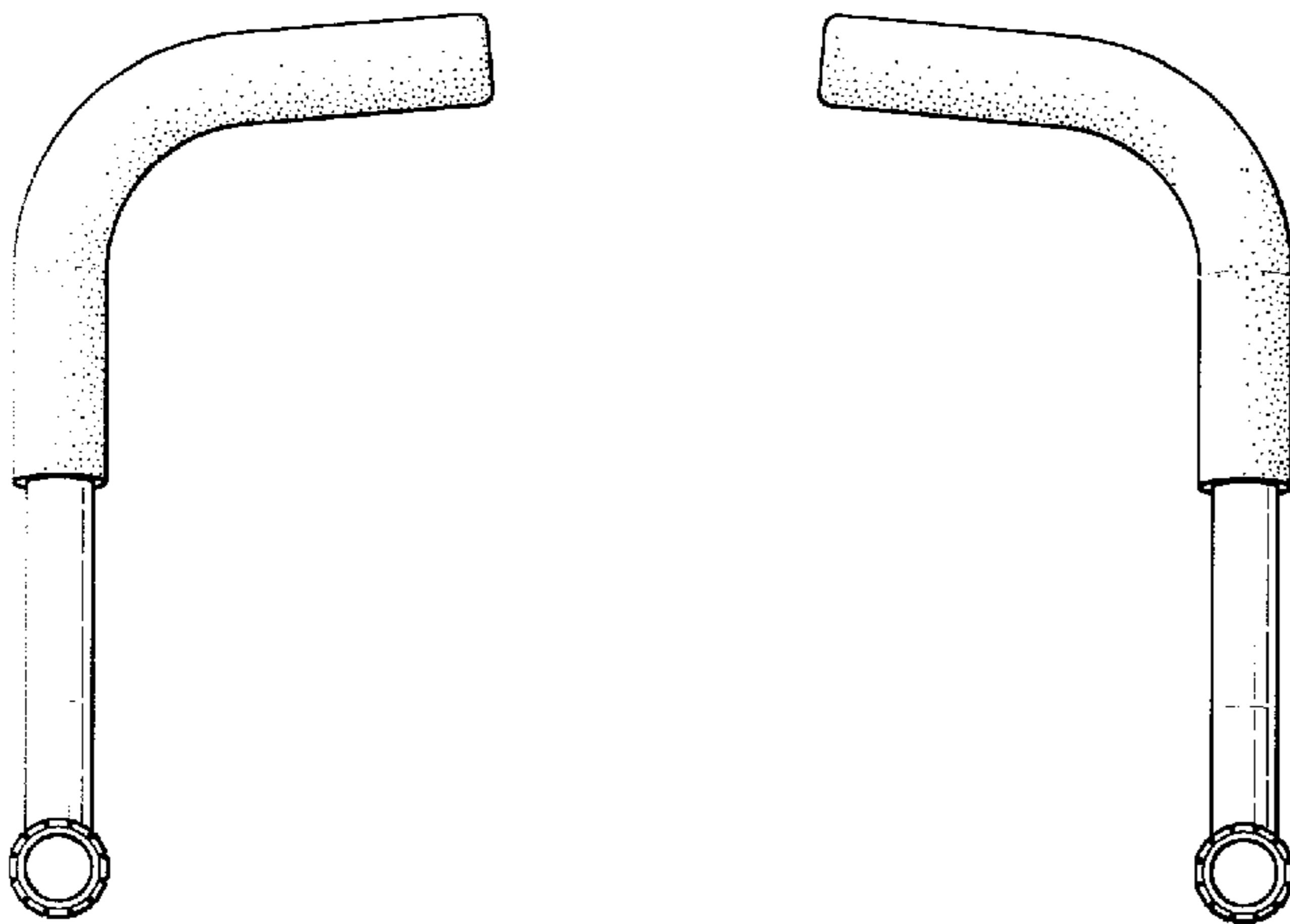


FIG. 16

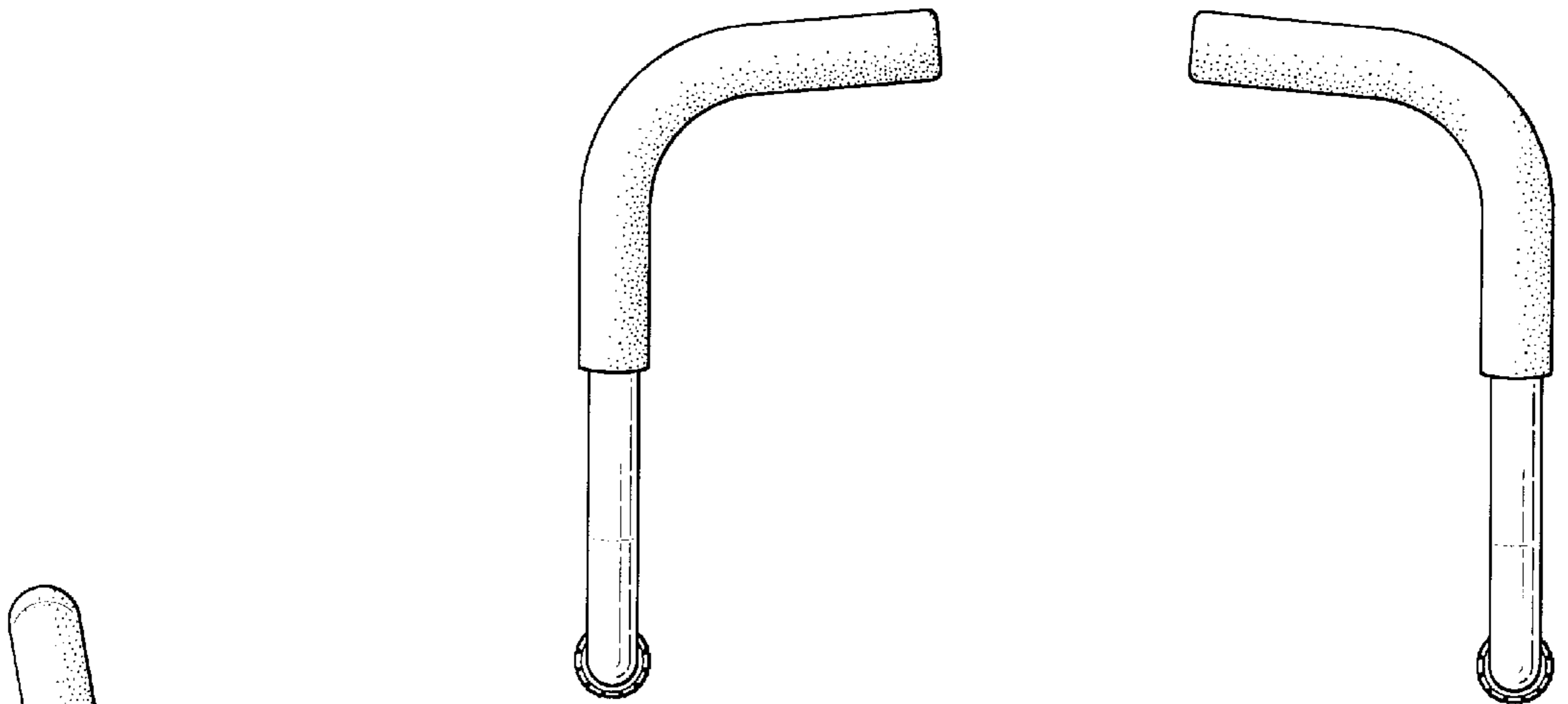


FIG. 17

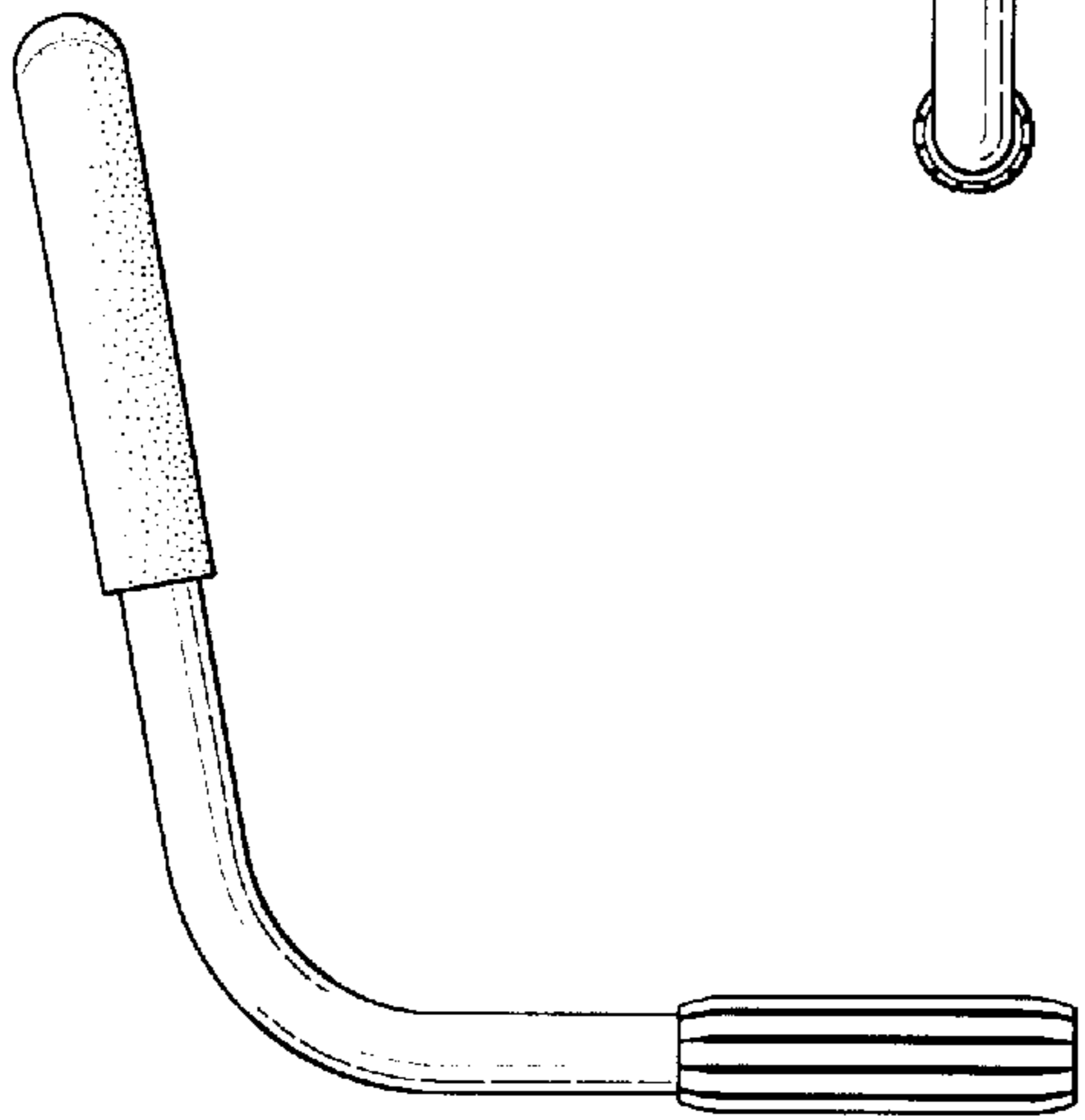


FIG. 18

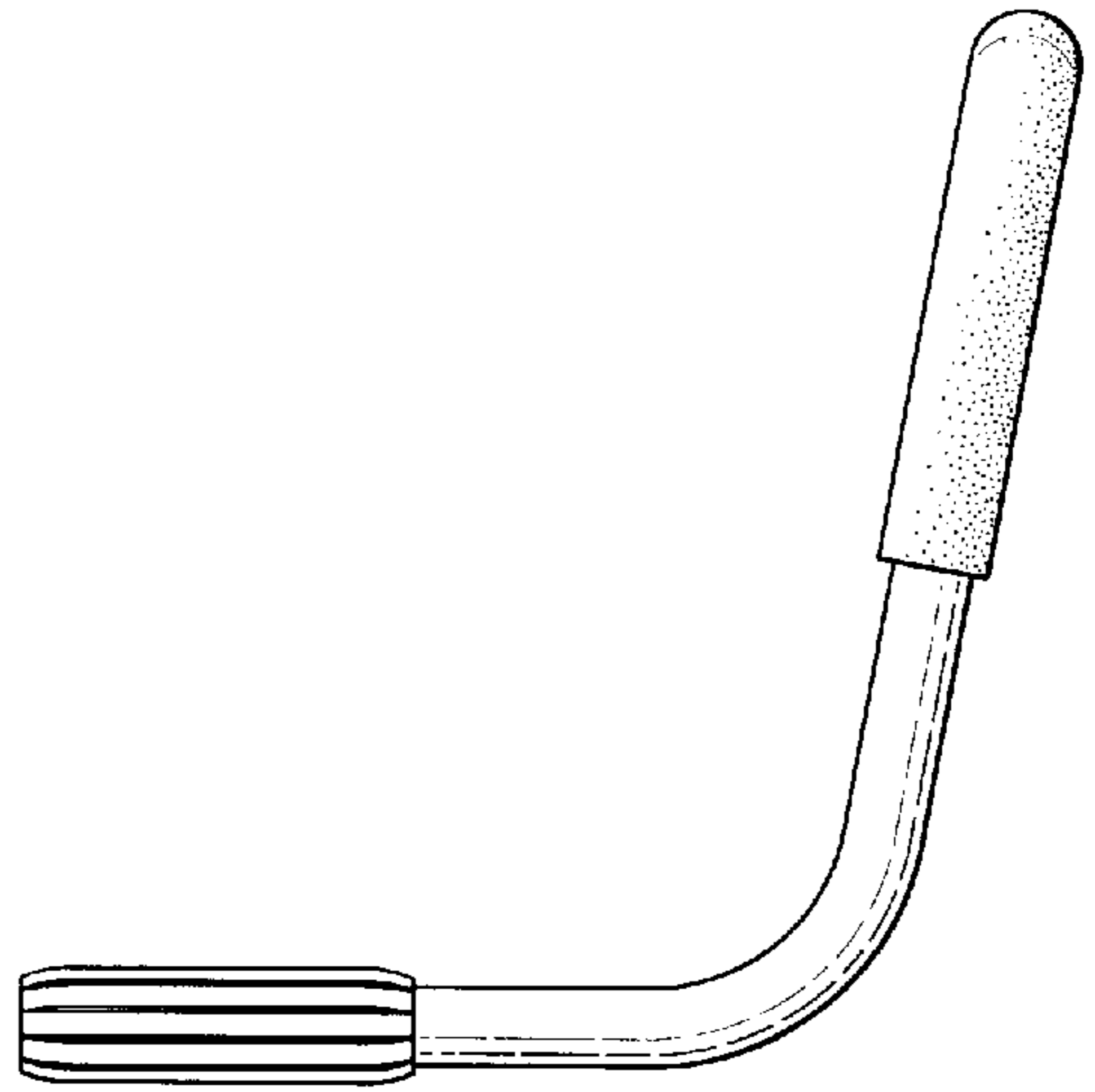


FIG. 19

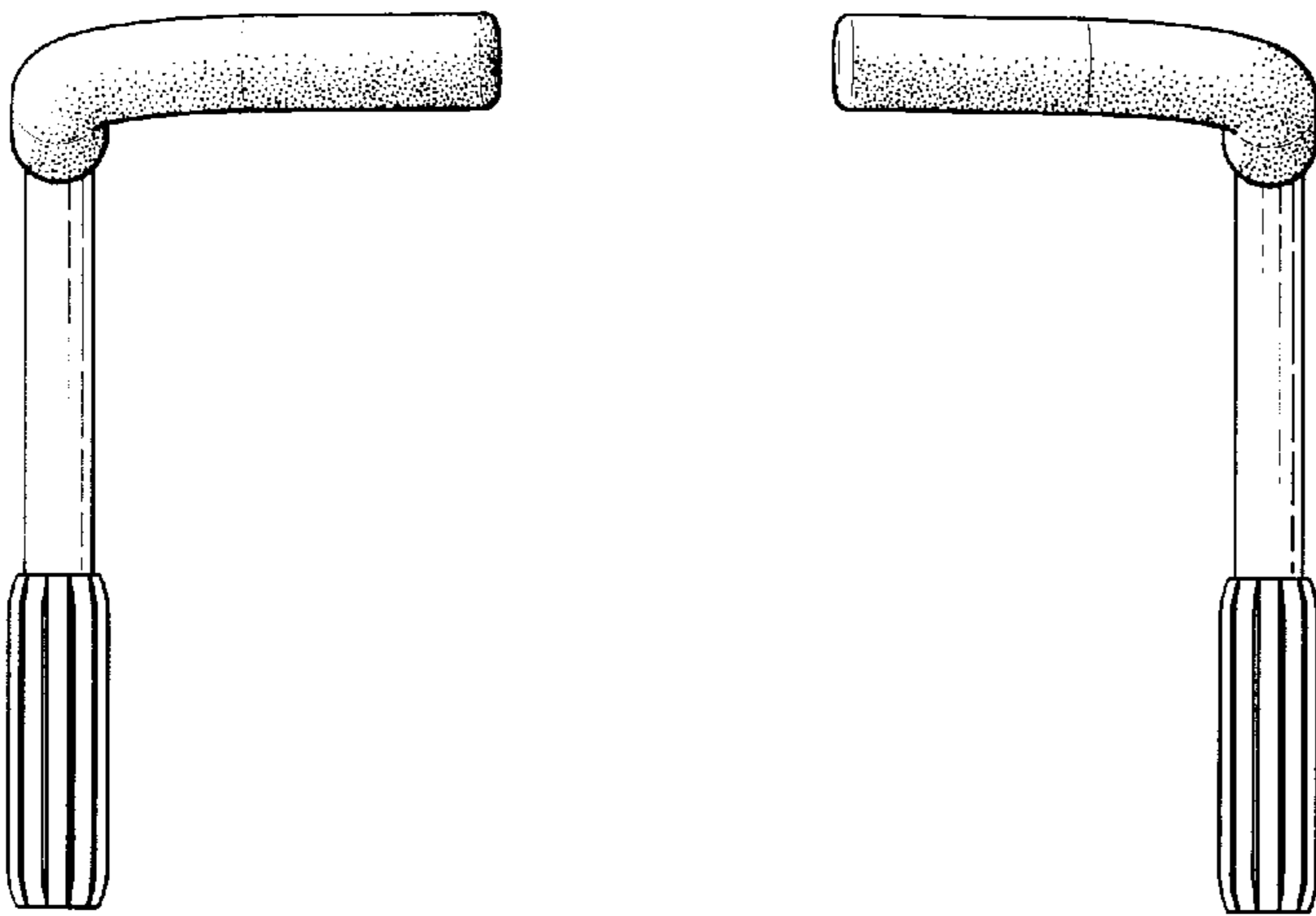


FIG. 20

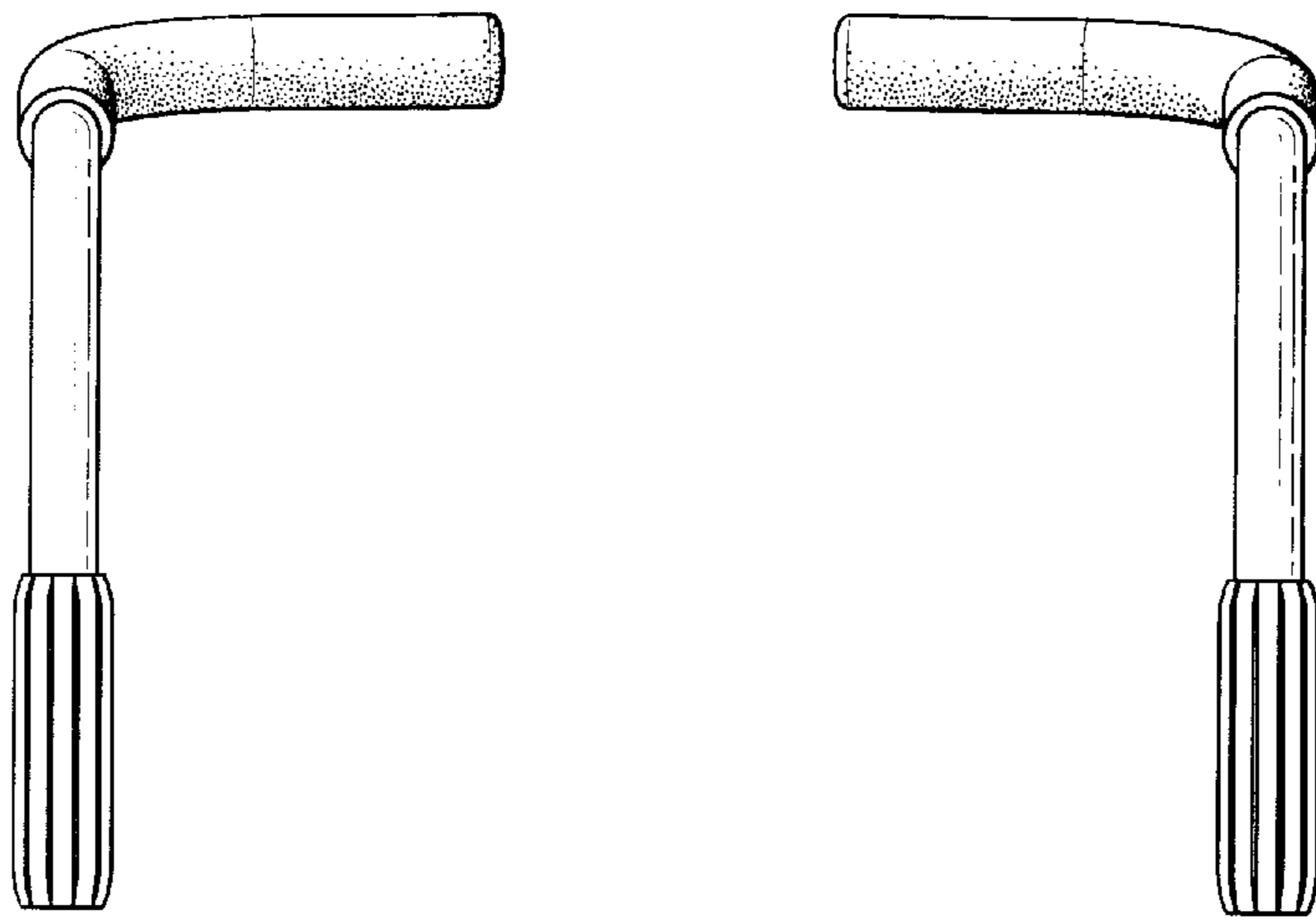


FIG. 21