



US00D407671S

United States Patent [19]
Muhanna

[11] **Patent Number:** **Des. 407,671**
[45] **Date of Patent:** ****Apr. 6, 1999**

[54] **INFLATABLE PAD FOR ATTACHMENT TO A BACKBOARD**

[76] Inventor: **Nabil L. Muhanna**, 2128 Valley Rd.,
Gainesville, Ga. 30501

[**] Term: **14 Years**

[21] Appl. No.: **88,831**

[22] Filed: **Jun. 2, 1998**

[51] **LOC (6) Cl.** **12-12**

[52] **U.S. Cl.** **D12/133; D12/128; D6/382;**
D6/596; D6/604

[58] **Field of Search** D6/595, 596, 601,
D6/604, 605, 382; D21/803; 5/630, 634,
636, 644, 645, 417, 420, 706, 710, 652,
653, 654, 655.3, 655.5, 656, 625, 627,
81.1 R; D12/128, 133

[56] **References Cited**

U.S. PATENT DOCUMENTS

D. 258,481 3/1981 Kroll D6/604

D. 312,992 12/1990 Liebman D12/128
D. 379,784 6/1997 Muhanna et al. D12/128
2,703,416 3/1955 Owen 5/706
4,872,229 10/1989 Brady 5/710
4,908,895 3/1990 Walker 5/711
5,317,770 6/1994 Saruari 5/625

Primary Examiner—Janice E. Seeger
Attorney, Agent, or Firm—Louis T. Isaf

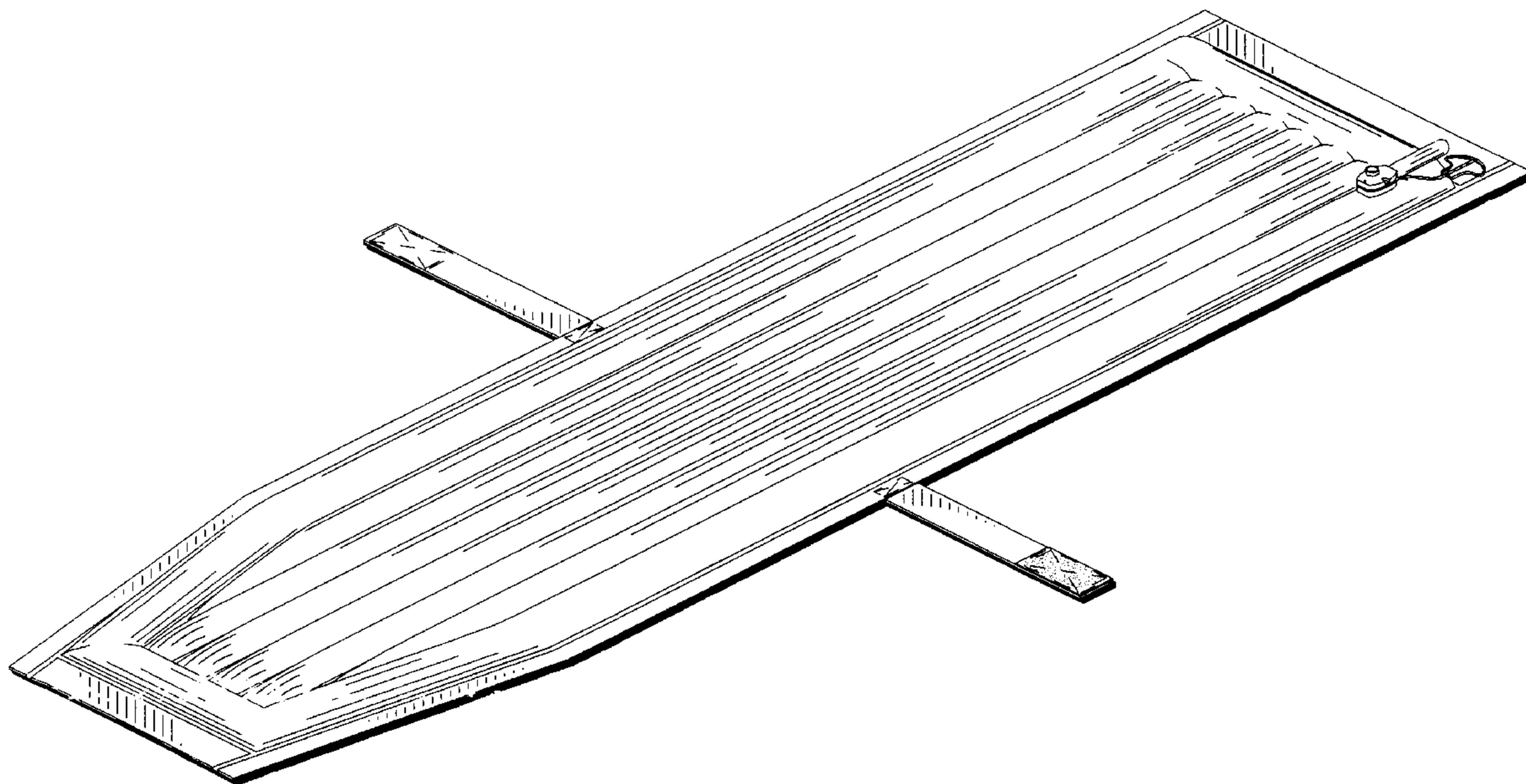
[57] **CLAIM**

The ornamental design for an “inflatable pad for attachment to a backboard”, as shown and described.

DESCRIPTION

FIG. 1 is a perspective view of the inflatable pad for attachment to a backboard;
FIG. 2 is a bottom end view of the inflatable pad of FIG. 1;
FIG. 3 is a right side view of the inflatable pad of FIG. 1;
FIG. 4 is a left side view of the inflatable pad of FIG. 1;
FIG. 5 is a top end view of the inflatable pad of FIG. 1;
FIG. 6 is a top view of the inflatable pad of FIG. 1; and,
FIG. 7 is a bottom view of the inflatable pad of FIG. 1.

1 Claim, 4 Drawing Sheets



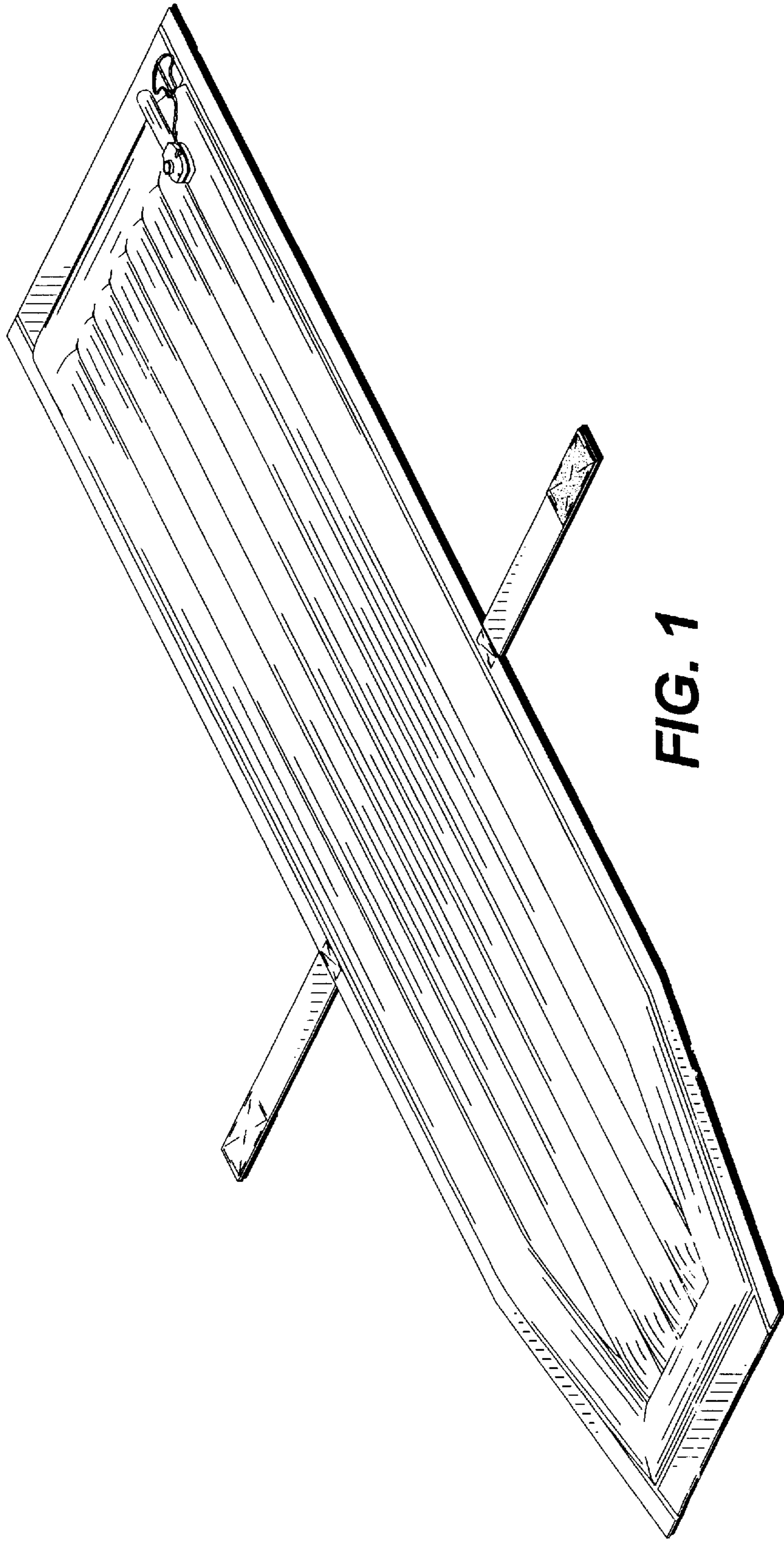


FIG. 1



FIG. 2



FIG. 3



FIG. 4



FIG. 5

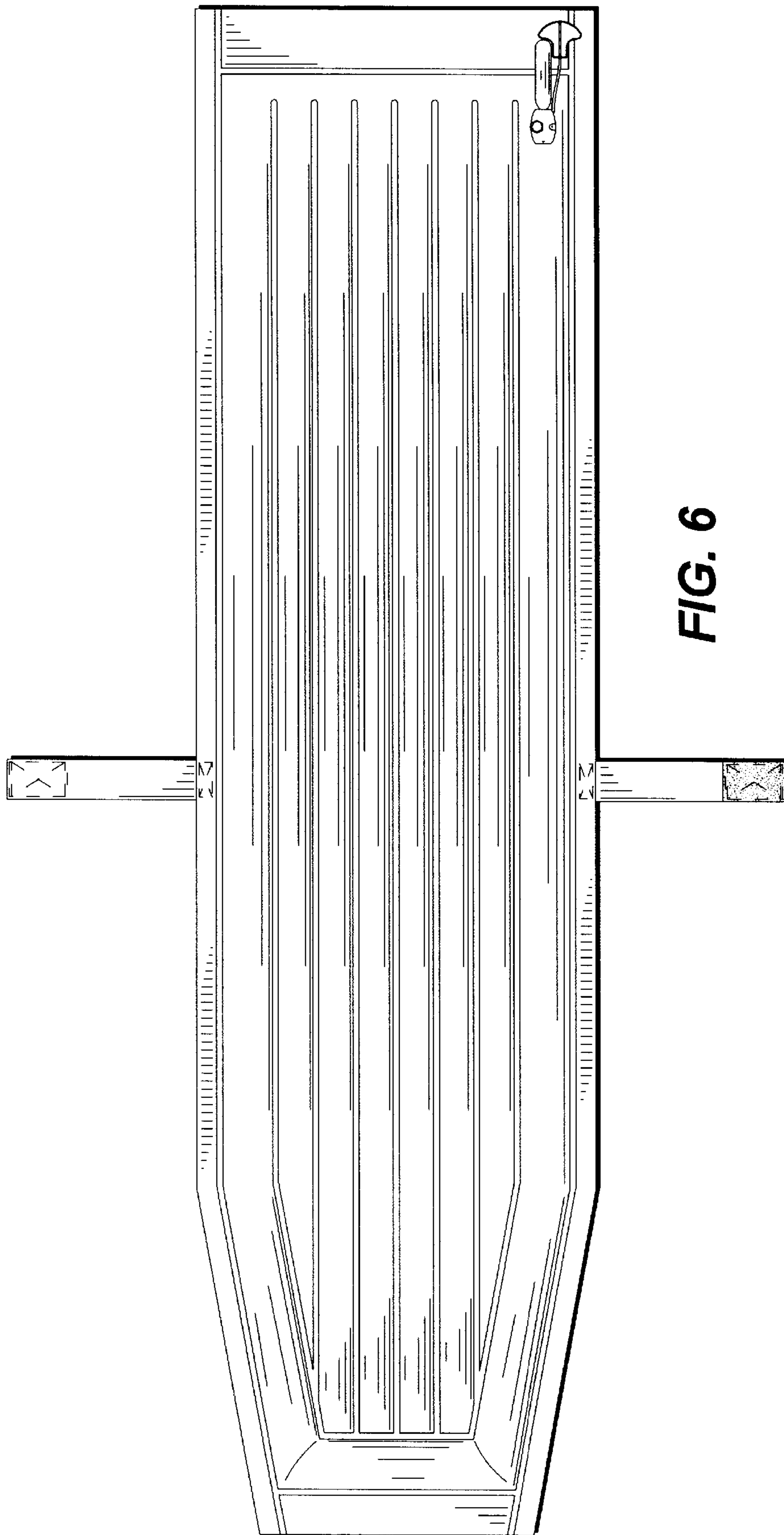


FIG. 6

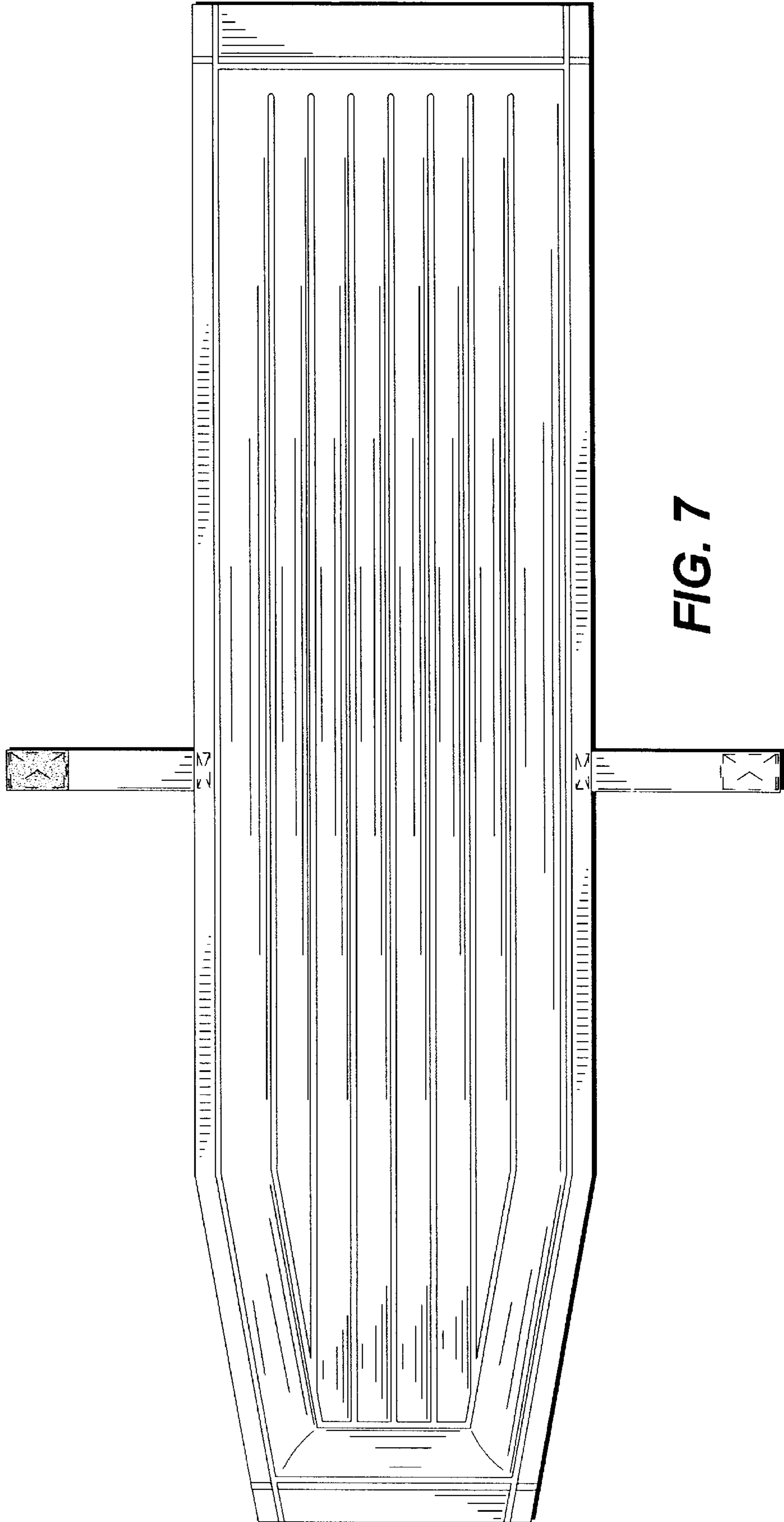


FIG. 7