



US00D407669S

United States Patent [19]

Füchsle et al.

[11] Patent Number: **Des. 407,669**

[45] Date of Patent: ****Apr. 6, 1999**

[54] SWITCHGEAR UNIT

[75] Inventors: **Dieter Füchsle**, Lengnau; **Peter Högg**,
Wettingen; **Markus Zbinden**,
Dübendorf, all of Switzerland

[73] Assignee: **Asea Brown Boveri AG**, Baden,
Switzerland

[**] Term: **14 Years**

[21] Appl. No.: **60,757**

[22] Filed: **Oct. 7, 1996**

[51] LOC (6) Cl. **12-11**

[52] U.S. Cl. **D12/117**

[58] Field of Search D12/117, 111;
280/281.1, 288.1-288.3, 260; 174/144-160,
142, 18, 140 C

[56] **References Cited**

U.S. PATENT DOCUMENTS

5,078,416 1/1992 Keyes 280/260

5,482,306 1/1996 Hsu 280/260
5,548,089 8/1996 Yamot 174/142
5,590,894 1/1997 Wen 280/260
5,667,233 9/1997 Metzinger 280/238

Primary Examiner—Melody N. Brown
Attorney, Agent, or Firm—Burns, Doane, Swecker &
Mathis, L.L.P.

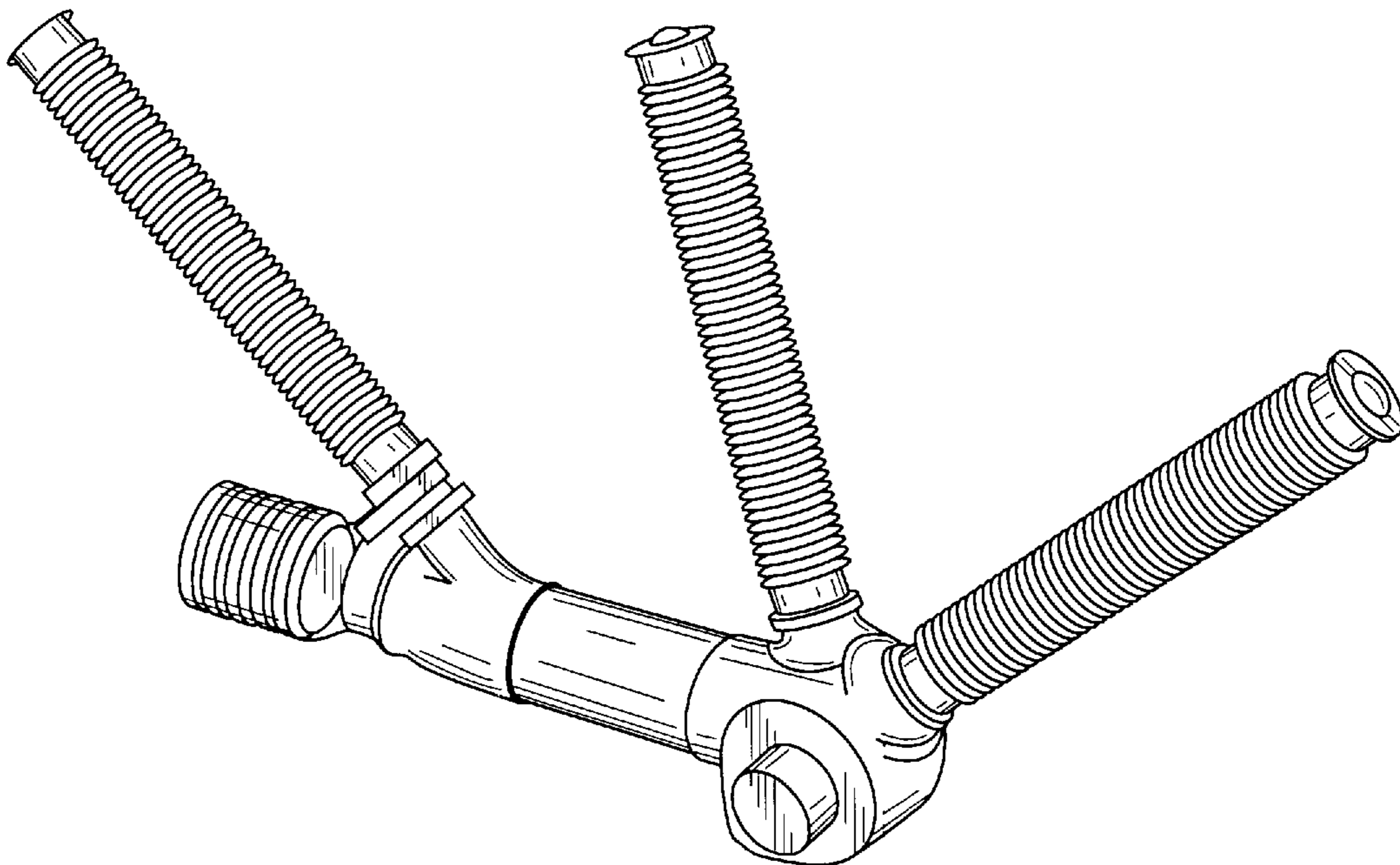
[57] **CLAIM**

The ornamental design for a switchgear unit, as shown and described.

DESCRIPTION

FIG. 1 is a top, perspective view of the switchgear unit showing our new design;
FIG. 2 is a left side elevational view thereof;
FIG. 3 is a front elevational view thereof;
FIG. 4 is a right side elevational view thereof;
FIG. 5 is a rear elevational view thereof;
FIG. 6 is a top plan view thereof; and,
FIG. 7 is a bottom plan view thereof.

1 Claim, 3 Drawing Sheets



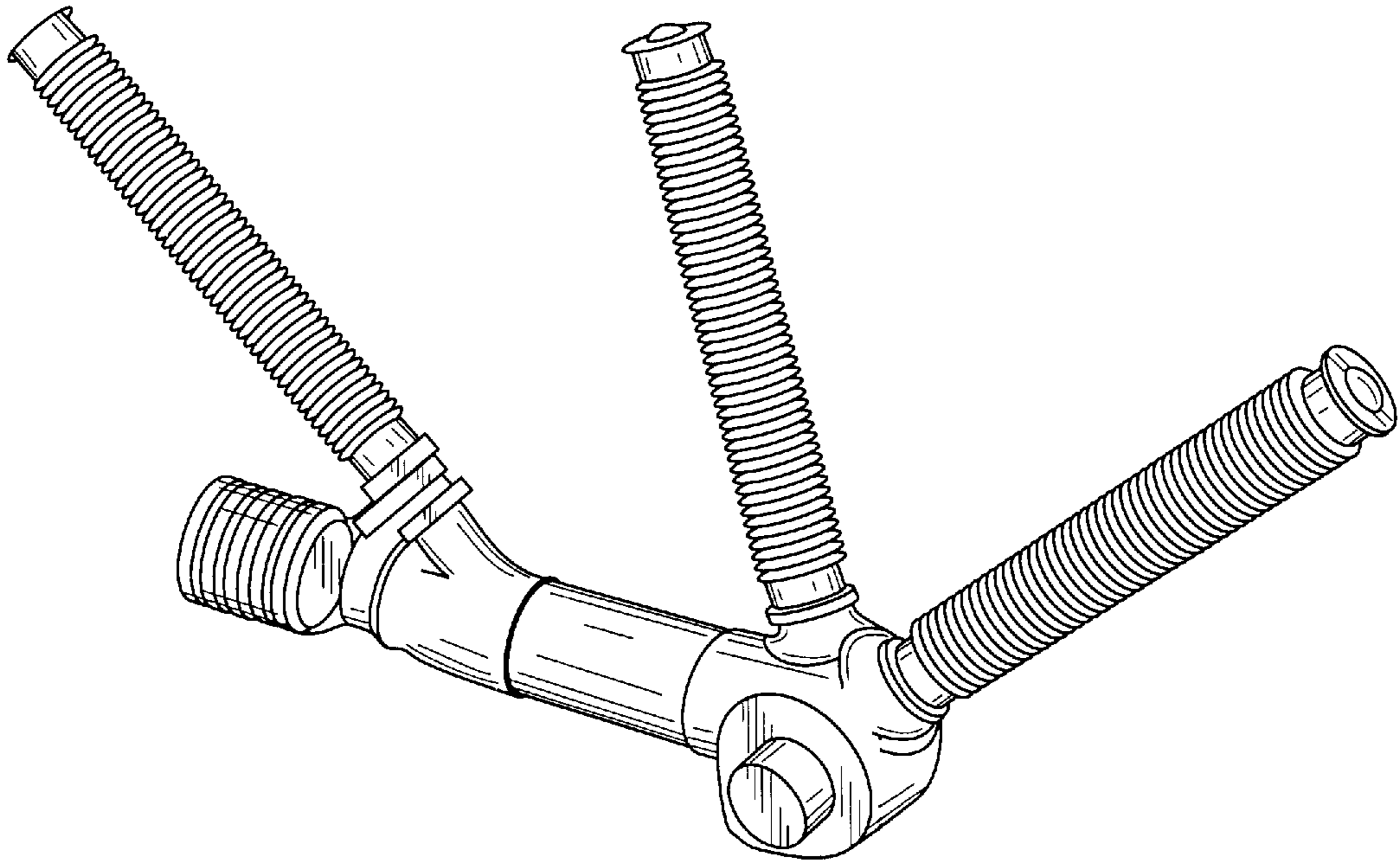


FIG. 1

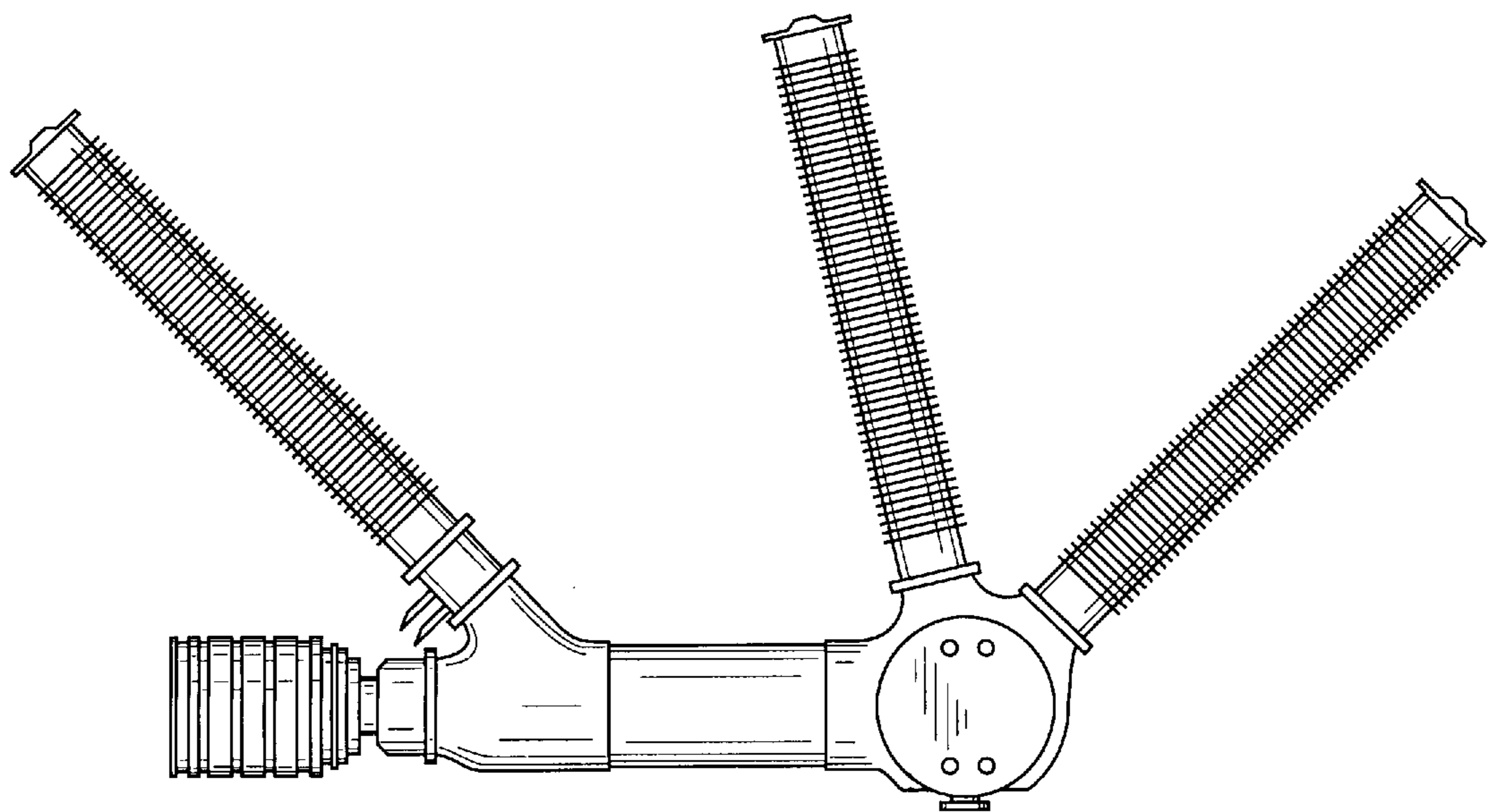


FIG. 2

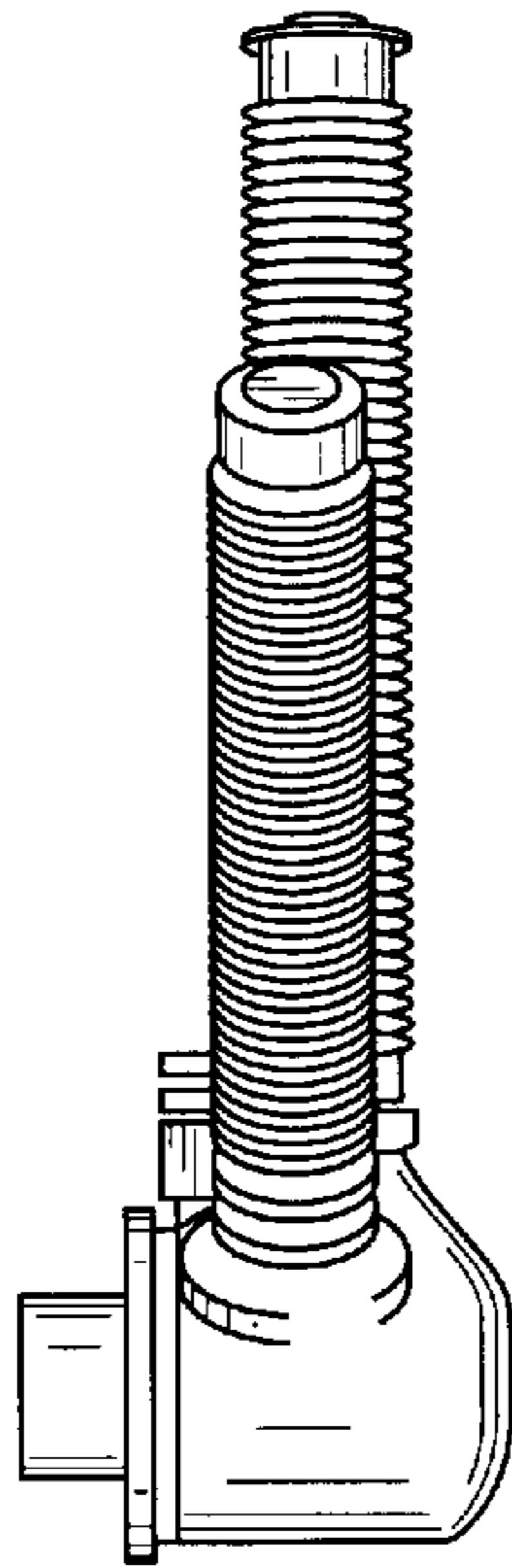


FIG. 3

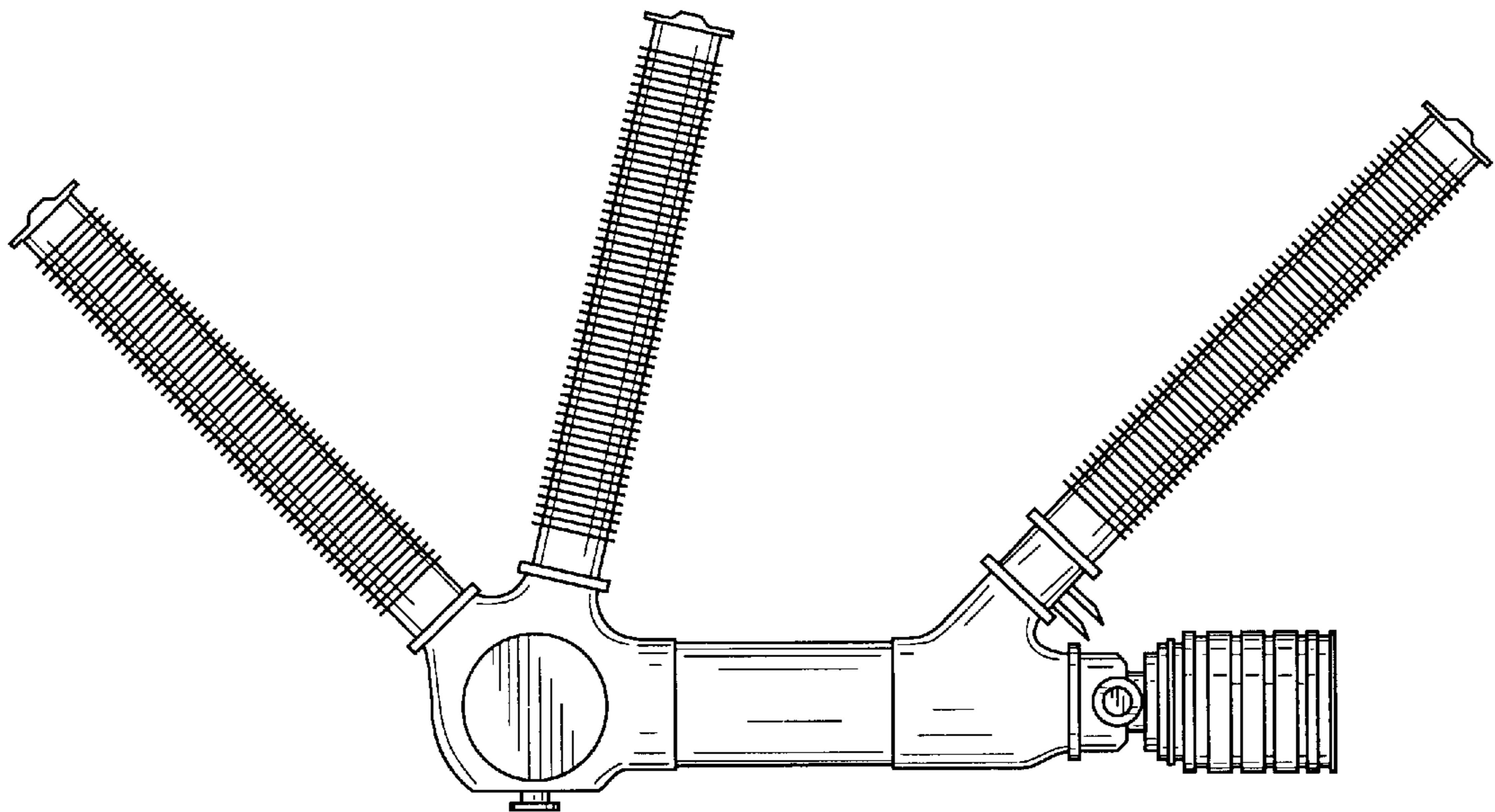


FIG. 4

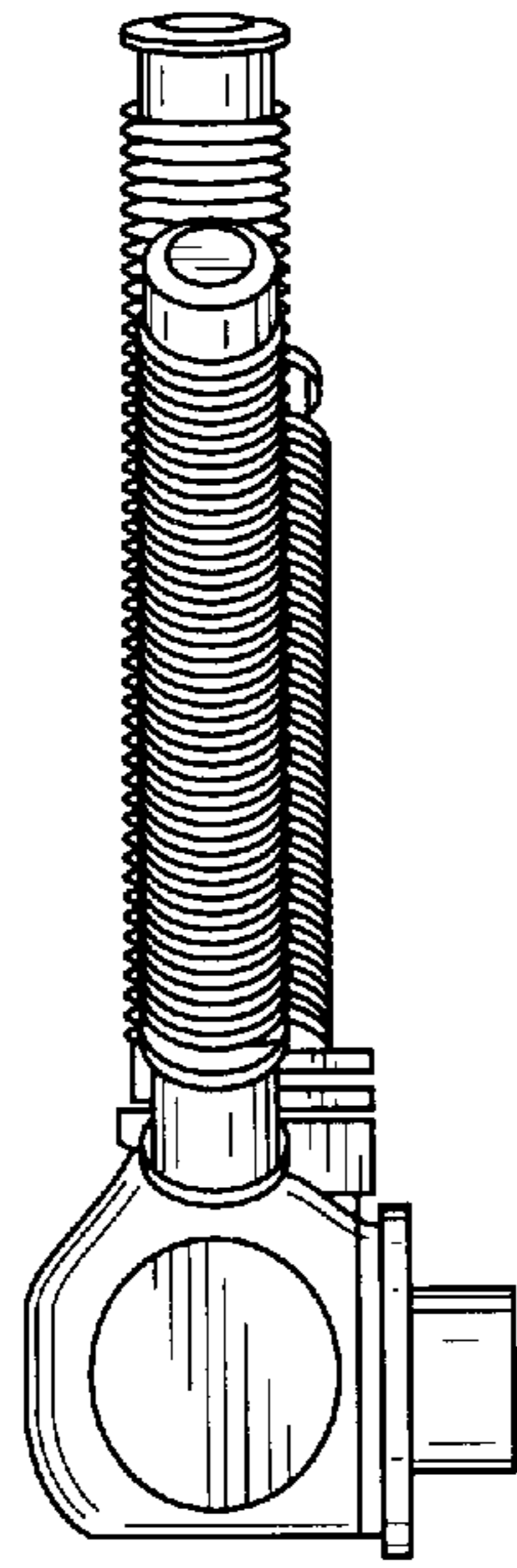


FIG. 5

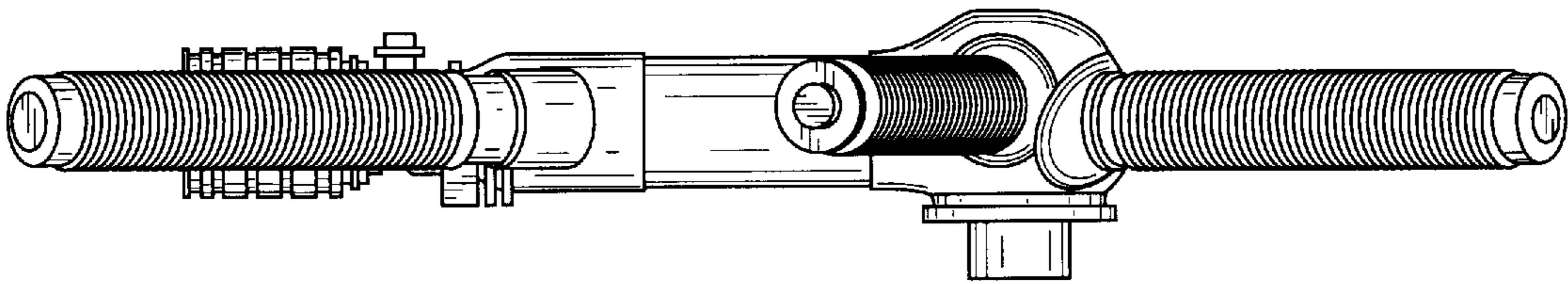


FIG. 6

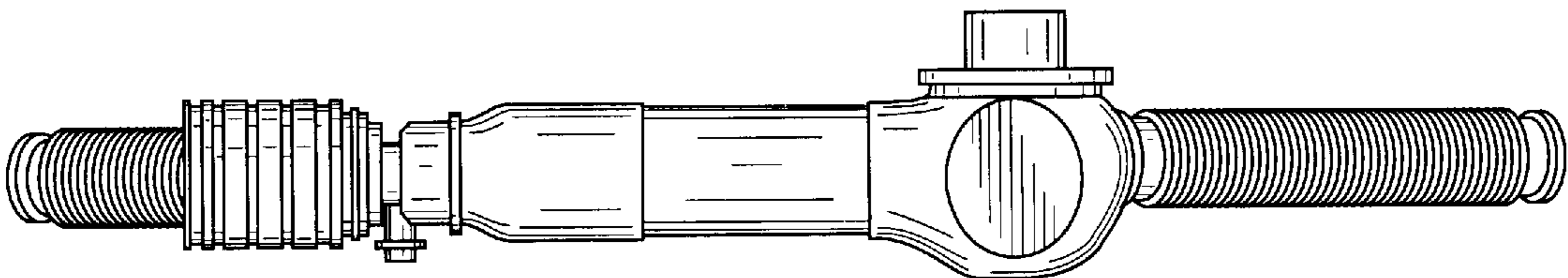


FIG. 7