



US00D407657S

United States Patent [19]

Fushiya et al.

[11] **Patent Number:** **Des. 407,657**

[45] **Date of Patent:** ****Apr. 6, 1999**

[54] **CONVERTER FOR AN ELECTROMAGNETIC FLOW METER**

891638 3/1994 Japan .
939892 11/1995 Japan .

[75] Inventors: **Nobuhiro Fushiya**, Yokohama; **Takashi Kohara**, Tachikawa, both of Japan

OTHER PUBLICATIONS

A copy of the Denpa Shinbun (Newspaper).
A copy of the Denpa Shinbun (Newspaper).

[73] Assignee: **Kabushiki Kaisha Toshiba**, Kawasaki, Japan

Primary Examiner—Antoine Duval Davis
Attorney, Agent, or Firm—Oblon, Spivak, McClelland, Maier & Neustadt, P.C.

[**] Term: **14 Years**

[21] Appl. No.: **78,224**

[57] CLAIM

[22] Filed: **Oct. 24, 1997**

The ornamental design for converter for an electromagnetic flow meter, as shown.

[30] Foreign Application Priority Data

Apr. 25, 1997 [JP] Japan 9-52799

DESCRIPTION

[51] **LOC (6) Cl.** **10-04**

FIG. 1 is a front, top and left side perspective view of converter for an electromagnetic flow meter, showing our new design;

[52] **U.S. Cl.** **D10/96**

FIG. 2 is a top plan view thereof;

[58] **Field of Search** D10/96; 73/861.11-861.18

FIG. 3 is a front elevational view thereof;

[56] References Cited

U.S. PATENT DOCUMENTS

D. 358,784 5/1995 Templin, Jr. et al. D10/96
5,750,902 5/1998 Schwiderski 73/861.12

FIG. 4 is a rear elevational view thereof;

FIG. 5 is a bottom plan view thereof;

FIG. 6 is a right side elevational view thereof; and,

FIG. 7 is a left side elevational view thereof.

FOREIGN PATENT DOCUMENTS

891638 2/1994 Japan .

1 Claim, 2 Drawing Sheets

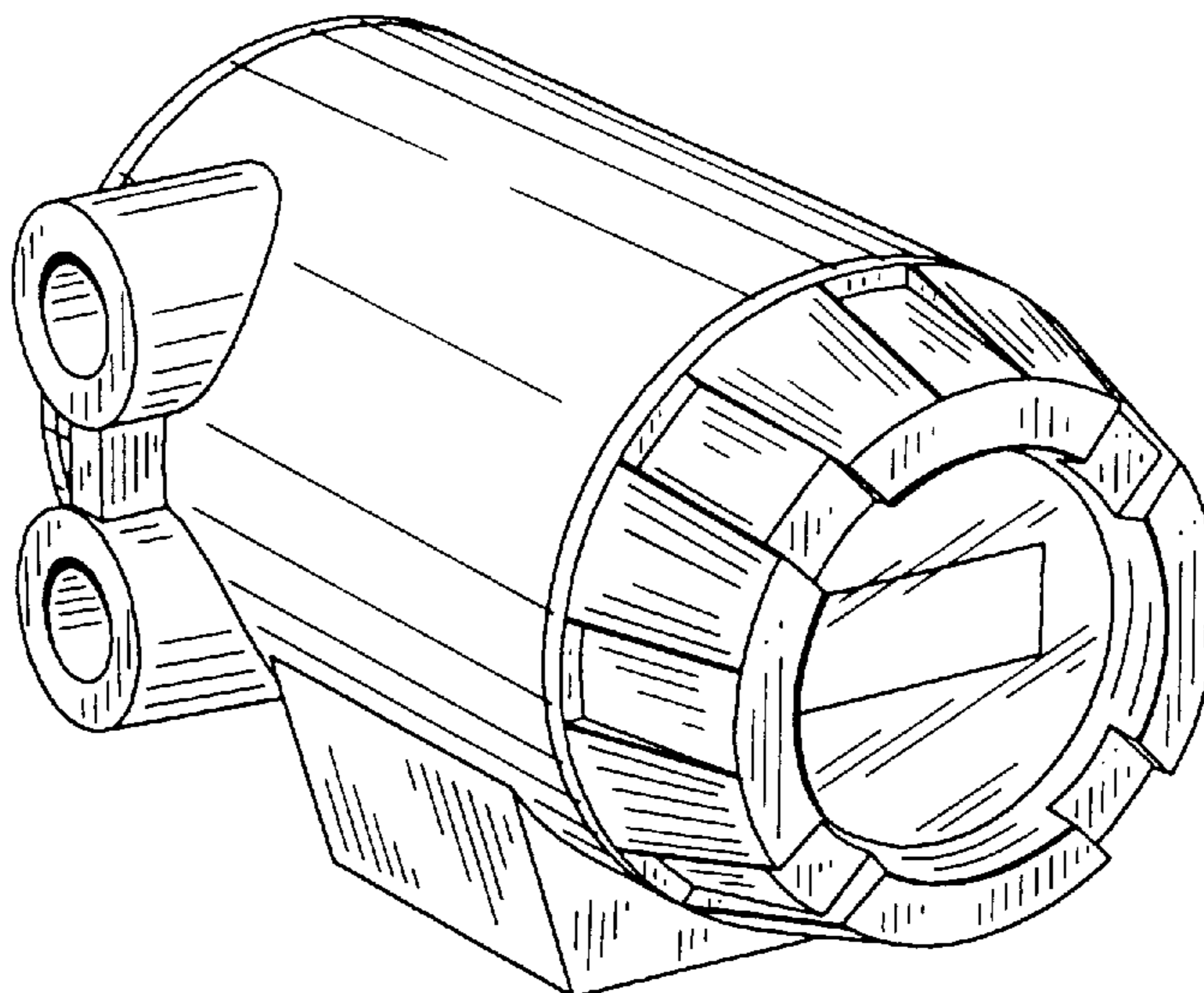


FIG. 1

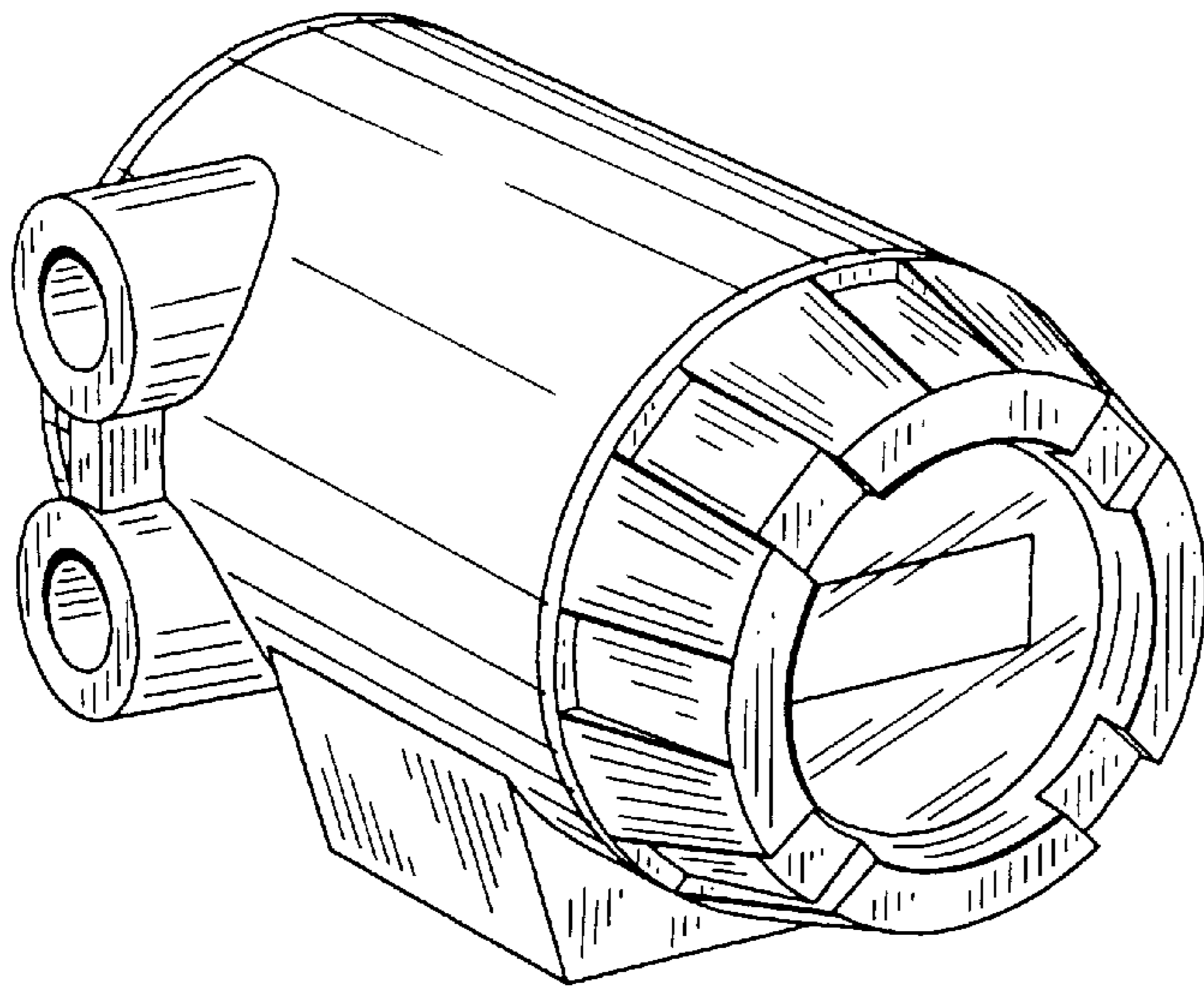


FIG. 2

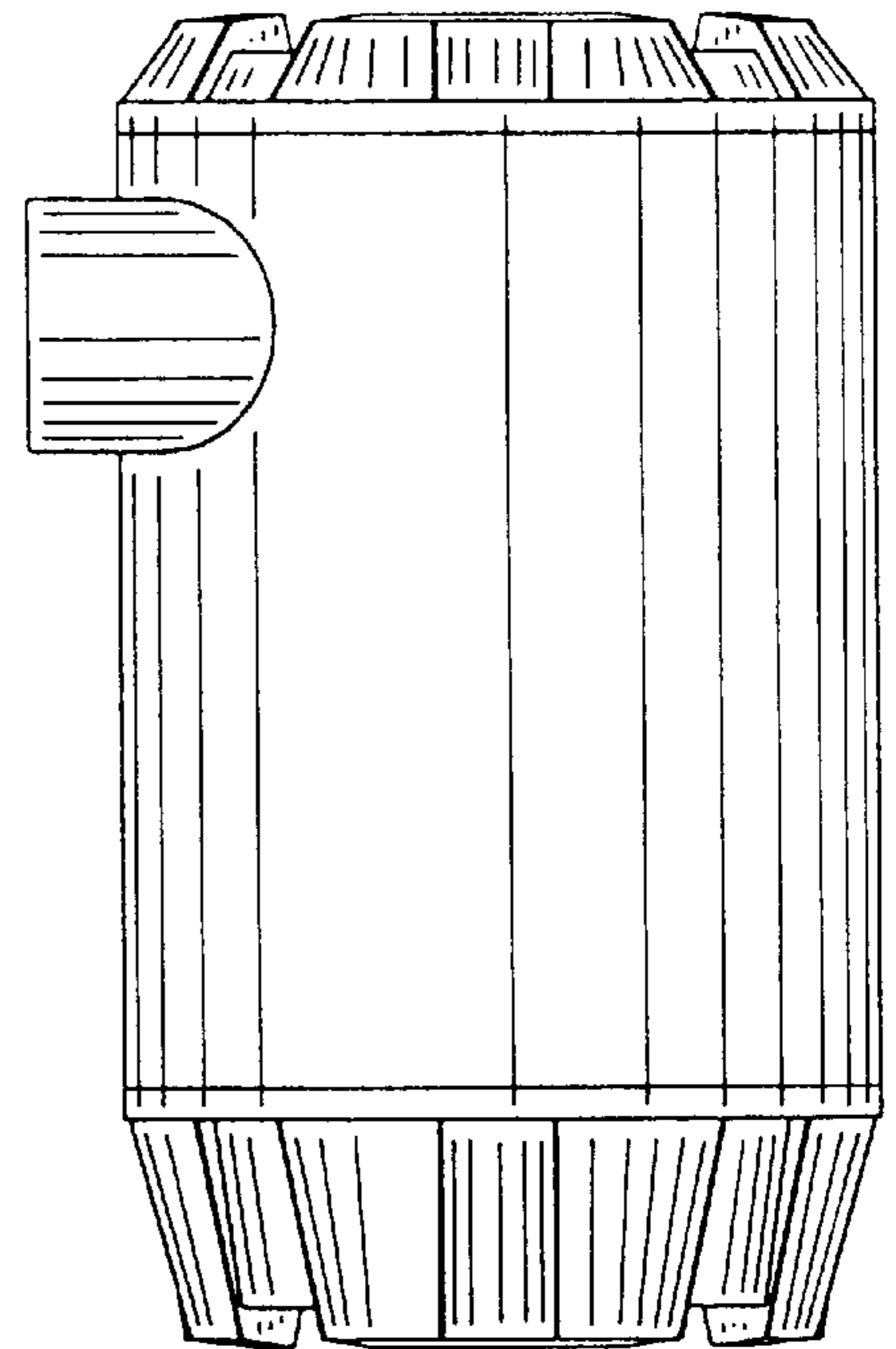


FIG. 3

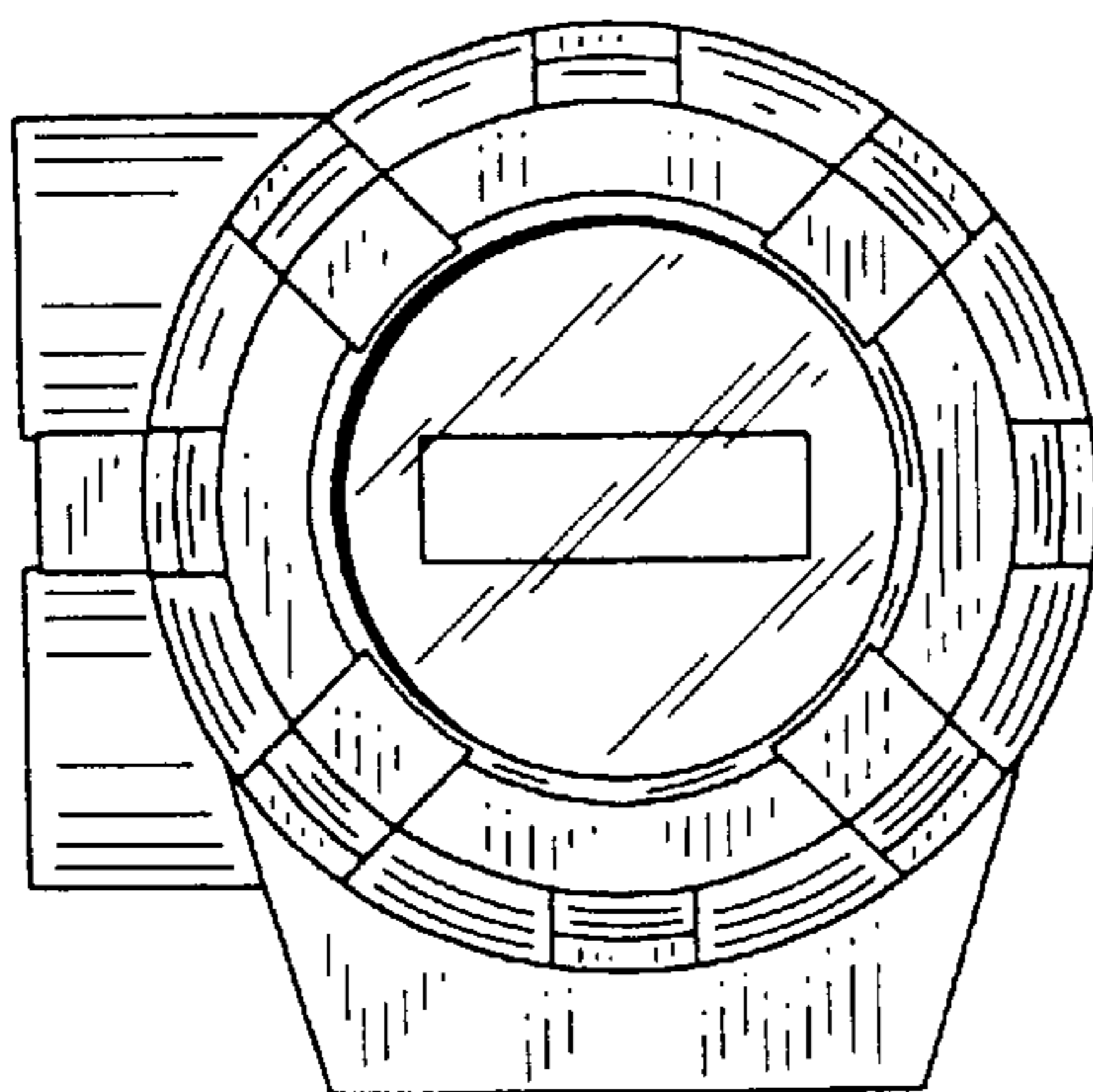


FIG. 4

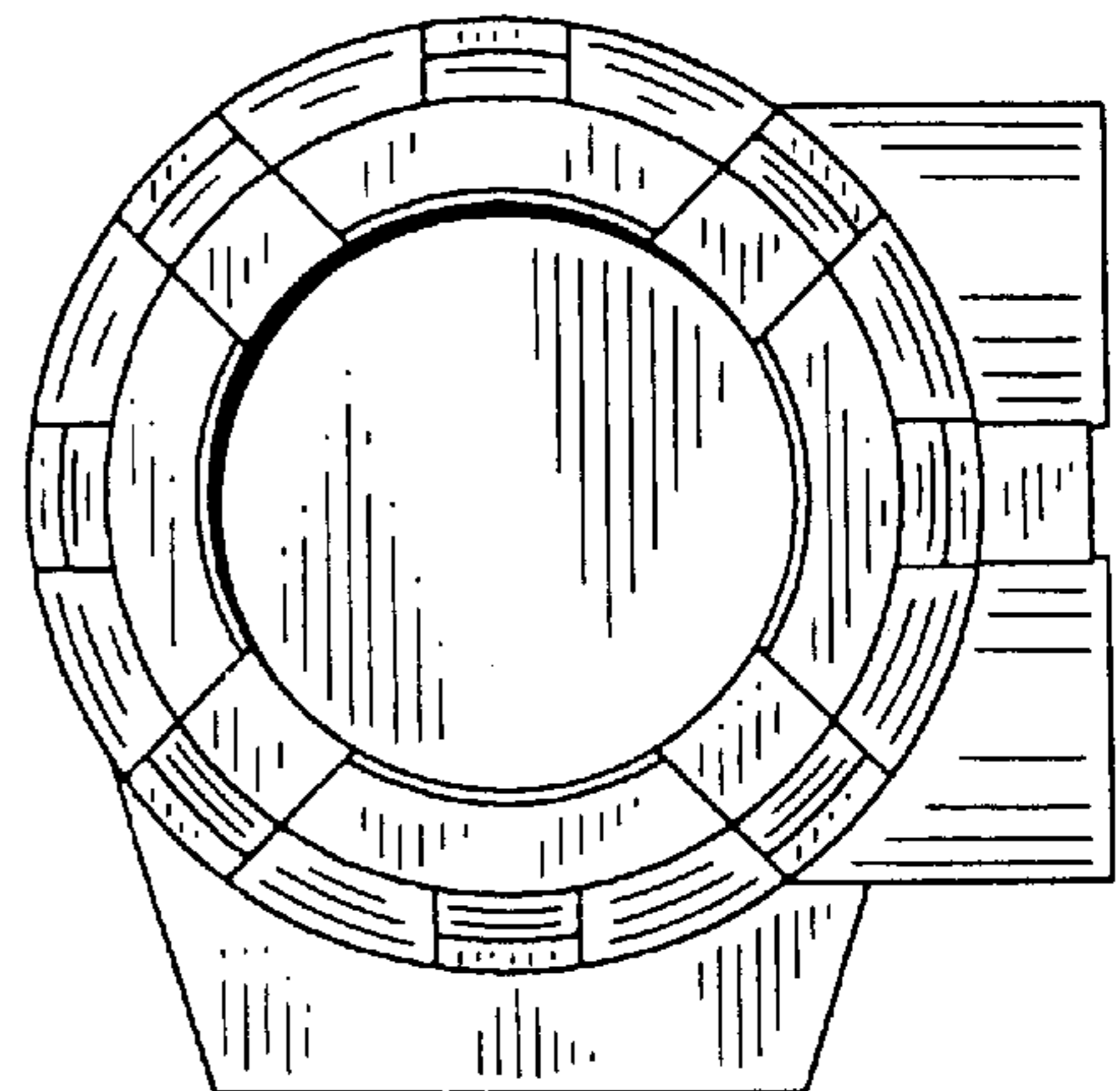


FIG. 5

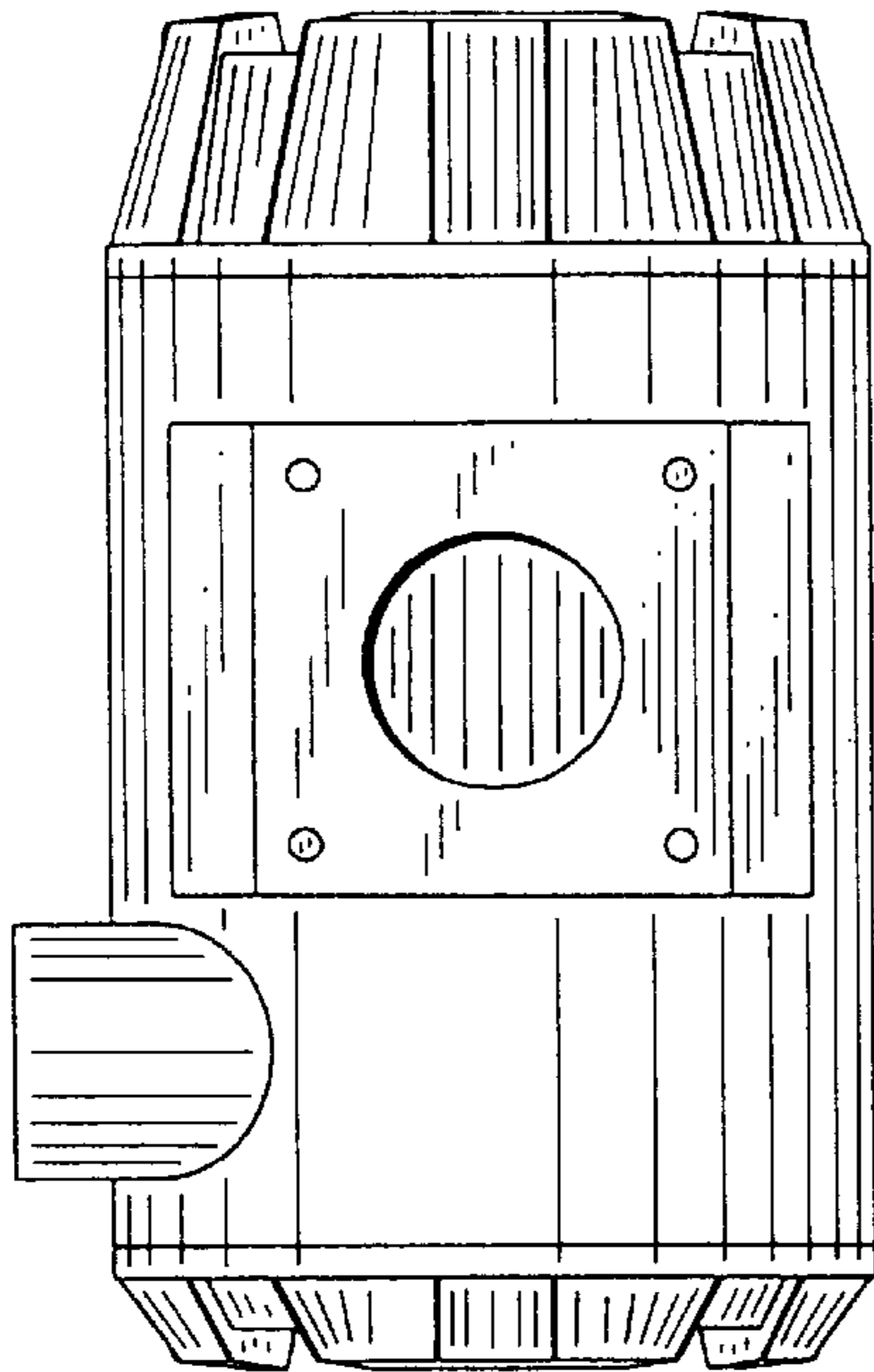


FIG. 6

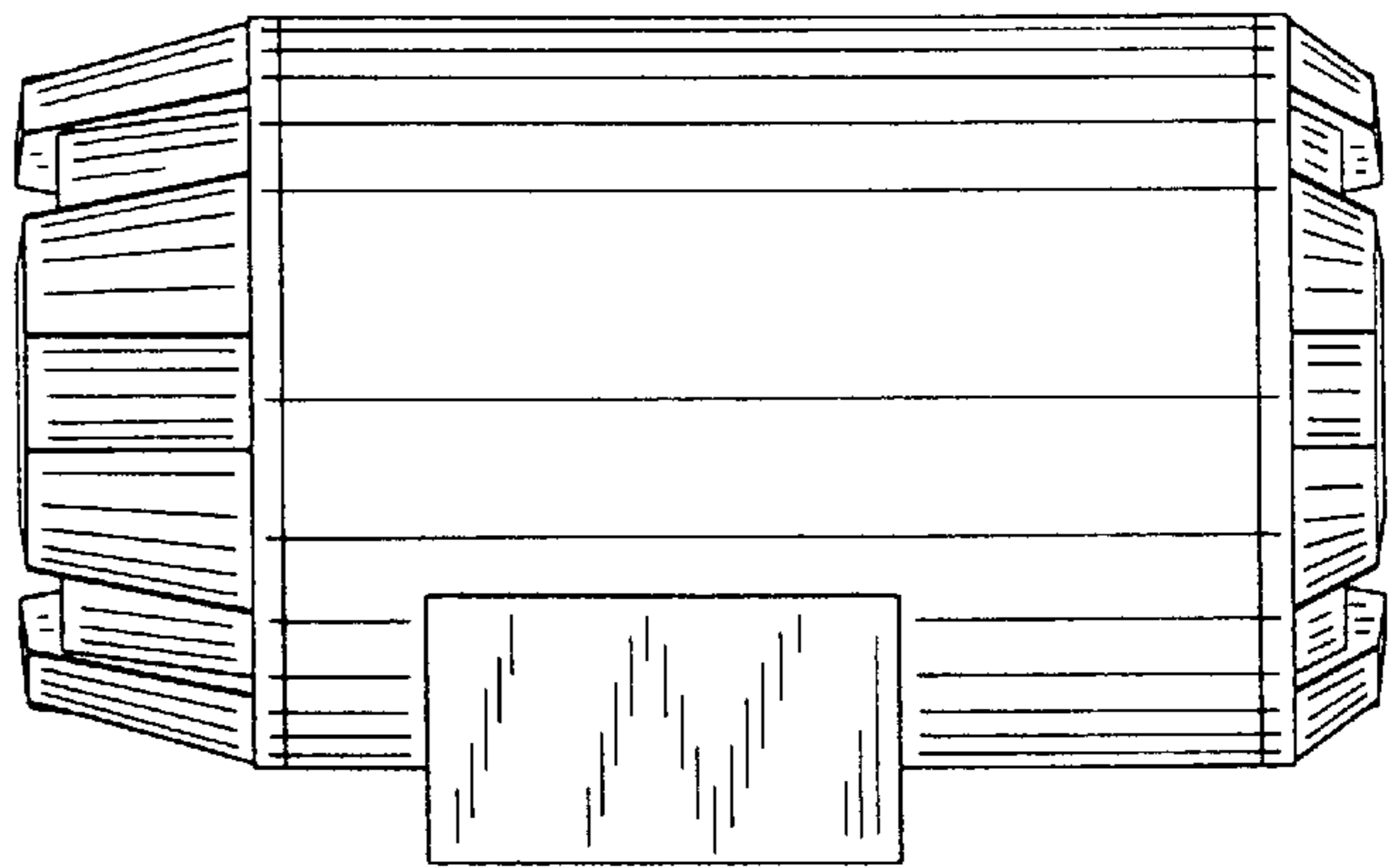


FIG. 7

