



US00D407654S

United States Patent [19] Rayon

[11] **Patent Number: Des. 407,654**

[45] **Date of Patent: **Apr. 6, 1999**

[54] **WRIST MOUNTED RECORDABLE TELEPHONE**

[76] Inventor: **David Rayon**, 5806 Woodbine Ave., Philadelphia, Pa. 19131

[**] Term: **14 Years**

[21] Appl. No.: **78,822**

[22] Filed: **Oct. 31, 1997**

[51] **LOC (6) Cl. 10-02**

[52] **U.S. Cl. D10/31**

[58] **Field of Search** D10/1-40, 122-132; D14/192, 218, 167-171, 191, 179; 368/280-282, 82-84, 276-277, 239-242, 285, 10; 455/100, 344, 350

[56] **References Cited**

U.S. PATENT DOCUMENTS

D. 317,158	5/1991	Wingate	D14/167
D. 358,553	5/1995	Murakami et al.	D10/31
4,419,770	12/1983	Yagi	455/350 X
4,450,495	5/1984	Naruki	455/350 X
4,535,783	8/1985	Marangoni	128/711

4,733,383	3/1988	Waterbury	368/10
5,008,864	4/1991	Yoshitake	368/10
5,214,623	5/1993	Seager	368/10
5,239,521	8/1993	Blonder	368/10
5,381,387	1/1995	Blonder	368/10
5,646,912	7/1997	Cousin	368/10

Primary Examiner—Nelson C. Holtje
Attorney, Agent, or Firm—Goldstein & Canino

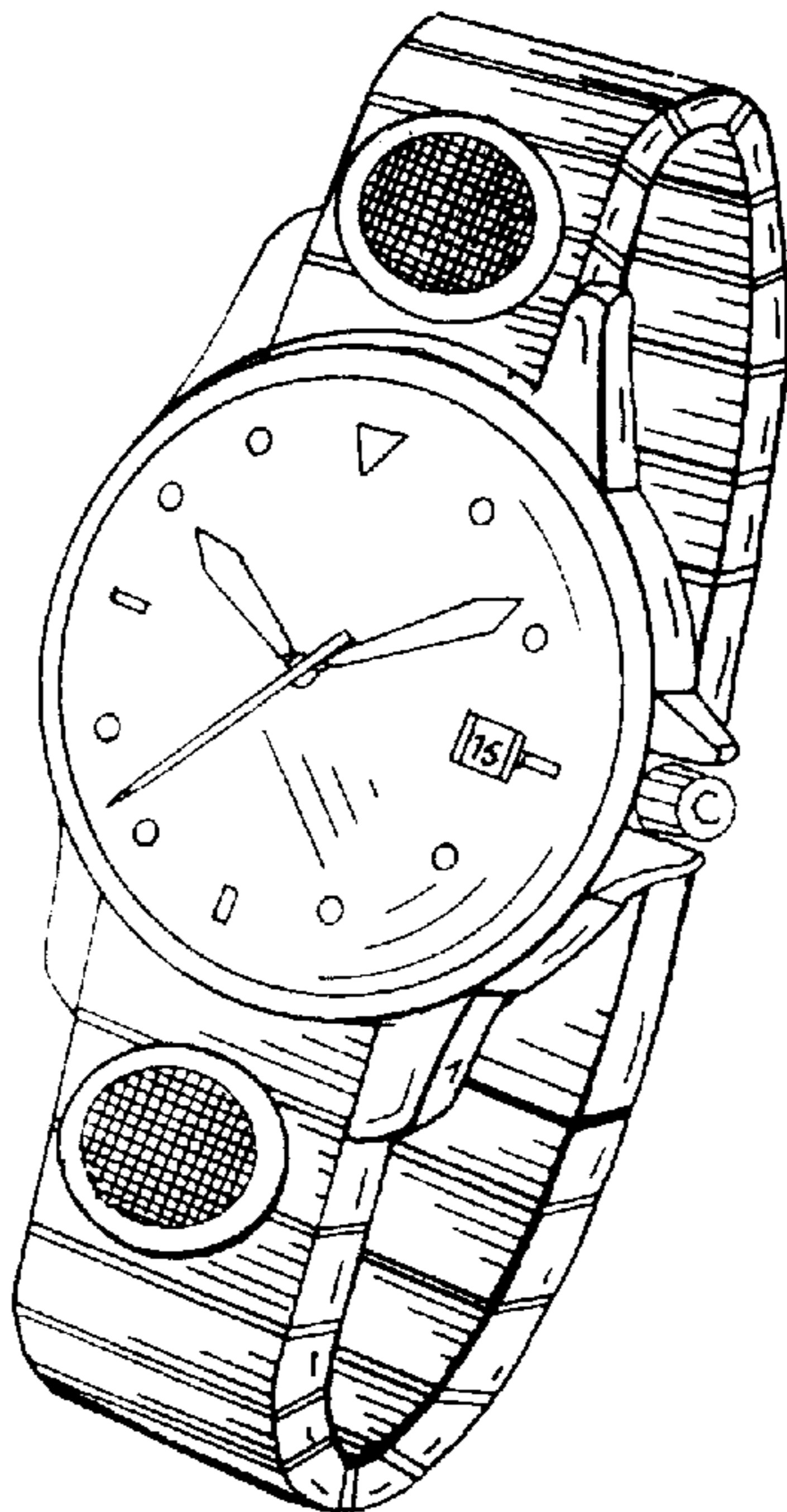
[57] **CLAIM**

The ornamental design for a wrist mounted recordable telephone, as shown and described.

DESCRIPTION

FIG. 1 is a diagrammatic perspective of the wrist mounted recordable telephone;
FIG. 2 is a front elevational view thereof;
FIG. 3 is a rear elevational view thereof;
FIG. 4 is top plan view thereof;
FIG. 5 is a bottom plan view thereof;
FIG. 6 is a left side elevational view of the wrist mounted recordable telephone; and,
FIG. 7 is a right side elevational view thereof.

1 Claim, 4 Drawing Sheets



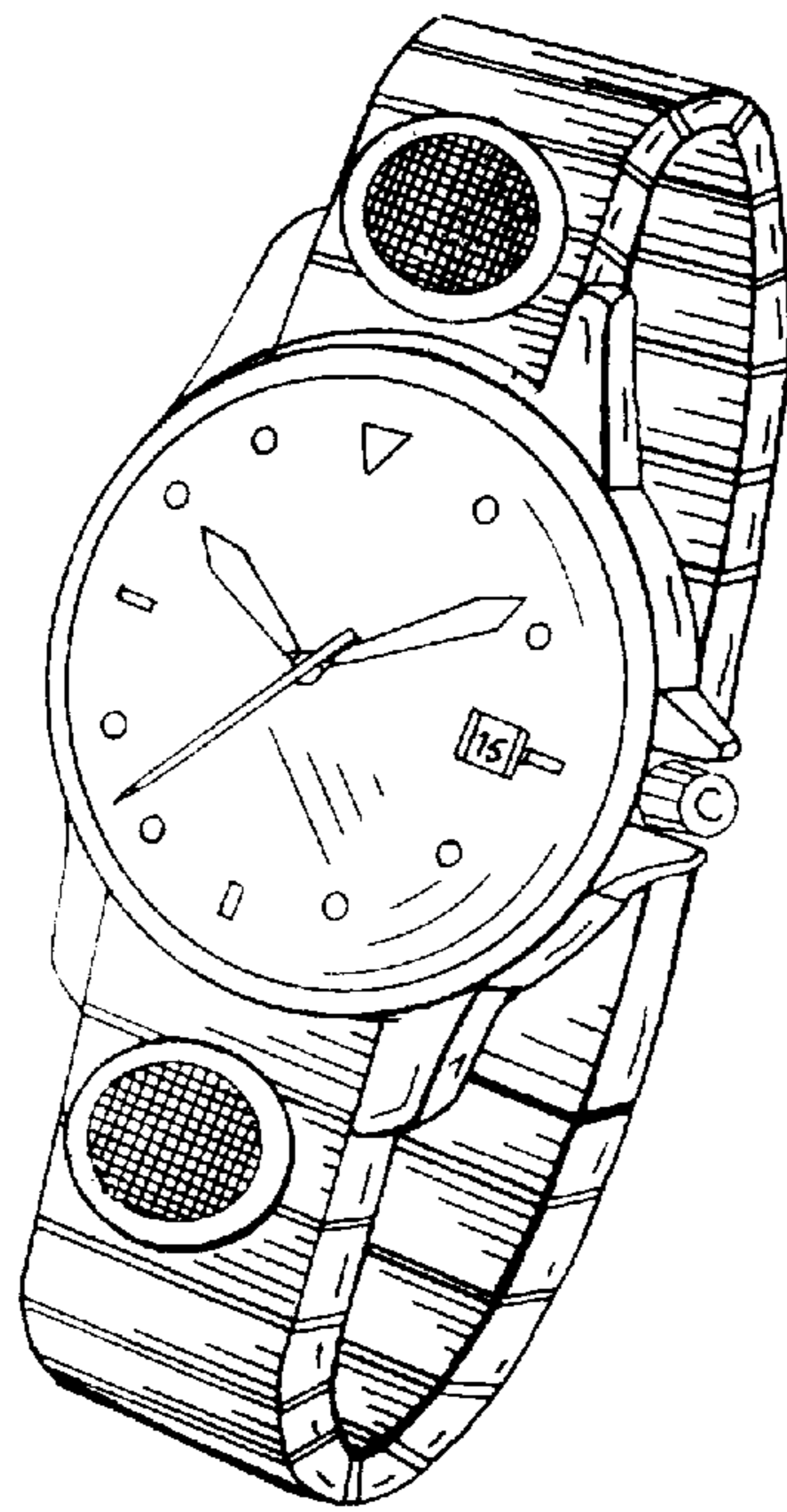


FIG. 1

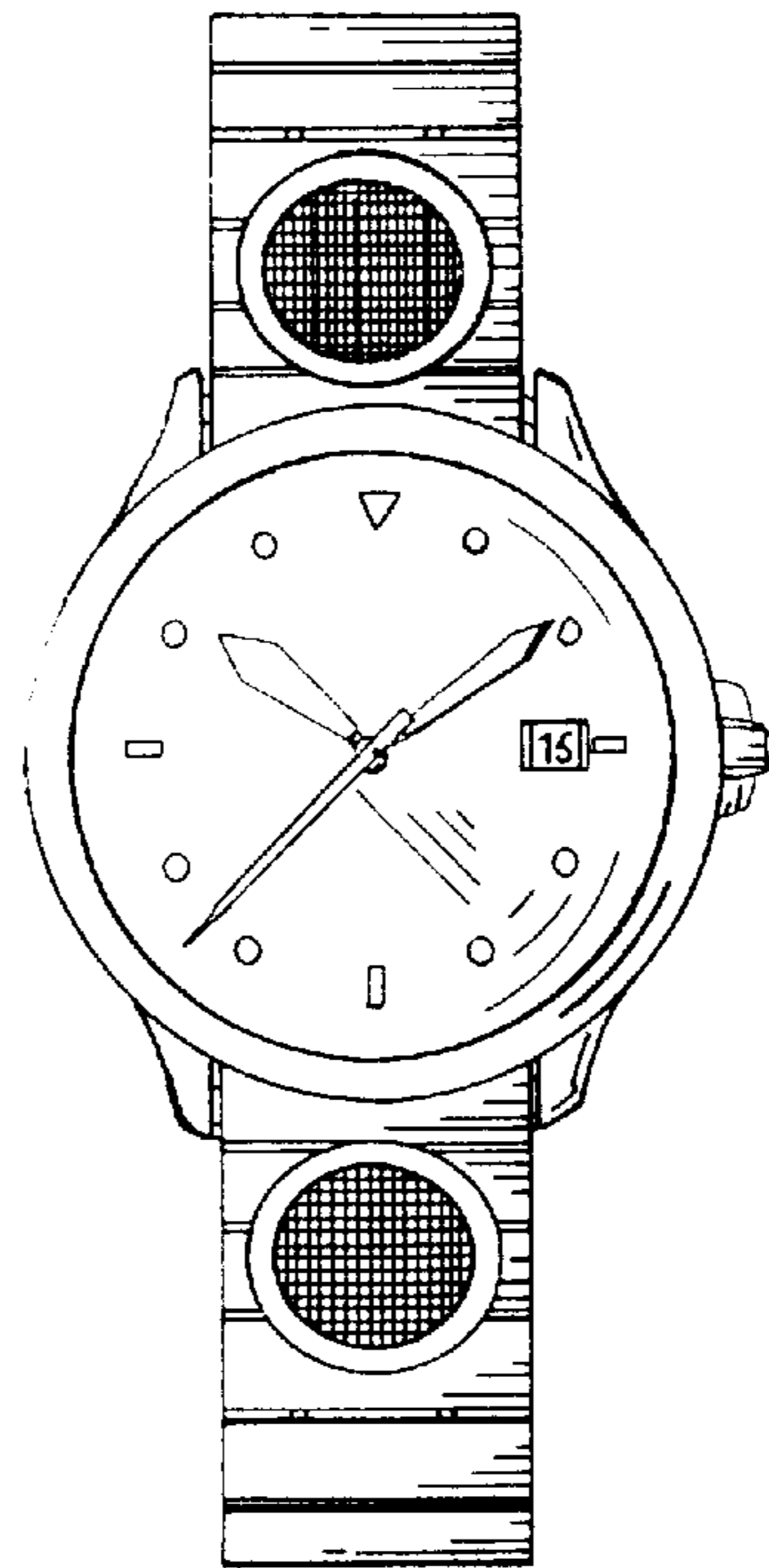


FIG. 2

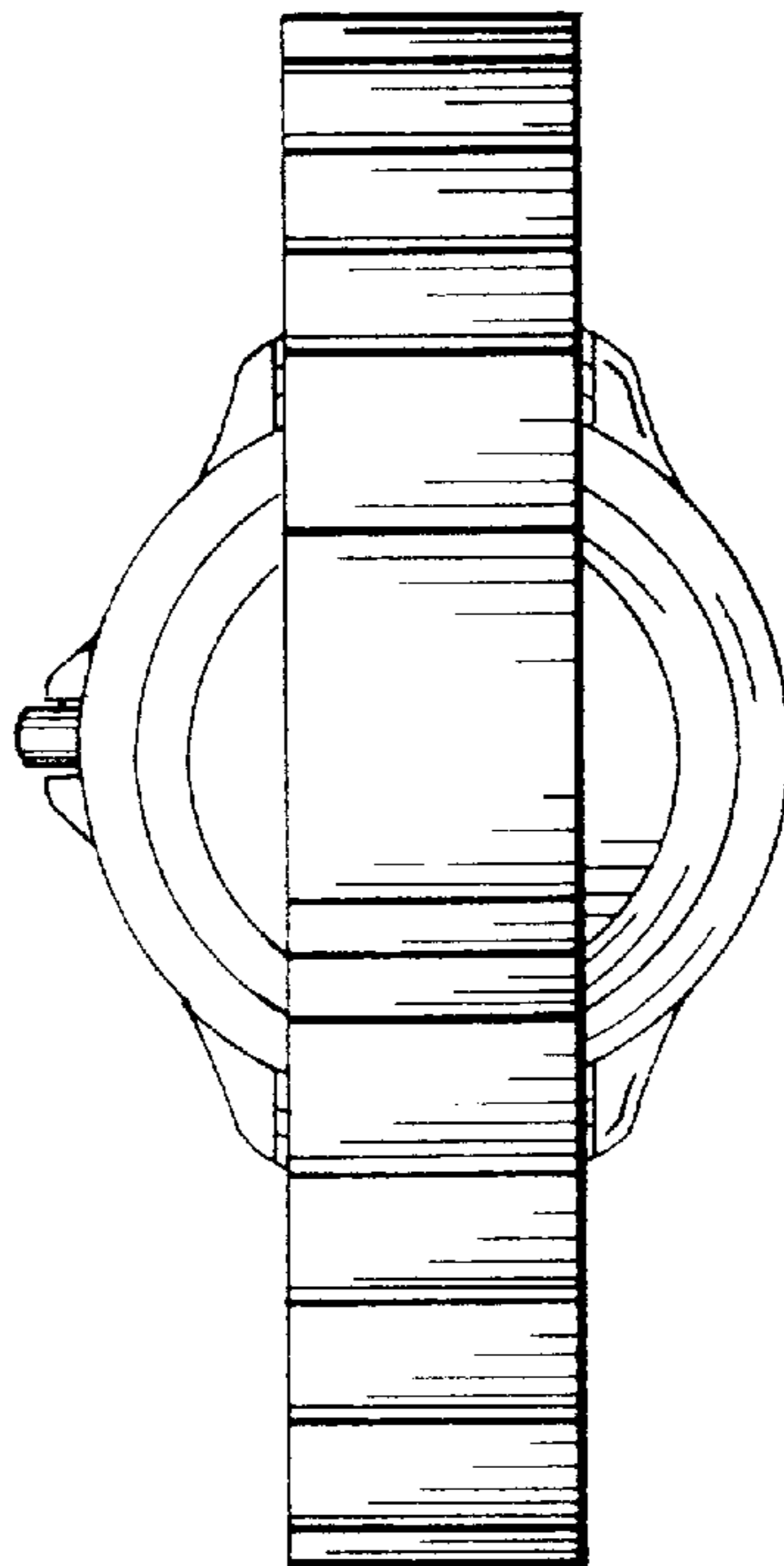


FIG. 3

FIG. 4

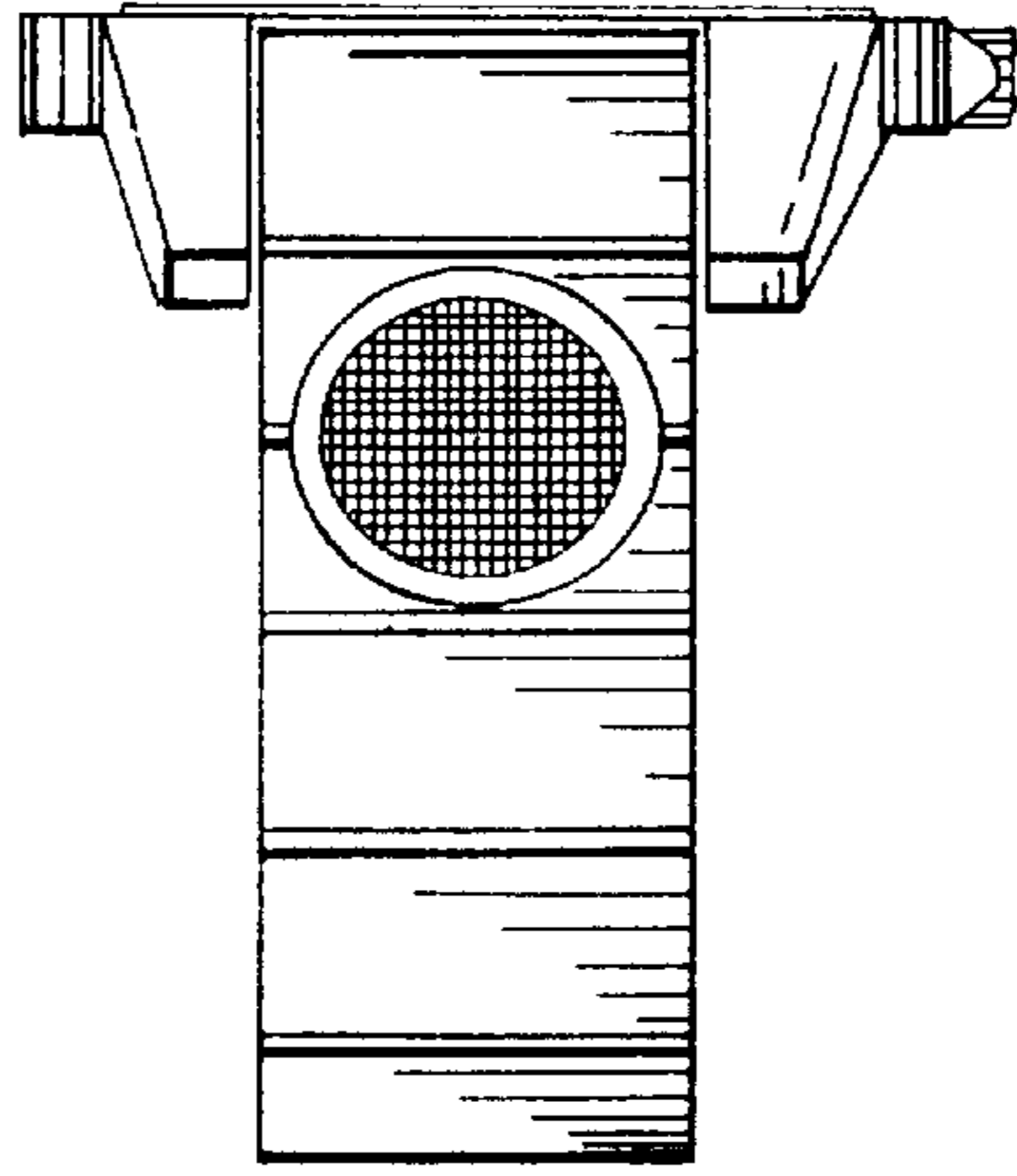


FIG. 5

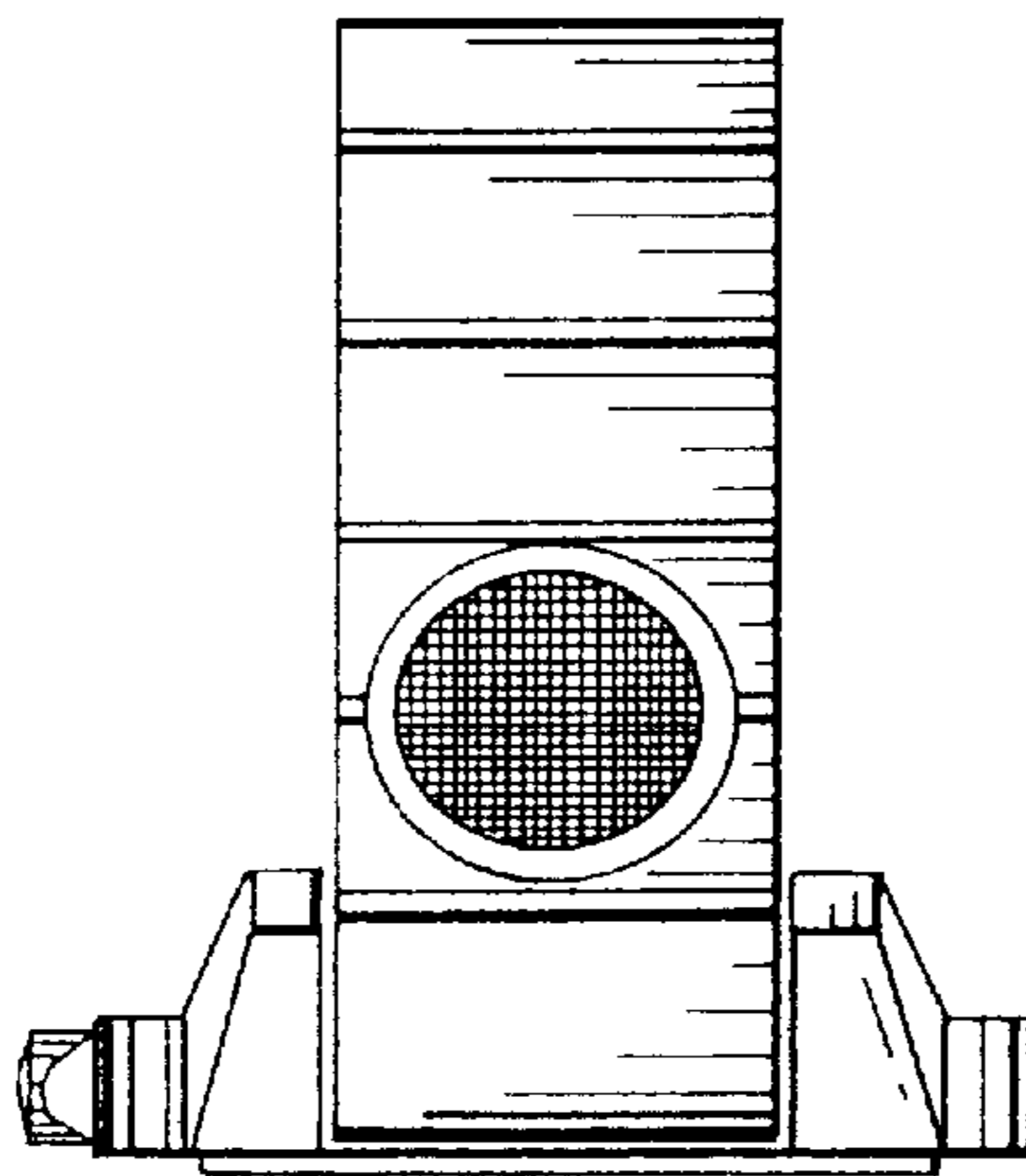


FIG. 6

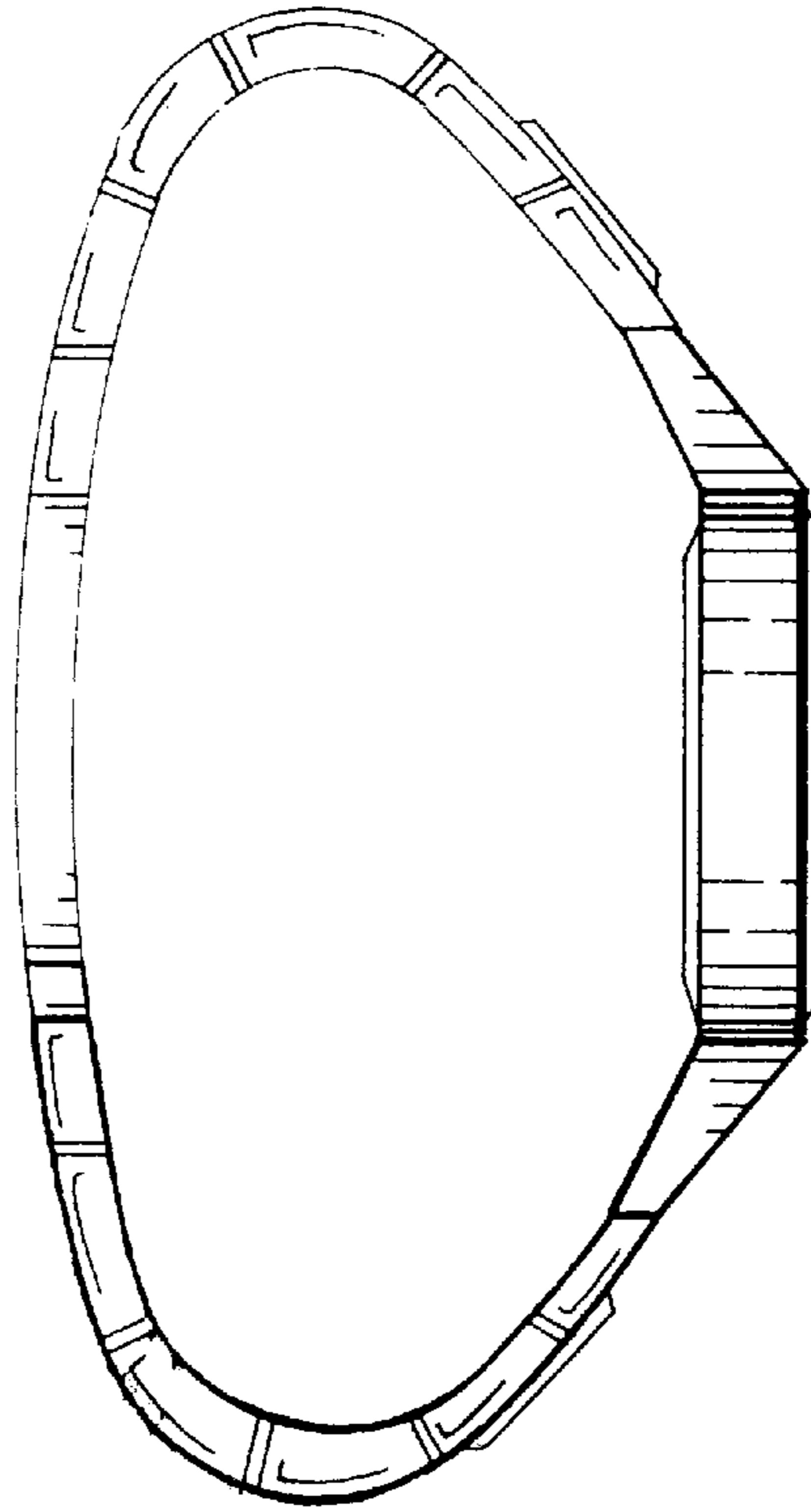


FIG. 7

