



US00D407653S

United States Patent [19]
Long

[11] **Patent Number: Des. 407,653**

[45] **Date of Patent: **Apr. 6, 1999**

[54] **CLOCK HOUSING**

[76] Inventor: **Robert J. Long**, 952 McPhee Dr., Lake in the Hills, Ill. 60102

[**] Term: **14 Years**

[21] Appl. No.: **73,234**

[22] Filed: **Jul. 11, 1997**

[51] **LOC (6) Cl. 10-01**

[52] **U.S. Cl. D10/6; D6/634; 206/310**

[58] **Field of Search D10/1, 2, 6, 22-23; 368/10, 285; 206/310; D6/634**

[56] **References Cited**

U.S. PATENT DOCUMENTS

D. 304,880	12/1989	Philosophe	D6/634
D. 324,609	3/1992	Yasuhara	D6/634
D. 335,215	5/1993	Stumpff	D6/634
D. 347,320	5/1994	Du Corday	D6/634
D. 347,727	6/1994	Du Corday	D6/634
D. 358,521	5/1995	Taniyama	D6/634
D. 363,433	10/1995	Caraballo	D10/6
D. 384,286	9/1997	Abbott	D10/6
D. 388,652	1/1998	Citien	D6/634 X
5,381,894	1/1995	Misterka	206/310

Primary Examiner—Nelson C. Holtje
Attorney, Agent, or Firm—Speckman Pauley Petersen & Fejer

[57] **CLAIM**

The ornamental design of a clock housing, as shown and described.

DESCRIPTION

FIG. 1 is a perspective view of a clock housing mounted in an enclosure which has two doors with transparent faces that pivot with respect to a central frame member, wherein clock hands are shown in dashed lines;

FIG. 2 is a front view of the clock housing, as shown in FIG. 1;

FIG. 3 is a rear view of the clock housing, wherein a housing for a clock timing mechanism is shown in dashed lines, as shown in FIG. 1;

FIG. 4 is a side view of the clock housing, as shown in FIG. 1;

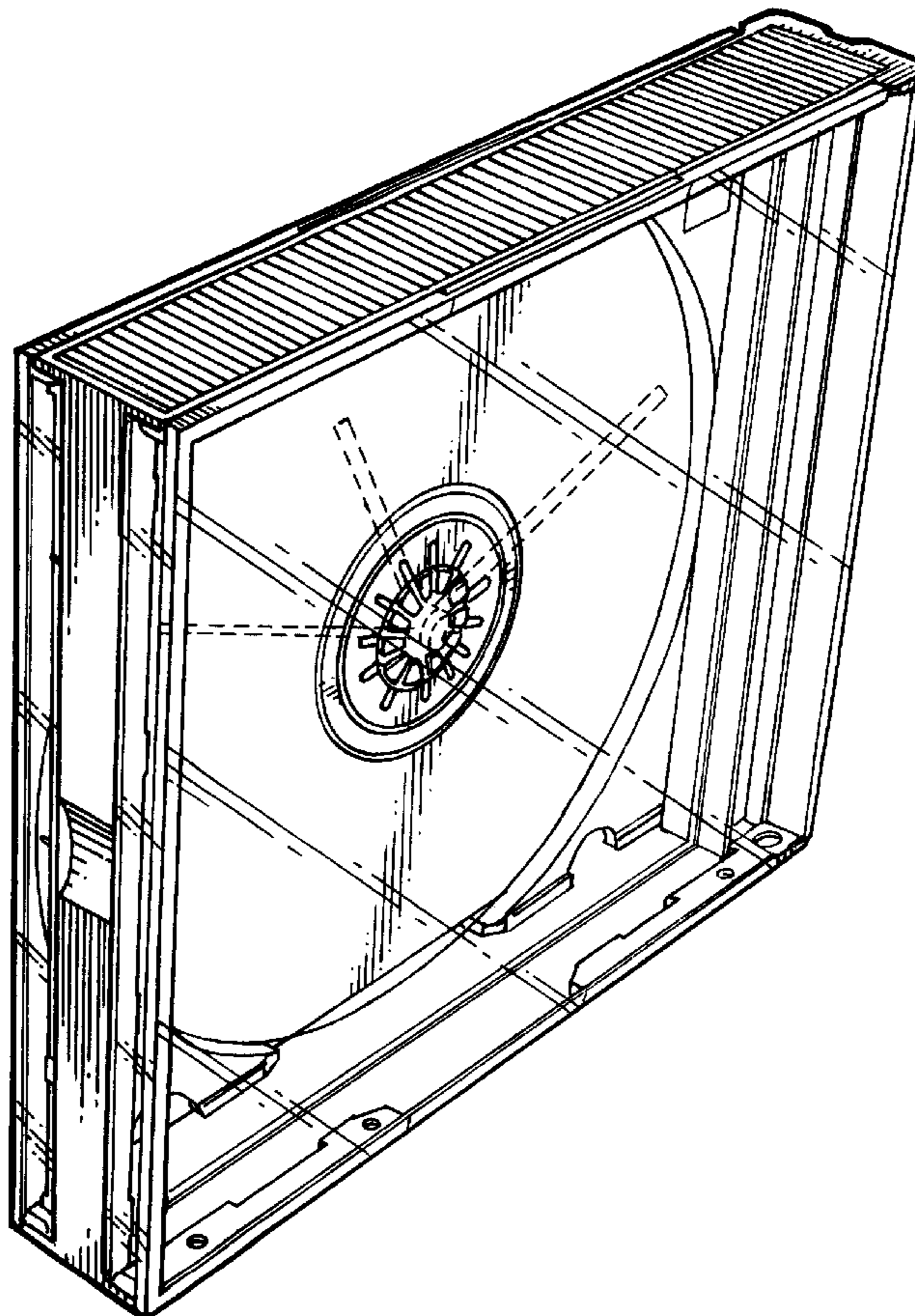
FIG. 5 is a side view, opposite the side view shown in FIG. 4, of the clock housing, as shown in FIG. 1;

FIG. 6 is a top view of the clock housing, as shown in FIG. 1; and,

FIG. 7 is a bottom view of the clock housing, as shown in FIG. 1.

The broken line showings of clock mechanisms are for illustrative purposes only and form no part of the claimed design.

1 Claim, 7 Drawing Sheets



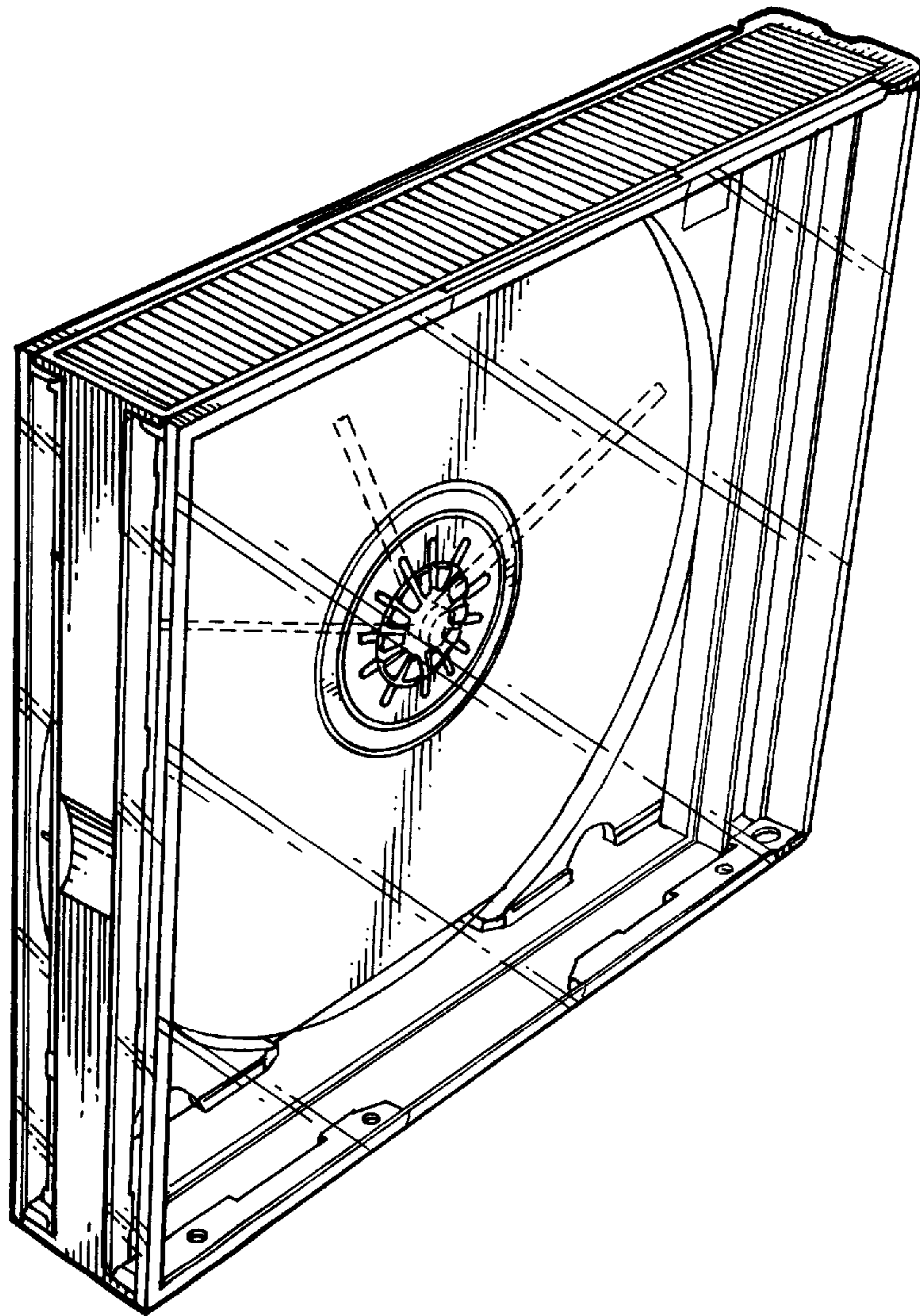


FIG. 1

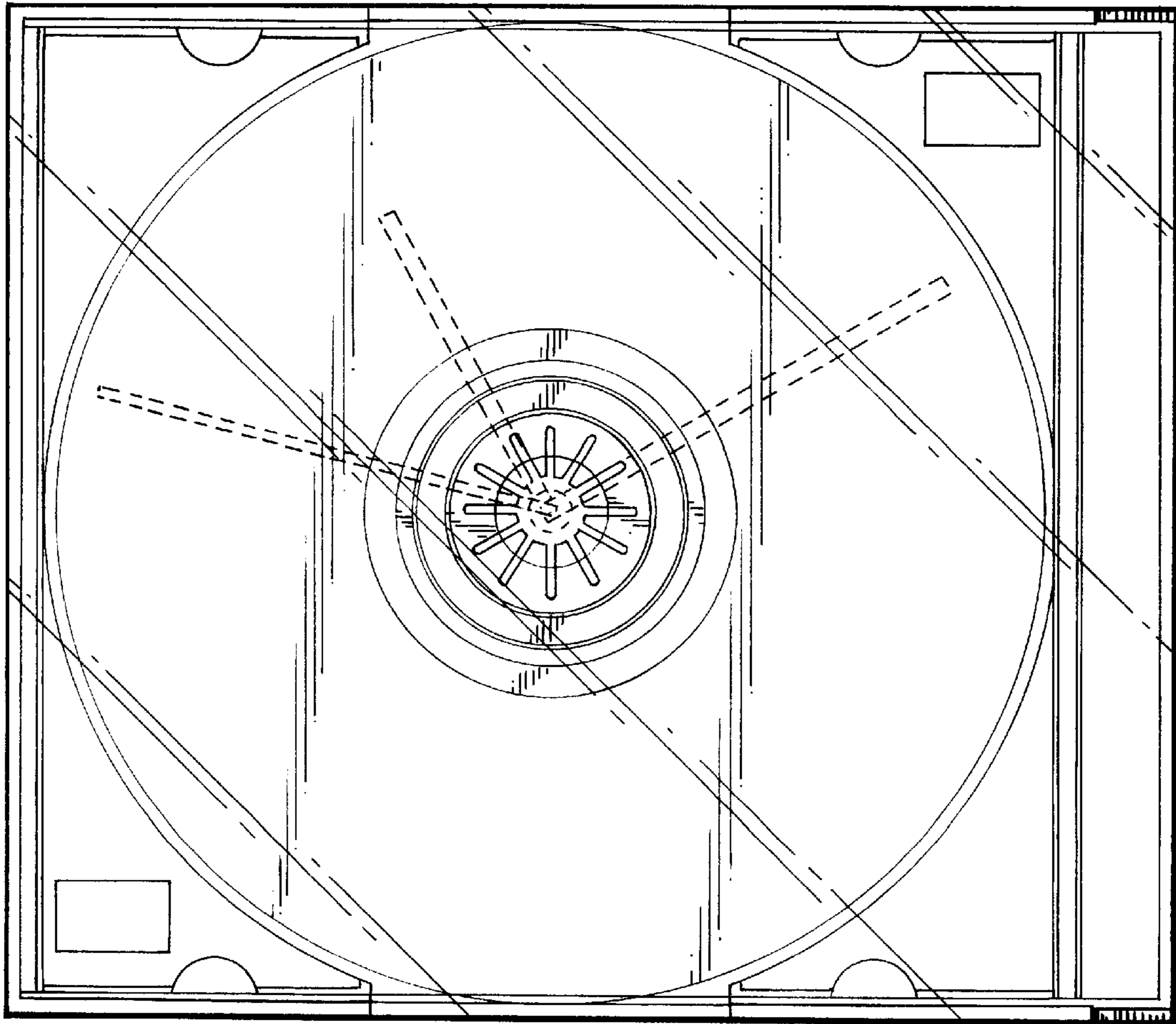


FIG. 2

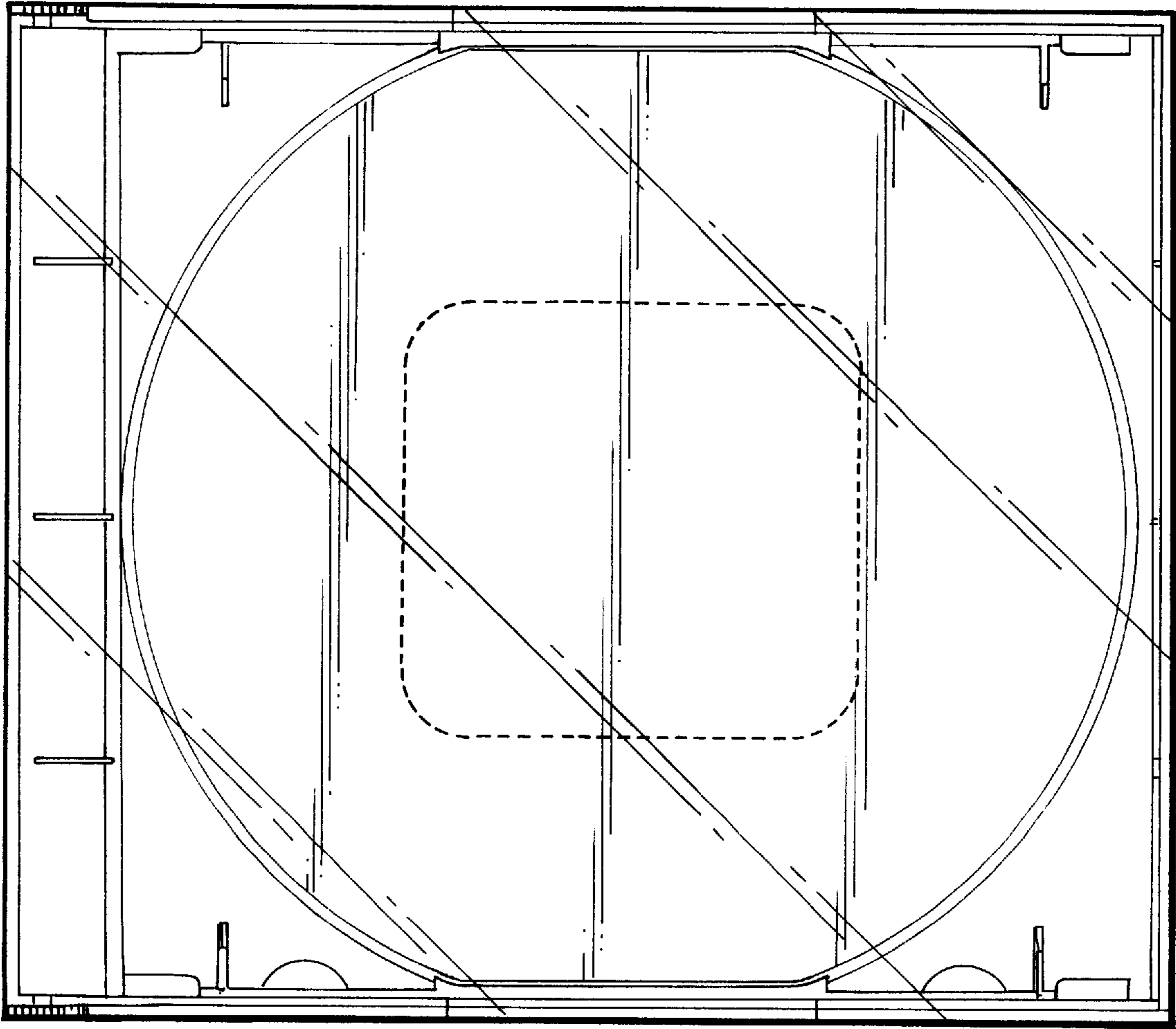


FIG. 3

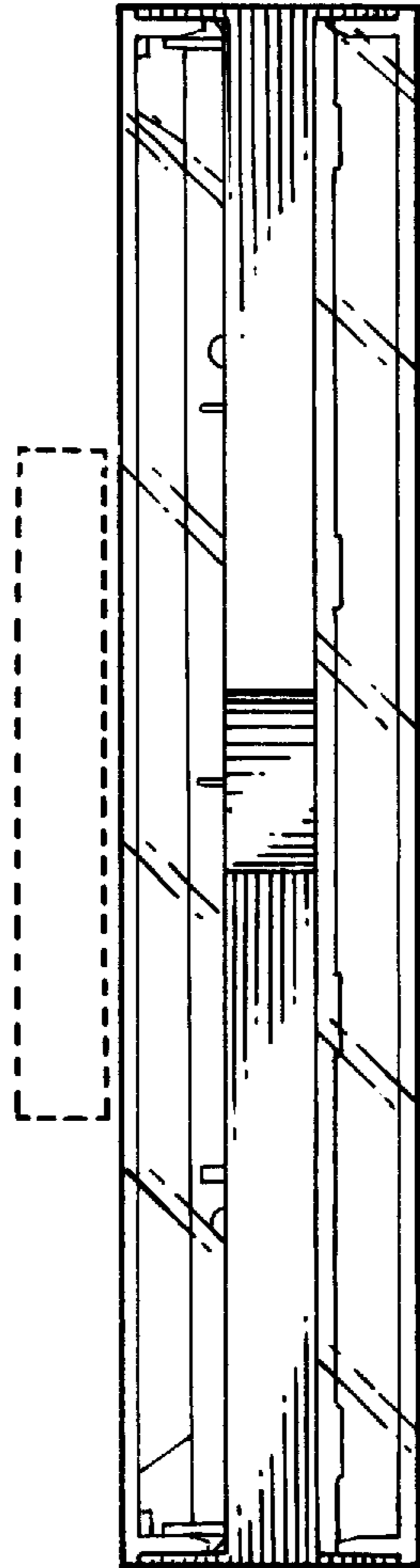


FIG. 4

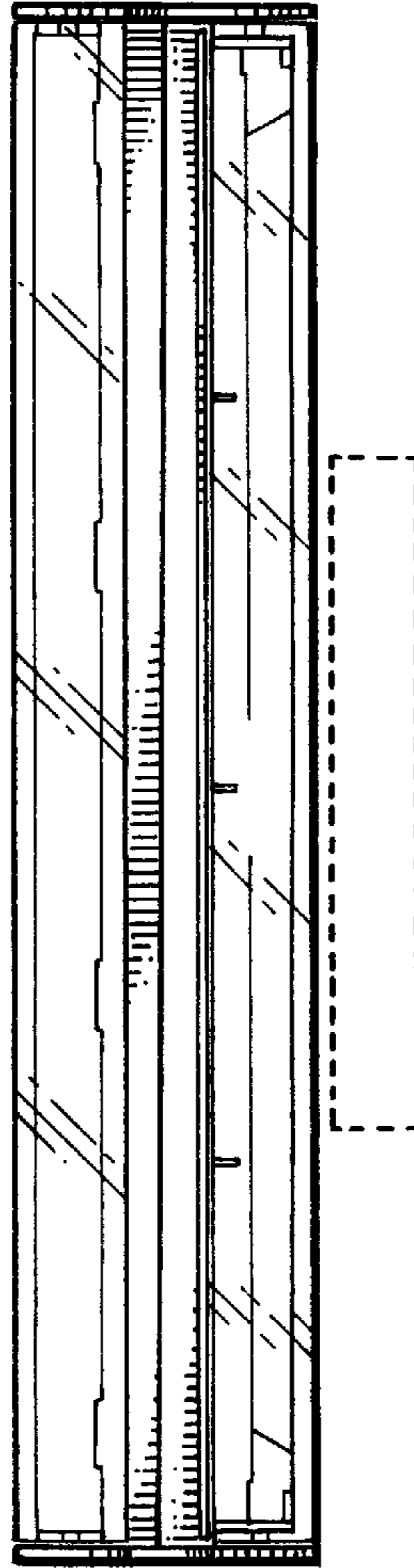


FIG. 5

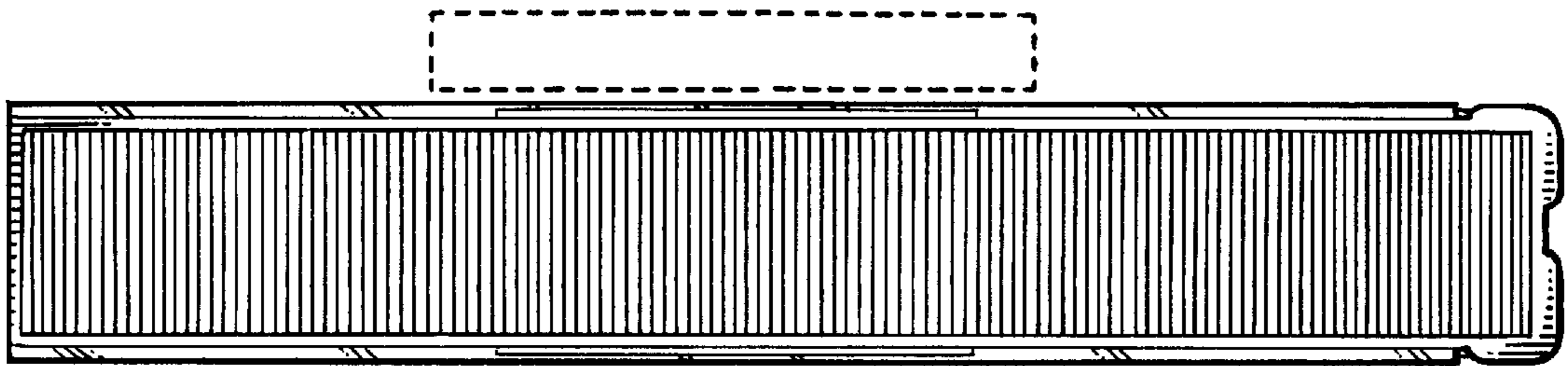


FIG. 6

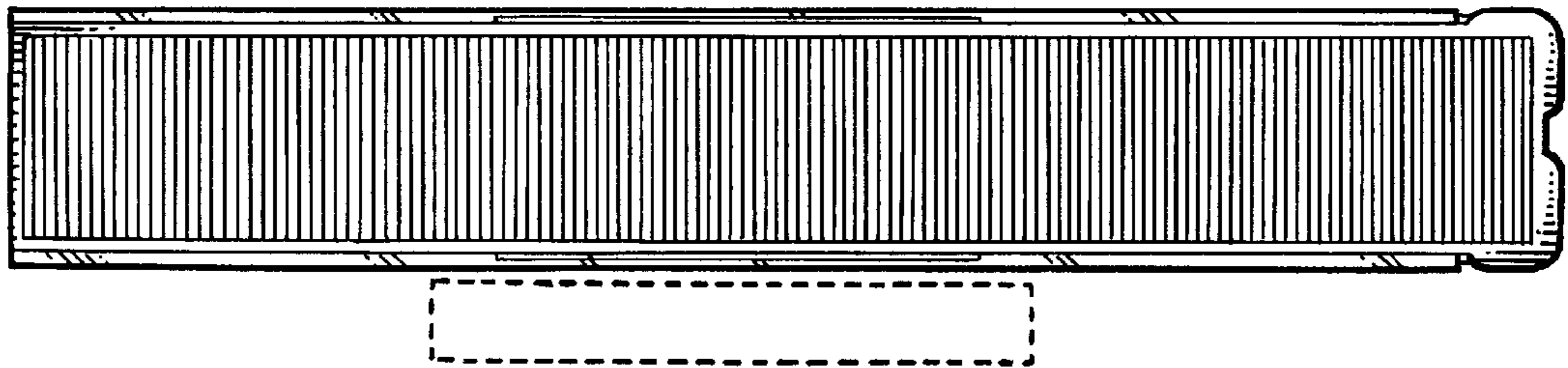


FIG. 7