



US00D407648S

United States Patent [19]

[11] Patent Number: **Des. 407,648**

Glaser et al.

[45] Date of Patent: ****Apr. 6, 1999**

[54] BOTTLE

[75] Inventors: **Steven L. Glaser; Tony Michael Guard; Anthony P. Hyun; Steven J. Klein**, all of Cincinnati, Ohio; **Christopher Rowe**, Chicago, Ill.; **Tessa D. Parrick Westermeyer**, Cincinnati, Ohio

[73] Assignee: **Stokely-Van Camp, Inc.**, Chicago, Ill.

[**] Term: **14 Years**

[21] Appl. No.: **61,795**

[22] Filed: **Aug. 7, 1996**

Related U.S. Application Data

[63] Continuation of Ser. No. 28,814, Sep. 22, 1994, abandoned.

[51] LOC (6) Cl. **09-01**

[52] U.S. Cl. **D9/500; D9/538**

[58] Field of Search D9/500, 503, 538, D9/539, 540, 558, 545; 215/382, 383, 384

[56] References Cited

U.S. PATENT DOCUMENTS

- D. 184,207 1/1959 Baird D9/500
- D. 188,074 5/1960 Wunderly D58/8
- D. 225,510 12/1972 Strand D9/538
- D. 230,136 1/1974 Strand D9/158
- D. 234,292 2/1975 Plummer D9/119
- D. 237,944 12/1975 Taylor et al. D9/100
- D. 239,921 5/1976 Taylor et al. D9/100
- D. 241,713 10/1976 Plummer D9/100
- D. 241,715 10/1976 Plummer D9/500
- D. 242,527 11/1976 Plummer D9/500
- D. 245,068 7/1977 Ruriani D9/503
- D. 246,896 1/1978 Plummer D9/100
- D. 256,991 9/1980 Strand D9/100
- D. 260,239 8/1981 Barrash D9/395

- D. 292,269 10/1987 Jacobs et al. D9/349
- D. 293,888 1/1988 Rogler D9/500
- D. 294,224 2/1988 Rogler et al. D9/392
- D. 315,869 4/1991 Collette D9/392
- D. 316,966 5/1991 York D9/390
- D. 320,154 9/1991 Alberghini et al. D9/370
- D. 334,342 3/1993 Thompson D9/502
- D. 345,693 4/1994 Edstrom D9/332
- D. 348,606 7/1994 Edstrom D9/332
- D. 379,150 5/1997 Richardson D9/500
- D. 379,306 5/1997 Peykoff D9/502
- D. 382,806 8/1997 Wilson et al. D9/502
- 4,863,046 9/1989 Collette et al. 215/1 C

FOREIGN PATENT DOCUMENTS

- 0494098 7/1992 European Pat. Off. B29C 49/08
- 1009146 1/1989 Japan B65D 1/02

Primary Examiner—Lucy Lieberman
Attorney, Agent, or Firm—Lars S. Johnson; Carolyn M. Sloane

[57] CLAIM

The ornamental design for a bottle, as shown and described.

DESCRIPTION

FIG. 1 is a perspective view of a bottle embodying our new design;
 FIG. 2 is a top plan view thereof;
 FIG. 3 is a bottom plan view thereof;
 FIG. 4 is a side elevation thereof, the front, rear and opposite side of the claimed design are the same as the side shown in FIG. 4; and,
 FIG. 5 is another side elevational view thereof representing a rotation of the bottle about its verticle center axis from the side elevational view depicted in FIG. 4.
 The broken lines showing a bottle neck in FIGS. 1,2,4 and 5 are for illustrative purposes only and do not form part of the claimed design.

1 Claim, 2 Drawing Sheets

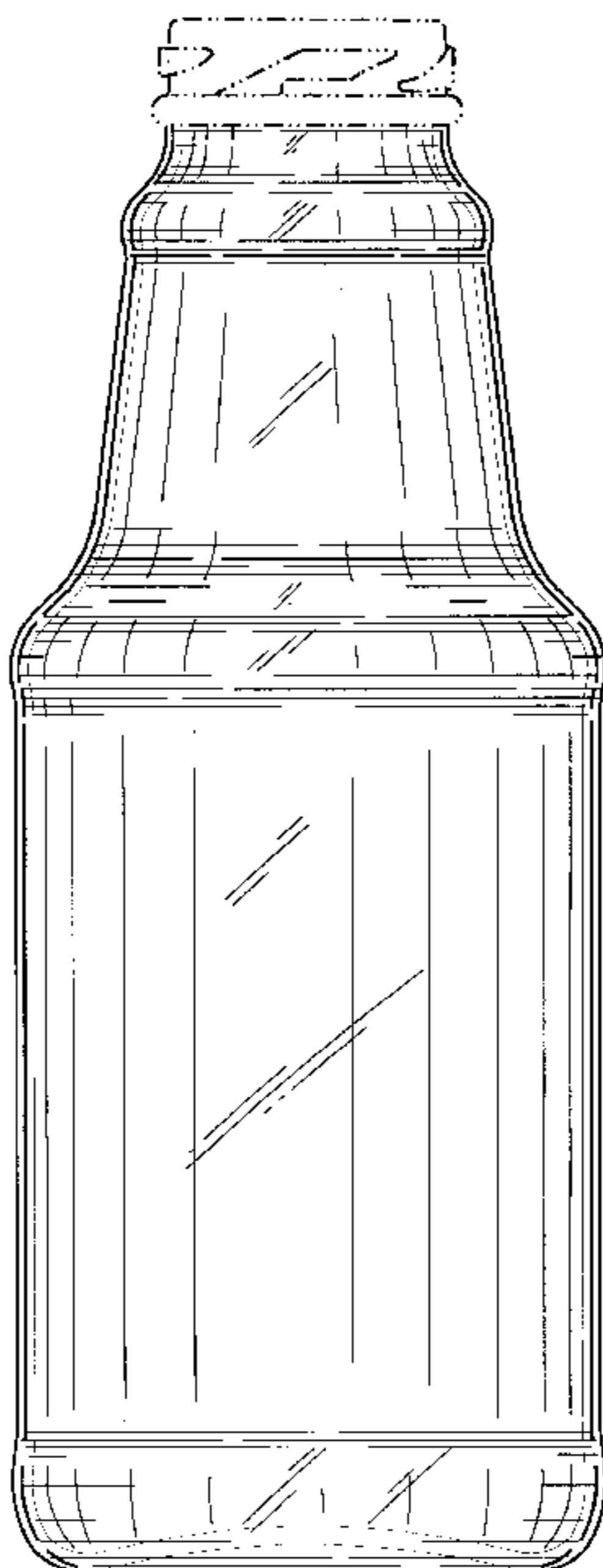


FIG. 1

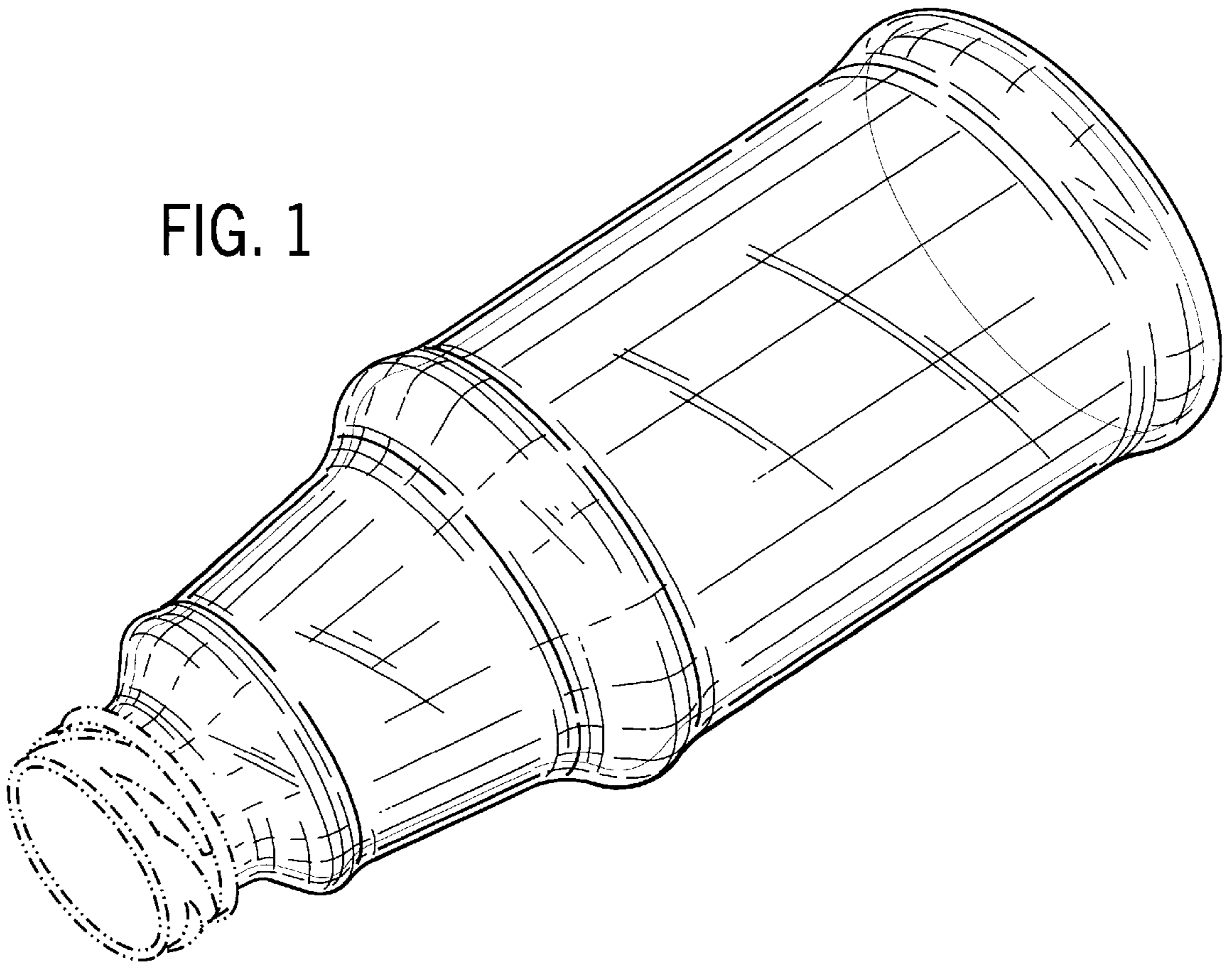


FIG. 2

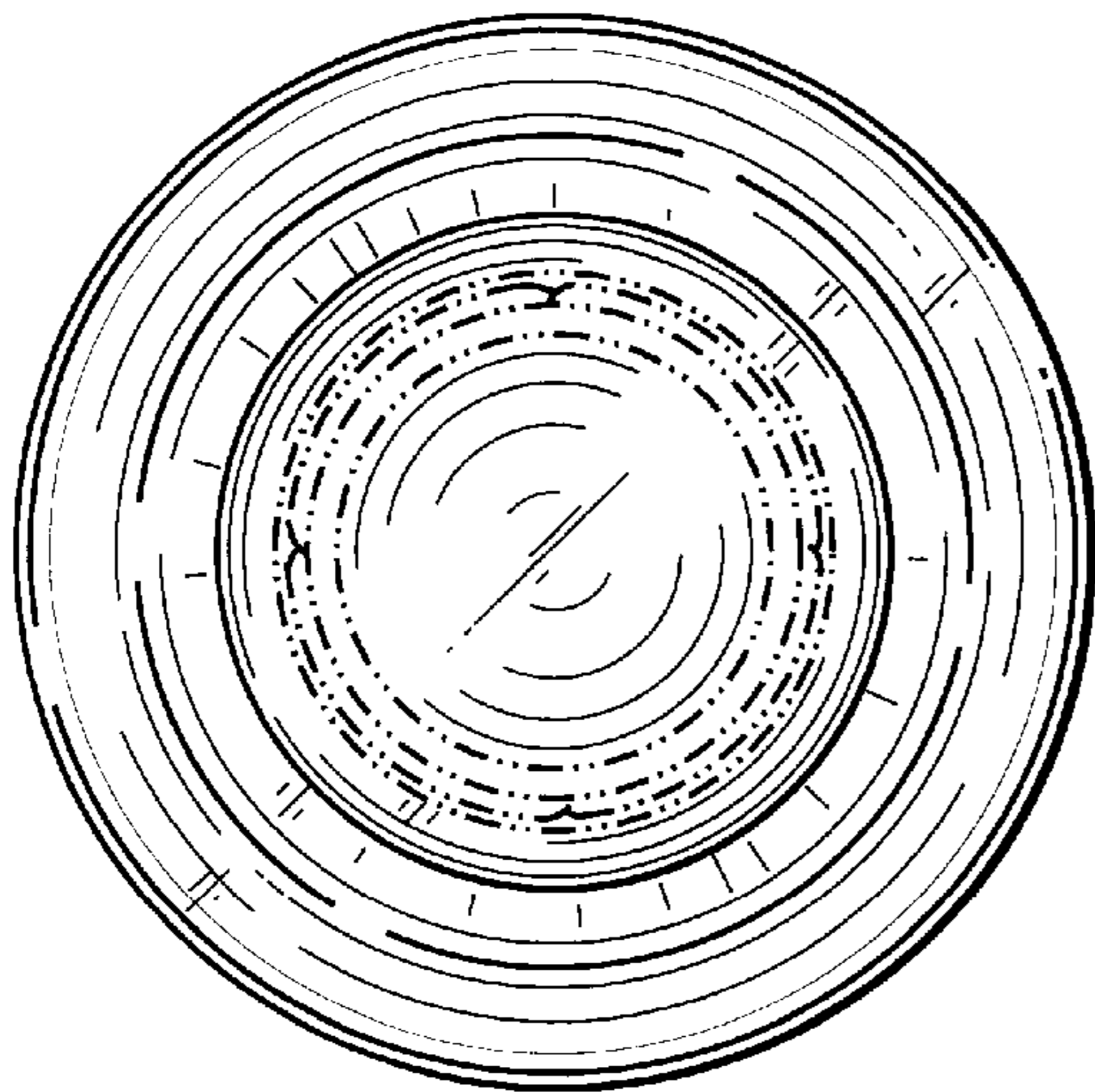


FIG. 3

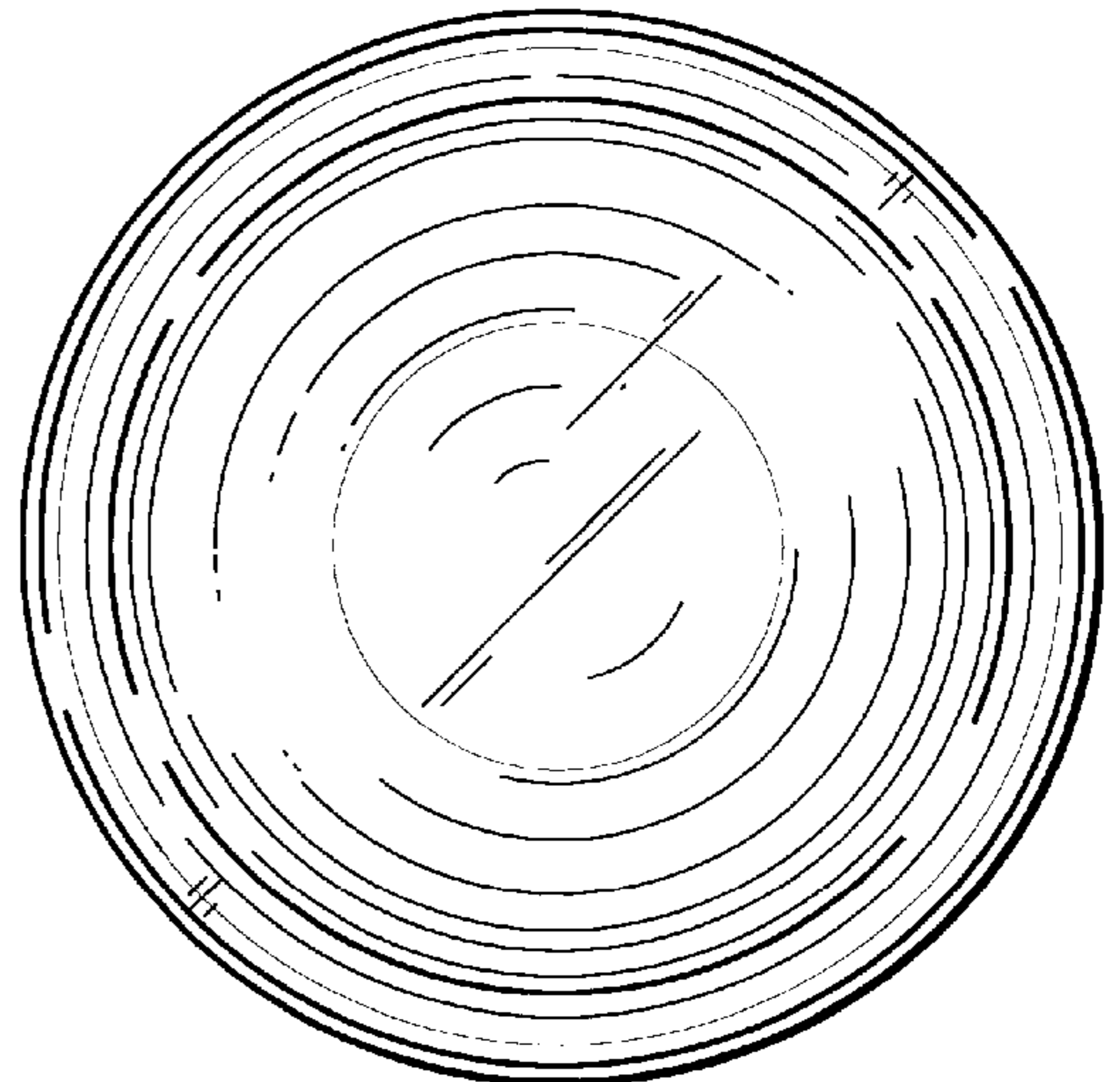


FIG. 4

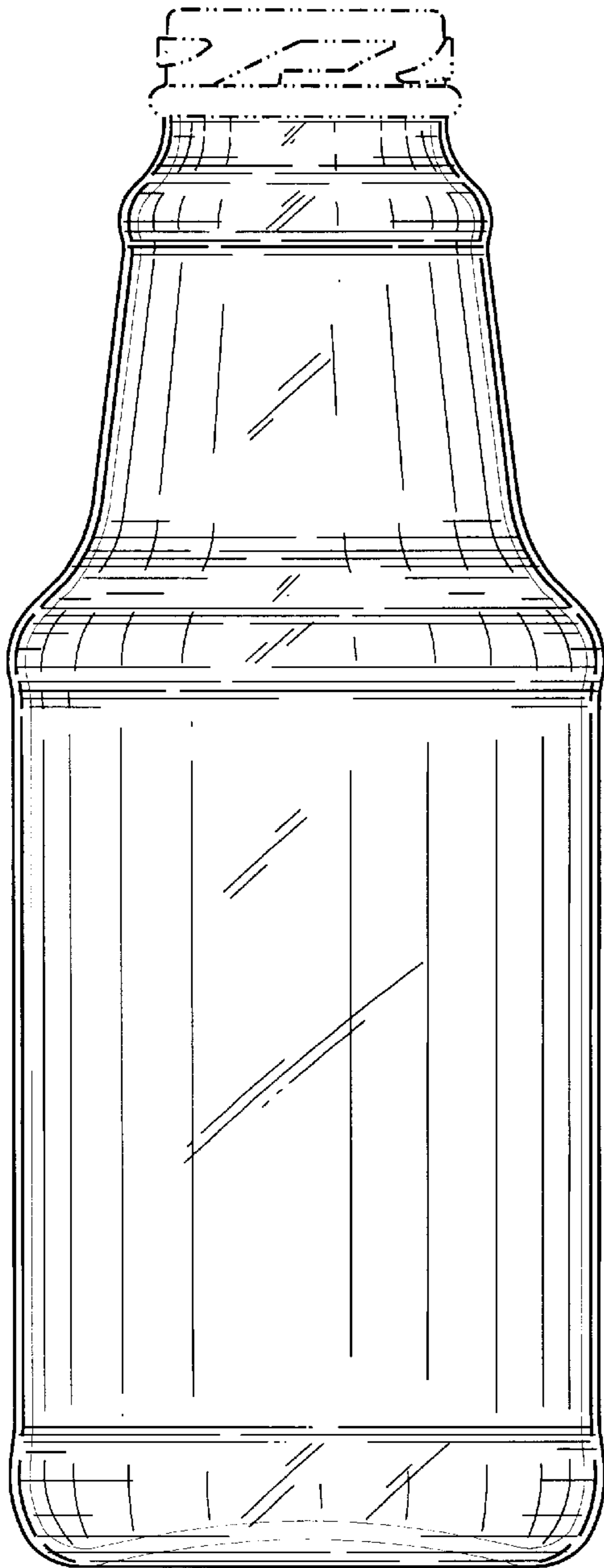


FIG. 5

